

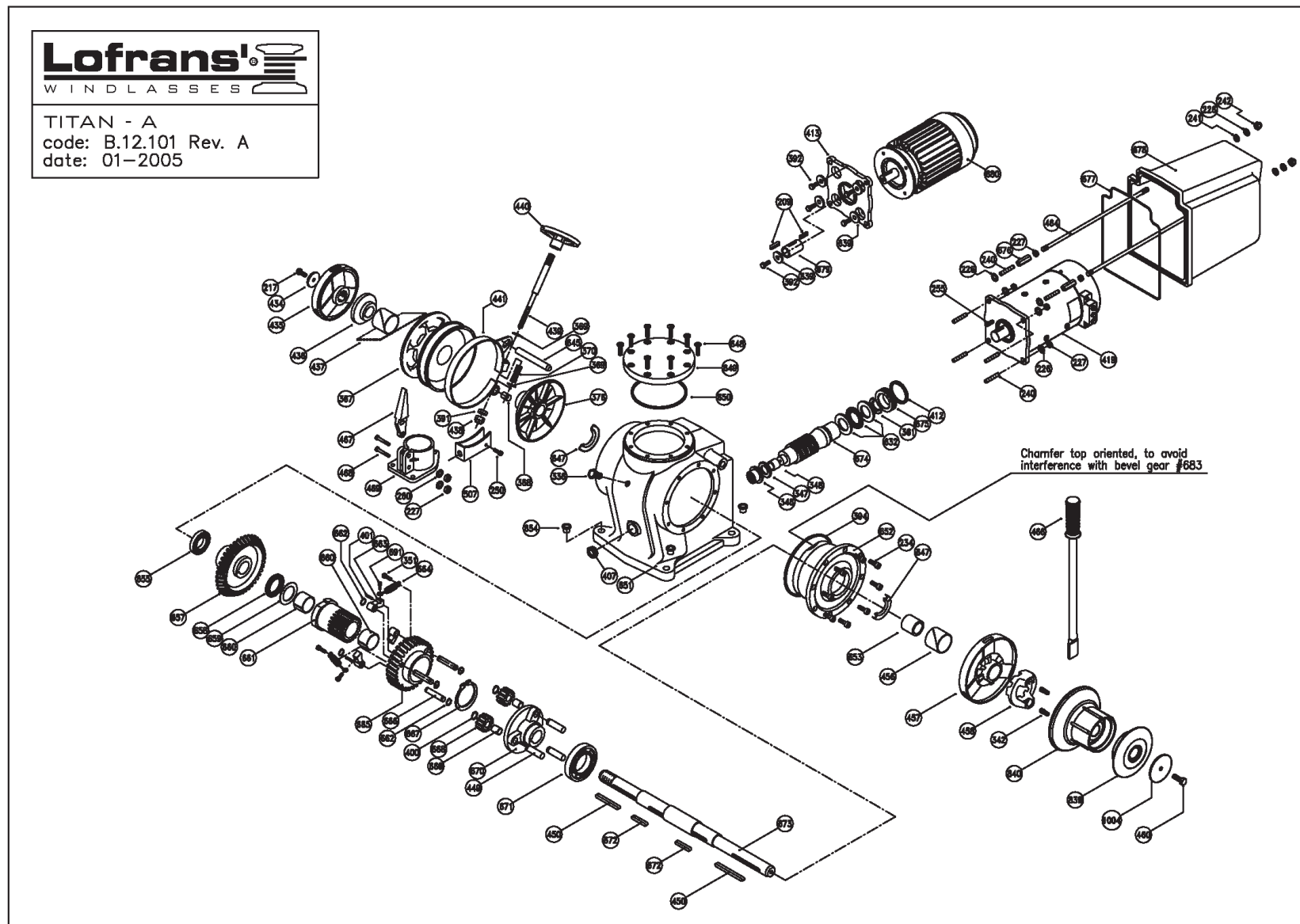
9 LISTA PARTI

9 PART LIST

9 LISTE DE PIECES

9 LISTA PARTI

9 LISTA PARTI



9 LISTA PARTI

9 PART LIST

9 LISTE DE PIECES

9 LISTA PARTI

9 LISTA PARTI

TITAN - A

Item	Description	Kit	Q.ty	Item	Description	Kit	Q.ty
209	Key - 6x6x30	Kit C	2	659	Thrust ring - CP 4080		1
217	Hex hd screw M8x20	Kit B	1	660	Bush		2
226	Washer for screw M8	Kit B	8	661	Ratchet wheel		1
227	Nut - M8	Kit B	8	662	Circlip - 12 Din 471	Kit D	6
234	Hd cap screw - M8x20	Kit B	8	663	Pawl		3
240	Stud - M8x45		6	664	Spring		3
241	Nylon washer M8	Kit B	2	665	Wormwheel		1
242a	Cap nut M8	Kit B	2	666	Pivot		3
250	Hd cap screw - M5x8	Kit B	1	667	Circlip - 68 Din 471	Kit D	1
255	Key - 6x6x25	Kit C	1	668	Gear		3
260	Spring washer for screw M8	Kit B	2	669	Bush		3
336	Oil plug 3/8"		1	670	Gear flange		1
342	Spring		2	671	Bearing - 6011		1
346	Combined bearing - Raw. 720		1	672	Key - 8x7x50	Kit C	2
347	Thrust ring - CP 32085		1	673	Main shaft		1
348	Ring IM 1520164		1	674	Worm		1
351	Hd cap screw - M6x20	Kit B	3	675	Spacer		1
361	Seal - 40x50x5	Kit A	1	676	Spacer		2
367a	Gipsy chain 8 Iso		1	677	Gasket		1
367b	Gipsy chain 10 Iso - 3/8" G40		1	678a	Motor cover		1
367c	Gipsy chain 3/8" Din 766 - BBB - 10 Din 766		1	678b	White motor cover		1
367d	Gipsy chain 1/2" Iso - 13 Din 766 - 1/2" Din 766		1	679	Coupling		1
367e	Gipsy chain 1/2" G40		1	680	A.C. Electric motor		1
367f	Gipsy chain 1/2" BBB		1	681	Hd cap screw - M5x12	Kit B	3
367g	Gipsy chain 1/4 Iso		1	639a	Chromed bronze drum-upper part		1
367h	Gipsy chain 10 Iso		1	640	Chromed bronze drum-lower part		1
367i	Gipsy chain 3/8" G40		1	1004	Washer		1
368	Pivot		1				
369	Washer for screw M10	Kit B	2	KA12101	Kit A - Seals		1
370	Spring		1	KB12101	Kit B - Screw&Nuts		1
376	Clutch cone - inner		1	KC12101	Kit C - Keys		1
391	Nut - M10	Kit B	1	KD12101	Kit D - Circlips		1
392	Hex hd screw M8x25	Kit B	5				
394	O Ring seal - 4625	Kit A	1				
400	Circlip - 15 Din 471	Kit D	3				
401	Pivot		3				
407	Sightglass		1				
412	O Ring seal - 153	Kit A	1				
413	Coupling flange		1				
419	Electric motor 2000W/24V		1				
434	Washer	Kit B	1				
435	Wingnut		1				
436	Clutch cone - outer		1				
437a	Nylon band for chain 08		1				
437c	Nylon band for chain 010		1				
438	Safety nut M10	Kit B	1				
439	Brake pivot		1				
440	Hand-wheel		1				
441	Band brake		1				
449	Pivot		3				
450	Key - 8x7x80	Kit C	2				
456	Nylon bush		1				
457	Emergency wheel		1				
458	Dog clutch		1				
460	Hex hd screw M10x20	Kit B	1				
464	Stud - M6x285		2				
466	Handle		1				
467	Stripper		1				
468	Hex hd screw M8x40	Kit B	2				
469	Chain pipe		1				
507a	Brake cover		1				
632b	Thrust bearing - 51108		1				
639	Washer for screw M8	Kit B	5				
645	Brake pivot		1				
647	Seal - 35x65x10	Kit A	2				
648	Hd cap screw - M8x20	Kit B	8				
649	Cover		1				
650	Gasket		1				
651	Body		1				
652	Rack		1				
653	Spacer		1				
654	Nylon bush		4				
655	Bearing - 6207		1				
657	Bevel gear		1				
658	Thrust bearing - AX 4060		1				

B.12.101 - Rev. A Date: 01-2005