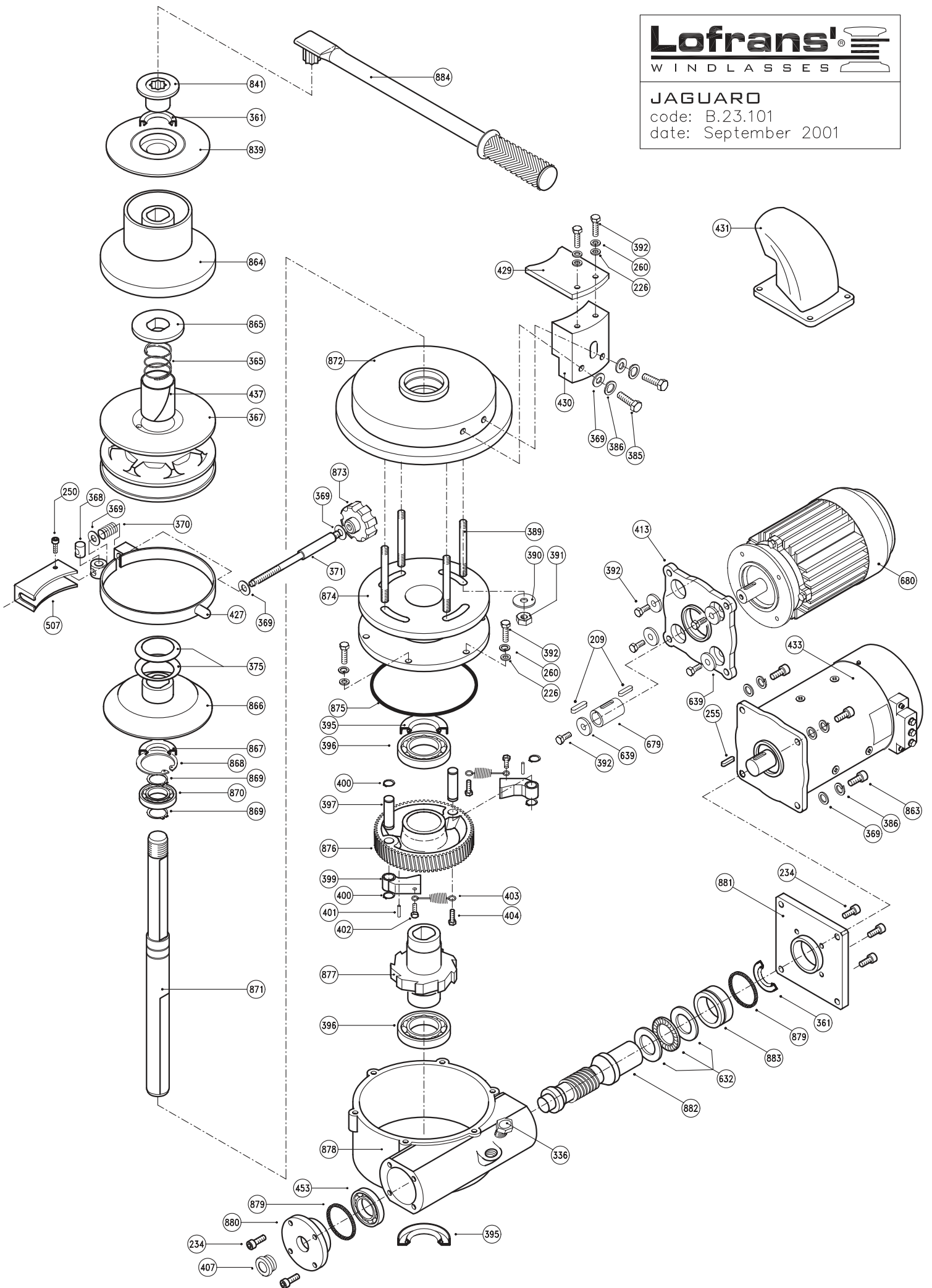


## JAGUARO

code: B.23.101

date: September 2001



## JAGUARO PARTS LIST

<i>Item</i>	<i>Description</i>	<i>Qty</i>	<i>Item</i>	<i>Description</i>	<i>Qty</i>
209	Key 6x6x30	2	679	Coupling	1
226	Washer M8 Uni 6592	8	680a	Electric motor A.C. ph 3 V 380 Kw 2,2 Hz	1
234	Hd cap screw M8x20 Uni 5931	4	680b	Electric motor A.C. ph 1 V 220 Kw 3,6 Hz	1
250	Hd cap screw M5x8 Uni 5931	1	839a	Chromed bronze drum-upper part	1
255	Key 6x6x25	1	841	Clutch nut	1
260	Spring washer M8 Uni 1751	8	864	Chromed bronze drum-lower part	1
336	Oil plug 3/8"	1	865	Clutch cone - outer	1
350	Round key 4x6.5	1	866	Clutch cone - inner	1
361	Viton Seal 40-50-5 - 2000 W motor	1	867	Seal 40-68-10	1
365	Spring	1	868	Circlip 68 Din 472	1
367b	Gipsy chain 10-3/8" HT	1	869	Circlip 40 Din 471	2
367c	Gipsy chain 10 Din 766-3/8" Din 766-BBB	1	870	Bearing 6008	1
367d	Gipsy chain 12-13 Din 766-1/2"	1	871	Main shaft	1
367e	Gipsy chain 1/2" HT	1	872	Base	1
367f	Gipsy chain 1/2" BBB	1	873	Knob	1
367g	Gipsy chain 14	1	874	Gearcase - upper	1
368	Pivot	1	875	O Ring seal 4800	1
369	Washer for M10 Uni 6592	5	876	Wormwheel	1
370	Spring	1	877	Ratchet wheel	1
371	Brake pivot	1	878	Gearcase - lower	1
375	Dished plane spring	2	879	O Ring seal 159	2
385	Hex hd screw M10x30 Uni 5739	2	880	Sightglass flange	1
386	Spring washer M10 Uni 1751	2	881	Motor flange	1
389b	Stud M10x170	4	882	Worm	1
390	Washer 10,5-40-4	4	883	Spacer	1
391	Nut M10 Uni 5587	4	884	Handle	1
392	Hex hd screw M8x25 Uni 5739	13	639	Washer 8,4-24-2	5
395	Seal 50-70-10	2	KA23101	Kit A - Seals for Jaguaro	1
396	Bearing 16010	2	KB23101	Kit B - Screw&Nuts for Jaguaro	1
397	Pivot	2	KD23101	Kit D - Circlips for Jaguaro	1
399	Pawl	2			
400	Circlip 15 Din 471	4			
401	Pin	2			
402	Hex hd screw M6x16 Uni 5739	2			
403	Spring	2			
404	Hex hd screw M6x25 Uni 5739	2			
407	Sightglass	1			
427	Band brake	1			
429a	Stripper for #367 type b-c-d-e-f gipsy	1			
429b	Stripper for #367 type g gipsy	1			
430a	Stripper support for #367 type b-c-g gipsy	1			
430b	Stripper support for #367 type d-e-f gipsy	1			
431	Chain pipe	1			
433	Electric motor 2500 W 24 V	1			
437a	Nylon band	1			
437b	Nylon band	1			
437c	Nylon band	1			
453	Bearing 6206	1			
507b	Brake cover	1			
632	Thrust bearing 51108	1			