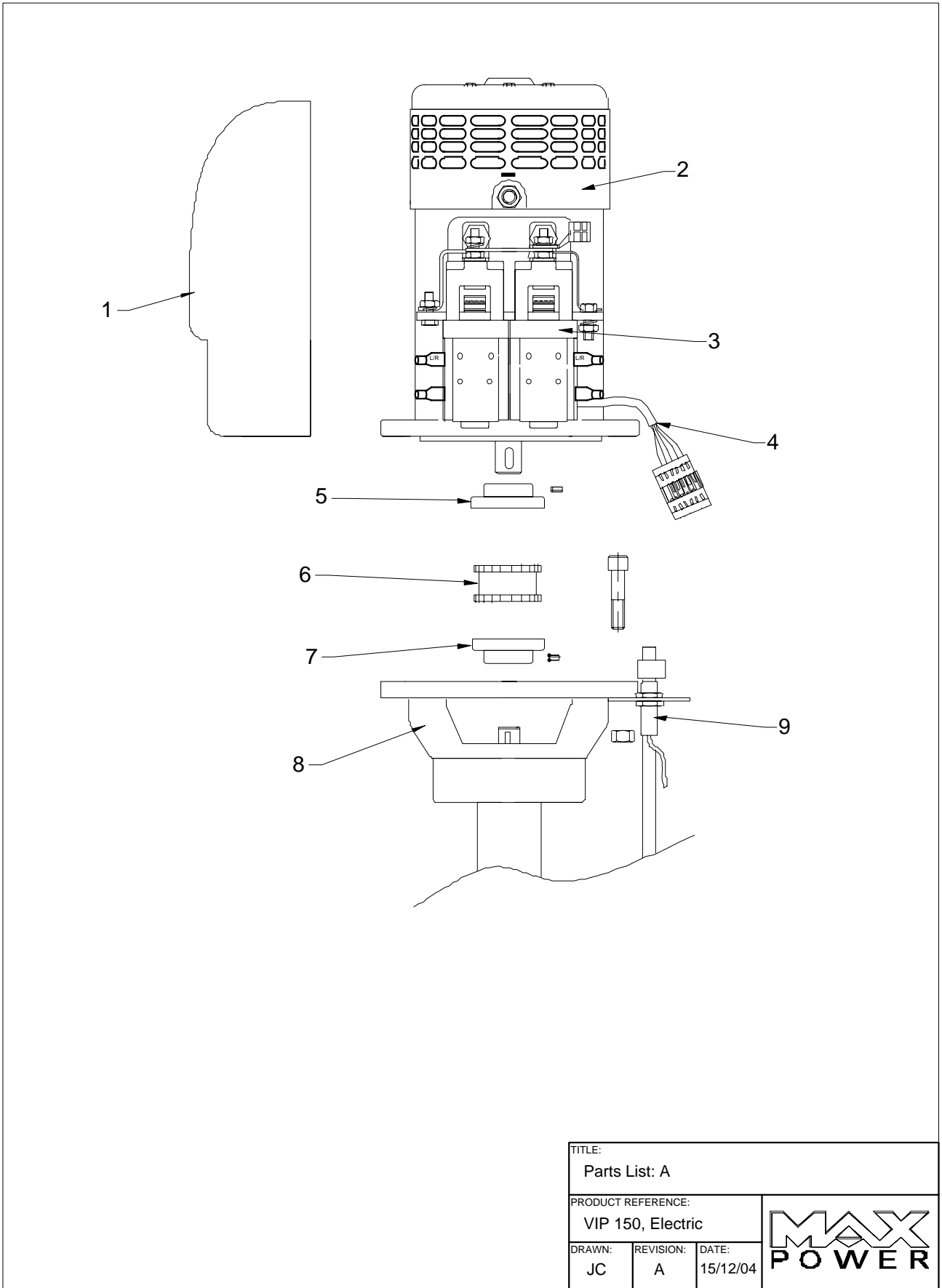



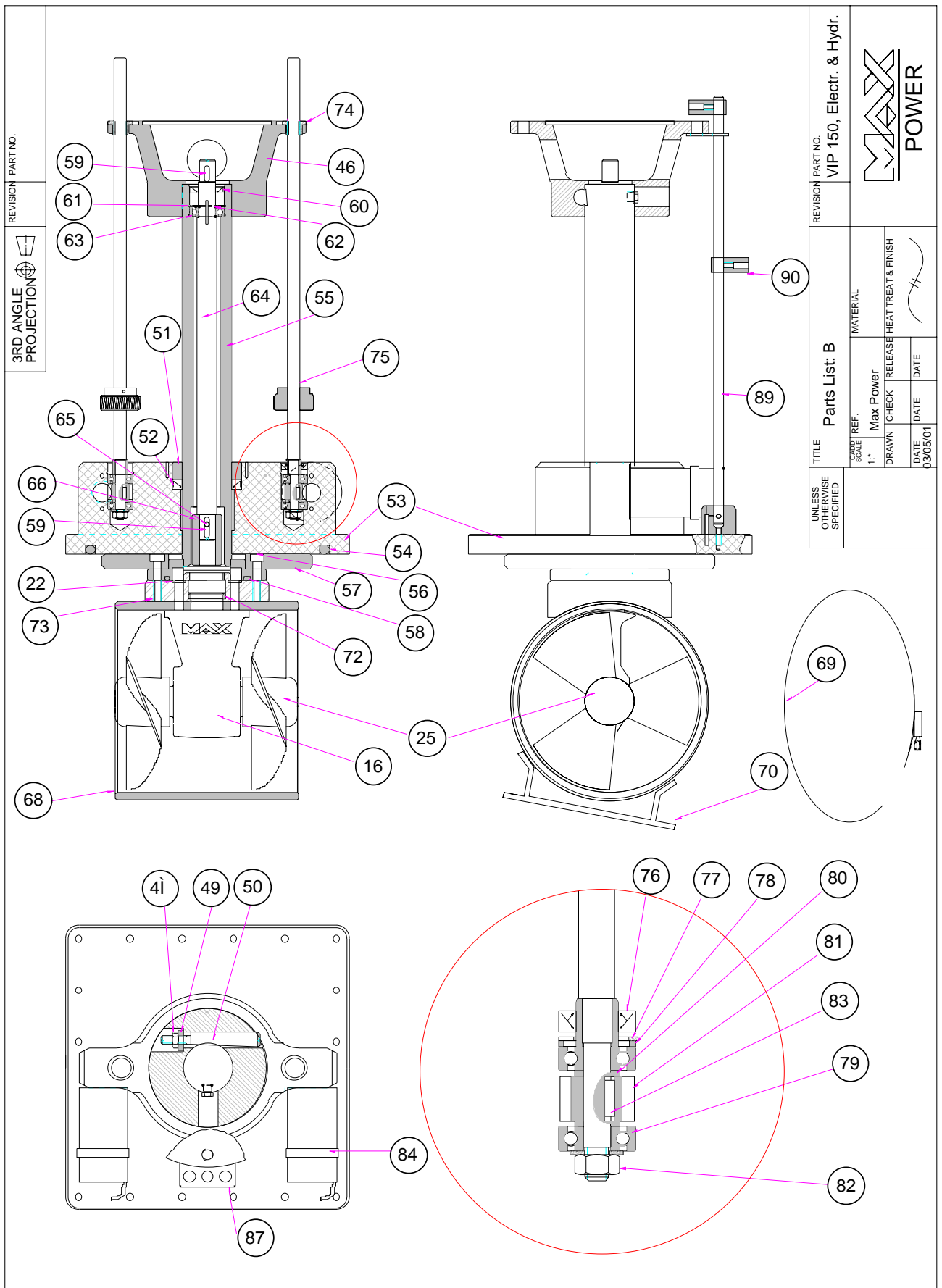
8.5 WIRING OF ADDITIONAL CONTROL PANELS FOR VIP THRUSTERS:**9. PARTS LISTS & DIAGRAMS :****9.1 PARTS LIST & DIAGRAM: A**

N°	DESCRIPTION:	Qty.	'C@'7C89:	NEW CODE :
1	Motor Relay Cover	1	MP082021	313735
2	Electric Thruster Motor 12V	1	MP083010	312869
2	Electric Thruster Motor 24V	1	MP083011	312871
3	Complete Thruster Relay 12V	1	MP083053	315328
3	Complete Thruster Relay 24V	1	MP083054/2	315329
4	Motor/Relay Wiring Loom	1	VP088051	635660
5	Coupling Motor Side	1	MPOP5140	-
6	Rubber Coupling	1	MPOP5150	634168
7	Coupling Drive Leg Side	1	MPOP5130	634164
8	Motor Support	1	MP085030	313714
9	Proximity Switch	2	OPTI3350	312787



TITLE:			
Parts List: A			
PRODUCT REFERENCE:			
VIP 150, Electric			
DRAWN:	REVISION:	DATE:	
JC	A	15/12/04	

9.2 PARTS DIAGRAM: B



9.3 PARTS LIST: B

#	Description	Qt	Old Code	New Code:
16	Composite Leg	1	MP088100	
22	Leg Bolts	2	MPOP 5340	16. 35035
25	Propeller	2	MPOP 5230	22. 634204
26	Propeller Grub Screw	2	OPTI 4040	25. 35031
27	Propeller Pin	2	MPOP 5220	26. 634518
48	Nyloc Nut 8mm	1	VPO8 4190	27. 312054
49	Machine Washer	1	VPO8 5390	48. 635604
50	Coter Pin	1	VPO8 5380	49. 635628
51	Water Gland Retaining Ring	1	VPO8 5400	50. 635627
52	Water Gland	1	VPO8 5490	51. 310136
53	Sliding Shaft Plate	1	VPO8 5330	52. 310263
54	Shaft Plate O - Ring	1	VPO8 5460	53. 635623
55	Sliding Shaft	1	VPO8 5310	54. 310251
56	Sliding Shaft Bolt	2	VPO8 4100	55. 635621
57	Torque Transmission Plate	1	VPO8 5320	56. -
58	Sliding Shaft O - Ring	1	VPO8 5450	57. 311334
59	Shaft Key	1	VPO8 5420	58. 310139
60	Drive Shaft Oil Seal	1	VPO8 5480	59. 312018
61	Circlip	1	VPO8 5500	60. 310232
62	Circlip	1	VPO8 5510	61. 312012
63	Shaft Bearing	1	VPO8 5470	62. 312008
64	Drive Shaft	1	VPO8 5300	63. 310338
65	Grub Screw	2	VPO8 4140	64. 635620
68	Propeller Housing	1	VPO8 2020	65. -
69	Tunnel Clamp	2	VPO8 5530	68. 315854
70	Closing Trap Support Plate	1	VPO8 5580	69. -
71	BS Seal	2	VPO8 5430	70. 311349
72	O - Ring	1	VPO8 5440	71. 310132
73	Adapter	1	VPO8 5350	72. 310138
74	Drive Nut	2	VP085004	73. 310101
75	Drive Screw	2	VP084042	74. 312047
76	Seal	2	VP085008	75. -
77	Circlip	2	VP085003	76. 310230
78	End Float Spacer	2	VP085005	77. 312011
79	Screw Bearing	4	VP085001	78. 310133
80	Washer	4	VP085007	79. 310346
81	Wheel	2	VP085000	80. 310356
82	Nut 8mm	2		81. 310359
83	Drive Screw Key	2	VP085010	82. -
84	Electric Motor 12V	2	RT203121	83. 312016
85	Electric Motor 24V	2	RT203122	84. 312861
86	Motor Screw 4 mm	4	VP084160	85. 312864
87	Position Switch Holder	1	VP085620	86. 635600
89	Position Detector Rod	1	VP085581	87. 311351
90	Position Detector	2	VP083200	89. 311358
				90. 310162

Last Update: July 2013 by Service Manager/Lalizas Group.
Please refer to the new codes for your order.