

SHURFLO® LO-FLO 105 SERIES RV PUMPS

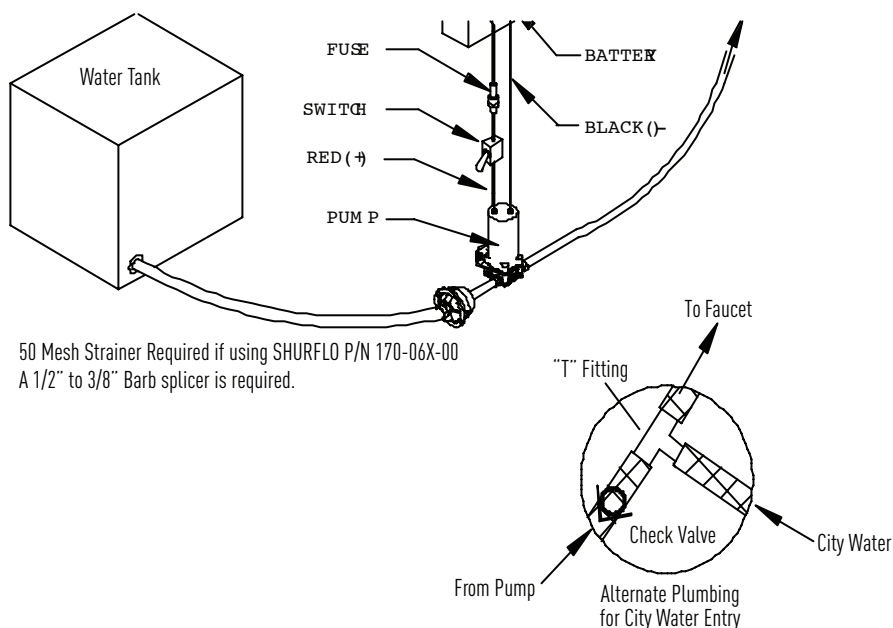
INSTALLATION MANUAL

SHURFLO Lo-Flo 105 Series RV pumps are rugged, lightweight, compact and provide the ability to self-prime and run dry. Standard features include a pressure demand switch, built in 3/8" hose barb ports, flexible mounting feet, splash proof motor, and thermal protector. All with the security that comes with a UL Recognized Component.

INSTALLATION

SHURFLO Lo-Flo 105 Series RV pumps are self-priming and can be located up to 2.5 feet above the water level. Horizontal and vertical prime vary depending on the fluid viscosity and pump configuration. The pump can be at the same level or below the tank.

- The pump should be located in an area that is dry and properly ventilated to prevent heat build-up.
- Use 50-mesh strainer minimum at the inlet side of the pump. Use flexible hose on inlet.
- The pump can be mounted in any position. However, if mounting the pump vertically the pump head should be in the down position so that in the event of a leak, fluid will not enter the motor.
- 12 Volt pump must be provided with a 5-amp fuse.
- Recommended wire size is 16 gauge (1.3 mm) or larger wire as determined by voltage drop. Negative (-) must be connected to a known ground. Ground wire must be the same (gauge/mm) as the positive.



50 Mesh Strainer Required if using SHURFLO P/N 170-06X-00
A 1/2" to 3/8" Barb splicer is required.

TROUBLESHOOTING

PUMP WILL NOT START

- ✓ For correct voltage (+10%) and electrical connections
- ✓ Fuse or breaker
- ✓ Pressure switch operation and correct voltage at switch
- ✓ Rectifier or motor for open or grounded circuit
- ✓ For locked drive assembly

PUMP WILL NOT PRIME (No Discharge/Motor Runs)

- ✓ Strainer for debris
- ✓ Inlet/Outlet tube severely restricted (kinked)
- ✓ Inlet /Outlet valves for debris or swelling

PUMP WILL NOT SHUT-OFF

- ✓ Output line closed and no leaks
- ✓ For air trapped in outlet line or pump head
- ✓ For correct voltage to pump
- ✓ Debris in pump Inlet/Outlet valves
- ✓ For loose drive assembly or pump head screws
- ✓ Pressure switch operation/adjustment

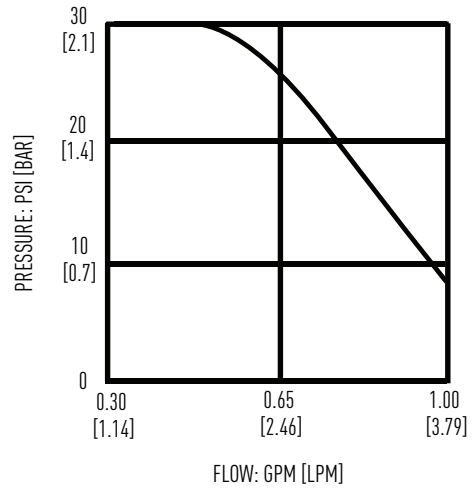
LEAKS FROM PUMP HEAD OR SWITCH

- ✓ For loose screws at switch or pump head
- ✓ Switch diaphragm ruptured or pinched
- ✓ For punctured diaphragm if fluid is present at drain holes

Plumbing Systems can vary.
Consult SHURFLO for detailed information.

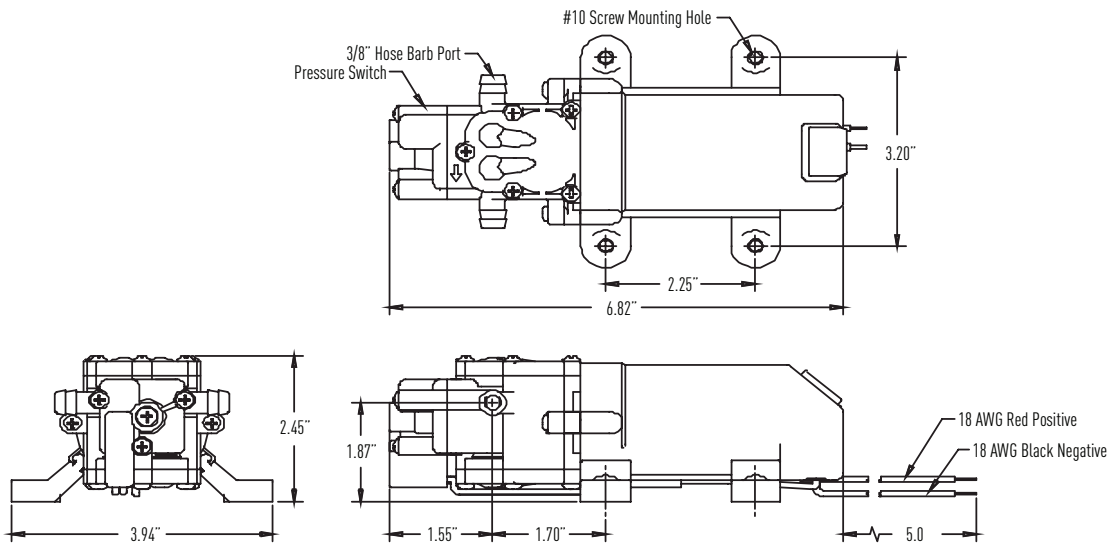
PRODUCT SPECIFICATIONS

Model Number:	105 Series
Pump Design:	Positive Displacement Pump
Motor:	Placement Magnet, 11-262-00
Voltage:	12 VDC
Pressure Switch:	Factory Set: 30 PSI Shut-off, Turn-on 25+/- 5 PSI
Liquid Temperature:	100° Max F [43° C]
Prime:	Self Priming up to 2.5 ft. vertical
Ports:	3/8" Barb
Net Weight:	1.27 lbs.
Duty Cycle:	Intermittent
Max Amps:	105-003, 2.5 Amps @ 30 PSI



MATERIALS OF CONSTRUCTION

Motor Housing:	Nylon
Plastic:	Polypropylene
Valves:	EPDM
Diaphragm:	Santoprene
Fasteners:	Zinc Plated / Stainless Steel



WATER PURIFICATION

3545 HARBOR GATEWAY SOUTH, SUITE 103, COSTA MESA, CA 92626, (800) 854-3218 WWW.SHURFLO.COM

All Pentair trademarks and logos are owned by Pentair, Inc. All other brand or product names are trademarks or registered marks of their respective owners. Because we are continuously improving our products and services, Pentair reserves the right to change specifications without prior notice. Pentair is an equal opportunity employer.