

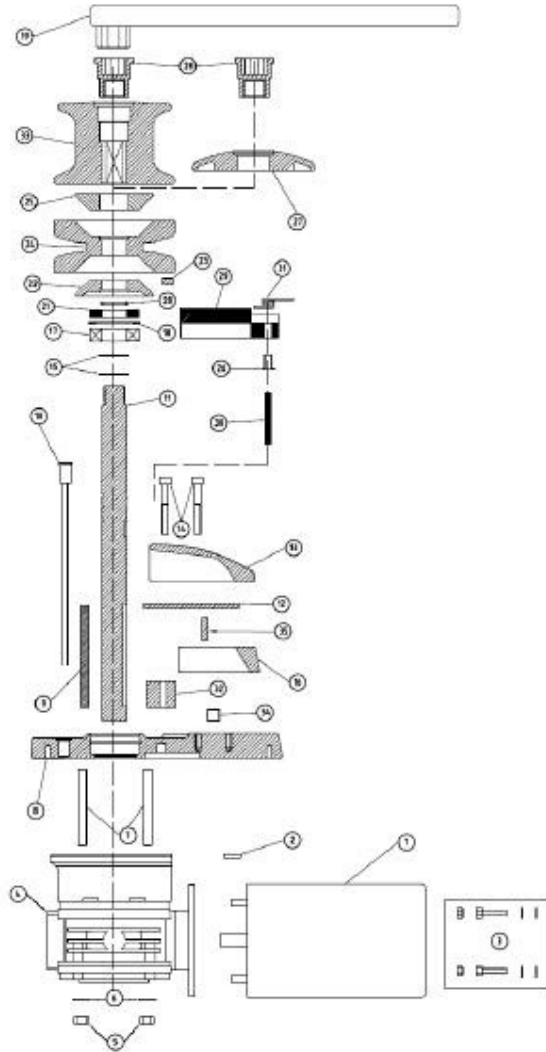
**9 LISTA PARTI THUNDER /
THUNDER LUX**

**9 PART LIST THUNDER /
THUNDER LUX**

**9 LISTE DES PIECES THUNDER /
THUNDER LUX**

**9 BAUTEILE-LISTE THUNDER /
THUNDER LUX**

**9 PARTES THUNDER /
THUNDER LUX**



REF.	Q.TY	DESCRIPTION	THUNDER CODES	THUNDER LUX CODES
1A	1	1000W 12V MOTOR	100130	100130
1B	1	1400W 12V MOTOR	100158	100158
1C	1	1000W 24V MOTOR	100172	100172
1D	1	1400W 24V MOTOR	100173	100173
2	1	KEY	100150	100150
3	1	MOTOR FASTENING KIT	100153	100153
4	1	GEARBOX	100151	100151
5	4	NUT	100105	100105
6	4	WASHER	100106	100106
7	4	TUD	100155	100155
8	1	BASE	1000260	1000263
9	1	KEY	100119	100119
10	1	SENSOR	100108	100108
11A	1	SHAFT W/GIPSY ONLY	1000112	1000112
11B	1	SHAFT W/DRUM	1000113	1000113
12	1	CAIN STRIPPER	1000111	1000111
13	1	COVER	1000261	1000264
14	3	SCREW	100109	100109
15	2	RETAINING RING	100120	100120
16	1	BEARING	100122	100122
17	1	RETAINING RING	100123	100123
18	1	WRENCH	1000120	1000120
19	1	RETAINING RING	100129	100129
20	1	OIL SEAT	100124	100124
21	1	LOWER CLUTCH	1000103	1000103
22	1	MAGNET	100115	100115
23A	1	GIPSY LINK SIZE 6	1000110	1000110
23B	1	GIPSY LINK SIZE 8	1000108	1000108
23C	1	GIPSY LINK SIZE 10 ISO	1000121	1000121
23D	1	GIPSY LINK SIZE 10 DIN766	1000109	1000109
24	1	UPPER CLUTCH	1000104	1000104
25	1	BUSH	100127	100127
26	1	GIPSY COVER	1000117	1000117
27	1	LOCKING WHEEL	1000106	1000106
28	1	FINGER	1000262	1000262
29	2	PIN	100128	100128
30	1	SPRIG	1000107	1000107
31	1	INSERT	1000115	1000115
32	1	DRUM	1000114	1000118
33	1	OIL SEAL	100238	100238
34	1	PIN	100139	100139
35	1	SCREW	100221	100221