

Hygiene & Sanitation  
2018

# REPLACEMENT PARTS GUIDE



VACUFLUSH &  
SANITATION PRODUCTS

Mobile living made easy.

 **DOMETIC**





## How to find your part.

This is an explanation to help you find the part you are in need of.

Pages are a product index. See guidance below to find the part number you need.

### Model Number

For Toilets, this number can be found on a sticker on the base of the toilet.  
For all other products, this number can be located on the serial number label.

### Item Number

This is the number used when ordering the finished product.  
This number can be found on your invoice or the product literature that came with your product.  
It is a 9 digit number, however if you have the last 6 numbers we can find your product when you call customer service.

### Reference Number

Every parts list at SeaLand has a part number. The reference number is the last 4 digits of the parts list part number.

### Page Number

This is the page you can find the parts list for your product. It is a break down of the product so you can find the replacement part you need.

### Prices

Prices can be found in a separate guide. Replacement Parts Price List.

### For more information:

Contact your dealer, distributor or Dometic Sanitation Customer Service.



13128 State Route 226

Big Prairie, Ohio 44611 USA

Phone 330.439.5550

Fax 330.496.3097



Email [sanitationorders@dometic.com](mailto:sanitationorders@dometic.com)

Web [www.dometic.com](http://www.dometic.com)



© Registered; ™ Trademark of Dometic Corporation  
© Dometic Corporation

## Portable Toilets ▼ Dometic

### 960 Toilet Series ★


Item	Model	Description	Ref. List #	Page	
301096202	962	TOILET PRTBL 962-PARCH	960	15	 
301096206		TOILET PRTBL 962-PLAT			
311096402	964	TOILET PRTBL 964-PARCHMENT			
311096406		TOILET PRTBL 964-PLATINUM			
311196402	964 MSD	TOILET PRTBL 964MSD-PARCHMENT			
311196406		TOILET PRTBL 964MSD-PLATINUM			
301096602	966	TOILET PRTBL 966-PARCH			
301096606		TOILET PRTBL 966-PLAT			
311096502	965	TOILET PRTBL 965-PARCHMENT			
311096506		TOILET PRTBL 965-PLATINUM			
311196502	965 MSD	TOILET PRTBL 965MSD-PARCHMENT			
311196506		TOILET PRTBL 965MSD-PLATINUM			

### 970 Toilet Series ★

Item	Model	Description	Ref. List #	Page	
301097202	972	TOILET PRTBL 972 - TAN	970	16	 
301097206		TOILET PRTBL 972 - GRAY			
301097402	974	TOILET PRTBL 974-TAN			
301097406		TOILET PRTBL 974-GRAY			
301197402	974 MSD	TOILET PRTBL 974MSD-TAN			
301197406		TOILET PRTBL 974MSD-GRAY			
301097602	976	TOILET PRTBL 976 - TAN			
301097606		TOILET PRTBL 976 GRAY			
301097502	975	TOILET PRTBL 975-TAN			
301097506		TOILET PRTBL 975-GRAY			
301197502	975 MSD	TOILET PRTBL 975MSD-TAN			
301197506		TOILET PRTBL 975MSD-GRAY			



## Toilets ▼ RushFlush

### 9300 - 9400 Toilet Series ★


Item	Model	Description	Ref. List #		
330933111	9300	RUSHFLUSH 9300 ABOVE FLOOR DISCHARGE	6797	17	
330933131		RUSHFLUSH 9300 THRU FLOOR DISCHARGE	6749	18	
330943110	9400	RUSHFLUSH 9400 ABOVE FLOOR DISCHARGE	6799	19	
330943130		RUSHFLUSH 9400 THRU FLOOR DISCHARGE	6798	20	
330964001	9640	RUSHFLUSH 9640-TT/SP/AB/24/TPB/SP/BONE/X <b>OBSOLETE</b>	6910	21	
330964002		RUSHFLUSH 9640-TT /SP/AB/24/TPB/SP/WHT/X			
330984001	9840	RUSHFLUSH 9840-TT /SP/AB/24/TPB/SP/BNE/X	7173	22	
330984002		RUSHFLUSH 9840-TT /SP/AB/24/TPB/SP/WHT/X			

## Gravity All China Toilets ▼ SeaLand


### 3000 Toilet Series ★ Obsolete

Item	Model	Description	Ref. List #		
302301011	3010	MAGNUM OPUS 3010 - WHITE <b>OBSOLETE</b>	4847	23	 
302301013		MAGNUM OPUS 3010 - BONE <b>OBSOLETE</b>			
302301111	3011	MAGNUM OPUS 3011 - WHITE <b>OBSOLETE</b>	4848	24	
302301113		MAGNUM OPUS 3011 - BONE <b>OBSOLETE</b>			
302311011	3110	MAGNUM OPUS 3110 - WHITE <b>OBSOLETE</b>	4962	25	
302311013		MAGNUM OPUS 3110 - BONE <b>OBSOLETE</b>			
302132061	3210	CONCERTO 3210 - WHITE <b>OBSOLETE</b>	4958	26	
302132063		CONCERTO 3210 - BONE <b>OBSOLETE</b>			
302133061	3310	CONCERTO 3310 FL - WHITE <b>OBSOLETE</b>	4959	27	
302133063		CONCERTO 3310 FL - BONE <b>OBSOLETE</b>			
302134061	3410	CONCERTO 3410 WS - WHITE <b>OBSOLETE</b>	4960	28	
302134063		CONCERTO 3410 WS - BONE <b>OBSOLETE</b>			

### 4300 -4400 Toilet Series ★


Item	Model	Description	Ref. List #		
302431111	4300	4310-GT ALL CHINA,12V,Wood Seat, White/Chrome Flush Handle	6469	29	
302431131		4310-GT ALL CHINA,12V,Wood Seat,Bone/Chrome Flush Handle			
302441110	4400	4410-GT ALL CHINA,12V., Wood Seat, White, Wall Switch Flush		30	
302441130		4410-GT ALL CHINA,12V., Wood Seat, Bone, Wall Switch Flush			

### 4800 Toilet Series ★ (Angle back)


Item	Model	Description	Ref. List #		
302481510	4800	4810-GT/12/SC/-/SP/WHT	6757	31	
302481110		4811-GT/12/WS/-/SP/WHT	6667	32	

## Gravity 2 - pc. Toilets ▼ SeaLand

### 500 Toilet Series ★

Item	Model	Description	Ref. List #	Page	
302510481	510H	510H-WS /RT/WHITE <b>OBSOLETE</b>	5632	33	
302510483		510H-WS /RT/BONE <b>OBSOLETE</b>			
302651101	511H	511H- WHITE	4156	34	
302651103		511H- BONE			
302651001	510+	510+- WHITE	4139	35	
302651003		510+- BONE			
302510001	510HPS	510HPS- WHITE	5837	36	
302510003		510HPS- BONE			
302510221	510PS	510PS-WS /SP/WHITE	6200	37	
302510223		510PS-WS /SP/BONE			
302511221	511PS	511PS-WS /SP/WHITE	6200	38	
302511223		511PS-WS /SP/BONE			



### 5000 Toilet Series ★

Item	Model	Description	Ref. List #	Page	
302501001	5000	TRAVELER 5010 WHITE	5807	39	
302501101		TRAVELER 5011 WHITE		40	

### 300 Toilet Series ★


Item	Model	Description	Ref. List #	Page	
302300011	300	300-SS /SP/WHITE	6816	41	
302300013		300-SS / SP/BONE			
302300011		300-SS /SP/WHITE w/hand spray		42	
302300013		300-SS / SP/BONE w/hand spray			
302301611	301	301-SS /SP/WHITE	7283	43	
302301613		301-SS / SP/BONE			
302301611		301-SS /SP/WHITE w/hand spray		44	
302301613		301-SS / SP/BONE w/hand spray			

### 310 Toilet Series ★


Item	Model	Description	Ref. List #	Page	 
302310011	310	310-TALL-WHITE	6224	45	
302310013		310-TALL-BONE			
302310111		310-TALL-WHITE w/hand spray		46	
302310113		310-TALL-BONE w/hand spray			
302310031		310-TALL-WHITE-SLOW CLOSE	7346	47	
302310033		310-TALL-BONE-SLOW CLOSE			
302310131		310-TALL-WHITE-SLOW CLOSE w/hand spray		48	
302310133		310-TALL-BONE-SLOW CLOSE w/hand spray			
302310021		310-TALL-WHITE-WOOD SEAT	6868	49	
302310023		310-TALL-BONE-WOOD SEAT			
302310121		310-TALL-WHITE-WOOD SEAT w/hand spray		50	
302310123		310-TALL-BONE-WOOD SEAT w/hand spray			
302311611	311	311-LO PROFILE-WHITE	7271	51	
302311613		311-LO PROFILE-BONE			
302311711		311-LO PROFILE-WHITE w/hand spray		52	
302311713		311-LO PROFILE-BONE w/hand spray			
302311631		311-LO PROFILE-WHITE-SLOW CLOSE	7347	53	
302311633		311-LO PROFILE-BONE-SLOW CLOSE			
302311731		311-LO PROFILE-WHITE-SLOW CLOSE w/hand spray		54	
302311733		311-LO PROFILE-BONE-SLOW CLOSE w/hand spray			
302311621		311-LO PROFILE-WHITE-WOOD SEAT	7272	55	
302311623		311-LO PROFILE-BONE-WOOD SEAT			
302311721		311-LO PROFILE-WHITE-WOOD SEAT w/hand spray		56	
302311723		311-LO PROFILE-BONE-WOOD SEAT w/hand spray			

## Gravity 2 - pc. Toilets ▼ SeaLand

### 320 Toilet Series ★

Item	Model	Description	Ref. List #	Page	
302320021	320	320-TALL-WHITE	6276	57	
302320023		320-TALL-BONE			
302320121		320-TALL-WHITE w/hand spray		58	
302320123		320-TALL-BONE w/hand spray			
302321621	321	321-LOW PROFILE-WHITE	6657	59	
302321623		321-LOW PROFILE-BONE			
302321721		321-LOW PROFILE-WHITE w/hand spray		60	
302321723		321-LOW PROFILE-BONE w/hand spray			


### 110 - 111 Toilet Series ★ Obsolete

Item	Model	Description	Ref. List #	Page	
302611001	110	TRAVELER LITE 110 - WHITE(NP) <b>OBS</b>	4935	61	
302611003		TRAVELER LITE 110 - BONE(NP) <b>OBS</b>			
302611101	111	TRAVELER LITE 111 - WHITE <b>OBSOLETE</b>		62	
302611103		TRAVELER LITE 111 - BONE <b>OBSOLETE</b>			
302811101		TRAVELER LITE 111 - WOOD SEAT <b>OBS</b>	5408	63	
302011191		TRAVELER LITE 111 - SHT PEDAL <b>OBS</b>	5638	64	


### 130 Toilet Series ★ Obsolete

Item	Model	Description	Ref. List #	Page	
302713006	130-131	TRAVELER LITE 130S-PLATINUM - <b>OBS</b>	4691	65	
302713106		TRAVELER LITE 131-PLATINUM- <b>OBS</b>			


### 200 Toilet Series ★ Obsolete

Item	Model	Description	Ref. List #	Page	
302621001	210	TRAVELER LITE 210-WHITE <b>OBSOLETE</b>	4935	66	
302621003		TRAVELER LITE 210-BONE <b>OBSOLETE</b>			
302921001		TRAVELER LITE 210-WOOD SEAT - <b>OBS</b>	5408	67	


### 700 Toilet Series ★

Item	Model	Description	Ref. List #	Page	
312371101	711-M28	TRAVELER M28-711-WHITE	5212	68	
312371103		TRAVELER M28-711-BONE			

### 2000 Toilet Series ★ Obsolete


Item	Model	Description	Ref. List #	Page	
302421001	2010	TRAVELER 2010 - WHITE <b>OBSOLETE</b>	5281	69	
302421003		TRAVELER 2010 - BONE <b>OBSOLETE</b>			
302421101	2011	TRAVELER 2011 - WHITE <b>OBSOLETE</b>		70	
302421103		TRAVELER 2011 - BONE <b>OBSOLETE</b>			

### 900 Toilet Series ★ Obsolete


Item	Model	Description	Ref. List #	Page	
302491001	910	TRAVELER 910 - WHITE <b>OBSOLETE</b>	5280	71	
302491003		TRAVELER 910 - BONE <b>OBSOLETE</b>			
302491101	911	TRAVELER 911 - WHITE <b>OBSOLETE</b>		72	
302491103		TRAVELER 911 - BONE <b>OBSOLETE</b>			

## Macerator 2 - pc. Toilets ▼ MasterFlush


### 7120-7160 Toilet Series ★ 5000 Series Bowl

Item	Model	Description	Ref. List #	Page	
304712009	7120	7120-ST /WD/OP/12/--- /RT/WHT	7002	73	
304712010		7120-ST /WD/OP/12/--- /RT/BNE			
304712011		7120-ST /WD/OP/24/--- /RT/WHT			
304712012		7120-ST /WD/OP/24/--- /RT/BNE			
304712401	7124	7124-SLCW/12V/DFS1/SP/WHT	7397	74	
304712402		7124-SLCW/12V/DFS1/SP/BNE			
304712403		7124-SLCW/24V/DFS1/SP/WHT			
304712404		7124-SLCW/24V/DFS1/SP/BNE			
304716009	7160	7160-ST /WD/OP/12/--- /RT/WHT	7017	75	
304716010		7160-ST /WD/OP/12/--- /RT/BNE			
304716011		7160-ST /WD/OP/24/--- /RT/WHT			
304716012		7160-ST /WD/OP/24/--- /RT/BNE			
304716401	7164	7164-SLCW/12V/DGW/SP/WH	7398	76	
304716402		7164-SLCW/12V/DGW/SP/WH			
304716403		7164-SLCW/12V/DGW/SP/WH			
304716404		7164-SLCW/12V/DGW/SP/WH			
304716501	7165	7165-ST / WD / AB / 12 / --- /SP /WH	7240	77	

### 7220-7225-7260 Toilet Series ★ 100 Series Bowl


Item	Model	Description	Ref. List #	Page	
304722009	7220	7220-ST /WD/OP/12/--- /RT/WHT	7057	78	
304722010		7220-ST /WD/OP/12/--- /RT/BNE			
304722011		7220-ST /WD/OP/24/--- /RT/WHT			
304722012		7220-ST /WD/OP/24/--- /RT/BNE			
304722014		7220-ST /WD/AB/12/---/SP/WHT/X			
304722015		7220-ST /WD/AB/12/DF2/SP/WHT/X			
304722013		7220-ST /WD/OP/12/NOP/SP/WHT/X	7245	79	
304722501	7225	7225-ST /TP/AB/12/DF1/SP/WHT	7343	80	
304722503		7225-ST /TP/AB/24/DF1/SP/WHT			
304726009	7260	7260-ST /WD/OP/12/--- /RT/WHT	7058	81	
304726010		7260-ST /WD/OP/12/--- /RT/BNE			
304726011		7260-ST /WD/OP/24/--- /RT/WHT			
304726012		7260-ST /WD/OP/24/--- /RT/BNE			

### 7640 Toilet Series ★ (310 Series Bowl)


Item	Model	Description	Ref. List #	Page	
304764001	7640	7640-TT /WD/TF/12/FPD/SP/WHT	7248	82	
304764002		7640-TT /WD/TF/12/FPD/SP/BNE			

## Macerator All China Toilets ▼ MasterFlush

### 8100 Toilet Series ★


Item	Model	Description	Ref. List #	Page	
304810101	8101	8101-ASTRM/15A-/12/SW/--/SP/WH	6680	83	
324811011	8110	8110RV-TL/FLSW/SP/WH	6689	84	
304811101	8111	8111RV-SH/FLSW/SP/WH	6692	85	
304811201	8112	8112-WS/S-/15T-/12/SW/--/SP/WH	6354	86	
304811601	8116	8116-WS/S-/15T-/24/SW/--/SP/WH			
304812001	8120	8120-ST /WD/AB/12/81P/SP/WHT/X	7195	87	
304814001	8140	8140-TT /SP/OP/12/81P/SP/WHT/X	6994	88	
304815201	8152	8152-WS/T-/15T-/12/SW/--/SP/WH	6354	89	
304815601	8156	8156-WS/T-/15T-/24/SW/--/SP/WH			
304816501	8165	8165-TT/WD/AB/A2/81P/SP/WHT			

### 8600 Toilet Series ★ (Straight back)

Item	Model	Description	Ref. List #	Page	
304863901	8639	8639-SC/S-/15TA/12/SW/--/SP/WH	6483	91	
304863902		8639-SC/S-/15TA/12/SW/--/SP/BN			
304863001	8630	8630-SC/S-/15TA/24/SW/--/SP/WH			
304863002		8630-SC/S-/15TA/24/SW/--/SP/BN			
304864005	8640	8640-TT/SP/TF/24/NOP/SP/WHT	7141	92	
304864010		8640-TT /SP/TF/12/TPB/SP/WHT	7144	93	
304864011		8640-TT /SP/TF/12/TPB/SP/BNE			
304864012		8640-TT /SP/TF/24/TPB/SP/WHT			
304864013		8640-TT /SP/TF/24/TPB/SP/BNE			
304867901	8679	8679-SC/T-/15TA/12/SW/--/SP/WH <b>OBSOLETE</b>	6484	94	
304867902		8679-SC/T-/15TA/12/SW/--/SP/BN <b>OBSOLETE</b>			
304867001	8670	8670-SC/T-/15TA/24/SW/--/SP/WH <b>OBSOLETE</b>			
304867002		8670-SC/T-/15TA/24/SW/--/SP/BN <b>OBSOLETE</b>			


## Macerator Bidet **Combo** All China Toilets ▼ MasterFlush

### 8600 Toilet & Bidet Series ★ (Straight back)

Item	Model	Description	Ref. List #	Page	
304864901	8649	8640-SC/SC/15TA5/24/SW/--/SP/WH	6608	95	
304864001	8640	8640-SC/SC/15TA5/12/SW/--/SP/WH			
304868001	8680	8689-SC/TC/15TA/12/SW/--/SP/WH <b>OBSOLETE</b>			
304868901		8680-SC/TC/15TA/24/SW/--/SP/WH <b>OBSOLETE</b>			

## Macerator All China Toilets ▼ MasterFlush


### 8700 Toilet Series ★

Item	Model	Description	Ref. List #	Page	
304875001	8750	8750-WS/T-/15TA/24/SW/--/SP/WH <b>OBSOLETE</b>	6355	96	
304875002		8750-WS/T-/15TA/24/SW/--/SP/BN <b>OBSOLETE</b>			
304875071		8750-WS/T-/15TA/24/FH/CH/SP/WH <b>OBSOLETE</b>			
304875072		8750-WS/T-/15TA/24/FH/CH/SP/BN <b>OBSOLETE</b>			
304875901	8759	8759-WS/T-/15TA/12/SW/--/SP/WH <b>OBSOLETE</b>	7066	97	
304875902		8759-WS/T-/15TA/12/SW/--/SP/BN <b>OBSOLETE</b>			
304875971		8759-WS/T-/15TA/12/FH/CH/SP/WH <b>OBSOLETE</b>			
304875972		8759-WS/T-/15TA/12/FH/CH/SP/BN <b>OBSOLETE</b>			
304874301	8743	8743-TT/WD/TF/12/TPB/SP/WHITE	7065	99	
304874302		8743-TT/WD/TF/24/TPB/SP/WHITE			
304874303		8743-TT/WD/TF/12/TPB/SP/BONE			
304874304		8743-TT/WD/TF/24/TPB/SP/BONE			
304874001	8740	8740-TT/WD/TF/12/FHC/SP/BNE/X <b>OBSOLETE</b>	6991	98	
304874002		8740-TT/WD/TF/12/FHC/SP/WHITE	7065	99	
304874003		8740-TT/WD/TF/12/FHC/SP/BONE			
304874009		8740-TT/WD/TF/24/FHC/SP/WHITE			
304874010		8740-TT/WD/TF/24/FHC/SP/BONE			




## Macerator All China Toilets ▼ MasterFlush

### 8900 Toilet Series ★ (Angle back)

Item	Model	Description	Ref. List #	Page		
304893901	8939	8939-SC/S-/15TA/12/SW/--/SP/WH	6121	100		
304893902		8939-SC/S-/15TA/12/SW/--/SP/BN				
304893001	8930	8930-SC/S-/15TA/24/SW/--/SP/WH				101
304893002		8930-SC/S-/15TA/24/SW/--/SP/BN				
304897901	8979	8979-SC/T-/15TA/12/SW/--/SP/WH				
304897902		8979-SC/T-/15TA/12/SW/--/SP/BN				
304897001	8970	8970-SC/T-/15TA/24/SW/--/SP/WH				
304897002		8970-SC/T-/15TA/24/SW/--/SP/BN				


## Macerator Bidet **Combo** All China Toilets ▼ MasterFlush

### 8900 Toilet & Bidet Series ★ (Angle back)

Item	Model	Description	Ref. List #	Page	
304894901	8949	8949-SC/SC/15TA/12/SW/--/SP/WH	6449	102	
304894001	8940	8940-SC/SC/15TA/24/SW/--/SP/WH			
304898901	8989	8989-SC/TC/15TA/12/SW/--/SP/WH			
304898001	8980	8980-SC/TC/15TA/24/SW/--/SP/WH			


## VacuFlush Bidet **Combo** All China Toilets ▼

### 4800 Toilet & Bidet Series ★ (Angle back)


Item	Model	Description	Ref. List #	Page	
317483331	4826	4826-TF/SC/SP/SC/--/12/--/WHT	6413	103	
317483341		4826-TF/SC/SP/SC/--/24/--/WHT			
317483431	4828	4828-RO/SC/SP/TC/--/12/--/WHT	6470	104	
317483441		4828-RO/SC/SP/TC/--/24/--/WHT			
317486431	4829	4829-TF/SC/SP/TC/--/12/--/WHT	6471	105	
317486441		4829-TF/SC/SP/TC/--/24/--/WHT			

## VacuFlush All China Toilets ▼


### 3000 Toilet Series ★ Obsolete

Item	Model	Description	Ref. List #	Page	
317130601	3006	MAGNUM OPUS 3006 WHITE <b>OBSOLETE</b>	4850	106	
317130603		MAGNUM OPUS 3006 BONE <b>OBSOLETE</b>			
317330801	3008	MAGNUM OPUS 3008 WHITE <b>OBSOLETE</b>	4851	107	
317330803		MAGNUM OPUS 3008 BONE <b>OBSOLETE</b>			
317330901	3009	MAGNUM OPUS 3009 WHITE <b>OBSOLETE</b>	4849	108	
317330903		MAGNUM OPUS 3009 BONE <b>OBSOLETE</b>			
317334801	3048	MAGNUM OPUS 3048 WHITE <b>OBSOLETE</b>	4988	110	
317334803		MAGNUM OPUS 3048 BONE <b>OBSOLETE</b>			
317231061	3106	MAGNUM OPUS 3106 WHITE <b>OBSOLETE</b>	4988	111	
317231063		MAGNUM OPUS 3106 BONE <b>OBSOLETE</b>			
317131091	3109	MAGNUM OPUS 3109 WHITE <b>OBSOLETE</b>			
317131093		MAGNUM OPUS 3109 BONE <b>OBSOLETE</b>			
317131481	3148	MAGNUM OPUS 3148 WHITE <b>OBSOLETE</b>			
317131483		MAGNUM OPUS 3148 BONE <b>OBSOLETE</b>			

### 3300 - 3400 Toilet Series ★ Obsolete


Item	Model	Description	Ref. List #	Page	
317093091	3309	VACUFLUSH 3309 <b>OBSOLETE</b>	5052	112	
317093481	3348	VACUFLUSH 3348 <b>OBSOLETE</b>		113	
317034091	3409	VACUFLUSH 3409 <b>OBSOLETE</b>	5053	114	
317034481	3448	VACUFLUSH 3448 <b>OBSOLETE</b>		115	

### 3600 Toilet Series ★ Obsolete

Item	Model	Description	Ref. List #	Page	
317236061	3606	VACUFLUSH 3606 WHITE <b>OBSOLETE</b>	5043	116	
317236091	3609	VACUFLUSH 3609 WHITE <b>OBSOLETE</b>	5442	117	
317236481	3648	VACUFLUSH 3648 WHITE <b>OBSOLETE</b>	4902	118	
317236261	3626	VACUFLUSH 3626 WHITE BIDET/TOILET COMBO <b>OBSOLETE</b>	5832	119	

## VacuFlush All China Toilets ▼


### 4600 Toilet Series ★ (Straight back)

Item	Model	Description	Ref. List #	Page	
317463131	4606	4606-TF/SC/SP/S /--/12/--/WHT <b>OBSOLETE</b>	6661	120	
317463141		4606-TF/SC/SP/S /--/24/--/WHT <b>OBSOLETE</b>			
317463133		4606-TF/SC/SP/S /--/12/--/BONE <b>OBSOLETE</b>			
317463143		4606-TF/SC/SP/S /--/24/--/BONE <b>OBSOLETE</b>			
317463231	4609	4609-TF/SC/SP/T /--/12/--/WHT	6659	121	
317463241		4609-TF/SC/SP/T /--/24/--/WHT			
317463233		4609-TF/SC/SP/T /--/12/--/BONE <b>OBSOLETE</b>			
317463243		4609-TF/SC/SP/T /--/24/--/BONE <b>OBSOLETE</b>			
317466231	4648	4648-RO/SC/SP/T /--/12/--/WHT	6660	122	
317466241		4648-RO/SC/SP/T /--/24/--/WHT			
317466233		4648-RO/SC/SP/T /--/12/--/BONE <b>OBSOLETE</b>			
317466243		4648-RO/SC/SP/T /--/24/--/BONE <b>OBSOLETE</b>			

### 4700 Toilet Series ★ Concerto Style

Item	Model	Description	Ref. List #	Page	
317472251	4709	4709-TF/WS/SP/T /FH/12/CH/WHT	6485	123	
317472281		4709-TF/WS/SP/T /FH/24/CH/WHT			
317472253		4709-TF/WS/SP/T /FH/12/CH/BONE			
317472283		4709-TF/WS/SP/T /FH/24/CH/BONE			
317472231	4709	4709-TF/WS/SP/T /--/12/--/WHT	6468	124	
317472241		4709-TF/WS/SP/T /--/24/--/WHT			
317472233		4709-TF/WS/SP/T /--/12/--/BONE			
317472243		4709-TF/WS/SP/T /--/24/--/BONE			
317475251	4748	4748-RO/WS/SP/T /FH/12/CH/WHT	6487	125	
317475281		4748-RO/WS/SP/T /FH/24/CH/WHT			
317475253		4748-RO/WS/SP/T /FH/12/CH/BONE			
317475283		4748-RO/WS/SP/T /FH/24/CH/BONE			
317475231	4748	4748-RO/WS/SP/T /--/12/--/WHT	6486	126	
317475241		4748-RO/WS/SP/T /--/24/--/WHT			
317475233		4748-RO/WS/SP/T /--/12/--/BONE			
317475243		4748-RO/WS/SP/T /--/24/--/BONE			


### 4800 Toilet Series ★ (Angle back)

Item	Model	Description	Ref. List #	Page	
317148061	4806	VACUFLUSH 4806-12/WHITE	5372	127	
317248061		VACUFLUSH 4806-24/WHITE			
317148063		VACUFLUSH 4806-12/BONE			
317248063		VACUFLUSH 4806-24/BONE			
317148091	4809	VACUFLUSH 4809-12/WHITE	5373	128	
317248091		VACUFLUSH 4809-24/WHITE			
317148093		VACUFLUSH 4809-12/BONE			
317248093		VACUFLUSH 4809-24/BONE			
317148481	4848	VACUFLUSH 4848-12/WHITE	5374	129	
317248481		VACUFLUSH 4848-24/WHITE			
317148483		VACUFLUSH 4848-12/BONE			
317248483		VACUFLUSH 4848-24/BONE			





## VacuFlush 2 - pc. Toilets ▼ SeaLand


### 100 Toilet Series ★ EcoVac

Item	Model	Description	Ref. List #	Page	
317014601	146	146-TL/TFEV/SPK-WHITE	5272	130	
317014603		146-TL/TFEV/SPK-BONE			
317014701	147	ECOVAC 147 WHT			
317014703		ECOVAC 147 BONE			
317014801	148	ECOVAC 148 WHT			
317014803		ECOVAC 148 BONE			
317014901	149	ECOVAC 149-WHITE			
317014903		ECOVAC 149-BONE			
317015701	157	ECOVAC 157-WHITE <b>OBSOLETE</b>	5396	131	
317015703		ECOVAC 157-BONE <b>OBSOLETE</b>			
317015801	158	ECOVAC 158-WHITE <b>OBSOLETE</b>			
317015803		ECOVAC 158-BONE <b>OBSOLETE</b>			
317016801	159	ECOVAC 168-WHITE <b>OBSOLETE</b>	5039	132	

### 500 Toilet Series ★

Item	Model	Description	Ref. List #	Page	 
317850601	506	VACUFLUSH 506+ WHT	4921	133	
317850603		VACUFLUSH 506+ BONE			
317850606		VACUFLUSH 506+ PLT <b>OBSOLETE</b>			
317850608		VACUFLUSH 506+ EBY			
317850801	508	VACUFLUSH 508+ WHT	4917	134	
317850803		VACUFLUSH 508+ BONE			
317450901	509	VACUFLUSH 509+ WHT	4916	135	
317450903		VACUFLUSH 509+ BONE			
317854701	547	VACUFLUSH 547+ WHITE	3034	136	
317854703		VACUFLUSH 547+ BONE			
317854706		VACUFLUSH 547+ PLT <b>OBSOLETE</b>			
317854708		VACUFLUSH 547+ EBY			
317854801	548	VACUFLUSH 548+ WHT	4918	137	
317854803		VACUFLUSH 548+ BONE			
317854806		VACUFLUSH 548+ PLT <b>OBSOLETE</b>			
317854808		VACUFLUSH 548+ EBY			
317856801	568	VACUFLUSH 568 BONE	7189	138	

### 700 Toilet Series ★


Item	Model	Description	Ref. List #	Page	
317470601	706	VACUFLUSH 706 WHT	3933	139	
317470603		VACUFLUSH 706 BONE			
317470611		VACUFLUSH 706 WHT-SHORT PEDAL	6582	140	
317470901	709	VACUFLUSH 709 WHITE	4711	141	
317470903		VACUFLUSH 709 BONE			
317074801	748	VACUFLUSH 748 WHITE	4485	142	
317074803		VACUFLUSH 748 BONE			
317074901	749	VACUFLUSH 749 WHITE			
317074903		VACUFLUSH 749 BONE			

### 1548 Toilet Series ★


Item	Model	Description	Ref. List #	Page
317154801	1548	VACUFLUSH 1548 WHITE	4563	143

# VacuFlush 2 - pc. Toilets ▼ SeaLand


## 800 Toilet Series ★ Obsolete

Item	Model	Description	Ref. List #	Page						
317480601	806	VACUFLUSH 806 WHITE <b>OBSELETE</b>	4138	144						
317480601		VACUFLUSH 806 BONE <b>OBSELETE</b>								
317480801	808	VACUFLUSH 808 WHITE <b>OBSELETE</b>		4138		145				
317480803		VACUFLUSH 808 BONE <b>OBSELETE</b>								
317484701	847	VACUFLUSH 847 WHITE <b>OBSELETE</b>					4138	145		
317484703		VACUFLUSH 847 BONE <b>OBSELETE</b>								
317484801	848	VACUFLUSH 848 WHITE <b>OBSELETE</b>							4138	145
317484803		VACUFLUSH 848 BONE <b>OBSELETE</b>								


## 1000 Toilet Series ★ Obsolete

Item	Model	Description	Ref. List #	Page											
317100601	1006	VACUFLUSH 1006 WHITE <b>OBSELETE</b>	4922	146											
317100603		VACUFLUSH 1006 BONE <b>OBSELETE</b>													
317100801	1008	VACUFLUSH 1008 WHITE <b>OBSELETE</b>				4922	146								
317100803		VACUFLUSH 1008 BONE <b>OBSELETE</b>													
317104701	1047	VACUFLUSH 1047 WHITE <b>OBSELETE</b>						4922	146						
317104703		VACUFLUSH 1047 BONE <b>OBSELETE</b>													
317104801	1048	VACUFLUSH 1048 WHITE <b>OBSELETE</b>								4922	146				
317104803		VACUFLUSH 1048 BONE <b>OBSELETE</b>													
317104901	1049	VACUFLUSH 1049 WHITE <b>OBSELETE</b>										4922	146		
317104903		VACUFLUSH 1049 BONE <b>OBSELETE</b>													
317110601	1106	VACUFLUSH 1106 WHITE <b>OBSELETE</b>												4828	147
317110603		VACUFLUSH 1106 BONE													
317114801	1148	VACUFLUSH 1148 WHITE <b>OBSELETE</b>												5276	148
317114803		VACUFLUSH 1148 BONE <b>OBSELETE</b>													

## 5000 Toilet Series ★ Obsolete


Item	Model	Description	Ref. List #	Page												
317500601	5006	VACUFLUSH 5006-WHITE	4843	149												
317500603		VACUFLUSH 5006-BONE														
317500901	5009	VACUFLUSH 5009-WHITE	4841	150												
317500903		VACUFLUSH 5009-BONE														
317504701	5047	VACUFLUSH 5047-WHITE	4844	151												
317504703		VACUFLUSH 5047-BONE														
317504801	5048	VACUFLUSH 5048-WHITE				4844	151									
317504803		VACUFLUSH 5048-BONE														
317504901	5049	VACUFLUSH 5049-WHITE						4844	151							
317504903		VACUFLUSH 5049-BONE														
317514601	5146	VACUFLUSH 5146-WHITE								4842	152					
317514603		VACUFLUSH 5146-BONE														
317514701	5147	VACUFLUSH 5147-WHITE										4842	152			
317514703		VACUFLUSH 5147-BONE														
317514801	5148	VACUFLUSH 5148-WHITE			4842									152		
317514803		VACUFLUSH 5148-BONE														
317514901	5149	VACUFLUSH 5149-WHITE													4842	152
317514903		VACUFLUSH 5149-BONE														

## 600 Toilet Series ★ Obsolete

Item	Model	Description	Ref. List #	Page				
317060601	606	VACUFLUSH 606 - WHITE <b>OBSELETE</b>	4464	153				
317060603		VACUFLUSH 606 - BONE <b>OBSELETE</b>						
317064701	647	VACUFLUSH 647 - WHITE <b>OBSELETE</b>				4464	153	
317064703		VACUFLUSH 647 - BONE <b>OBSELETE</b>						
317064801	648	VACUFLUSH 648 - WHITE <b>OBSELETE</b>						4464
317064803		VACUFLUSH 648 - BONE <b>OBSELETE</b>						


## Holding Tank System ▼ Accessories

### Dometic Tank Monitor ★


Item	Model	Description	Ref. List #	Page	
313604001	DTM04	DTM04 W/VENT	6527	154	
313604002		DTM04 W/O VENT			
360608011	DTM08	DTM08 WHT W/VENT-OEM			
360608012		DTM08 WHT W/O VENT-OEM			
360612001	DTM12	DTM12 BLK W/VENTS-OEM			
360612002		DTM12 BLK W/O VENTS-OEM			

## Vacuum Systems ▼ Vacuum Sources


### CVT ★ Cassette Vacuum Tank Obsolete

Item	Model	Description	Ref. List #	Page	
326002510	CVT2510	CASSETTE VACUUM TANK 2510 <b>OBSOLETE</b>	4941	155	
326002520	CVT2520	CASSETTE VACUUM TANK 2520 <b>OBSOLETE</b>	5065	156	
326002521	CVT2521	CASSETTE VACUUM TANK 2521 <b>OBSOLETE</b>			


### VHT ★ Vacuum Holding Tank

Item	Model	Description	Ref. List #	Page	
317769012	VHT12	VHT 12 FULL RELAY	4829	157	
317769212		VHT 3/4 FULL RELAY	4831	158	

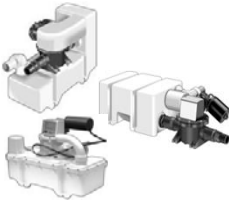
### VHT 4500 ★ Vacuum Holding Tank

Item	Model	Description	Ref. List #	Page	
317704501	VHT4501	VT4501-STRAIGHT DIS'G	6277	159	
317704502	VHT4502	VT4502-ELBOW DIS'G	7198	160	
317704511	VHT4511	VT4511-T12/SWIVEL DIS'G	6278	161	


### SailVac 5200 ★ Vacuum Holding Tank

Item	Model	Description	Ref. List #	Page	
317705200	VHT5200	VHT 5200 - 3/4-FULL-RELAY	6600	162	


### VG Vacuum Generators ★

Item	Model	Description	Ref. List #	Page	
317759012	VG	VG12	4995	163	
317759024		VG24			
317770012	VGLP	VGLP12	4990	164	
317770024		VGLP/W24			
317780012	VG4	VG4/JW12-STANDARD	5109	165	
317780024		VG4/JW24-STANDARD			

### VT Vacuum Tank ★


Item	Model	Description	Ref. List #	Page	
317729100	VT	ACCUMULATOR TANK	6253	166	

### Vacuum Pumps ★

Item	Model	Description	Ref. List #	Page	
317201200	S12	PUMP SW12	4820	167	
317202400	S24	PUMP SW24			
317511500	M115	PUMP M115/230 1/2H 30:1 TEFC60	6575	168	
317501200	M12	PUMP M12-1/2HP 30:1			
317502400	M24	PUMP M24-1/2HP 30:1			


## Holding Tank System ▼ Accessories

### Discharge Pumps & SaniSumps ★

Item	Model	Description	Ref. List #	Page	
317301200	T12	PUMP TW12	0678	169	
317302400	T24	PUMP TW24			
314115012	SP SS	SANI SUMP-12 1-1/2" IN	3929	170	
314115024	12/24	SANI SUMP-24 1-1/2" IN			

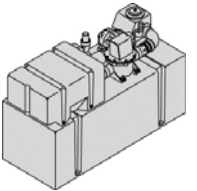
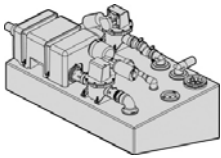
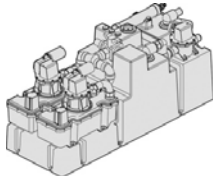
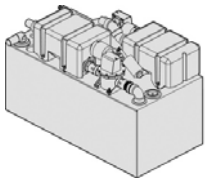
## Holding Tank Systems ▼ All

### Holding Tank Systems ▼ DHT-L Models

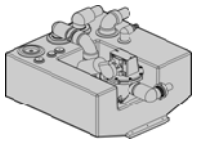
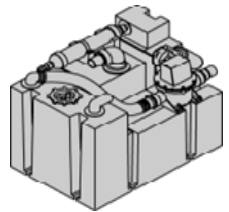
Item	Model	Description	Ref. List #	Page	
322601101	DHT42L	HD TANK-EU 42L/11G W/CAP	6052	171-172	
322601601	DHT61L	HD TANK-EU 61L/16G W/CAP			
322602301	DHT88L	HD TANK-EU 88L/23G W/CAP			
322602901	DHT110L	HD TANK-EU 110L/29G W/CAP			
322603601	DHT137L	HD TANK-EU 137L/36G W/CAP			

# Holding Tank Systems ▼ All

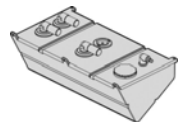
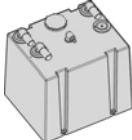
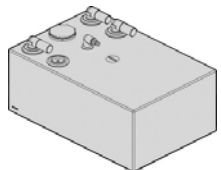
## Holding Tank Systems ▼ VG Models

Item	Model	Description	Ref. List #	Page		
322711012	10HTS-VG	HTS 10 LPVG12/DTM04	5296	173		
322101024		HTS 10-LPVG24/DTM04				
322711812	18HTS-VG	HTS 18 VG412/DTM04	6664	174		
322011824		HTS 18-VG4J24/DTM04				
322702112	21HTS-VG	HTS 21-VG4JW12/T12/DTM4	5121	175		
322702124		HTS 21-VG4J24/T24/DTM04				
322712712	27HTS-VG	HTS 27 LPVG12/T12/DTM04	6298	176		
322712724		HTS 27 LPVG24/T24/DTM04				
322712812	28HTS-VG	HTS 28+ VG12/T/DTM04	5032	177		
322712824		HTS 28+ VG24/T/DTM04				
322722812	28HTS-VG HULL	HTS 28 HULL-LPVG12/T/DTM04	5072	178		
322722824		HTS 28 HULL-LPVG24/T/DTM04				
322713512	35HTS-VG	HTS 35-LPVG12/T/DTM04	5300	179		
322013524		HTS 35/LPVG24/T24/DTM04				
322703912	39HTS-VG	HTS 39-VG4JW12/T12/DTM04	5626	180		
322703924		HTS 39-VG4J24/T/DTM04				
322714012	40HTS-VG	HTS 40 VG412/T/DTM04	5226	181		
322714024		HTS 40 VG4J24/T/DTM04				
322714212	42HTS-VG	HTS 42-VG4/T12/DTM04	5637	182		
322014224		HTS 42-VG4/T24/DTM04				
322715512	55HTS-VG	HTS 55-VGLP12/T/DTM04	5108	183		
322715524		HTS 55-VGLP24/T/DTM04				
322718012	80HTS-VG	HTS 80-LPVG12/T/DTM04	5633	184		
322718024		HTS 80-LPVG24/T/DTM04				

## Holding Tank Systems ▼ T Models

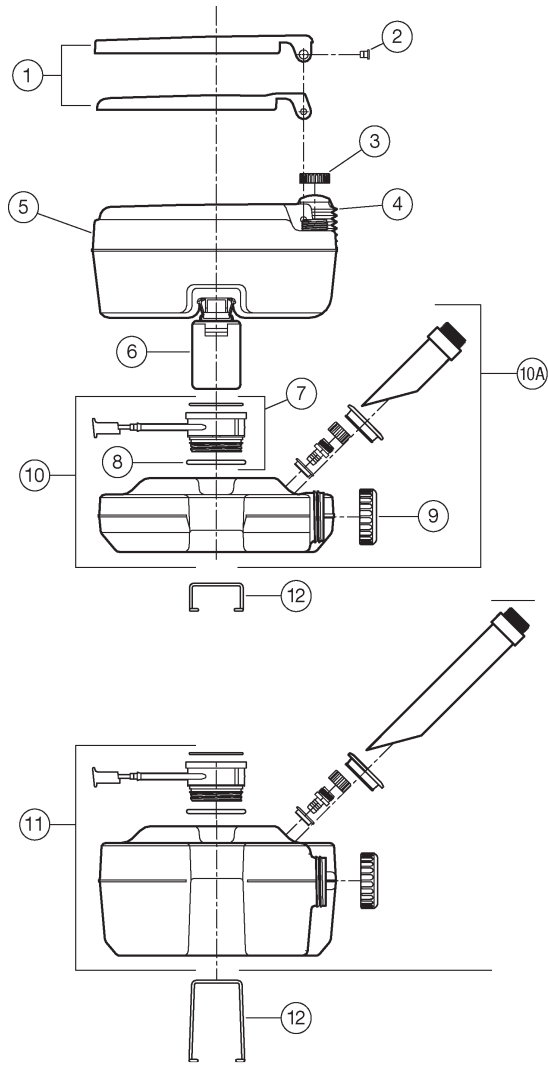
Item	Model	Description	Ref. List #	Page		
322721012	10HTS-T	HTS 10 HULL-T12/DTM04	5054	185		
322721024		HTS 10 HULL-T24/DTM04				
322002800	28HTS-T	HTS 28	5706	186		
322012800		HTS 28 DTM04 PANEL				
322002812		HTS 28 T12				
322012812		HTS 28 DTM04/T12				
322012824		HTS 28-DTM04/T24				
322004000	40HTS-T	HTS 40	6517	187		
322004012		HTS 40 T12				
322004024		HTS 40 TW24				
322014000		HTS 40-DTM04 PANEL				
322014012		HTS 40-DTM04/12VDC				
322014024		HTS 40-DTM04/24VDC				

## Holding Tank Systems ▼ Basic Models

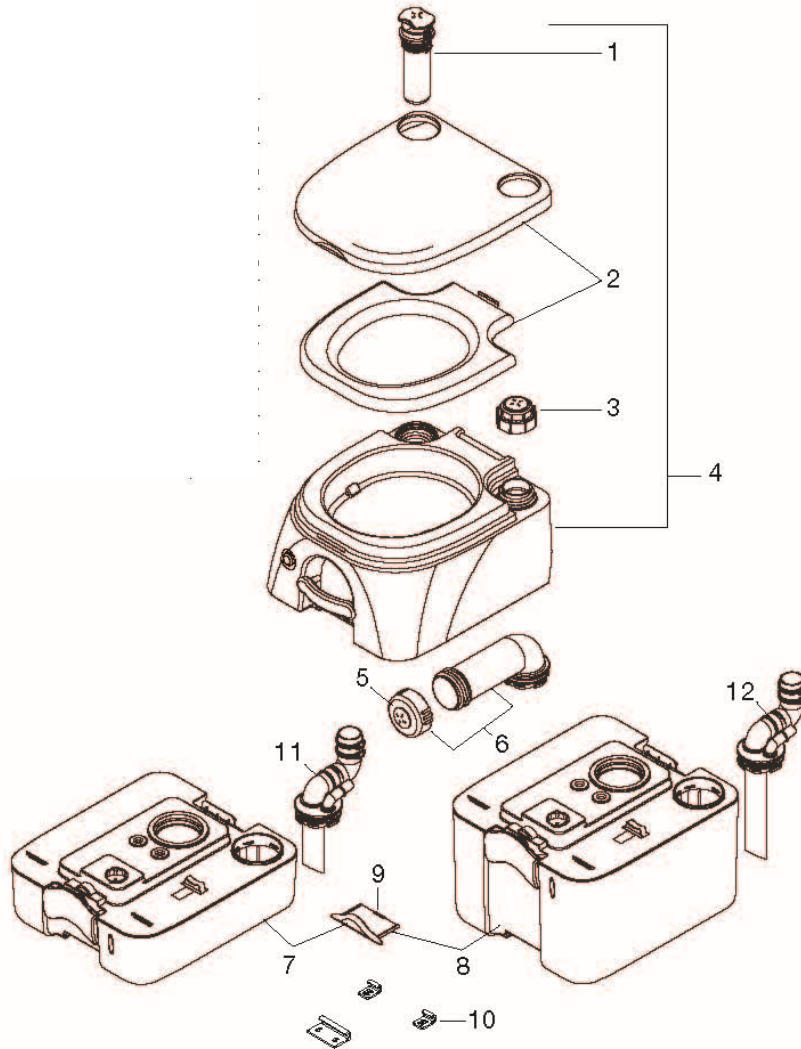
Item	Model	Description	Ref. List #	Page		
322840122	12HTS-VRT	HD TANK 12 VRT-BASIC	4868	188		
322840121	12HTS-HRZ	HD TANK 12 HRZ-BASIC		189		
322800121	12HTS-HL	HD TANK 12G HULL-BASIC	5095	190		
322840152	15HTS-VRT	HD TANK 15 VRT-BASIC	4980	191		
322840151	15HTS-HRZ	HD TANK 15 HRZ-BASIC	4869	192		
322840202	20HTS-VRT	HD TANK 20 VRT-BASIC	4870	193		
322840201	20HTS-HRZ	HD TANK 20 HRZ-BASIC		194		
322800251	25HTS-HRZ	HD TANK 25 HRZ-BASIC	5055	195		
322800281	28HTS-HL	HD TANK 28 HULL-BASIC	5092	196		
322840301	30HTS-HRZ	HD TANK 30 HRZ-BASIC	4871	197		
322800351	35HTS-HL	HD TANK 35 HULL-BASIC	5096	198		
322840401	40HTS-HRZ	HD TANK 40 HRZ-BASIC	4872	199		
322850501	50HTS-VRT-HL	HD TANK 50 VRT HULL-BASIC	5097	200		
322850502	50HTS-HRZ-HL	HD TANK 50 HRZ HULL-BASIC	5098	201		
322840551	55HTS-HRZ	HD TANK 55 HRZ-BASIC	4873	202		
322800801	80HTS-HRZ	HD TANK 80 HULL-BASIC	5163	203		

# PARTS LIST - 960 Series Portable Toilet

NO.	USA	DESCRIPTION
1	385311520	Seat lid and seat – parchment
	385311521	Seat lid and seat – platinum
2	385310900	Seat hinge pin – white
	385310899	Seat hinge pin – parchment
3	385310102	Water cap – parchment
	385310103	Water cap – platinum
4	385310104	Bellows assembly – parchment
	385310105	Bellows assembly – platinum
5	385230374	2.6-gal. (9.8 l) freshwater tank assembly – parchment (items 1 - 5)
	385230375	2.6-gal. (9.8 l) freshwater tank assembly – platinum (items 1 - 5)
6	385310066	Latch assembly – white
	385310067	Latch assembly – parchment
7	385239064	Slide valve assembly – white
8	385346401	Bottom O-ring
9	385310050	Waste tank cap – parchment
	385310031	Waste tank cap – platinum
10	385311522	2.5-gal. (9.5 l) wastewater tank assembly – parchment
	385311523	2.5-gal. (9.5 l) wastewater tank assembly – platinum
10A	385230376	2.5-gal. (9.5 l) 964MSD tank assembly – parchment
	385230377	2.5-gal. (9.5 l) 964MSD tank assembly – platinum
11	385311524	5.0-gal. (18.9 l) wastewater tank assembly – parchment
	385311525	5.0-gal. (18.9 l) wastewater tank assembly – platinum
11A	385230378	5.0-gal. (18.9 l) 965MSD tank assembly – parchment
	385230379	5.0-gal. (18.9 l) 965MSD tank assembly – platinum
12	385310018	Hold-down brackets – 2.5-gal. waste tank
	385310239	Hold-down brackets – 5.0-gal. waste tank

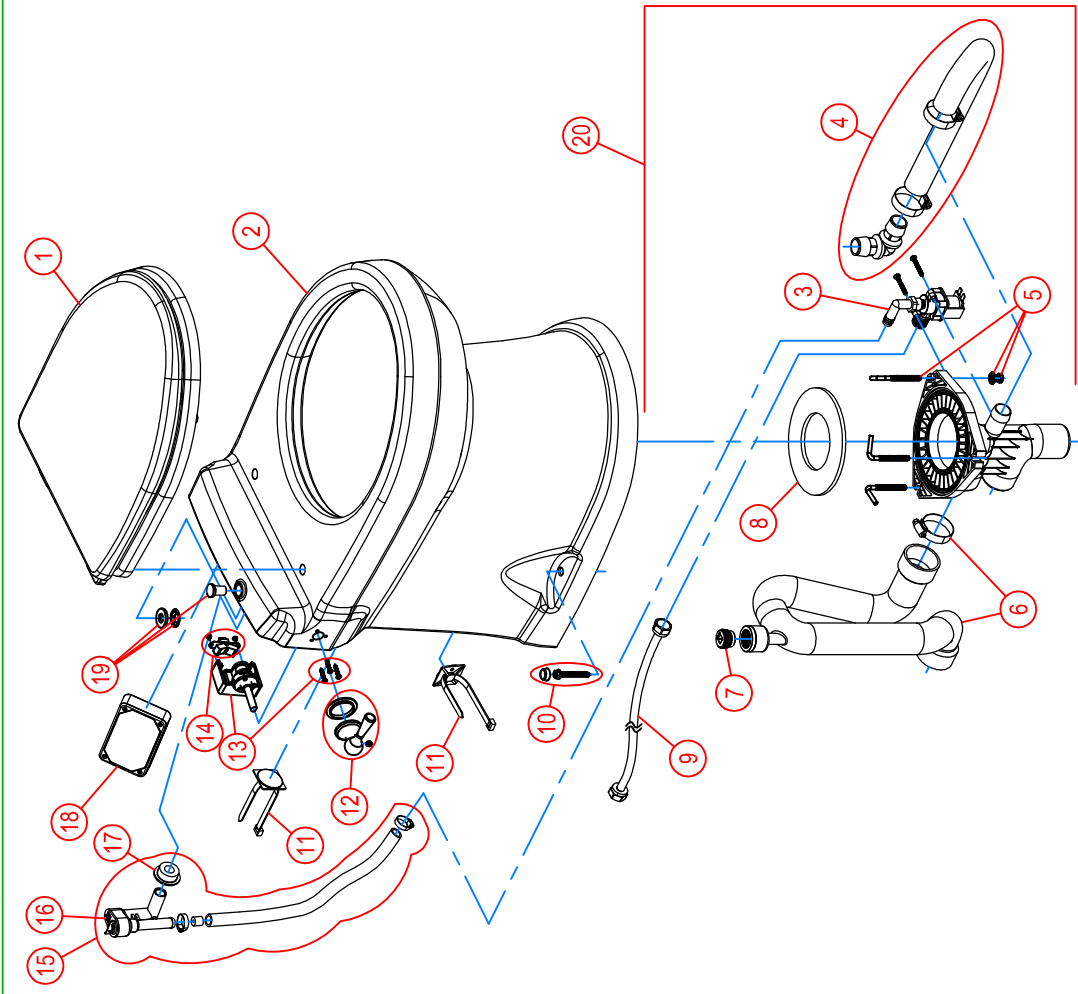






NO.	PART NUMBER	DESCRIPTION	
1	385311528	Air pump	
2	385311529	Seat cover and seat	
3	385311530	Water cap	
4	385311531	Bowl assembly	
5	385311532	Discharge spout cap	
6	385311533	Discharge spout assembly	972, 974, 975, 976
7	385311534	Holding tank assembly (tan)	2.6 gal./9.8 L - 972, 974, 974MSD
	385311535	Holding tank assembly (gray)	
8	385311536	Holding tank assembly (tan)	5.0 gal./18.9 L - 975, 975MSD, 976
	385311537	Holding tank assembly (gray)	
9	385311538	Locking handle (tan)	972, 974, 974MSD, 975, 975MSD, 976
	385311539	Locking handle (gray)	
10	385320005	Mounting brackets	974, 974MSD, 975, 975MSD
11	385320006	MSD fitting	974MSD
12	385320007	MSD fitting	975MSD

# PARTS LIST: 9300 MODEL SERIES (ABOVE-FLOOR DISCHARGE OPTION)

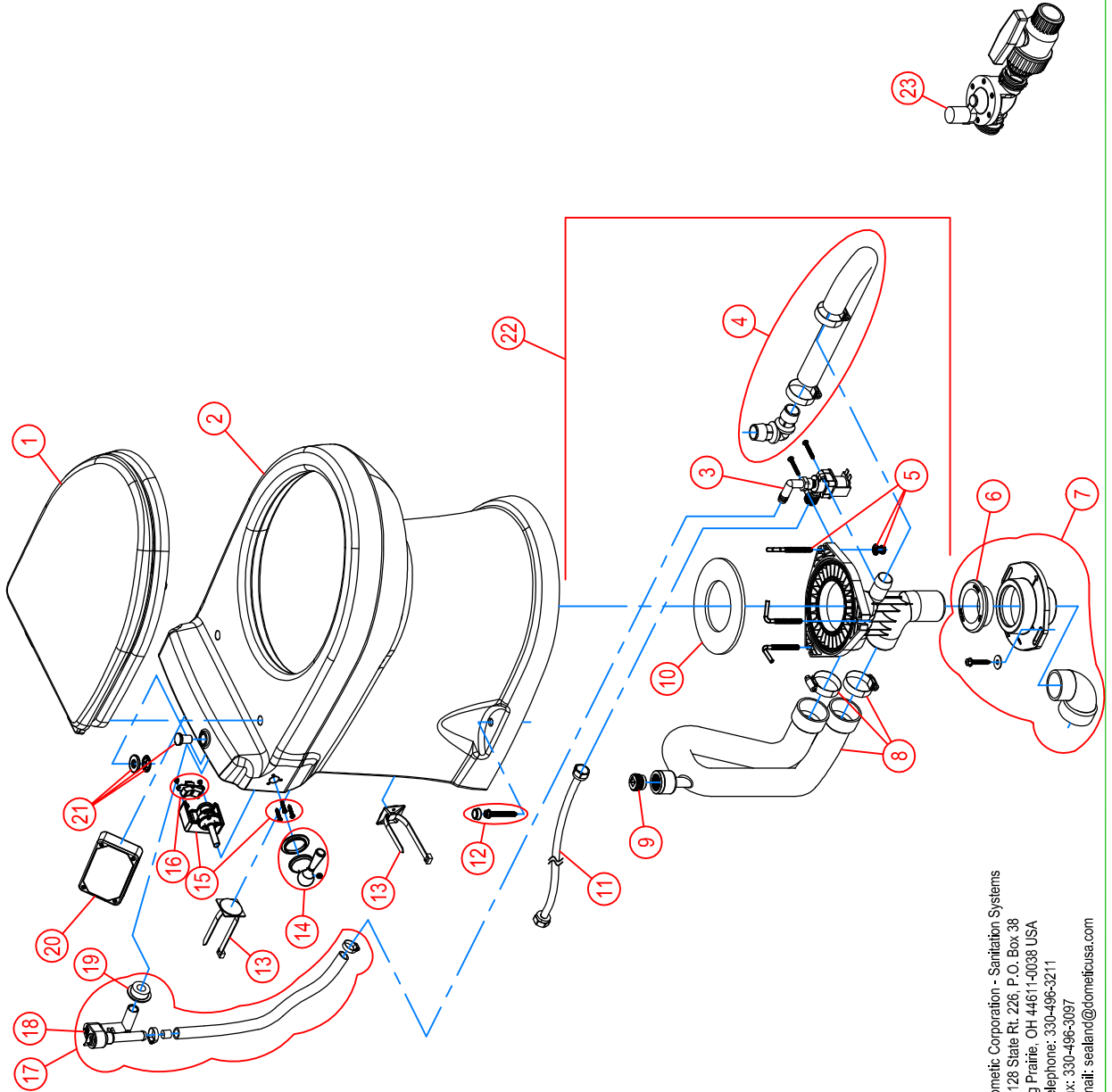


ITEM	PART NUMBER & DESCRIPTION
1	385311005 SEAT/COVER - WHITE 385311006 SEAT/COVER - BONE
2	385311730 9300 BOWL KIT - WHITE 385311731 9300 BOWL KIT - BONE **INCLUDES ITEM 5.
3	385311904 WATER VALVE KIT - 12VDC 385311905 WATER VALVE KIT - 24VDC
4	385311910 WATER JET INLET TUBE KIT
5	385311011 BASE TO BOWL MOUNTING HARDWARE
6	385311913 DISCHARGE TUBE-ABOVE FLOOR **INCLUDES ITEM 7.
7	385880080 ANTISIPHON VALVE REPLACEMENT
8	385311914 BASE SEAL REPLACEMENT
9	385311018 WATER SUPPLY HOSE
10	385311022 BOWL MOUNTING HARDWARE
11	385311915 COMPONENT MOUNTING STRAP KIT **KIT QUANTITY IS ONE SET.
12	385310962 FLUSH HANDLE KIT - CHROME 385310963 FLUSH HANDLE KIT - GOLD 385311141 FLUSH HANDLE KIT - NICKLE
13	385311916 FLUSH HANDLE MECHANISM KIT **INCLUDES ITEM 14.
14	385311917 FLUSH HANDLE SWITCH WIRING
15	385311918 VACUUM BREAKER KIT (COMPLETE)
16	385316906 VACUUM BREAKER KIT **INCLUDES ITEM 17.
17	385311164 1/2" SEALING GROMMET
18	385311919 CONTROL MODULE 12/24VDC
19	385311750 HOLE PLUG - WHITE 385311751 HOLE PLUG - BONE
20	385311922 93/9400 ABOVE FLOOR BASE KIT - 12VDC 385311923 93/9400 ABOVE FLOOR BASE KIT - 24VDC **INCLUDES ITEM 3-9.
21	385311924 JET VALVE ASSEMBLY - 12VDC 385311925 JET VALVE ASSEMBLY - 24VDC 385311926 1-1/2" SWING CHECK VALVE
NOT SHOWN	385312043 1-1/2" SWING CHECK VALVE-UNION
NOT SHOWN	

Domestic Corporation - Sanitation Systems  
13128 State Rt. 226, P.O. Box 38  
Big Prairie, OH 44611-0038 USA  
Telephone: 330-496-3211  
Fax: 330-496-3097  
E-mail: sealand@domesticusa.com

# PARTS LIST: 9300 MODEL SERIES (THRU-FLOOR DISCHARGE OPTION)

ITEM	PART NUMBER & DESCRIPTION
1	385311005 SEAT/COVER - WHITE 385311006 SEAT/COVER - BONE
2	385311730 9300 BOWL KIT - WHITE 385311731 9300 BOWL KIT - BONE **INCLUDES ITEM 5.
3	385311904 WATER VALVE KIT - 12VDC
4	385311905 WATER VALVE KIT - 24VDC
5	385311910 WATER JET INLET TUBE KIT
6	385311011 BASE TO BOWL MOUNTING HARDWARE
7	385311911 1-1/2" SEALING GROMMET FLOOR FLANGE/MTG ADAPTER KIT **INCLUDES ITEM 6.
8	385311912 DISCHARGE TUBE-THRU FLOOR **INCLUDES ITEM 9.
9	385880080 ANTISIPHON VALVE REPLACEMENT
10	385311914 BASE SEAL REPLACEMENT
11	385311018 WATER SUPPLY HOSE
12	385311022 BOWL MOUNTING HARDWARE
13	385311915 COMPONENT MOUNTING STRAP KIT **KIT QUANTITY IS ONE SET.
14	385310962 FLUSH HANDLE KIT - CHROME 385310963 FLUSH HANDLE KIT - GOLD 385311141 FLUSH HANDLE KIT - NICKLE
15	385311916 FLUSH HANDLE MECHANISM KIT **INCLUDES ITEM 16.
16	385311917 FLUSH HANDLE SWITCH w/WIRING
17	385311918 VACUUM BREAKER KIT (COMPLETE)
18	385316906 VACUUM BREAKER KIT **INCLUDES ITEM 19.
19	385311164 1/2" SEALING GROMMET
20	385311919 CONTROL MODULE 12/24VDC
21	385311750 HOLE PLUG - WHITE 385311751 HOLE PLUG - BONE
22	385311920 93/9400 THUR FLOOR BASE KIT - 12VDC 385311921 93/9400 THUR FLOOR BASE KIT - 24VDC **INCLUDES ITEM 3-5 & 8-11.
23	385311924 JET VALVE ASSEMBLY - 12VDC 385311925 JET VALVE ASSEMBLY - 24VDC
NOT SHOWN	385311926 1-1/2" SWING CHECK VALVE
NOT SHOWN	385312043 1-1/2" SWING CHECK VALVE-UNION

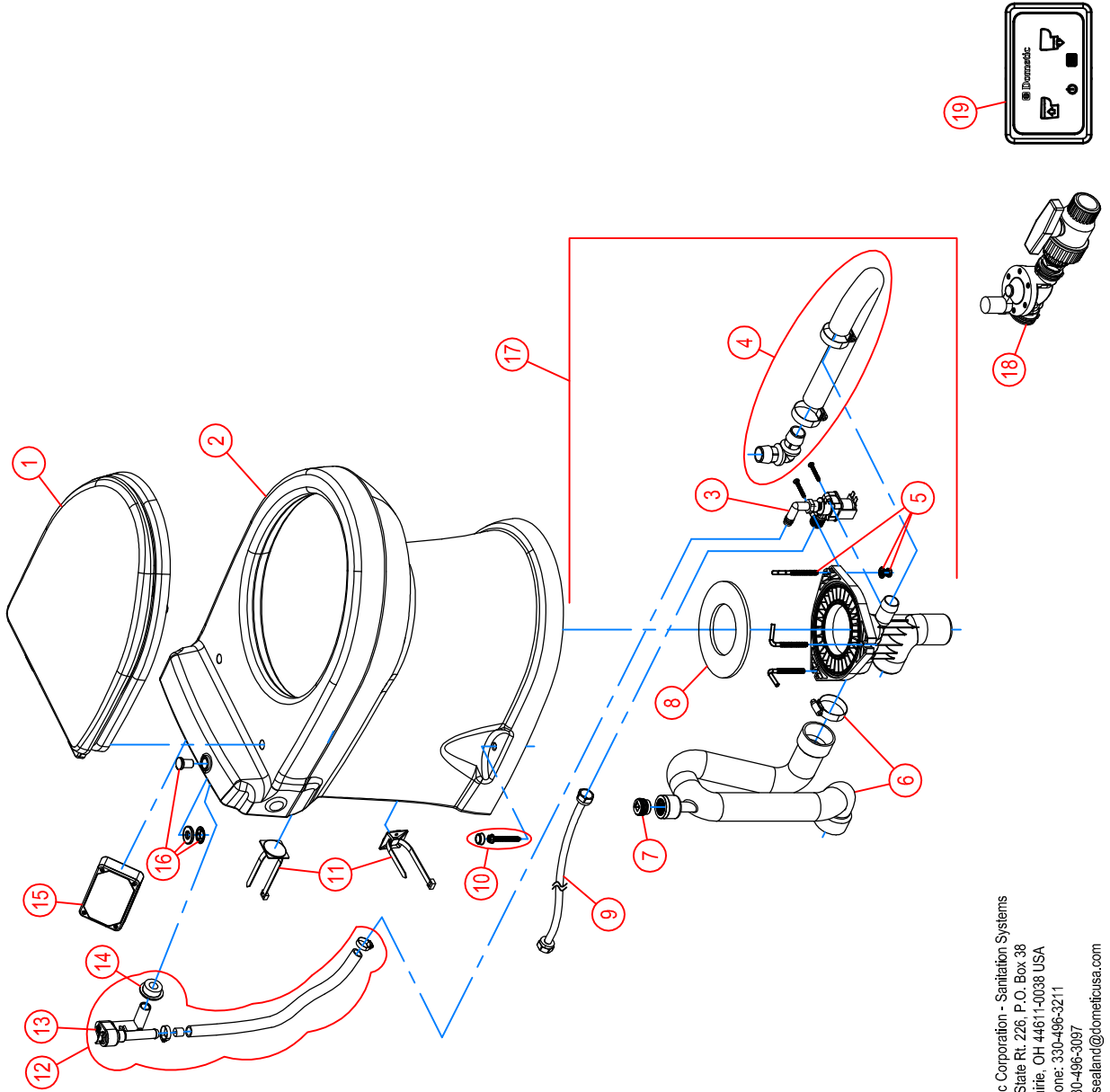


Domestic Corporation - Sanitation Systems  
13128 Slate Rt. 226, P.O. Box 38  
Big Prairie, OH 44611-0038 USA  
Telephone: 330-496-3211  
Fax: 330-496-3097  
E-mail: sealand@domesticusa.com



# PARTS LIST: 9400 MODEL SERIES (ABOVE-FLOOR DISCHARGE OPTION)

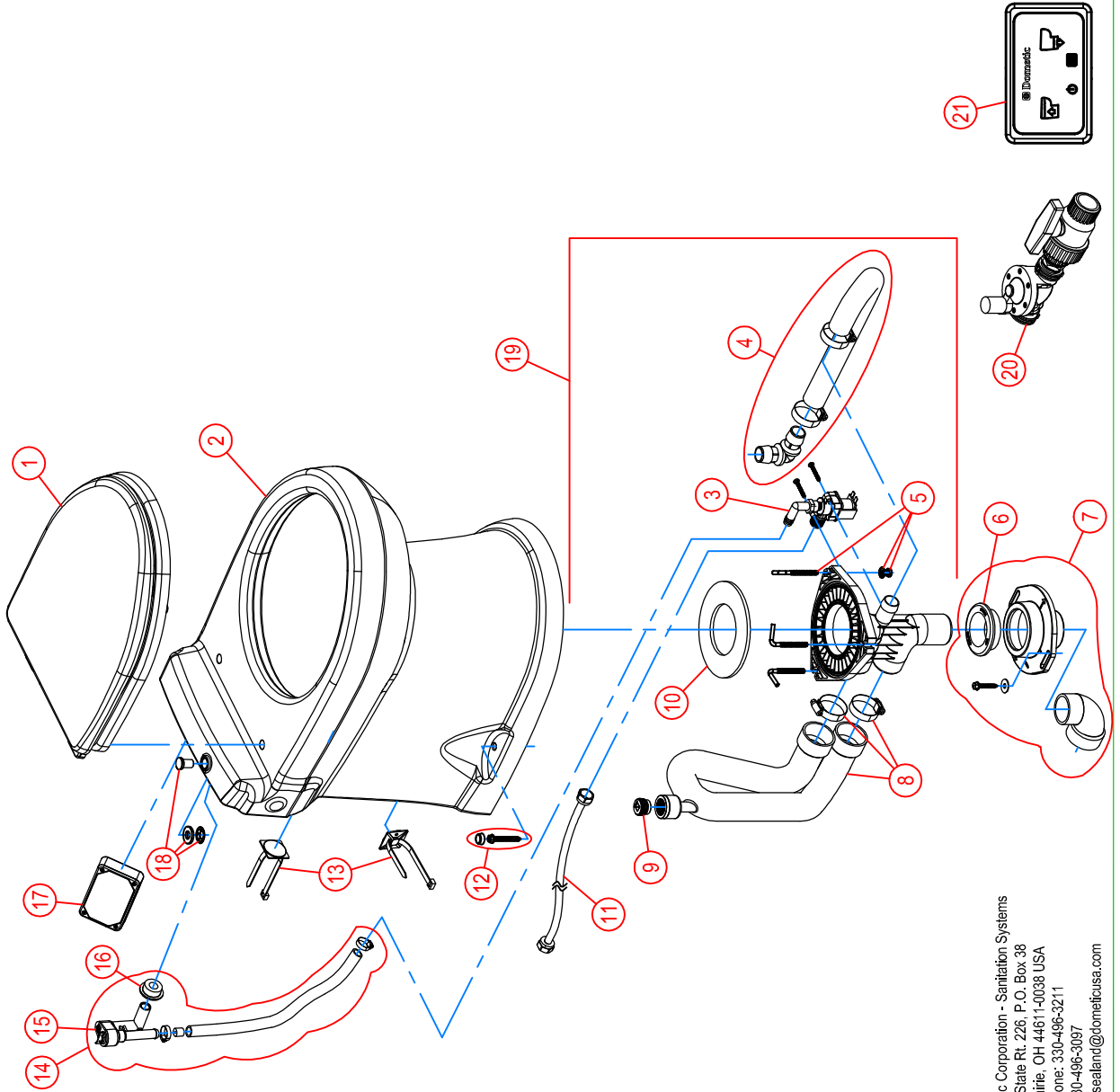
ITEM	PART NUMBER & DESCRIPTION
1	385311005 SEAT/COVER - WHITE 385311006 SEAT/COVER - BONE
2	385311730 9400 BOWL KIT - WHITE 385311731 9400 BOWL KIT - BONE **INCLUDES ITEM 5.
3	385311904 WATER VALVE KIT - 12VDC 385311905 WATER VALVE KIT - 24VDC
4	385311910 WATER JET INLET TUBE KIT
5	385311011 BASE TO BOWL MOUNTING HARDWARE
6	385311913 DISCHARGE TUBE-ABOVE FLOOR **INCLUDES ITEM 7.
7	385880080 ANTISIPHON VALVE REPLACEMENT
8	385311914 BASE SEAL REPLACEMENT
9	385311018 WATER SUPPLY HOSE
10	385311022 BOWL MOUNTING HARDWARE
11	385311915 COMPONENT MOUNTING STRAP KIT **KIT QUANTITY IS ONE SET.
12	385311918 VACUUM BREAKER KIT (COMPLETE)
13	385316906 VACUUM BREAKER KIT **INCLUDES ITEM 14.
14	385311164 1/2" SEALING GROMMET
15	385311919 CONTROL MODULE 12/24VDC
16	385311750 HOLE PLUG - WHITE 385311751 HOLE PLUG - BONE
17	385311922 93/9400 ABOVE FLOOR BASE KIT - 12VDC 385311923 93/9400 ABOVE FLOOR BASE KIT - 24VDC **INCLUDES ITEM 3-9.
18	385311924 JET VALVE ASSEMBLY - 12VDC 385311925 JET VALVE ASSEMBLY - 24VDC
19	313600021 DOMETIC TOUCHPAD FLUSH SWITCH - WHITE 313600022 DOMETIC TOUCHPAD FLUSH SWITCH - BLACK
NOT SHOWN	385311926 1-1/2" SWING CHECK VALVE
NOT SHOWN	385312043 1-1/2" SWING CHECK VALVE-UNION



Dometic Corporation - Sanitation Systems  
13128 Slate Rt. 226, P.O. Box 38  
Big Prairie, OH 44611-0038 USA  
Telephone: 330-496-3211  
Fax: 330-496-3097  
Email: sealand@dometicusa.com

# PARTS LIST: 9400 MODEL SERIES (THRU-FLOOR DISCHARGE OPTION)

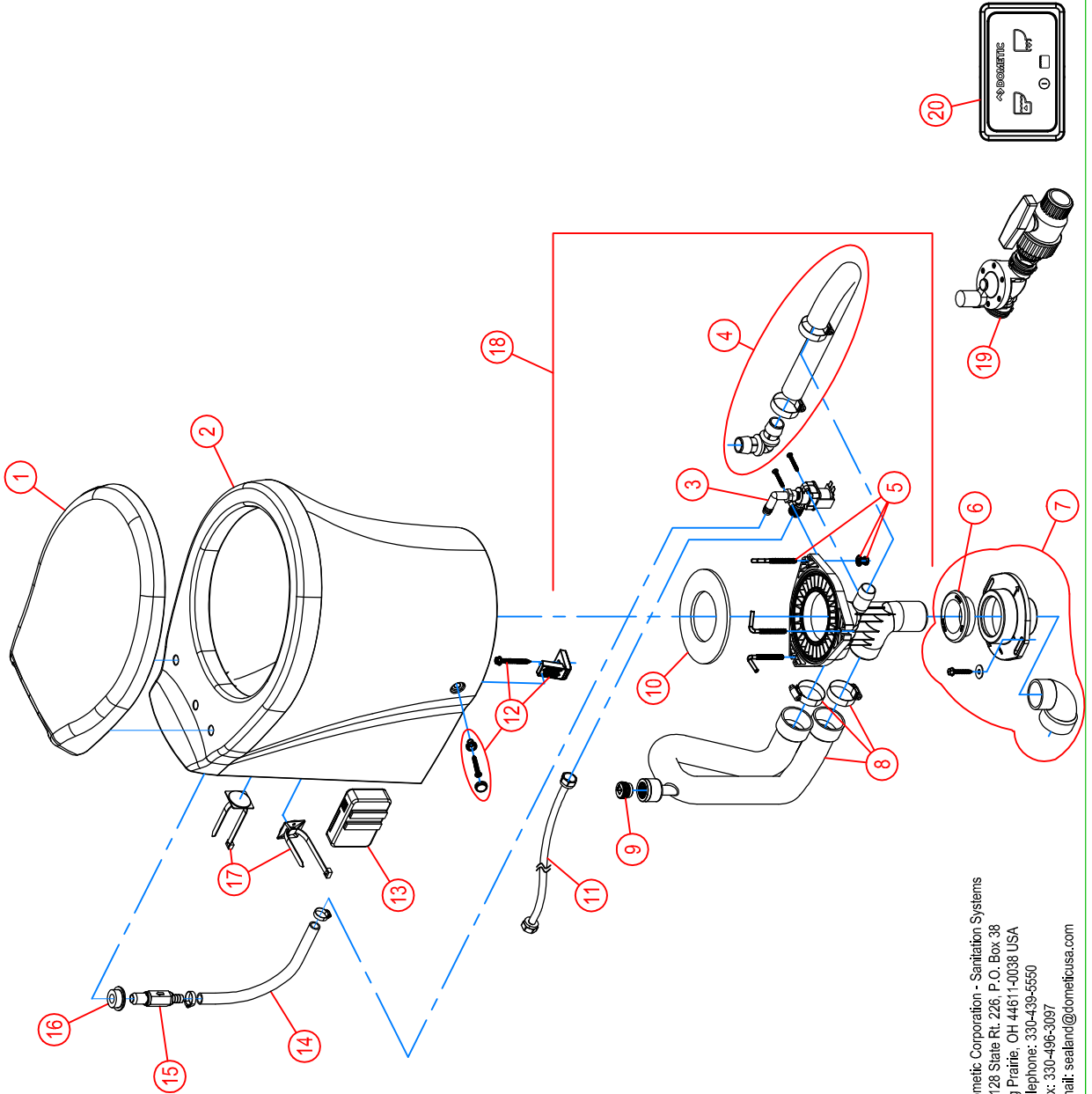
ITEM	PART NUMBER & DESCRIPTION
1	385311005 SEAT/COVER - WHITE 385311006 SEAT/COVER - BONE
2	385311730 9400 BOWL KIT - WHITE 385311731 9400 BOWL KIT - BONE **INCLUDES ITEM 5.
3	385311904 WATER VALVE KIT - 12VDC
4	385311905 WATER VALVE KIT - 24VDC
5	385311910 WATER JET INLET TUBE KIT
6	385311011 BASE TO BOWL MOUNTING HARDWARE
7	385311111 1-1/2" SEALING GROMMET
8	385311912 FLOOR FLANGE/MTG ADAPTER KIT **INCLUDES ITEM 6.
9	385311912 DISCHARGE TUBE-THRU FLOOR **INCLUDES ITEM 9.
10	385880080 ANTISIPHON VALVE REPLACEMENT
11	385311914 BASE SEAL REPLACEMENT
12	385311018 WATER SUPPLY HOSE
13	385311022 BOWL MOUNTING HARDWARE
14	385311915 COMPONENT MOUNTING STRAP KIT **KIT QUANTITY IS ONE SET.
15	385311918 VACUUM BREAKER KIT (COMPLETE)
16	385316906 VACUUM BREAKER KIT **INCLUDES ITEM 16.
17	385311164 1/2" SEALING GROMMET
18	385311919 CONTROL MODULE 12/24VDC
19	385311750 HOLE PLUG - WHITE 385311751 HOLE PLUG - BONE
20	385311920 93/9400 THUR FLOOR BASE KIT - 12VDC 385311921 93/9400 THUR FLOOR BASE KIT - 24VDC **INCLUDES ITEM 3-5 & 8-11.
21	385311924 JET VALVE ASSEMBLY - 12VDC 385311925 JET VALVE ASSEMBLY - 24VDC
NOT SHOWN	313600021 DOMETIC TOUCHPAD FLUSH SWITCH - WHITE 313600022 DOMETIC TOUCHPAD FLUSH SWITCH - BLACK
NOT SHOWN	385311926 1-1/2" SWING CHECK VALVE
NOT SHOWN	385312043 1-1/2" SWING CHECK VALVE-UNION



Domestic Corporation - Sanitation Systems  
13128 Slate Rt. 226, P.O. Box 38  
Big Prairie, OH 44611-0038 USA  
Telephone: 330-496-3211  
Fax: 330-496-3097  
Email: sealand@domesticusa.com

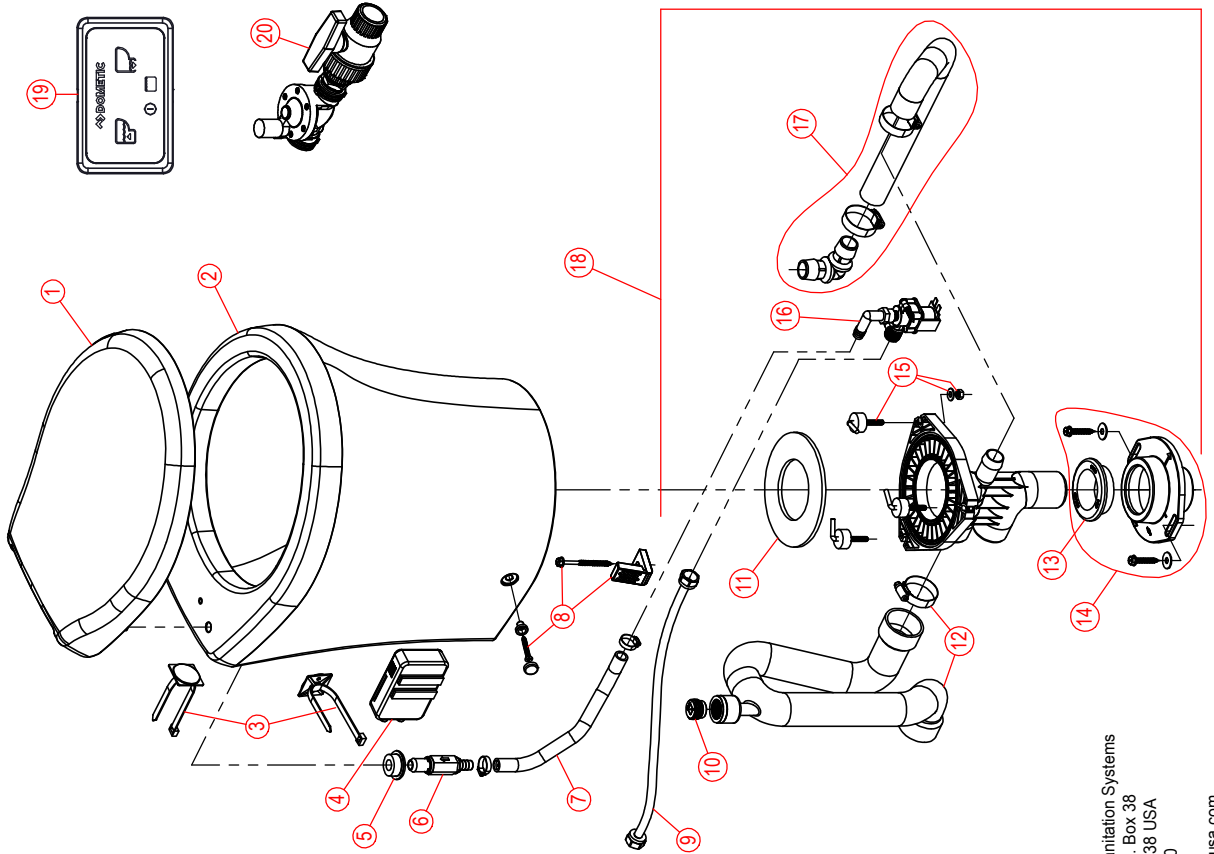
# PARTS LIST: 9640 MODEL SERIES (THRU-FLOOR DISCHARGE OPTION)

ITEM	PART NUMBER & DESCRIPTION
1	385311618 SEAT/COVER SLOW-CLOSE - WHITE
	385311619 SEAT/COVER SLOW-CLOSE - BONE
2	385311870 9640 BOWL KIT - WHITE
	385311871 9640 BOWL KIT - BONE
	**INCLUDES ITEM 5.
3	385311905 WATER VALVE KIT - 24VDC
4	385311910 WATER JET INLET TUBE KIT
5	385311011 BASE TO BOWL MOUNTING HARDWARE
6	385311111 1-1/2" SEALING GROMMET
7	385311911 FLOOR FLANGE/MTG ADAPTER KIT
	**INCLUDES ITEM 6.
8	385311912 DISCHARGE TUBE-THRU FLOOR
	**INCLUDES ITEM 9.
9	385880080 ANTISIPHON VALVE REPLACEMENT
10	385311914 BASE SEAL REPLACEMENT
11	385311018 WATER SUPPLY HOSE
12	385311463 BOWL MOUNTING HARDWARE KIT
13	385311919 CONTROL MODULE 12/24 VDC
14	385345377 BOWL WATER SUPPLY HOSE
	**INCLUDES HOSE CLAMPS.
15	385311456 CHECK VALVE KIT
	**INCLUDES ITEM 16.
16	385311164 1/2" SEALING GROMMET
17	385311915 COMPONENT MOUNTING STRAP KIT
	**KIT QUANTITY IS ONE SET.
18	385311921 93/94/96 THUR FLOOR BASE KIT - 24VDC
	**INCLUDES ITEM 3-5 & 8-11.
19	385311925 JET VALVE ASSEMBLY - 24VDC
20	313600022 DOMETIC TOUCHPAD FLUSH SWITCH - BLACK
NOT SHOWN	385311926 1-1/2" SWING CHECK VALVE
NOT SHOWN	385312043 1-1/2" SWING CHECK VALVE-UNION



Domestic Corporation - Sanitation Systems  
 13128 Slate Rt. 226, P.O. Box 38  
 Big Prairie, OH 44611-0038 USA  
 Telephone: 330-439-5550  
 Fax: 330-496-3097  
 Email: sealand@dometicusa.com

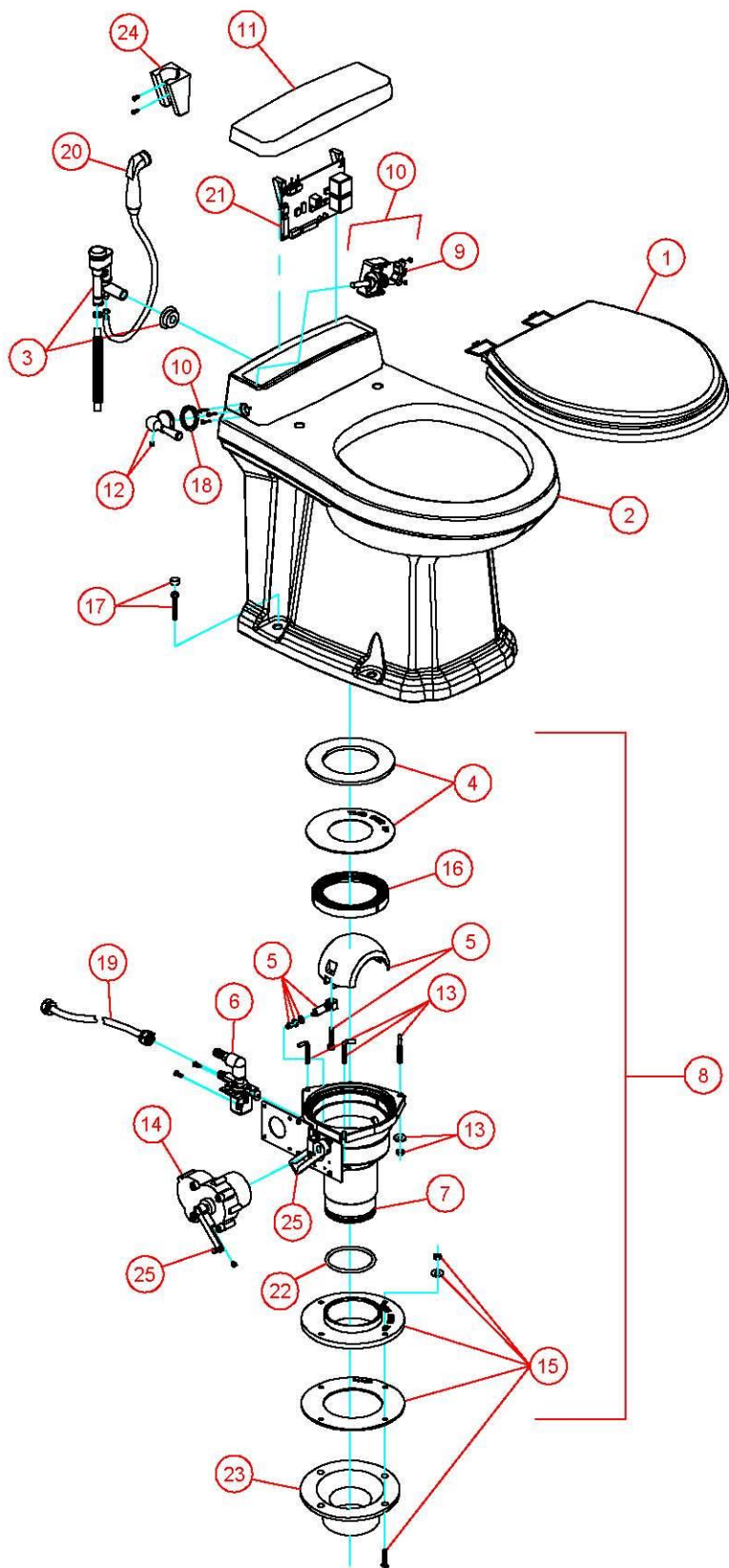
# PARTS LIST: 9840 MODEL (ABOVE FLOOR DISCHARGE OPTION)



ITEM	PART NUMBER & DESCRIPTION
1	385311618 - SEAT/COVER SLOW-CLOSE KIT - WHITE 385311619 - SEAT/COVER SLOW-CLOSE KIT - BONE
2	385311380 - BOWL KIT - WHITE 385311381 - BOWL KIT - BONE
3	385311915 - COMPONENT MOUNTING STRAP KIT **Kit Quantity is One Set.
4	385311919 - CONTROL MODULE 12/24 VDC
5	385311164 - 1/2" SEALING GROMMET
6	385311456 - BARBED CHECK VALVE REPLACEMENT **Includes Item #5.
7	385345377 - BOWL WATER SUPPLY HOSE **Includes Hose Clamps.
8	385311463 - BOWL MOUNTING HARDWARE KIT
9	385311018 - WATER SUPPLY HOSE 1/2 FPT
10	385880080 - ANTISIPHON VALVE REPLACEMENT
11	385311914 - BASE SEAL REPLACEMENT
12	385311913 - DISCHARGE TUBE-ABOVE FLOOR **Includes Item #10.
13	385311111 - 1-1/2" SEALING GROMMET
14	385311911 - FLOOR FLANGE/MTG ADAPTER KIT **Includes Item #13.
15	385311011 - BASE TO BOWL MOUNTING HARDWARE
16	385311905 - WATER VALVE KIT - 24VDC
17	385311910 - WATER JET INLET TUBE KIT
18	385311923 - 9000 SERIES ABOVE FLOOR BASE KIT-24VDC **Includes #9-12 & #15-17.
19	313600022 - DOMETIC TOUCHPAD FLUSH SWITCH-BLACK
20	385311925 - JET VALVE ASSEMBLY - 24VDC
NOT SHOWN	385311926 - 1-1/2" SWING CHECK VALVE
NOT SHOWN	385312043 - 1-1/2" SWING CHECK VALVE-UNION

Dometic Corporation - Sanitation Systems  
13128 State Rt. 226, P.O. Box 38  
Big Prairie, OH 44611-0038 USA  
Telephone: 330-439-5550  
Fax: 330-496-3097  
Email: sealand@dometicusa.com

# PARTS LIST: 3010 PLUG IN BASE

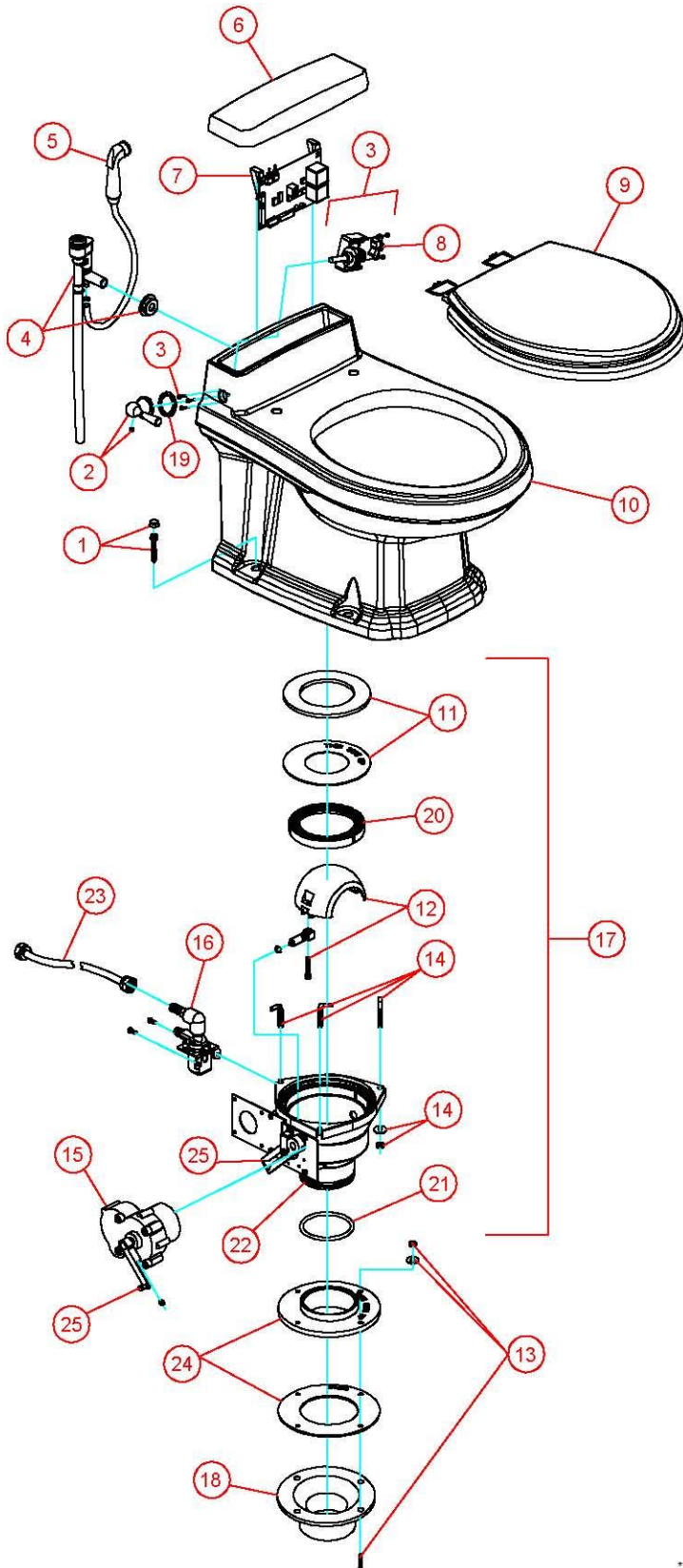


ITEM	PART NUMBER	DESCRIPTION
1	385344013	SEAT & COVER , WHITE
	385344014	SEAT & COVER , BONE
	385344018	SEAT & COVER , PLATINUM
	385344019	SEAT & COVER , EBONY
2	385310811	CHINA BOWL , WHITE
	385310812	CHINA BOWL , BONE
	385310867	CHINA BOWL , PLATINUM
	385310869	CHINA BOWL , EBONY
3	385310807	VACUUM BREAKER ASSEMBLY
	385310808	VACUUM BREAKER ASSY-HAND SPRAY MODEL
4	385311009	KIT, SEAL PLUG IN BASE
5	385310969	SHAFT/HALF BALL KIT
	385310971	SHAFT/HALF BALL KIT EBONY
6	385310821	WATER VALVE w/MOUNTING SCREWS (12VDC)
7	385311051	BASE 3010 PLUG IN
8	385311050	COMPLETE BASE 3010 PLUG IN (INCLUDES ITEMS 4-7, 13-14,16,19,22)
9	385310965	KIT, ROCKER SWMTCB W/CABLE
10	385310964	FLUSH CONTROL ASSY (INCLUDES CABLE)
11	385310851	ACCESS COVER, WHITE
	385310852	ACCESS COVER, BONE
	385310864	ACCESS COVER, PLATINUM
	385310866	ACCESS COVER, EBONY
12	385310962	FLUSH HANDLE WITH SET SCREW, CHROME
	385310963	FLUSH HANDLE WITH SET SCREW, GOLD
	385344141	KIT, FLUSH HANDLE-NICKLE
13	385311011	L- BOLTS/NUTS W/WASH/ PLUG IN BASE
14	385310822	MOTOR & MOUNTING HARDWARE (12VDC)
15	385311013	FLOOR FLANGE ADAPTER KIT
16	385311292	RING, BASE INSERT
17	385310813	CHINA BOWL MOUNTING KIT, CHROME
	385310814	CHINA BOWL MOUNTING KIT, GOLD
18	600344695	WASHER, FLUSH HANDLE
19	385311018	SUPPLY HOSE
20	385310809	HAND SPRAY, CHROME
	385310873	HAND SPRAY, EBONY
21	385310887	CONTROL MODULE KIT- 12VDC
22	385311294	O'RING 3.1 X 3.5 X .21
23	385343765	FLOOR FLANGE 3" SPIGOT (sold separately)
	385345892	FLOOR FLANGE 3" HUB (sold separately)
	385345889	FLOOR FLANGE 3" MALE PIPE THREAD (sold separately)
	307344653	FLOOR FLANGE 45° SWMVEL. (sold separately)
24	385311131	BRACKET CHROME (includes screws)
	385311125	BRACKET EBONY (includes screws)
25	385311417	KIT, BASE DRIVE ARMS
N/S	385310854	ACCESS COVER MOUNTING KIT

\* WHENEVER THE BASE IS REMOVED, YOU MUST REPLACE THE L-BOLTS AND NUTS.



# PARTS LIST: 3011



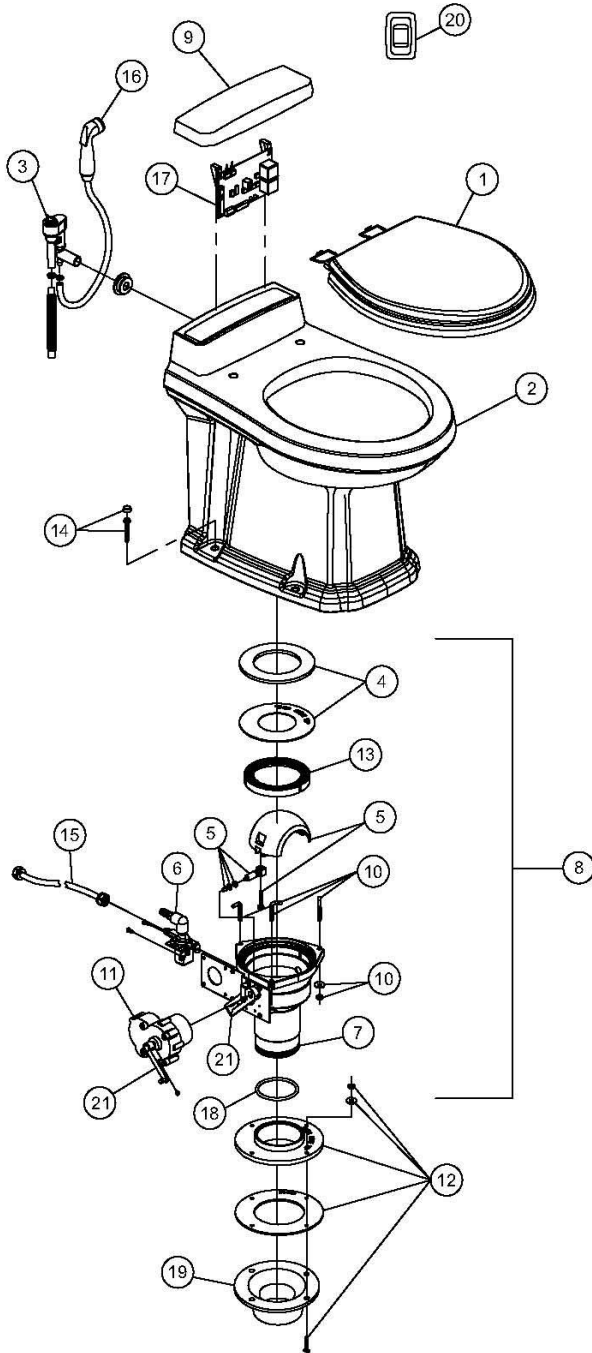
ITEM	3011	DESCRIPTION
1	385310813	CHINA BOWL MOUNTING KIT, CHROME
	385310814	CHINA BOWL MOUNTING KIT, GOLD
2	385310962	KIT, FLUSH HANDLE-CHROME (MO)
	385310963	KIT, FLUSH HANDLE-GOLD (MO)
	385311141	KIT, FLUSH HANDLE-NICKLE
3	385310964	KIT, FLUSH MECH (MO) (INCLUDES CABLE)
4	385310807	KIT, VAC BRK'R ASY/PLUGIN BASE
	385310808	KIT, VAC BRK'K SPRAY/PLUGIN BS
5	385310809	KIT, HAND SPRAY-CHROME
	385310873	KIT, SPRAY-EBONY
6	385310851	KIT,ACCESS LID/MAGNUM OPUS WHT
	385310852	KIT,ACCESS LID/MAGNUM OPUS BON
	385310864	KIT,ACCESS LID/MAGNUM OPUS BON
	385310866	KIT,ACCESS LID/MAGNUM OPUS EBY
7	385310887	KIT,MAG OPUS C BOARD-12/TRAV
8	385310965	KIT, ROCKER ST'CH/CABLE (MO)
9	385344013	KIT, SEAT-CV'R MAG OP-WHITE
	385344014	KIT, SEAT-CV'R MAG OP-BONE
	385344018	KIT, SEAT-CV'R MAG OP-PLAT
	385344019	KIT, SEAT-CV'R MAG OP-EBONY
10	385310857	KIT,BOWL 3011/3006 - WHITE
	385310858	KIT,BOWL 3011/3006 - BONE
	385310870	KIT,BOWL 3011/3006/PLAT
	385310872	KIT,BOWL 3011/3006/EBONY
11	385310819	KIT, BALL SEAL/MAGNUM OPUS
12	385310969	KIT, MO HALFBL/SHAFT AY-WHT
	385310971	KIT, MO HALFBL/SHAFT AY-EBY
13	385310064	KIT, MOUNT-TRAVELER-506/806
14	385311011	KIT, CON'TO L-BOLT/NUTS/WSHR
15	385310822	MOTOR & MOUNTING HARDWARE (12VDC)
16	385310821	WATER VALVE w/MOUNTING SCREWS (12VDC)
17	385311471	KIT, BASE ASSY MO3011(PLUGIN) (18 NOT INC)
18	385343765	FLOOR FLANGE 3" SPIGOT (sold separately)
	385345892	FLOOR FLANGE 3" HUB (sold separately)
	385345889	FLOOR FLANGE 3" MPT (sold separately)
	307344653	FLOOR FLANGE 45° SWIVEL (sold separately)
19	600344695	WASHER, FLUSH HANDLE
20	385311292	KIT, BASE RING INSERT
21	385311294	KIT, O'RING PLUG-IN BASE
22	385311053	KIT, BASE '06 PLUGIN
23	385311018	KIT, PLUG-IN SUPPLY HOSE
24	385311013	KIT, CON'TO FLOOR FLANGE ADPT (inc. 13)
25	385311417	KIT, BASE DRIVE ARMS
N/S	385310854	ACCESS COVER MOUNTING KIT

\* ITEM 17 INCLUDES 11-12,14-16,20-23

Dometic Corporation - Sanitation Systems  
 13128 State Rt. 226, P.O. Box 38  
 Big Prairie, OH 44611-0038 USA  
 Telephone: 330-496-3211  
 11/13/17 Fax: 330-496-3097  
 Email: sealand@dometicusa.com

\* WHENEVER THE BASE IS REMOVED, YOU MUST REPLACE THE L-BOLTS AND NUTS.

## PARTS LIST: 3110 PLUG IN BASE

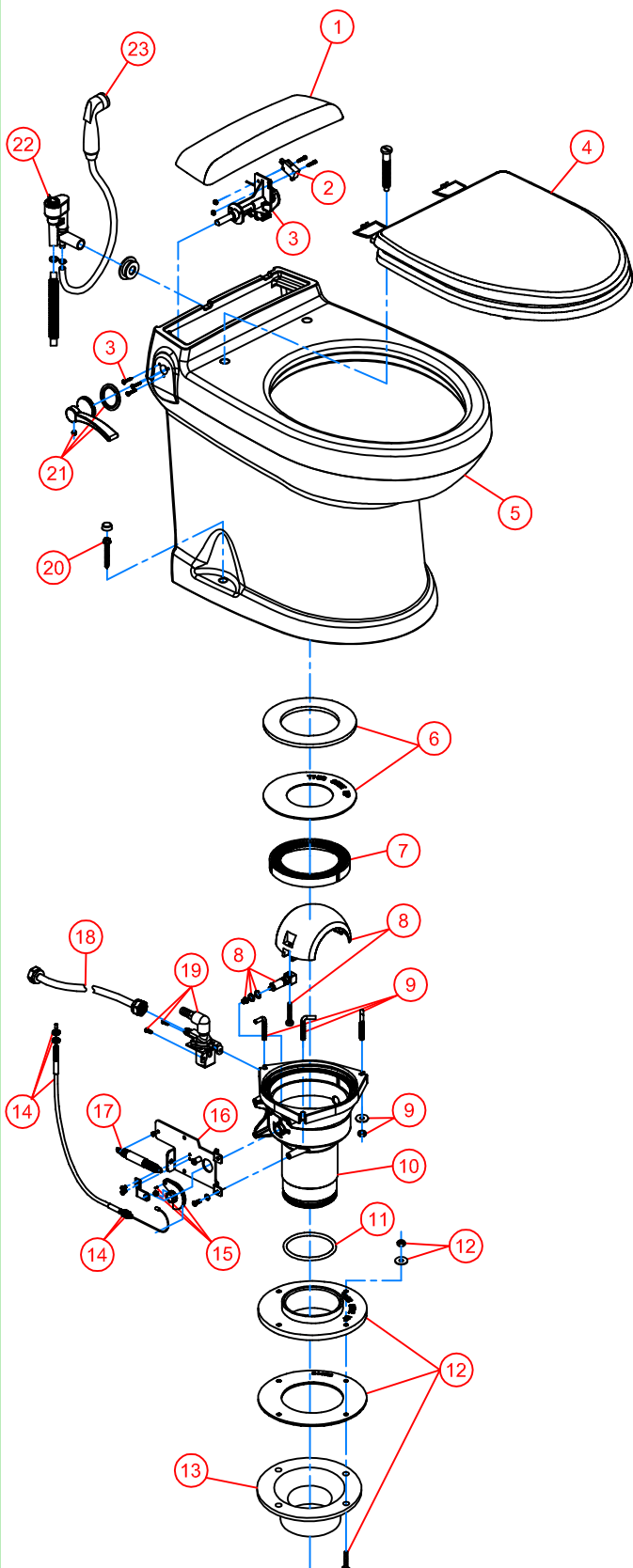


ITEM	PART NUMBER	DESCRIPTION
1	385344013	KIT, SEAT-CV'R MAG OP-WHITE
	385344014	KIT, SEAT-CV'R MAG OP-BONE
	385344018	KIT, SEAT-CV'R MAG OP-PLAT
	385344019	KIT, SEAT-CV'R MAG OP-EBONY
2	385310811	KIT,BOWL MAGNUM OPUS WHT TALL
	385310812	KIT,BOWL MAGNUM OPUS BONE TALL
	385310867	KIT,BOWL MAGNUM OPUS PLAT TALL
	385310869	KIT,BOWL MAGNUM OPUS EBY TALL
3	385310807	KIT, VAC BRK'R ASY/PLUGIN BASE
	385310808	KIT, VAC BRK'K SPRAY/PLUGIN BS
4	385311009	KIT, PLUG IN BASE SEALS
5	385310969	KIT, MO HALFB'L/SHAFT AY-WHT
	385310971	KIT, MO HALFB'L/SHAFT AY-EBY
6	385310821	KIT, WATER VALVE12/MAGNUM OPUS
7	385311051	KIT, BASE 3010 ASSY (INC. 4,5,10,13)
8	385311050	KIT, BASE 3010 PLUGIN COMPLETE
9	385310851	KIT,ACCESS LID/MAGNUM OPUS WHT
	385310852	KIT,ACCESS LID/MAGNUM OPUS BON
	385310864	KIT,ACCESS LID MAG OPUS/PLAT
	385310866	KIT,ACCESS LID/MAGNUM OPUS EBY
10	385311011	KIT, CON'TO L-BOLT/NUTS/WSHR
11	385310822	KIT, 12 MOTOR/MTG HARDWARE MO
12	385311013	KIT, CON'TO FLOOR FLANGE ADPT
13	385311292	KIT, BASE RING INSERT
14	385310785	KIT, MOUNTING-ECOVAC - BONE
	385310679	KIT, MOUNTING-ECOVAC - WHITE
	385310813	KIT, MOUNT/MAGNUM OPUS/CHROME
	385310814	KIT, MOUNT/MAGNUM OPUS/GOLD
15	385311018	KIT, PLUG-IN SUPPLY HOSE
16	385310809	KIT, HAND SPRAY-CHROME
	385310873	KIT,SPRAY-EBONY
17	385310887	KIT,MAG OPUS C BOARD-12/TRAV
18	385311294	KIT, O'RING PLUG-IN BASE
19	385343765	FLOOR FLANGE 3" SPIGOT (NOT INC.)
	385345892	FLOOR FLANGE 3" HUB (NOT INC.)
	385345889	FLOOR FLANGE 3" MPT (NOT INC.)
	307344653	FLOOR FLANGE 45° SWIVEL (NOT INC.)
20	385311139	KIT, WALL MT SWITCH-GRAVITY (CABLE INC. 8')
21	385311417	KIT, BASE DRIVE ARMS
N/S	385310854	KIT,ACCESS LID MT/MAGNUM OPUS

\* WHENEVER THE BASE IS REMOVED, YOU MUST REPLACE THE L-BOLTS AND NUTS.

Dometic Corporation - Sanitation Systems  
13128 State Rt. 226, P.O. Box 38  
Big Prairie, OH 44611-0038 USA  
Telephone: 330-496-3211  
Fax: 330-496-3097  
Email: sealand@dometicsusa.com

# PARTS LIST: 3200 SERIES



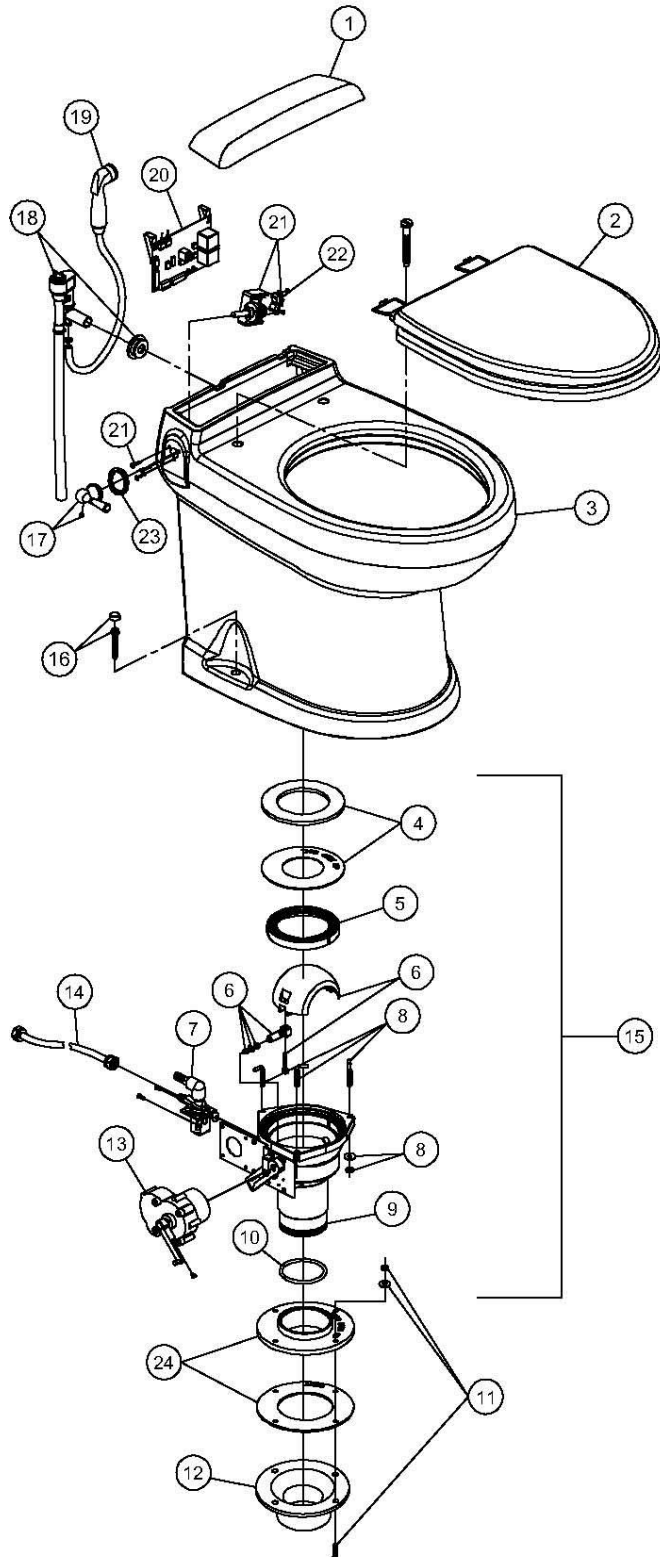
ITEM	PART NO.	DESCRIPTION
1	385311001	ACCESS COVER, WHITE
	385311002	ACCESS COVER, BONE
2	385311003	FLUSH SWITCH ASSY
3	385311004	FLUSH SHAFT HANDLE KIT
4	385311005	SEAT & LID WHITE
	385311006	SEAT & LID BONE
5	385311007	CHINA BOWL, WHITE (inc. lid & dual lock)
	385311008	CHINA BOWL, BONE (inc. lid & dual lock)
6	385311009	BOWL SEAL KIT
7	385311292	RING BASE INSERT
8	385311010	SHAFT/HALF BALL KIT
9	385311011	J-BOLT W/NUTS, WASHER
10	385311028	CONCERTO BASE
11	385311294	O'RING 3.1 X 3.5 X .21
12	385311013	FLOOR FLANGE ADAPTER KIT
13*	385343765	FLOOR FLANGE 3" SPIGOT
	385345892	FLOOR FLANGE 3" HUB
	385345889	FLOOR FLANGE 3" MALE PIPE THREAD
	385310961	FLOOR FLANGE 45° SWIVEL *must use with seal included in kit.
14	385311014	FLUSH CABLE KIT
15	385311015	PULLEY KIT
16	385311016	BASE BRACKET
17	385311017	RETURN SPRING KIT
18	385311018	SUPPLY, HOSE
19	385310821	KIT, WATER VALVE12
20	385311020	MOUNTING HARDWARE CHROME
	385311021	MOUNTING HARDWARE GOLD
	385311022	KIT, CON'TO MT'G HARD-BONE/WHT
21	385311023	FLUSH HANDLE CHROME
	385311024	FLUSH HANDLE GOLD
	385311025	FLUSH HANDLE NICKEL
22	385310807	KIT, VAC BRK'R ASY/PLUGIN BASE
	385310808	KIT, VAC BRK'K SPRAY/PLUGIN BASE
23	385310809	HAND SPRAY, CHROME

\*ITEM 13 SOLD SEPARATELY

Dometic Corporation - Sanitation Systems  
13128 State Rt. 226, P.O. Box 38  
Big Prairie, OH 44611-0038 USA  
Telephone: 330-439-5500  
Fax: 330-496-3097  
Email: sealand@dometicusa.com



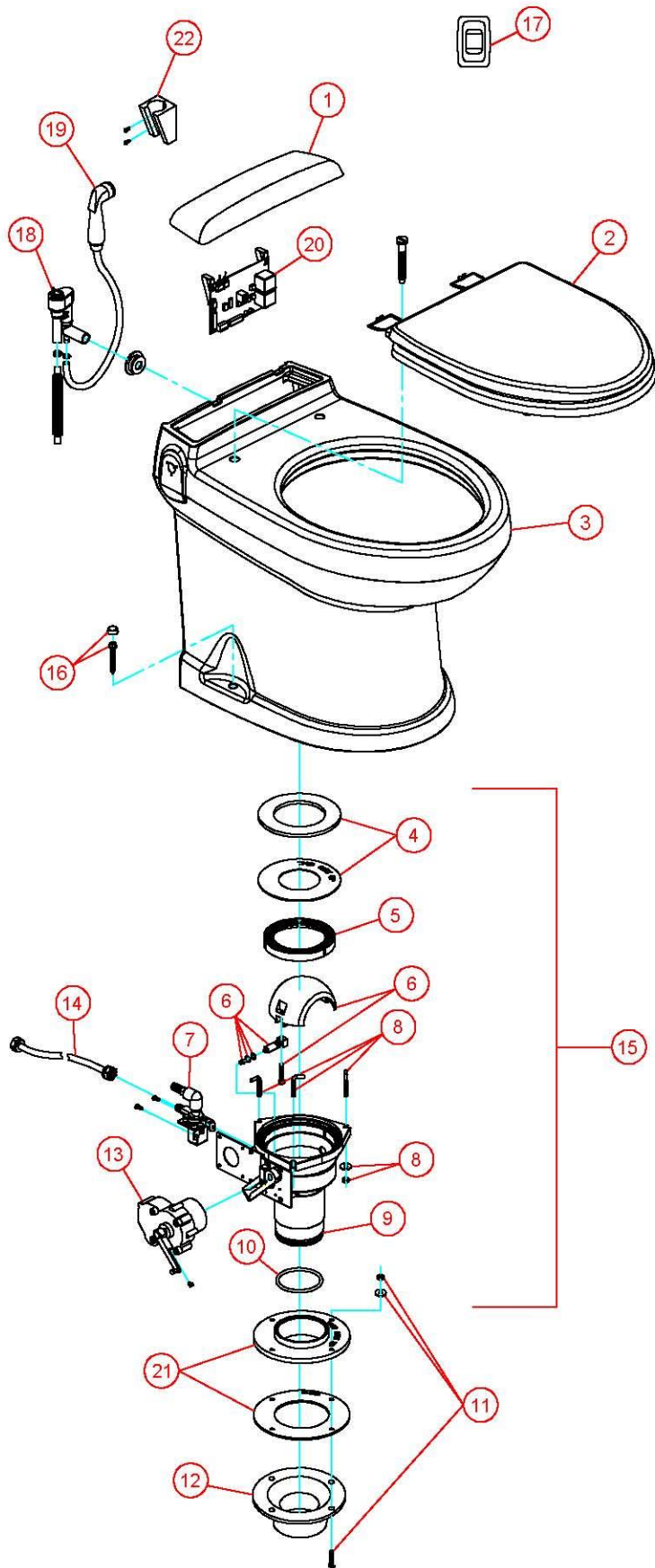
# PARTS LIST: 3310 PLUG IN BASE



ITEM	PART NUMBER	DESCRIPTION
1	385311001	ACCESS COVER, WHITE
	385311002	ACCESS COVER, BONE
2	385311005	SEAT & COVER - WHITE
	385311006	SEAT & COVER - BONE
3	385311007	CHINA BOWL, WHITE
	385311008	CHINA BOWL, BONE
4	385311009	KIT, SEAL PLUG IN BASE
5	385311292	KIT, BASE RING INSERT
6	385310969	SHAFT/ HALF BALL KIT
7	385310821	WATER VALVE w/MOUNTING SCREWS (12VDC)
8	385311011	L- BOLTS/NUTS WASH/ PLUG IN BASE
9	385311051	BASE PLUG IN (inc. item 8 - 10)
10	385311294	KIT, O'RING PLUG-IN BASE
11	385310064	MOUNTING KIT
12	385343765	FLOOR FLANGE 3" SPIGOT (sold separately)
	385345892	FLOOR FLANGE 3" HUB (sold separately)
	385345889	FLOOR FLANGE 3" MALE PIPE THREAD (sold separately)
	307344653	FLOOR FLANGE 4.5" SWIVEL (sold separately)
13	385310822	MOTOR & MOUNTING HARDWARE (12VDC)
14	385311018	SUPPLY HOSE
15	385311177	COMPLETE BASE 3310 PLUG IN (INCLUDES ITEMS 4-11&12)
16	385310679	MOUNTING KIT - WHITE
	385310785	MOUNTING KIT - BONE
17	385310962	FLUSH HANDLE WITH SET SCREW, CHROME
	385310963	FLUSH HANDLE WITH SET SCREW, GOLD
	385311141	FLUSH HANDLE WITH SET SCREW, NICKEL
18	385311026	VACUUMBREAKER KIT
	385311027	VACUUM BREAKER KIT - WITH SPRAY
19	385310809	HAND SPRAY
20	385311174	CONTROL MODULE 12VDC GRAVITY
21	385311175	FLUSH CONTROL ASSEMBLY w/CABLE
22	385311176	ROCKER SWITCH w/CABLE
23	600344695	WASHER, FLUSH HANDLE
24	385311013	FLOOR FLANGE ADAPTER KIT
N/S	385310854	ACCESS COVER MOUNTING KIT
N/S	385311417	KIT, BASE DRIVE ARMS

Dometic Corporation - Sanitation Systems  
13128 State Rt. 226, P.O. Box 38  
Big Prairie, OH 44611-0038 USA  
Telephone: 330-496-3211  
Fax: 330-496-3097  
Email: sealand@dometicusa.com

# PARTS LIST: 3410 PLUG IN BASE

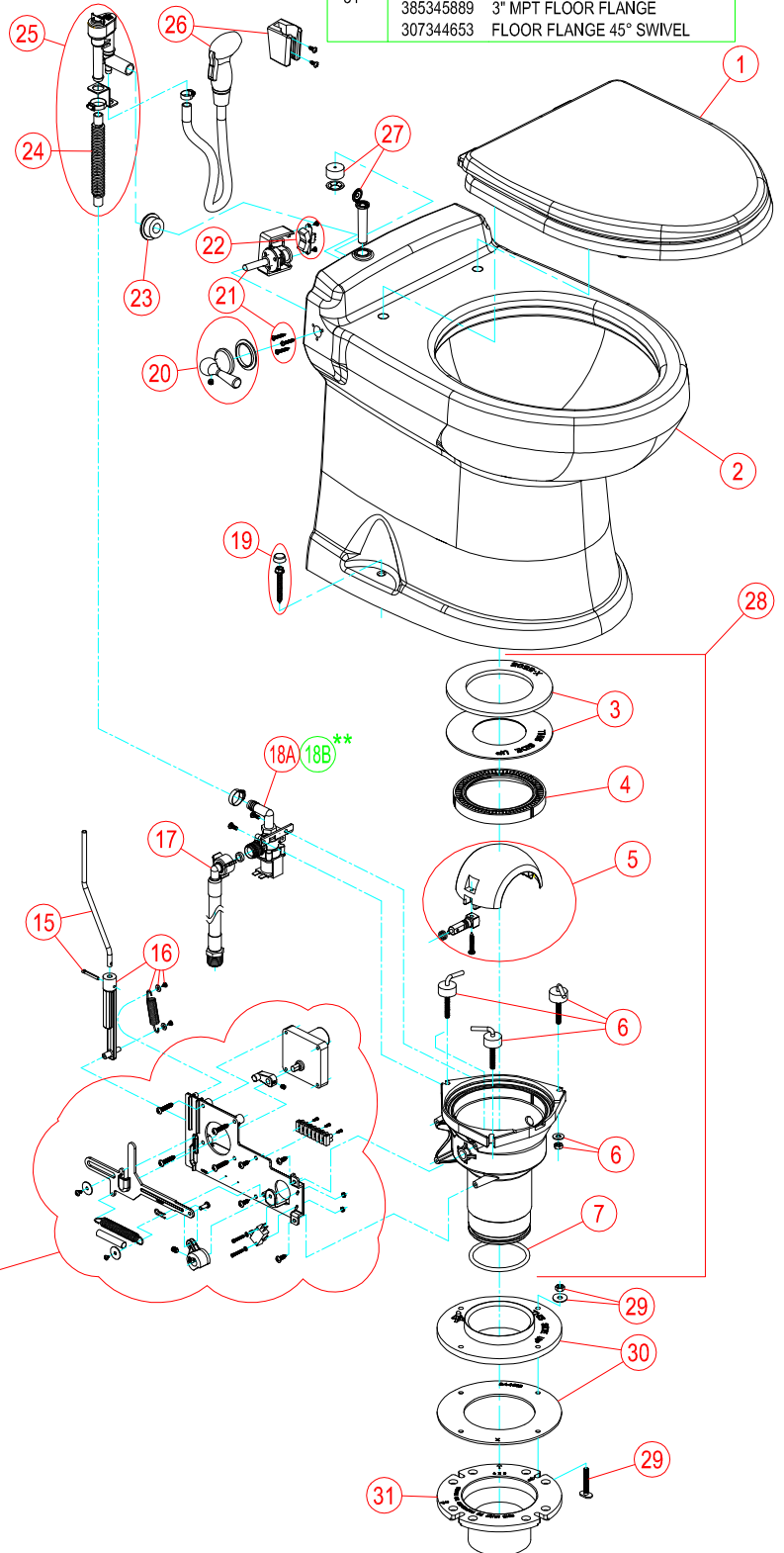


ITEM	PART NUMBER	DESCRIPTION
1	385311001	ACCESS COVER, WHITE
	385311002	ACCESS COVER, BONE
2	385311005	SEAT & COVER - WHITE
	385311006	SEAT & COVER - BONE
3	385311007	CHINA BOWL, WHITE
	385311008	CHINA BOWL, BONE
4	385311009	KIT, SEAL PLUG IN BASE
5	385311292	KIT, BASE RING INSERT
6	385310969	SHAFT/ HALF BALL KIT
7	385310821	WATER VALVE w/MOUNTING SCREWS (12VDC)
8	385311011	L- BOLTS/NUTS /WASH/ PLUG IN BASE
9	385311051	BASE PLUG IN (inc. item 8 - 10)
10	385311294	KIT, O'RING PLUG-IN BASE
11	385310064	MOUNTING KIT
12	385343765	FLOOR FLANGE 3" SPIGOT (sold separately)
	385345892	FLOOR FLANGE 3" HUB (sold separately)
	385345889	FLOOR FLANGE 3" MALE PIPE THREAD (sold separately)
	307344653	FLOOR FLANGE 45° SWIVEL (sold separately)
13	385310822	MOTOR & MOUNTING HARDWARE (12VDC)
14	385311018	SUPPLY HOSE
15	385311177	COMPLETE BASE PLUG IN (INCLUDES ITEMS 4-11 & 13)
16	385310679	MOUNTING KIT - WHITE
	385310785	MOUNTING KIT - BONE
17	385311139	WALL SWITCH - CABLE INC.
18	385311026	VACUUM BREAKER KIT
	385311027	VACUUM BREAKER KIT - WITH SPRAY
19	385310809	KIT, HAND SPRAY-CHROME
20	385311174	CONTROL MODULE 12VDC GRAVITY
21	385311013	FLOOR FLANGE ADAPTER KIT (inc. item 11)
22	385311131	SPRAY BRACKET CHROME
N/S	385310854	ACCESS COVER MOUNTING KIT
N/S	385311417	KIT, BASE DRIVE ARMS

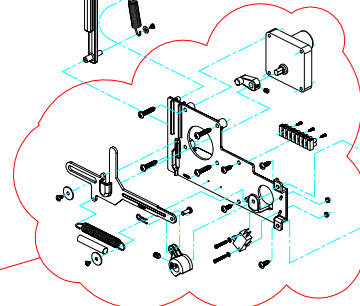
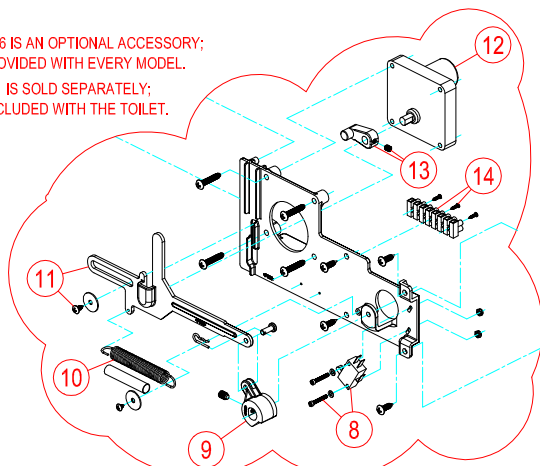
# PARTS LIST: 4310 MODEL

ITEM	PART NUMBER & DESCRIPTION					
1	385311005 SEAT/COVER - WHITE	27	385311733 MANUAL OVERRIDE GUIDE - WHITE	29	385310064 FLOOR FLANGE MOUNTING HARDWARE	
	385311006 SEAT/COVER - BONE		385311734 MANUAL OVERRIDE GUIDE - BONE		30	385311013 FLOOR FLANGE ADAPTER KIT
	385311597 SEAT/COVER - EBONY		385311735 MANUAL OVERRIDE GUIDE - EBONY			**INCLUDES ITEMS 30
2	385311730 4300/4400 BOWL KIT - WHITE	28	385311729 4310/4410 PLUG-IN BASE KIT - WHITE	31**	385343765 3" SPIGOT FLOOR FLANGE	
	385311731 4300/4400 BOWL KIT - BONE		4310/4410 PLUG-IN BASE KIT - EBONY		385345892 3" SOCKET FLOOR FLANGE	
	385311732 4300/4400 BOWL KIT - EBONY		**INCLUDES ITEM 3-16 & 18		385345889 3" MPT FLOOR FLANGE	
					307344653 FLOOR FLANGE 45° SWIVEL	

3	385311009 FLUSH BALL SEAL REPL KIT **INCLUDES ITEM 6
4	385311292 BASE FLUSH BALL RING KIT
5	385310969 FLUSH BALL/SHAFT REPL KIT
6	385311011 BASE TO BOWL MOUNTING HARDWARE
7	385311294 BASE O'RING REPL KIT
8	385311003 FLUSH ACTUATION SWITCH
9	385311296 FLUSH BALL CAM REPL KIT
10	385311297 FLUSH MECHANISM RETURN SPRING
11	385311303 FLUSH MECHANISM LINKAGE
12	385311300 MOTOR REPLACEMENT KIT - 12VDC
13	385311299 MOTOR DRIVE ARM REPL KIT
14	385311298 WIRING TERMINAL BLOCK REPL
15	385311736 MANUAL OVERRIDE REPL ROD
16	385311301 MANUAL O'RIDE REPL RETURN SPRING
17	385311547 WATER SUPPLY HOSE
18A	385311545 WATER VALVE KIT - 12VDC
18B	385311709 RETROFIT WATER VALVE KIT - 12VDC **INCLUDES MOUNTING BRACKET. **FOR 2009 & OLDER MODEL TOILETS.
19	385311022 BOWL MOUNTING HARDWARE
20	385310962 FLUSH HANDLE KIT - CHROME
	385310963 FLUSH HANDLE KIT - GOLD
	385311141 FLUSH HANDLE KIT - NICKLE
21	385311291 FLUSH HANDLE ASSEMBLY **INCLUDES ITEM 22
22	385311290 FLUSH HANDLE SWITCH w/WIRING
23	385311111 1-1/2" SEALING GROMMET
24	385311869 CORRUGATED BOWL SUPPLY HOSE
25	385310807 VACUUM BREAKER KIT
	385310808 VACUUM BREAKER KIT FOR HAND SPRAY **INCLUDES ITEM 23
26*	385310809 HAND SPRAYER - CHROME
	385310873 HAND SPRAYER - EBONY **INCLUDES ITEM 27



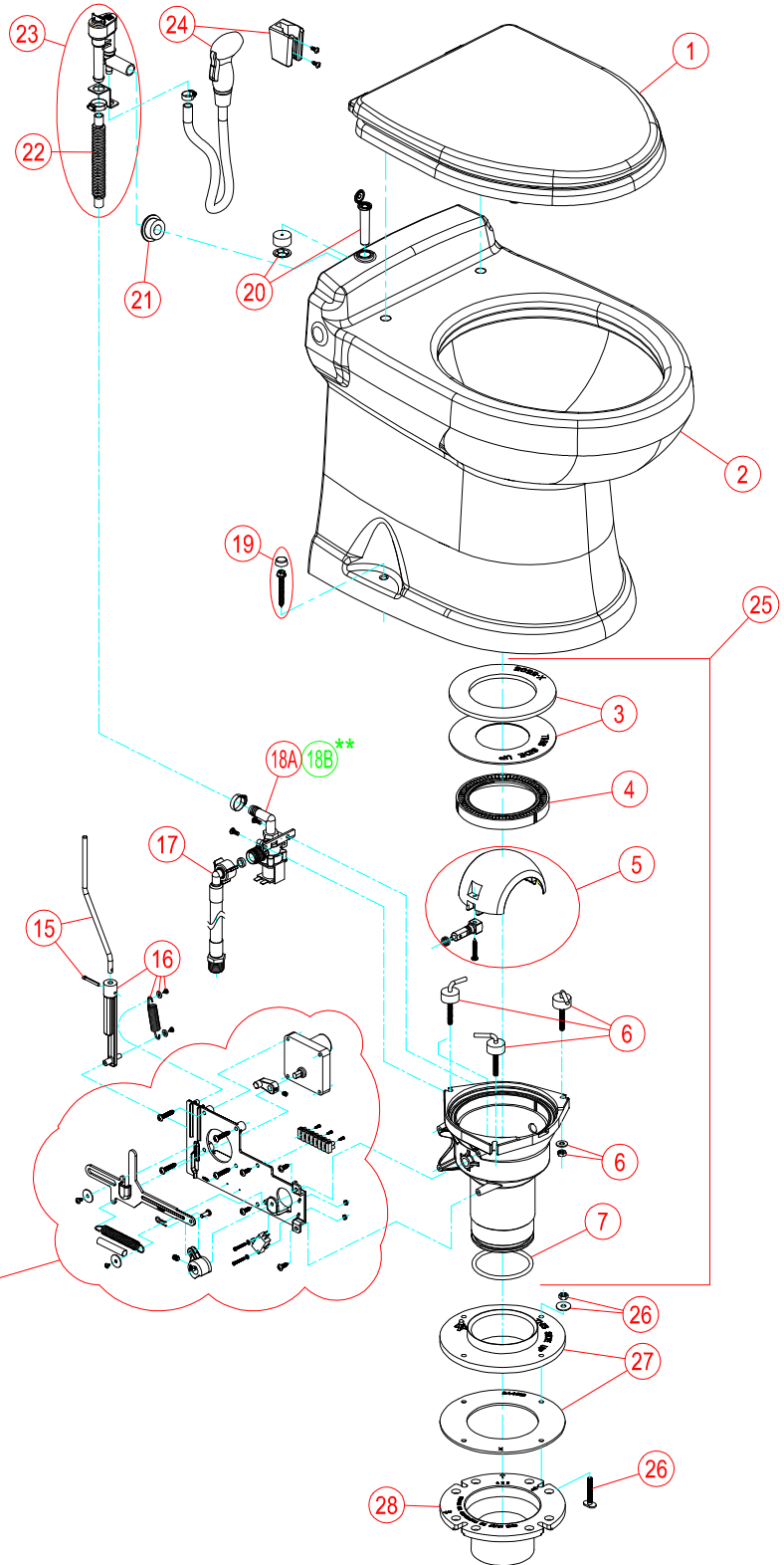
\* ITEMS 26 IS AN OPTIONAL ACCESSORY;  
NOT PROVIDED WITH EVERY MODEL.  
\*\* ITEM 31 IS SOLD SEPARATELY;  
NOT INCLUDED WITH THE TOILET.



Dometic Corporation - Sanitation Systems  
13128 State Rt. 226, P.O. Box 38  
Big Prairie, OH 44611-0038 USA  
Telephone: 330-439-5550  
Fax: 330-496-3097  
Email: sealand@dometicusa.com

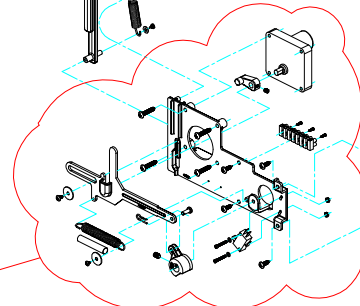
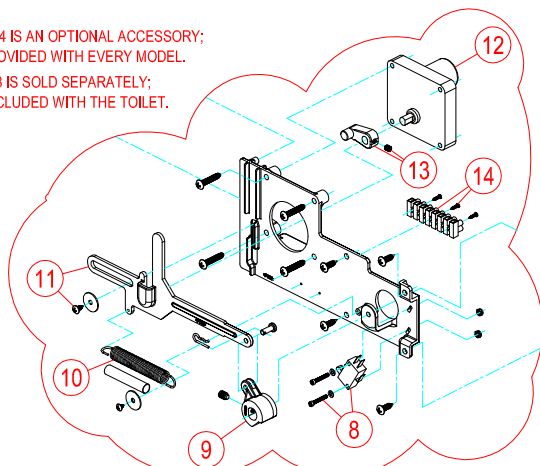
# PARTS LIST: 4410 MODEL

ITEM	PART NUMBER & DESCRIPTION	26	385310064 FLOOR FLANGE MOUNTING HARDWARE	28**	385343765 3" SPIGOT FLOOR FLANGE
1	385311005 SEAT/COVER - WHITE	27	385311013 FLOOR FLANGE ADAPTER KIT **INCLUDES ITEMS 27		385345892 3" SOCKET FLOOR FLANGE
	385311006 SEAT/COVER - BONE				385345889 3" MPT FLOOR FLANGE
	385311597 SEAT/COVER - EBONY				307344653 FLOOR FLANGE 45° SWIVEL
385311730 4300/4400 BOWL KIT - WHITE					
2	385311731 4300/4400 BOWL KIT - BONE				
	385311732 4300/4400 BOWL KIT - EBONY				
	**INCLUDES ITEM 6				
3	385311009 FLUSH BALL SEAL REPL KIT **INCLUDES ITEM 6				
4	385311292 BASE FLUSH BALL RING KIT				
5	385310969 FLUSH BALL/SHAFT REPL KIT				
6	385311011 BASE TO BOWL MOUNTING HARDWARE				
7	385311294 BASE O'RING REPL KIT				
8	385311003 FLUSH ACTUATION SWITCH				
9	385311296 FLUSH BALL CAM REPL KIT				
10	385311297 FLUSH MECHANISM RETURN SPRING				
11	385311303 FLUSH MECHANISM LINKAGE				
12	385311300 MOTOR REPLACEMENT KIT - 12VDC				
13	385311299 MOTOR DRIVE ARM REPL KIT				
14	385311298 WIRING TERMINAL BLOCK REPL				
15	385311736 MANUAL OVERRIDE REPL ROD				
16	385311301 MANUAL O'RIDE REPL RETURN SPRING				
17	385311547 WATER SUPPLY HOSE				
18A	385311545 WATER VALVE KIT - 12VDC				
18B	385311709 RETROFIT WATER VALVE KIT - 12VDC **INCLUDES MOUNTING BRACKET. **FOR 2009 & OLDER MODEL TOILETS.				
19	385311022 BOWL MOUNTING HARDWARE				
20	385311733 MANUAL OVERRIDE GUIDE - WHITE				
	385311734 MANUAL OVERRIDE GUIDE - BONE				
	385311735 MANUAL OVERRIDE GUIDE - EBONY				
21	385311111 1-1/2" SEALING GROMMET				
22	385311869 CORRUGATED BOWL SUPPLY HOSE				
23	385310807 VACUUM BREAKER KIT				
	385310808 VACUUM BREAKER KIT FOR HAND SPRAY **INCLUDES ITEM 21				
24*	385310809 HAND SPRAYER - CHROME				
	385310873 HAND SPRAYER - EBONY **INCLUDES ITEM 25				
25	385311729 4310/4410 PLUG-IN BASE KIT - WHITE				
	385311737 4310/4410 PLUG-IN BASE KIT - EBONY **INCLUDES ITEM 3-16 & 18				



\*ITEMS 24 IS AN OPTIONAL ACCESSORY;  
NOT PROVIDED WITH EVERY MODEL.

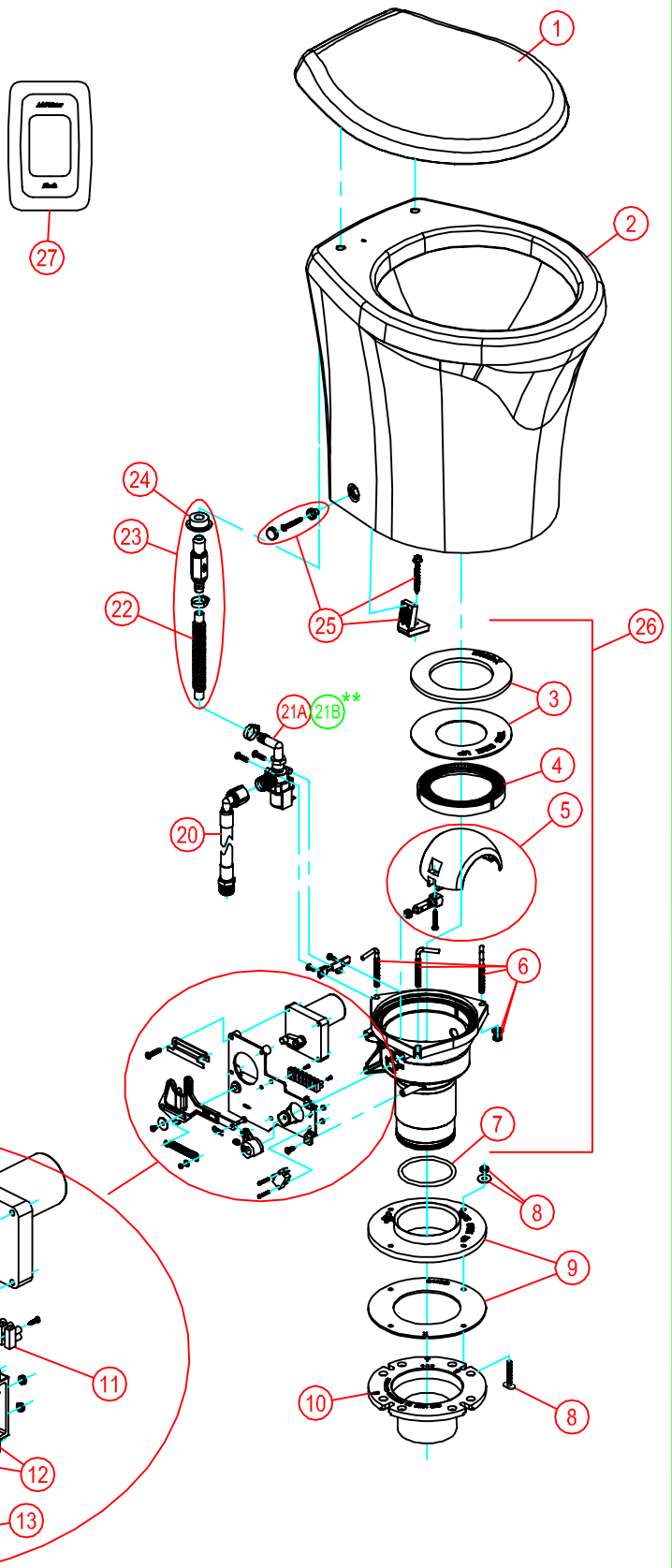
\*\*ITEM 28 IS SOLD SEPARATELY;  
NOT INCLUDED WITH THE TOILET.



Dometic Corporation - Sanitation Systems  
13128 State Rt. 226, P.O. Box 38  
Big Prairie, OH 44611-0038 USA  
Telephone: 330-439-5550  
Fax: 330-496-3097  
Email: sealand@dometicus.com

# PARTS LIST: 4810 MODEL SERIES - 302481510

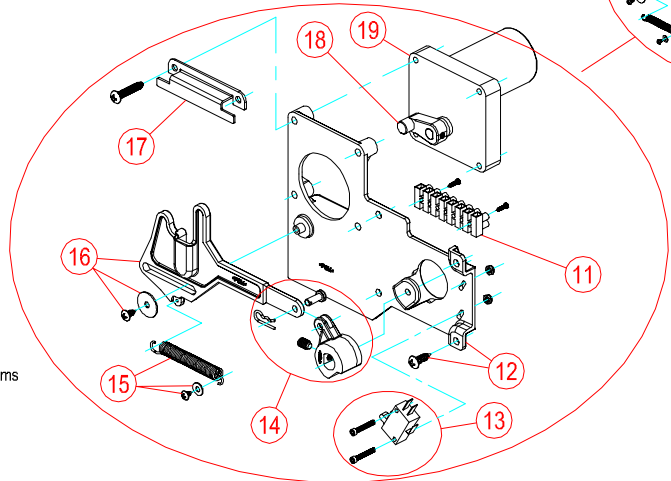
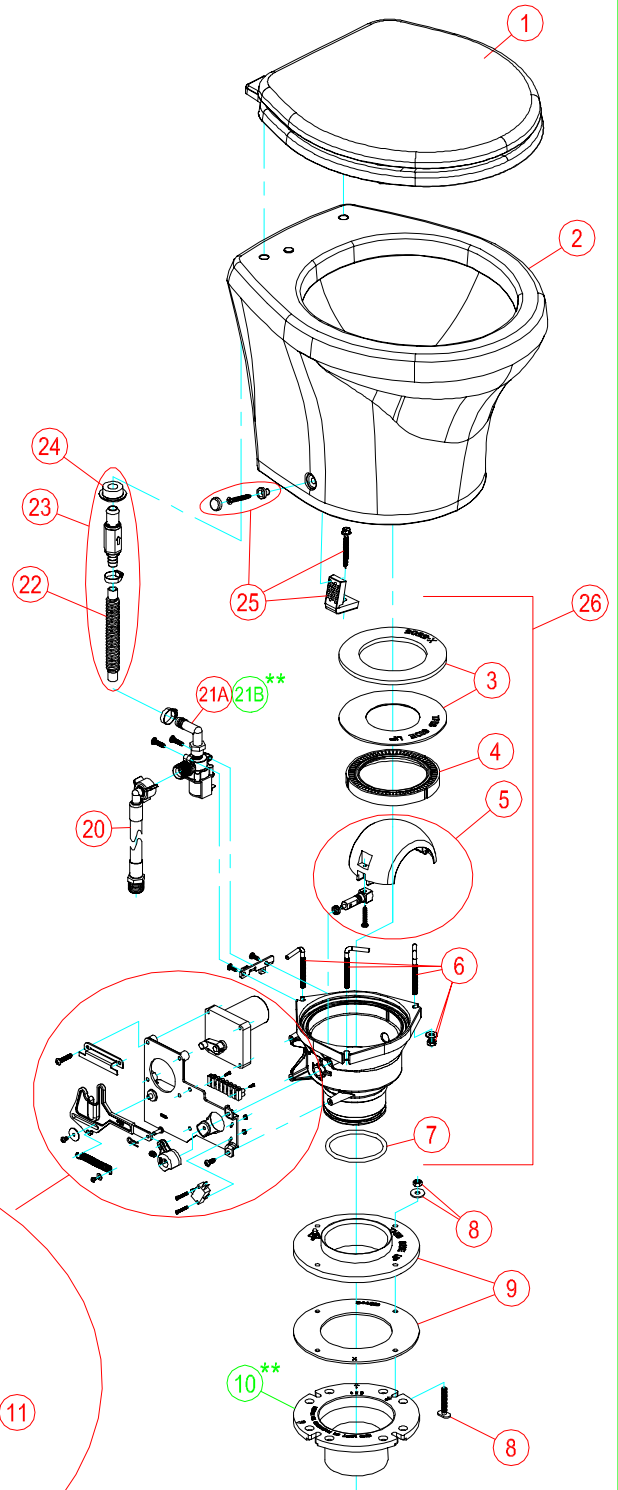
ITEM	PART NUMBER & DESCRIPTION
1	385311618 SEAT/COVER SLOW-CLOSE - WHITE
2	385311380 4800 TALL BOWL KIT - WHITE
3	385311009 FLUSH BALL SEAL REPL KIT **INCLUDES ITEMS 6.
4	385311292 BASE FLUSH BALL RING KIT
5	385310969 FLUSH BALL/SHAFT REPL KIT
6	385311011 BASE TO BOWL MOUNTING HARDWARE
7	385311294 BASE O'RING REPL KIT
8	385310064 FLOOR FLANGE MOUNTING HARDWARE
9	385311013 FLOOR FLANGE ADAPTER KIT **INCLUDES ITEMS 8.
10	385345892 3" SOCKET FLOOR FLANGE
11	385311901 TERMINAL & WIRNG HARNESS
12	385311394 FLUSH MECHANISM w/MTG BRACKET **INCLUDES ITEMS 13, 14, 15, 16, 17.
13	385311673 FLUSH ACTUATION SWITCH
14	385311296 FLUSH BALL CAM REPL KIT
15	385311393 FLUSH MECHANISM RETURN SPRING
16	385311392 FLUSH MECHANISM LINKAGE
17	385311429 FLUSH LINKAGE GUIDE BRACKET
18	385311299 MOTOR DRIVE ARM REPL KIT
19	385311300 MOTOR REPLACEMENT KIT - 12VDC **INCLUDES ITEM 18.
20	385311547 WATER SUPPLY HOSE
21A	385311545 WATER VALVE KIT - 12VDC
21B**	385311709 RETROFIT WATER VALVE KIT - 12VDC **INCLUDES MOUNTING BRACKET. **FOR 2009 & OLDER MODEL TOILETS.
22	385311869 CORRUGATED SUPPLY HOSE
23	385311384 CHECK VALVE w/HOSE **INCLUDES ITEM 22 & 24.
24	385311164 1/2" SEALING GROMMET
25	385311463 BOWL MOUNTING HARDWARE KIT
26	385311902 '10 PLUG-IN BASE KIT - 12VDC **INCLUDES ITEMS 3-7 & 11-24.
27	385311139 WALL MOUNTED FLUSH SWITCH-WHT



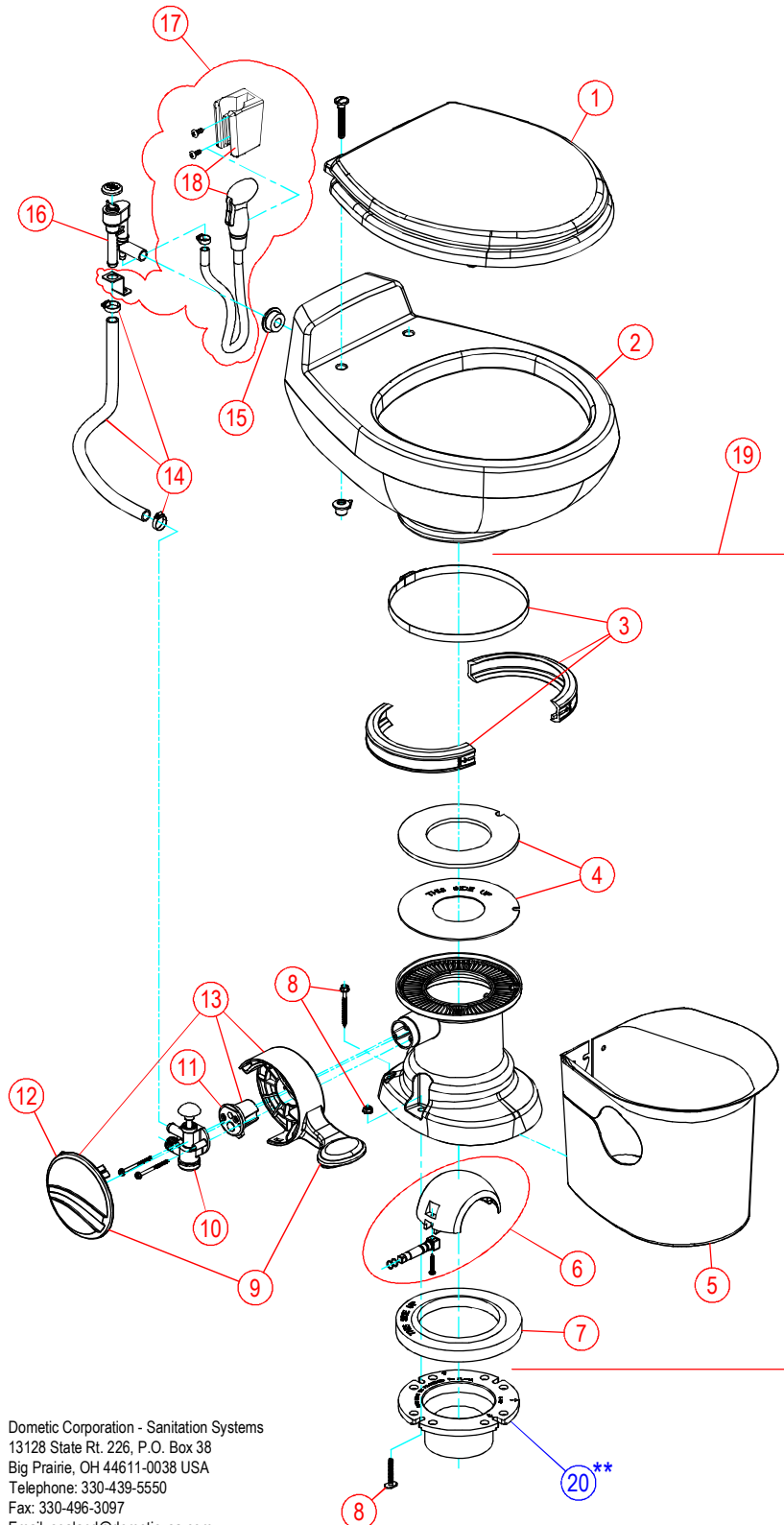


# PARTS LIST: 4811 MODEL SERIES - 302481110

ITEM	PART NUMBER & DESCRIPTION
1	385311694 SEAT/COVER WOOD - WHITE
2	385311378 4800 SHORT BOWL KIT - WHITE
3	385311009 FLUSH BALL SEAL REPL KIT <b>**INCLUDES ITEMS 6.</b>
4	385311292 BASE FLUSH BALL RING KIT
5	385310969 FLUSH BALL/SHAFT REPL KIT
6	385311011 BASE TO BOWL MOUNTING HARDWARE
7	385311294 BASE O'RING REPL KIT
8	385310064 FLOOR FLANGE MOUNTING HARDWARE
9	385311013 FLOOR FLANGE ADAPTER KIT <b>**INCLUDES ITEMS 8.</b>
10**	385343765 3" SPIGOT FLOOR FLANGE 385345892 3" SOCKET FLOOR FLANGE 385345889 3" MPT FLOOR FLANGE 385344653 45° SWIVEL FLOOR FLANGE <b>**THESE ITEMS SOLD SEPARATELY.</b>
11	385311873 TERMINAL & WIRING HARNESS
12	385311394 FLUSH MECHANISM w/MTG BRACKET <b>**INCLUDES ITEMS 13, 14, 15, 16, 17.</b>
13	385311673 FLUSH ACTUATION SWITCH
14	385311296 FLUSH BALL CAM REPL KIT
15	385311393 FLUSH MECHANISM RETURN SPRING
16	385311392 FLUSH MECHANISM LINKAGE
17	385311429 FLUSH LINKAGE GUIDE BRACKET
18	385311299 MOTOR DRIVE ARM REPL KIT
19	385311300 MOTOR REPLACEMENT KIT - 12VDC <b>**INCLUDES ITEM 18.</b>
20	385311547 WATER SUPPLY HOSE
21A	385311545 WATER VALVE KIT - 12VDC
21B**	385311709 RETROFIT WATER VALVE KIT - 12VDC <b>**INCLUDES MOUNTING BRACKET. **FOR 2009 &amp; OLDER MODEL TOILETS.</b>
22	385311869 CORRUGATED SUPPLY HOSE
23	385311384 CHECK VALVE w/HOSE <b>**INCLUDES ITEM 22 &amp; 24.</b>
24	385311164 1/2" SEALING GROMMET
25	385311463 BOWL MOUNTING HARDWARE KIT
26	385311874 '11 PLUG-IN BASE KIT - 12VDC <b>**INCLUDES ITEMS 3-7 &amp; 11-24.</b>



# PARTS LIST: 510H

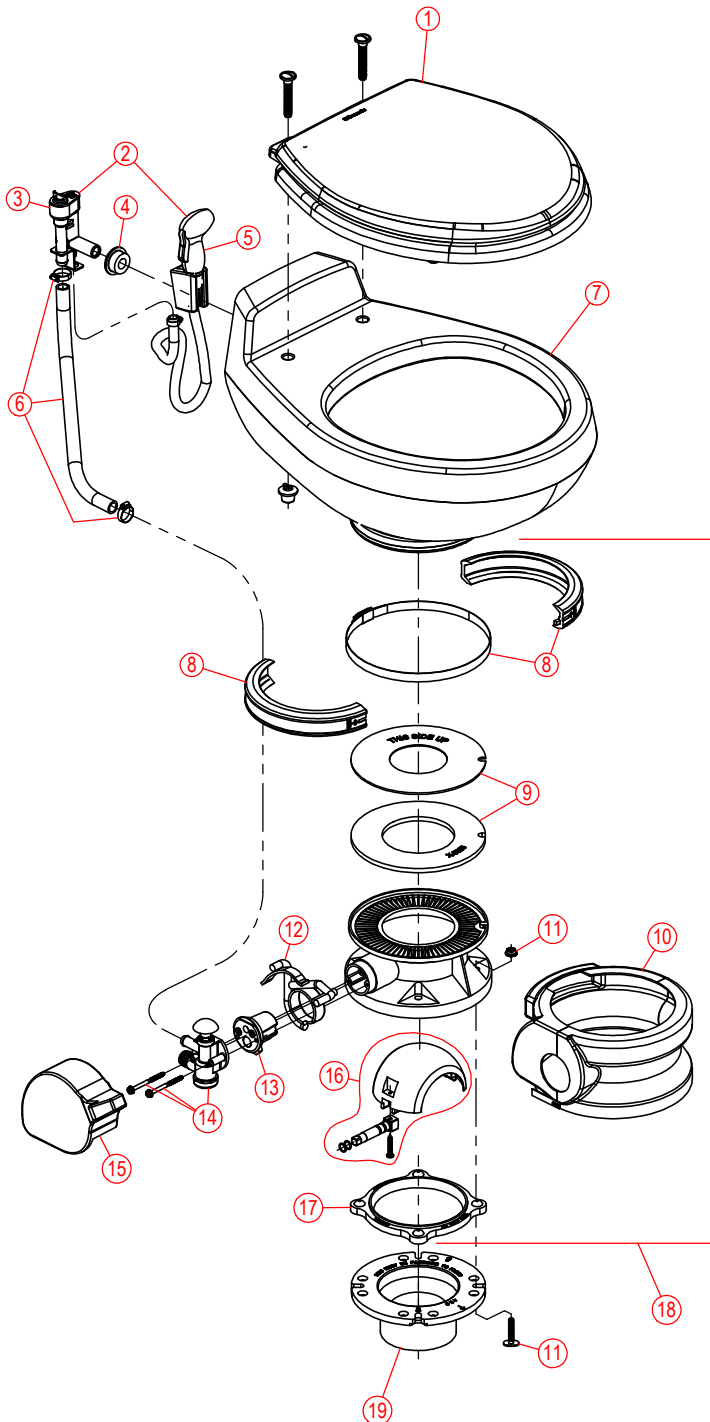


ITEM	PART NUMBER & DESCRIPTION
1	385343829 SEAT/COVER - WHITE
	385343831 SEAT/COVER - BONE
2	385310739 CHINA BOWL KIT - WHITE
	385310740 CHINA BOWL KIT - BONE
3	385310025 BOWL/BASE CLAMP KIT - WHITE
	385310048 BOWL/BASE CLAMP KIT - BONE
4	385311462 FLUSH BALL SEAL REPL KIT
5	385311540 BASE SHROUD 500H - WHITE
	385311541 BASE SHROUD 500H - BONE
6	385310681 FLUSH BALL, SHAFT, CARTRIDGE KIT **INCLUDES ITEM 11
7	385311267 FLOOR FLANGE SEAL
8	385311117 MOUNTING HARDWARE
9	385311119 PEDAL & COVER - WHITE
	385311120 PEDAL & COVER - BONE
10	385314349 WATER VALVE KIT
11	385310683 SPRING CARTRIDGE KIT
12	385311179 PEDAL COVER - WHITE
	385311180 PEDAL COVER - BONE
13	385311121 PEDAL/CARTRIDGE KIT - WHITE
	385311122 PEDAL/CARTRIDGE KIT - BONE
	**INCLUDES ITEM 11 & 12
14	385340177 BOWL WATER SUPPLY HOSE - WHITE
	385345377 BOWL WATER SUPPLY HOSE - BONE
15	385311164 1/2" SEALING GROMMET
16	385230335 VACUUM BREAKER KIT w/HAND SPRAY
	385316906 VACUUM BREAKER KIT **INCLUDES ITEM 15
17*	385319056 HAND SPRAY KIT w/VAC BREAKER - CHR **INCLUDES ITEM 15, 16, 18
18*	385310809 HAND SPRAYER - CHROME **INCLUDES MOUNTING BRACKET
19	385311128 500H BASE KIT - WHITE
	385311129 500H BASE KIT - BONE **INCLUDES ITEM 3-13
20**	385345889 3" MPT FLOOR FLANGE
	385345892 3" SOCKET FLOOR FLANGE
	385343765 3" SPIGOT FLOOR FLANGE
	385310961 45° SWIVEL FLOOR FLANGE* *MUST BE USED WITH SEAL INCLUDED IN KIT.

\* ITEMS 17 & 18 ARE OPTIONAL ACCESSORIES;  
NOT PROVIDED WITH EVERY MODEL.

\*\* ITEM 20 IS SOLD SEPARATELY; NOT INCLUDED WITH THE TOILET.

## PARTS LIST: 511H SERIES

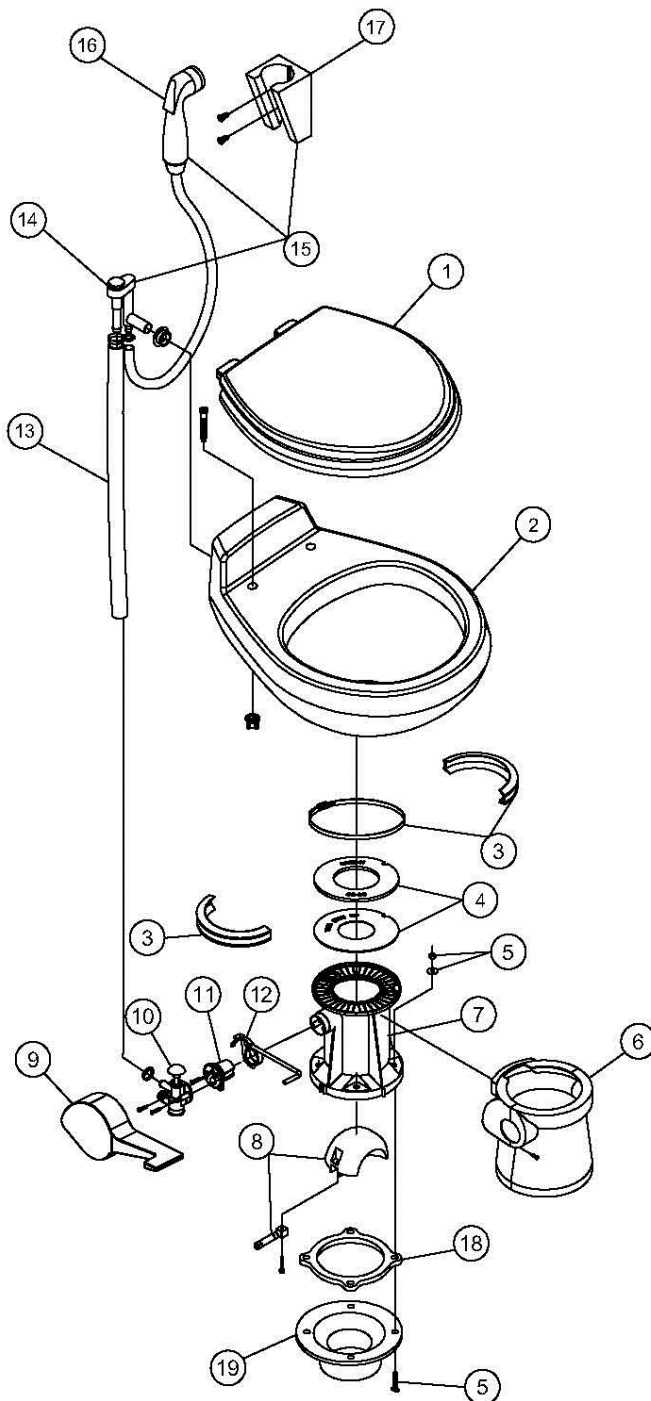


ITEM	PART NUMBER & DESCRIPTION
1	385343829 - SEAT/COVER - WHITE 385343831 - SEAT/COVER - BONE 385343901 - SEAT/COVER - EBONY **Includes Mounting Hardware.
2	385319056 - HAND SPRAY-CHROME (w/VACUUM BREAKER) 385319057 - HAND SPRAY-EBONY (w/VACUUM BREAKER) **Includes Items 3; 4; & 5.
3	385316906 - VACUUM BREAKER KIT; WITHOUT SPRAYER 385230335 - VACUUM BREAKER KIT; WITH SPRAYER **Includes Item #4.
4	385311164 - 1/2" SEALING GROMMET
5	385310809 - HAND SPRAYER-CHROME 385310873 - HAND SPRAYER-EBONY **Includes Mounting Bracket & Screws.
6	385345377 - BOWL WATER SUPPLY HOSE **Includes Hose Clamps.
7	385310739 - CHINA BOWL KIT - WHITE 385310740 - CHINA BOWL KIT - BONE 385310742 - CHINA BOWL KIT - EBONY
8	385310048 - BOWL/BASE CLAMP KIT
9	385311462 - FLUSH BALL SEAL REPLACEMENT KIT
10	385310108 - PEDESTAL COVER KIT - WHITE 385310109 - PEDESTAL COVER KIT - BONE 385310600 - PEDESTAL COVER KIT - EBONY
11	385310064 - FLOOR FLANGE MOUNTING HARDWARE
12	385311553 - PEDAL/LEVER & CARTRIDGE KIT **Includes Item 13.
13	385236096 - SPRING CARTRIDGE KIT
14	385314349 - WATER VALVE KIT **Includes Mounting Screws.
15	385311551 - PEDAL COVER - WHITE 385311552 - PEDAL COVER - BONE 385311555 - PEDAL COVER - EBONY
16	385318162 - FLUSH BALL, SHAFT, & CARTRIDGE KIT-WHT 385310177 - FLUSH BALL, SHAFT, & CARTRIDGE KIT-EBY ** Includes Item 11.
17	385310063 - FLOOR / BASE SEAL
18	385312004 - 511H/PS BASE KIT - WHITE 385312005 - 511H/PS BASE KIT - BONE 385312055 - 511H BASE KIT - EBONY **Includes Items 8-17.
19	**Below Floor Flange Kits Sold Separately. 385345889 - 3" MPT FLOOR FLANGE 385345892 - 3" SOCKET FLOOR FLANGE 385343765 - 3" SPIGOT FLOOR FLANGE 385310961 - 45° SWIVEL FLOOR FLANGE* *Must be used with included seal.

Dometic Corporation - Sanitation Systems  
13128 State Rt. 226, P.O. Box 38  
Big Prairie, OH 44611-0038 USA  
Telephone: 330-439-5550  
Fax: 330-496-3097  
Email: sealand@dometicusa.com



# PARTS LIST: 510+

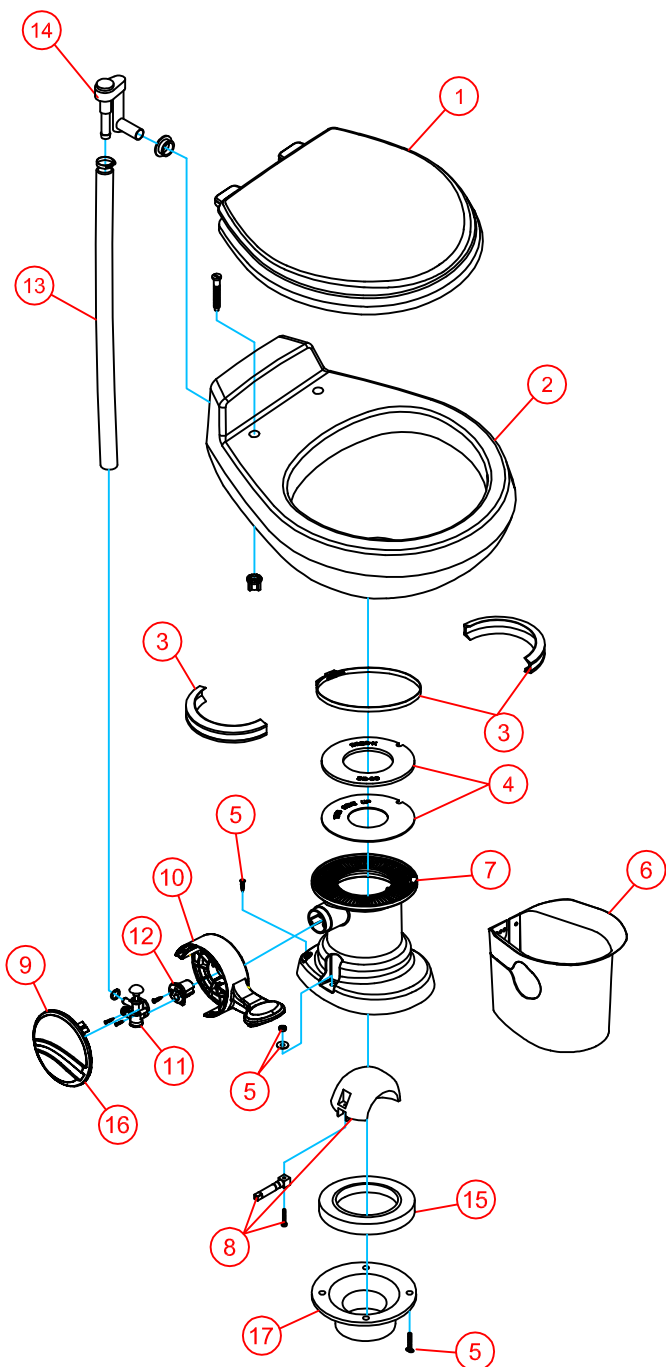


ITEM	PART NO.	DESCRIPTION
1	385343829	SEAT ASSEMBLY, WHITE
	385343831	SEAT ASSEMBLY, BONE
	385343897	SEAT ASSEMBLY, PLATINUM
	385343901	SEAT ASSEMBLY, EBONY
	385343899	SEAT ASSEMBLY, TEAL
2	385310739	CHINA BOWL KIT, WHITE
	385310740	CHINA BOWL KIT, BONE
	385310741	CHINA BOWL KIT, PLATINUM
	385310742	CHINA BOWL KIT, EBONY
3	385310025	BAND AND HALF CLAMP, KIT WHITE
	385310048	BAND AND HALF CLAMP, KIT BONE
4	385311462	SEAL REPLACEMENT , KIT
5	385310064	MOUNTING HARDWARE
6	385310111	PEDESTAL COVER KIT , WHITE
	385310112	PEDESTAL COVER KIT , BONE
	385310113	PEDESTAL COVER KIT , PLATINUM
	385310173	PEDESTAL COVER KIT , EBONY
	385310203	PEDESTAL COVER KIT , TEAL
7	385310120	BASE KIT, WHITE (inc items 3-12)
	385310121	BASE KIT, BONE (inc items 3-12)
	385310122	BASE KIT, PLATINUM (inc items 3-12)
	385310169	BASE KIT, EBONY (inc items 3-12)
	385310198	BASE KIT, TEAL (inc items 3-12)
8	385318162	KIT,BALL,SHAFT & CART, WHITE(inc. item 11)
	385310177	KIT,BALL,SHAFT & CART, EBONY(inc. item 11)
	385310188	KIT,BALL,SHAFT & CART, TEAL(inc. item 11)
9	385310114	PEDAL COVER, WHITE
	385310115	PEDAL COVER, BONE
	385310116	PEDAL COVER, PLATINUM
	385310175	PEDAL COVER, EBONY
	385310193	PEDAL COVER, TEAL
10	385314349	WATER VALVE, KIT
11	385236096	SPRING CARTRIDGE, KIT
12	385310578	PEDAL, CARTRIDGE, KIT (inc. item 11)
13	385340177	HOSE, SUPPLY - BONE, EBONY, PLAT ,TEAL
	385345377	HOSE, SUPPLY - WHITE
14	385316906	VACUUM BREAKER, KIT - WITHOUT SPRAY
	385230335	VACUUM BREAKER, KIT - WITH SPRAY
15	385319054	VACUUM BREAKER, COMPLETE - WHITE
	385319056	VACUUM BREAKER, COMPLETE - CHROME
	385319057	VACUUM BREAKER, COMPLETE - EBONY
16	385310809	HAND SPRAY, CHROME
	385310873	HAND SPRAY, EBONY
17	385311131	BRACKET,HAND SPRAY-CHROME
	385311125	BRACKET,HAND SPRAY-EBONY
18	385310063	FLOOR FLANGE, KIT (inc item 5)
19	385345889	FLOOR FLANGE, 3" MPT
	385345892	FLOOR FLANGE, 3" SOCKET
	385343765	FLOOR FLANGE, 3" SPIGOT
	385310961	FLOOR FLANGE ADAPTER, 45° SWIVEL (MUST BE USED WITH SEAL INC.)

(ITEM 19 SOLD SEPARATELY)

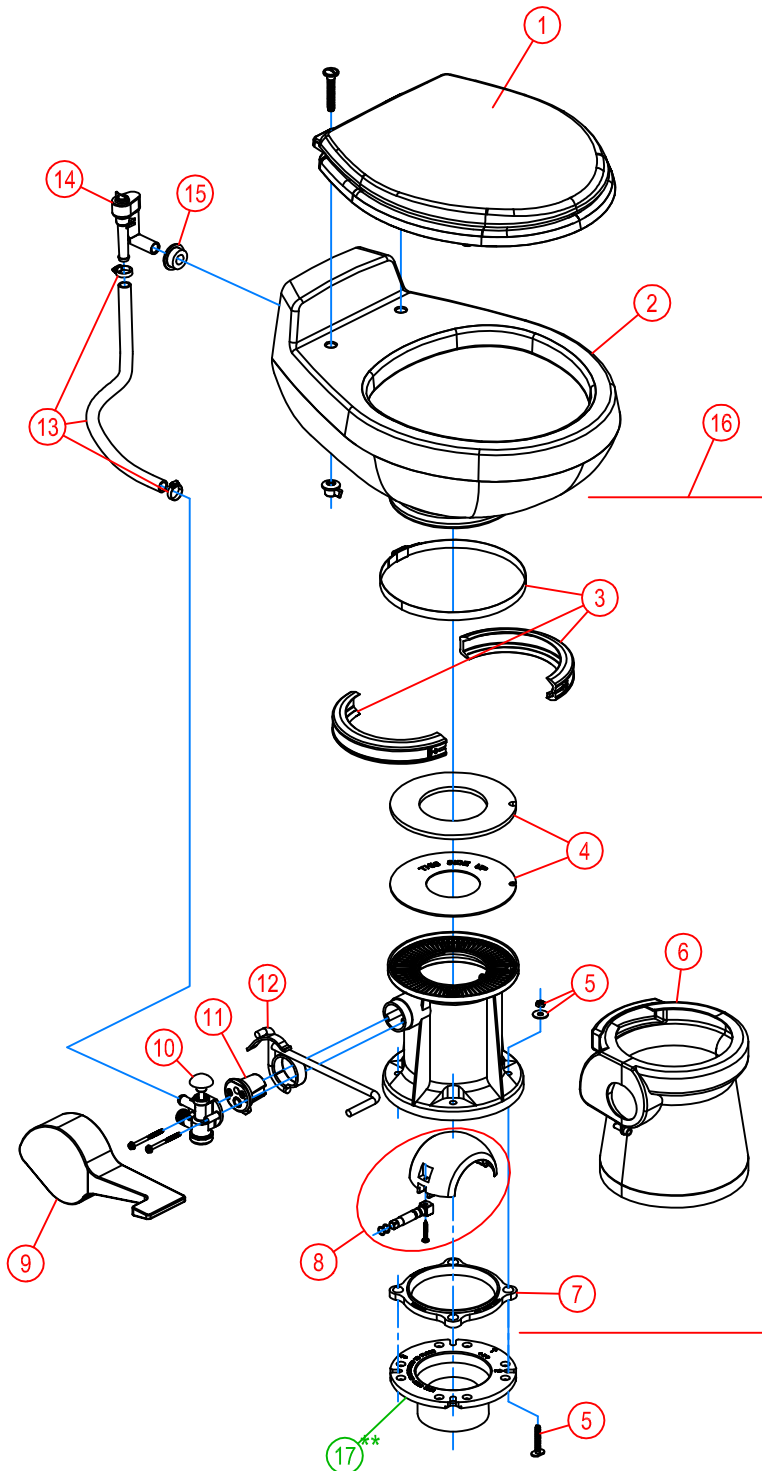
Dometic Corporation - Sanitation Systems  
13128 State Rt. 226, P.O. Box 38  
Big Prairie, OH 44611-0038 USA  
Telephone: 330-496-3211  
Fax: 330-496-3097  
Email: sealand@dometicusa.com

# PARTS LIST: 510H PS



ITEM	PART NO.	DESCRIPTION
1	385343829	KIT, SEAT-CV'R 500+ - WHITE
	385343831	KIT, SEAT-CV'R 500+ - BONE
2	385310739	KIT,BOWL - 500+ WHITE
	385310740	KIT,BOWL - 500+ BONE
3	385310025	KIT, HALF CLAMP-WHITE
	385310048	KIT, HALF CLAMP-BONE
4	385311462	KIT, REPLACEMENT SEAL
5	385311117	KIT, MOUNTING HARDWARE-210
6	385311540	KIT, PEDESTAL COVER-500H/WHT
	385311541	KIT, PEDESTAL COVER-500H/BONE
7	385311128	KIT, BASE 210-WHITE (INC 3-5,7-12,15)
	385311129	KIT, BASE 210-BONE (INC 3-5,7-12,15)
8	385310954	KIT, BALL/BRASS SHAFT/P CART (INC. 12)
9	385311119	KIT, PR PEDAL & COVER-WHT (INC.10)
	385311120	KIT, PR PEDAL & COVER-BONE (INC.10)
10	385311121	KIT, PR PEDAL & CART-WHT (INC 9 & 12)
	385311122	KIT, PR PEDAL & CART-BONE (INC 9 & 12)
11	385314349	KIT, WATER VALVE
12	385310683	KIT, SPRING CARTRIDGE-ECOVAC
13	385340177	KIT, SUPPLY HOSE-BONE
	385345377	KIT, SUPPLY HOSE-WHITE
14	385316906	KIT, VACUUM BREAKER
15	385311267	KIT, FLOOR FLANGE SEAL-5059
16	385311179	KIT, PEDAL CV'R REPL 210 WHT
	385311180	KIT, PEDAL CV'R REPL 210 BONE
<b>(ITEM 17 SOLD SEPARATELY)</b>		
17	385345889	FLOOR FLANGE, 3" MPT
	385345892	FLOOR FLANGE, 3" SOCKET
	385343765	FLOOR FLANGE, 3" SPIGOT
	385310961	FLOOR FLANGE ADAPTER, 45° SWIVEL (MUST BE USED WITH SEAL INC.)

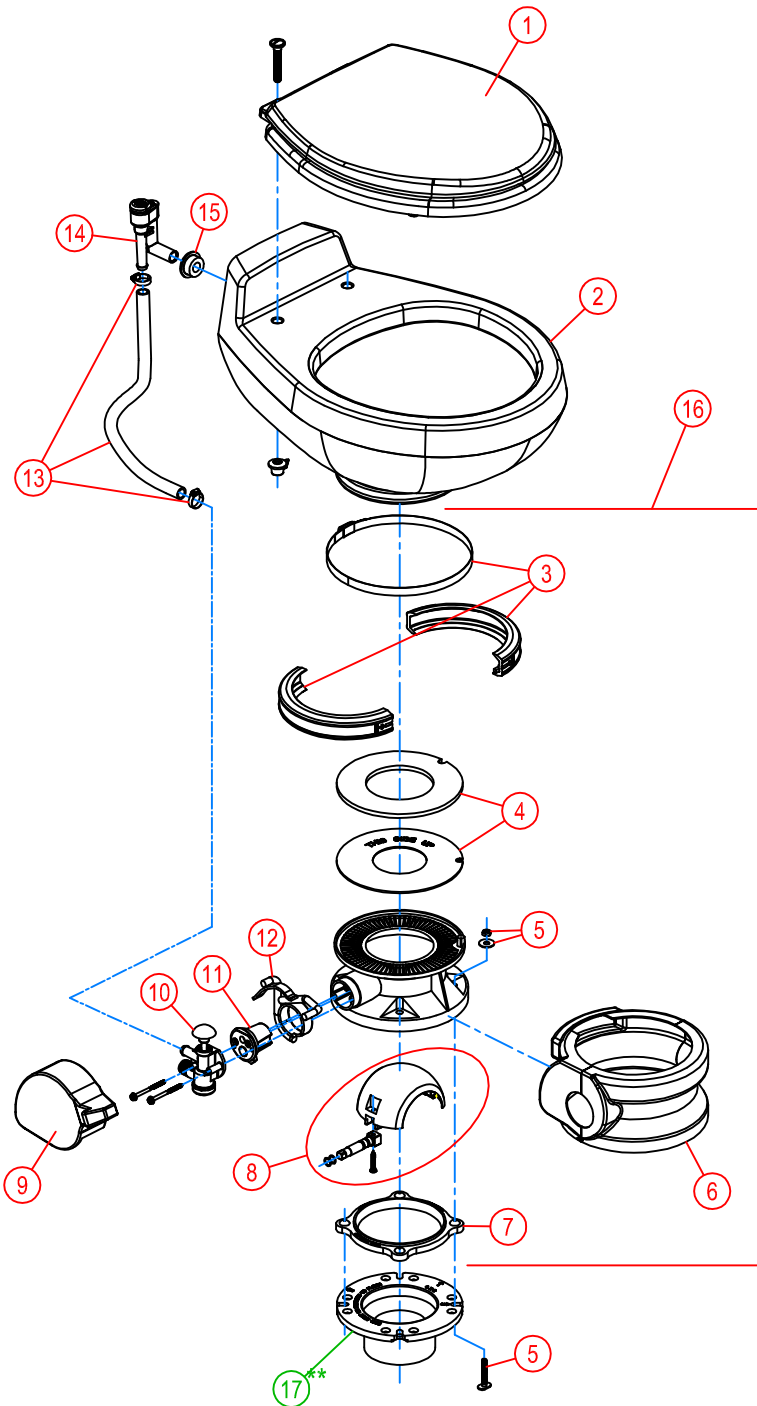
## PARTS LIST: 510 PS MODEL SERIES



ITEM	PART NUMBER & DESCRIPTION
1	385343829 SEAT/COVER - WHITE
	385343831 SEAT/COVER - BONE
	385343901 SEAT/COVER - EBONY
2	385310739 CHINA BOWL - WHITE
	385310740 CHINA BOWL - BONE
	385310742 CHINA BOWL - EBONY
3	385310048 BOWL/BASE CLAMP KIT
4	385311462 FLUSH BALL SEAL REPL KIT
5	385310064 MOUNTING HARDWARE
6	385310111 PEDESTAL COVER - WHITE
	385310112 PEDESTAL COVER - BONE
	385310173 PEDESTAL COVER - EBONY
7	385310063 FLOOR FLANGE SEAL **INCLUDES ITEM 5.
8	385318162 FLUSH BALL, SHAFT, CARTRIDGE KIT-WHT
	385310177 FLUSH BALL, SHAFT, CARTRIDGE KIT-EBY **INCLUDES ITEM 11.
9	385310114 PEDAL COVER - WHITE
	385310115 PEDAL COVER - BONE
	385310175 PEDAL COVER - EBONY
10	385314349 WATER VALVE KIT
11	385236096 SPRING CARTRIDGE KIT
12	385310578 PEDAL/LEVER & CARTRIDGE KIT **INCLUDES ITEM 11.
13	385340177 BOWL WATER SUPPLY HOSE - WHITE
	385345377 BOWL WATER SUPPLY HOSE - BONE
14	385316906 VACUUM BREAKER KIT **INCLUDES ITEM 15.
15	385311164 1/2" SEALING GROMMET KIT
16	385312000 510PS BASE KIT - WHITE
	385312001 510PS BASE KIT - BONE
	385312003 510PS BASE KIT - EBONY **INCLUDES ITEMS 3-12.
17**	385345889 3" MPT FLOOR FLANGE
	385345892 3" SOCKET FLOOR FLANGE
	385343765 3" SPIGOT FLOOR FLANGE
	385310961 45° SWIVEL FLOOR FLANGE* *MUST BE USED WITH SEAL INCLUDED IN KIT.

\*\* ITEM 17 IS SOLD SEPARATELY; NOT INCLUDED WITH THE TOILET.

# PARTS LIST: 511 PS MODEL SERIES



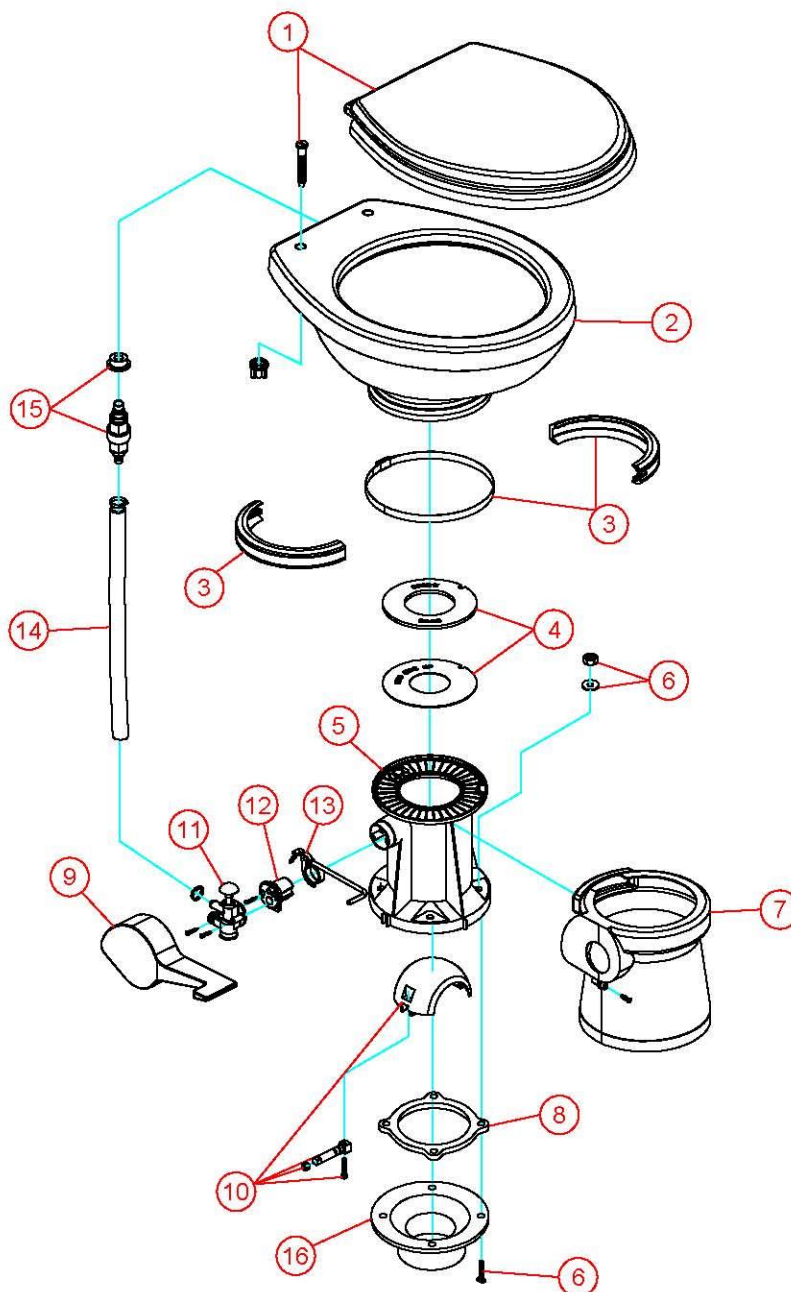
ITEM	PART NUMBER & DESCRIPTION
1	385343829 SEAT/COVER - WHITE
	385343831 SEAT/COVER - BONE
2	385310739 CHINA BOWL - WHITE
	385310740 CHINA BOWL - BONE
3	385310048 BOWL/BASE CLAMP KIT
4	385311462 FLUSH BALL SEAL REPL. KIT
5	385310064 MOUNTING HARDWARE
6	385310108 PEDESTAL COVER - WHITE
	385310109 PEDESTAL COVER - BONE
7	385310063 FLOOR FLANGE SEAL **INCLUDES ITEM 5.
8	385318162 FLUSH BALL, SHAFT, CARTRIDGE KIT **INCLUDES ITEM 11.
9	385311551 PEDAL COVER - WHITE
	385311552 PEDAL COVER - BONE
10	385314349 WATER VALVE KIT
11	385236096 SPRING CARTRIDGE KIT
12	385311553 PEDAL/LEVER & CARTRIDGE KIT **INCLUDES ITEM 11.
13	385340177 BOWL WATER SUPPLY HOSE - WHITE
	385345377 BOWL WATER SUPPLY HOSE - BONE
14	385316906 VACUUM BREAKER KIT **INCLUDES ITEM 15.
15	385311164 1/2" SEALING GROMMET KIT
16	385312004 511PS BASE KIT - WHITE
	385312005 511PS BASE KIT - BONE **INCLUDES ITEMS 3-12.
17**	385345889 3" MPT FLOOR FLANGE
	385345892 3" SOCKET FLOOR FLANGE
	385343765 3" SPIGOT FLOOR FLANGE
	385310961 45° SWIVEL FLOOR FLANGE* *MUST BE USED WITH SEAL INCLUDED IN KIT.

\*\* ITEM 17 IS SOLD SEPARATELY; NOT INCLUDED WITH THE TOILET.

# PARTS LIST: GRAVITY 5010-WHITE

ITEM	PART NO.	DESCRIPTION	ITEM	PART NO.	DESCRIPTION
1	385343829	KIT, SEAT-CV'R 500+ - WHITE	10	385318162	KIT, BALL/SHAFT/CART-WHITE (INC 12)
2	385311079	KIT, BOWL 5000 SER-WHITE	11	385314349	KIT, WATER VALVE
3	385310048	KIT, HALF CLAMP-BONE	12	385236096	KIT, SPRING CARTRIDGE
4	385311462	KIT, BASE SEAL REPLACEMENT	13	385310578	KIT, LEVER/CART-TALL BASE (INC 12)
5	385310120	KIT, 510/910/2010 BASE-WHITE (INC 3-13)	14	385345377	SUPPLY HOSE, WHITE
6	385310064	KIT, MOUNT-TRAVELER-506/806	15	385311456	KIT, CHECK VALVE
7	385310111	KIT, TALL BASE COVER-WHITE	16	385345889	3" MPT FLOOR FLANGE
8	385310063	KIT, FLOOR FLANGE SEAL		385345892	3" SOCKET FLOOR FLANGE
9	385311110	KIT, TALL PEDAL COVER WHT		385343765	3" SPIGOT FLOOR FLANGE
				385310961	KIT, TL FL'G SEAL/45°SW'L FL'G (MUST BE USED WITH SEAL INC.)

(ITEM 16 SOLD SEPARATELY)

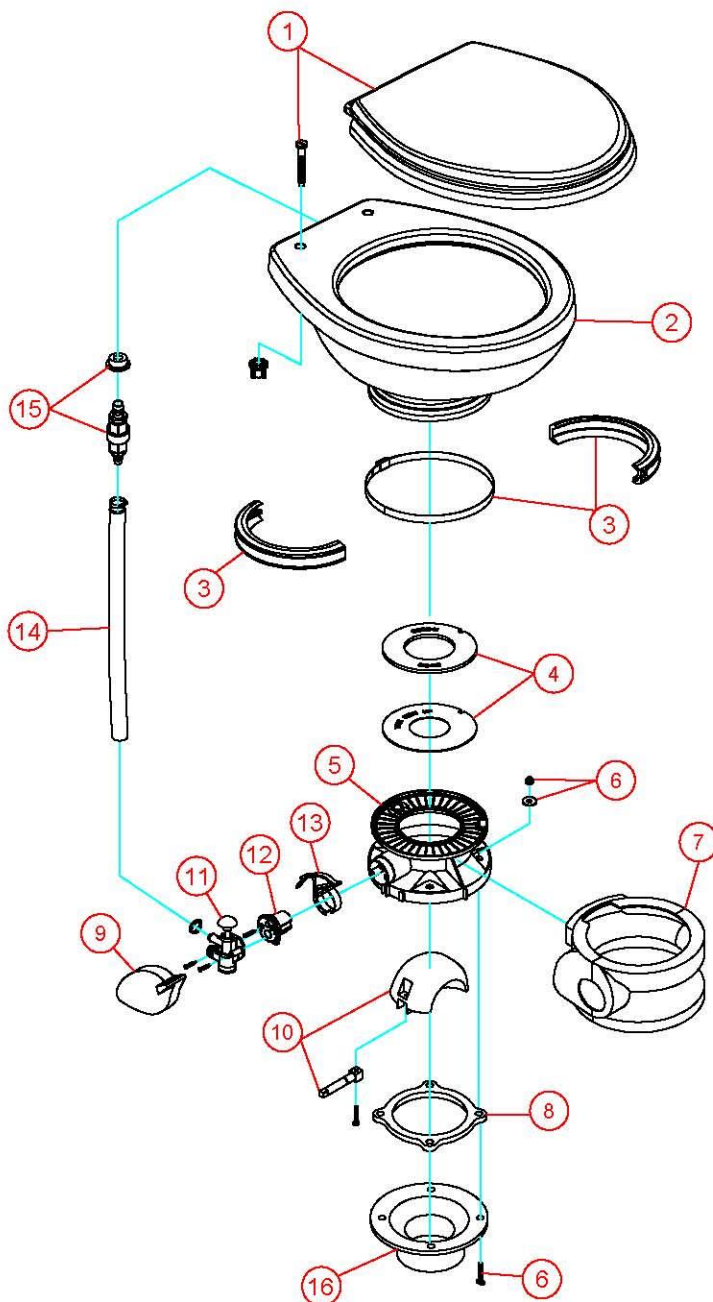




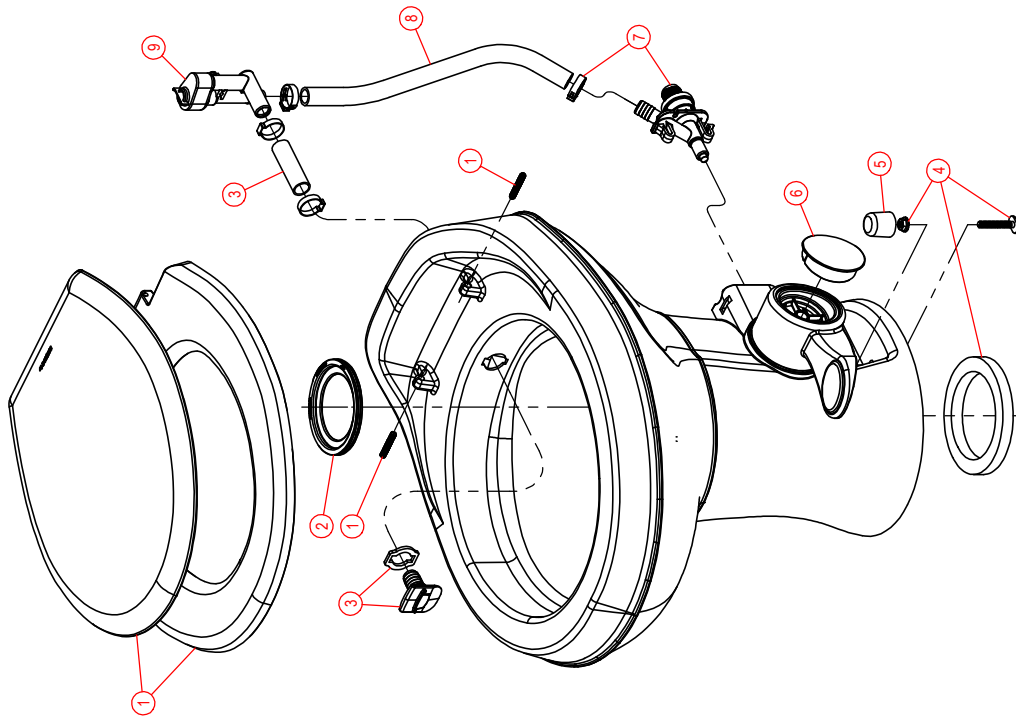
# PARTS LIST: GRAVITY 5011-WHITE

ITEM	PART NO.	DESCRIPTION	ITEM	PART NO.	DESCRIPTION
1	385343829	KIT, SEAT-CV'R 500+ - WHITE	10	385318162	KIT, BALL/SHAFT/CART-WHITE (INC 12)
2	385311079	KIT, BOWL 5000 SER-WHITE	11	385314349	KIT, WATER VALVE
3	385310048	KIT, HALF CLAMP-BONE	12	385236096	KIT, SPRING CARTRIDGE
4	385311462	KIT, BASE SEAL REPLACEMENT	13	385310578	KIT, LEVER/CART-TALL BASE (INC 12)
5	385310123	KIT, 511/911/2011 BASE-WHITE (INC 3-13)	14	385345377	SUPPLY HOSE, WHITE
6	385310064	KIT, MOUNT-TRAVELER-506/806	15	385311456	KIT, CHECK VALVE
7	385310111	KIT, SHORT BASE COVER-WHITE	16	385345889	3" MPT FLOOR FLANGE
8	385310063	KIT, FLOOR FLANGE SEAL		385345892	3" SOCKET FLOOR FLANGE
9	385310117	KIT, SHORT PEDAL COVER-WHT		385343765	3" SPIGOT FLOOR FLANGE
				385310961	KIT, TL FL'G SEAL/45°SW'L FL'G (MUST BE USED WITH SEAL INC.)

(ITEM 16 SOLD SEPARATELY)



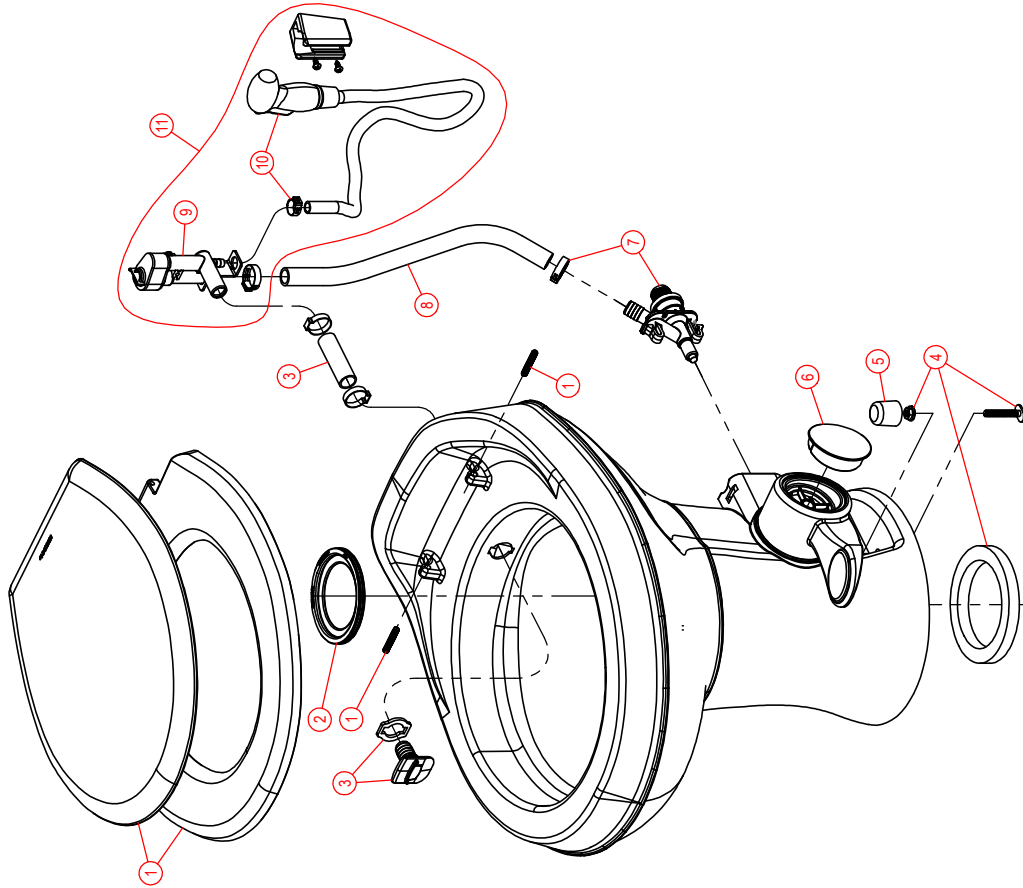
## PARTS LIST: 300 TALL GRAVITY FLUSH TOILET



ITEM	PART NUMBER & DESCRIPTION
1	385311930 - SEAT/COVER REPLACEMENT - WHITE 385311931 - SEAT/COVER REPLACEMENT - BONE **Includes Mounting Hardware.
2	385311658 - FLUSH BALL SEAL
3	385311932 - BOWL WASH SPRAY NOZZLE KIT - WHITE 385311933 - BOWL WASH SPRAY NOZZLE KIT - BONE
4	385311652 - MTG HARDWARE & FLOOR SEAL - WHITE 385311653 - MTG HARDWARE & FLOOR SEAL - BONE **Includes Item 5.
5	385311654 - FLOOR BOLT CAP - WHITE 385311655 - FLOOR BOLT CAP - BONE
6	385311656 - PEDAL COVER - WHITE 385311657 - PEDAL COVER - BONE
7	385311641 - WATER VALVE KIT
8	385311937 - BOWL SUPPLY HOSE **Includes Mounting Clamps.
9	385316906 - VACUUM BREAKER KIT; WITHOUT SPRAYER

Dometic Corporation - Sanitation Systems  
 13128 State Rt. 226, P.O. Box 38  
 Big Prairie, OH 44611-0038 USA  
 Telephone: 330-439-5550  
 Fax: 330-496-3097  
 Email: sealand@dometicusa.com

## PARTS LIST: 300 TALL GRAVITY FLUSH TOILET

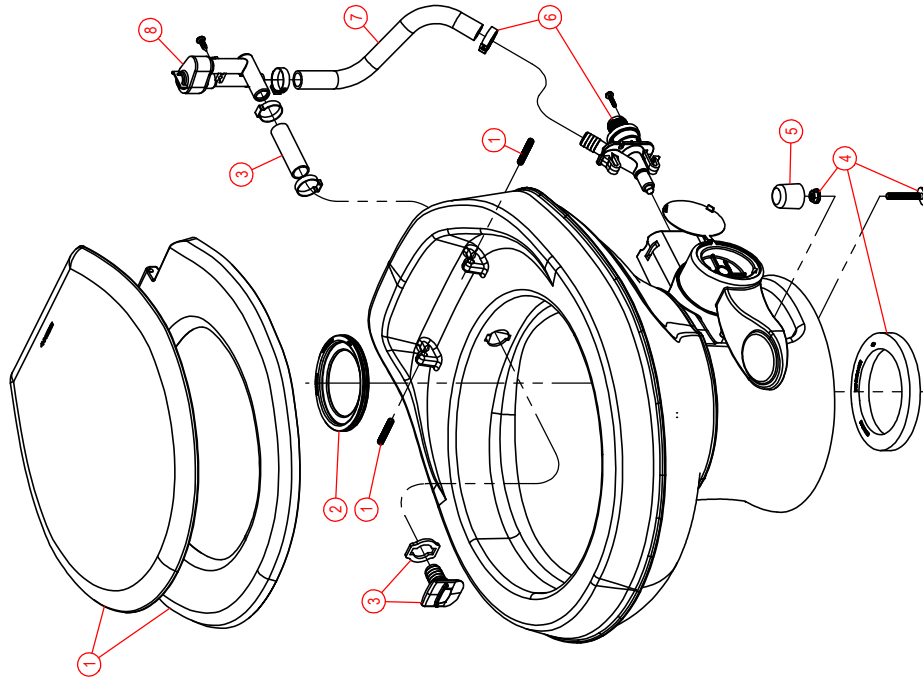


ITEM	PART NUMBER & DESCRIPTION
1	385311930 - SEAT/COVER REPLACEMENT - WHITE
	385311931 - SEAT/COVER REPLACEMENT - BONE
	**Includes Mounting Hardware.
2	385311658 - FLUSH BALL SEAL
3	385311932 - BOWL WASH SPRAY NOZZLE KIT - WHITE
	385311933 - BOWL WASH SPRAY NOZZLE KIT - BONE
	**Includes Mounting Hardware.
4	385311652 - MTG HARDWARE & FLOOR SEAL - WHITE
	385311653 - MTG HARDWARE & FLOOR SEAL - BONE
	**Includes Item 5.
5	385311654 - FLOOR BOLT CAP - WHITE
	385311655 - FLOOR BOLT CAP - BONE
6	385311656 - PEDAL COVER - WHITE
	385311657 - PEDAL COVER - BONE
7	385311641 - WATER VALVE KIT
8	385311937 - BOWL SUPPLY HOSE
	**Includes Mounting Clamps.
9	385230335 - VACUUM BREAKER KIT (for sprayer option)
10**	385311124 - HAND SPRAYER - WHITE
	**Includes Mounting Bracket.
11**	385319054 - HAND SPRAY KIT w/VAC BREAKER - WHITE
	**Includes Items 9 & 10.

\*\*Items 10 & 11 are optional accessories;  
not provided with every model.

## PARTS LIST: 301 & 301S LOW-PROFILE GRAVITY TOILET

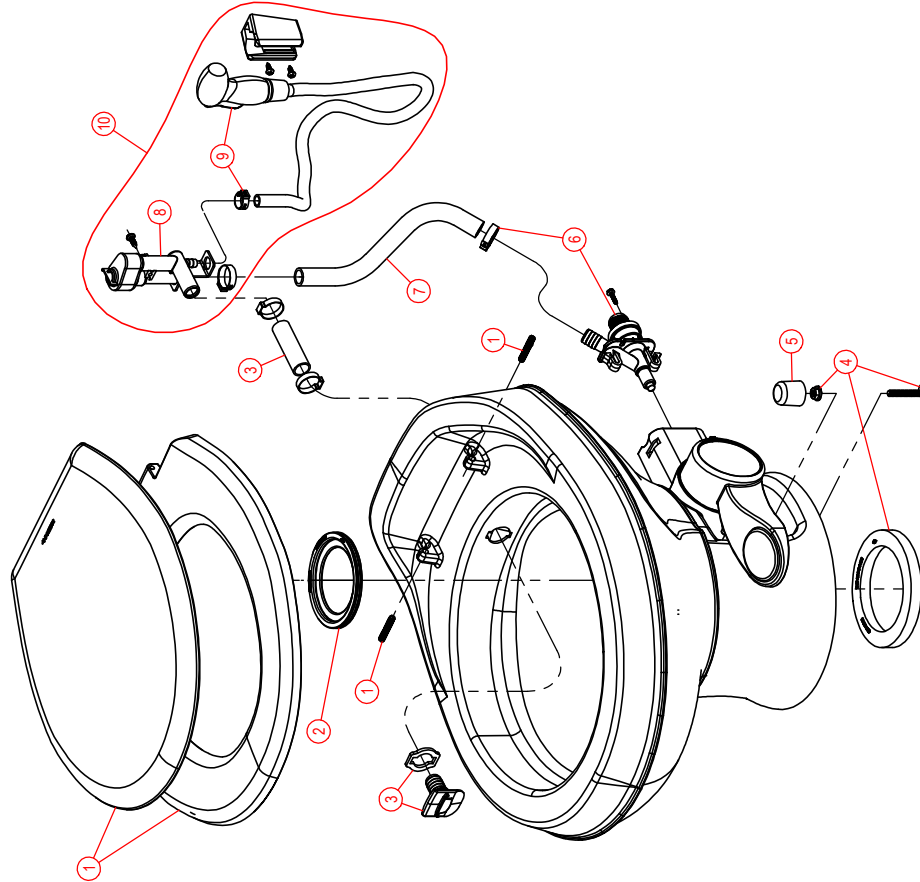
ITEM	PART NUMBER & DESCRIPTION
1	385311930 - SEAT/COVER REPLACEMENT - WHITE 385311931 - SEAT/COVER REPLACEMENT - BONE **Includes Mounting Hardware.
2	385311658 - FLUSH BALL SEAL
3	385311932 - BOWL WASH SPRAY NOZZLE KIT - WHITE 385311933 - BOWL WASH SPRAY NOZZLE KIT - BONE
4	385311652 - MTG HARDWARE & FLOOR SEAL - WHITE 385311653 - MTG HARDWARE & FLOOR SEAL - BONE **Includes Item 5.
5	385311654 - FLOOR BOLT CAP - WHITE 385311655 - FLOOR BOLT CAP - BONE
6	385311641 - WATER VALVE KIT
7	385311937 - BOWL SUPPLY HOSE **Includes Mounting Clamps.
8	385316906 - VACUUM BREAKER KIT



Dometic Corporation - Sanitation Systems  
 13128 Slate Rt. 226, P.O. Box 38  
 Big Prairie, OH 44611-0038 USA  
 Telephone: 330-439-5550  
 Fax: 330-496-3097  
 Email: sealand@dometicusa.com

## PARTS LIST: 301 & 301S LOW-PROFILE GRAVITY TOILET

ITEM	PART NUMBER & DESCRIPTION
1	385311930 - SEAT/COVER REPLACEMENT - WHITE 385311931 - SEAT/COVER REPLACEMENT - BONE **Includes Mounting Hardware.
2	385311658 - FLUSH BALL SEAL
3	385311932 - BOWL WASH SPRAY NOZZLE KIT - WHITE 385311933 - BOWL WASH SPRAY NOZZLE KIT - BONE
4	385311652 - MTG HARDWARE & FLOOR SEAL - WHITE 385311653 - MTG HARDWARE & FLOOR SEAL - BONE **Includes Item 5.
5	385311654 - FLOOR BOLT CAP - WHITE 385311655 - FLOOR BOLT CAP - BONE
6	385311641 - WATER VALVE KIT
7	385311937 - BOWL SUPPLY HOSE **Includes Mounting Clamps.
8	385230335 - VACUUM BREAKER KIT (for sprayer option)
9**	385311124 - HAND SPRAYER - WHITE **Includes Mounting Bracket.
10**	385319054 - HAND SPRAY KIT w/VAC BREAKER - WHITE **Includes Items 8, & 9.

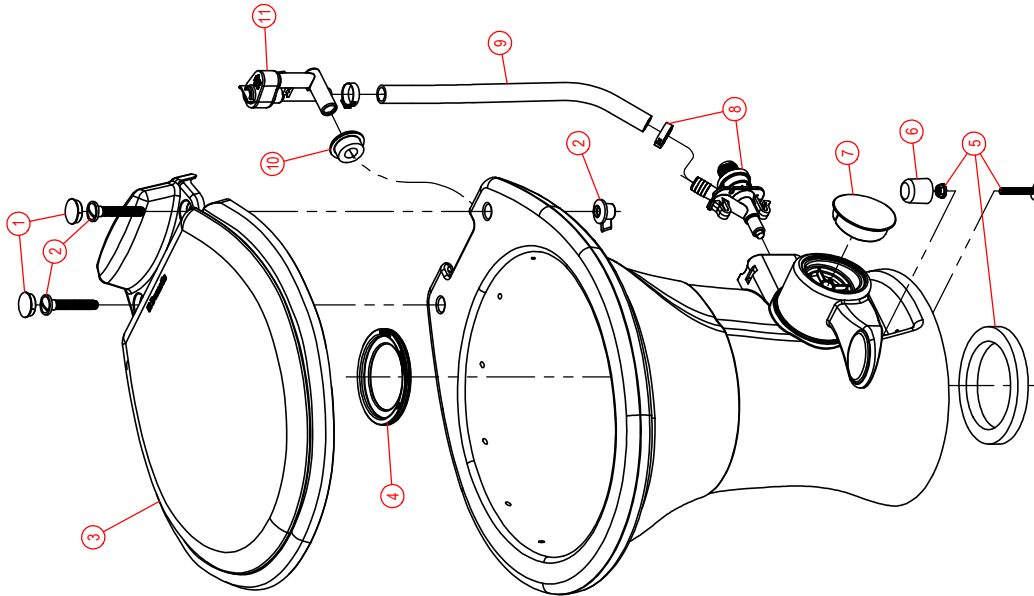


\*\*Items 9 & 10 are optional accessories;  
not provided with every model.

Domestic Corporation - Sanitation Systems  
13128 State Rt. 226, P.O. Box 38  
Big Prairie, OH 44611-0038 USA  
Telephone: 330-439-5550  
Fax: 330-496-3097  
Email: [sealand@domesticusa.com](mailto:sealand@domesticusa.com)

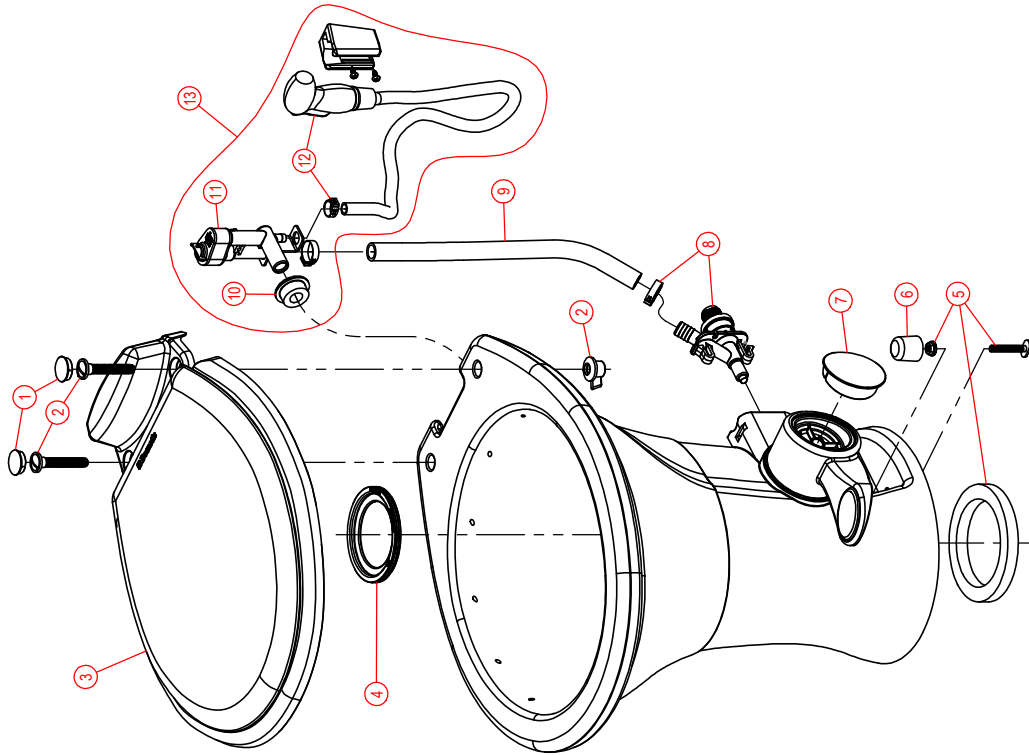


## PARTS LIST: 310/310S GRAVITY FLUSH TOILET



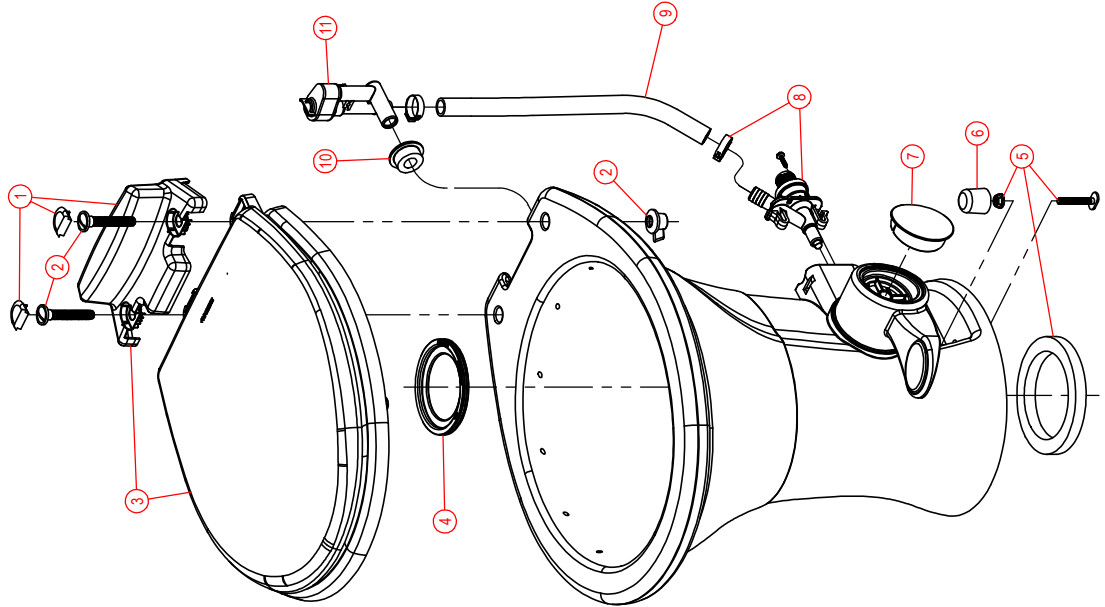
ITEM	PART NUMBER & DESCRIPTION
1	385311648 - SEAT MOUNTING COVER - WHITE 385311649 - SEAT MOUNTING COVER - BONE
2	385311650 - SEAT MOUNTING HARDWARE - WHITE 385311651 - SEAT MOUNTING HARDWARE - BONE **Includes Item 1.
3	385311646 - SEAT/COVER REPLACEMENT - WHITE 385311647 - SEAT/COVER REPLACEMENT - BONE **Includes Items 1 & 2.
4	385311658 - FLUSH BALL SEAL
5	385311652 - MTG HARDWARE & FLOOR SEAL - WHITE 385311653 - MTG HARDWARE & FLOOR SEAL - BONE **Includes Item 6.
6	385311654 - FLOOR BOLT CAP - WHITE 385311655 - FLOOR BOLT CAP - BONE
7	385311656 - PEDAL COVER - WHITE 385311657 - PEDAL COVER - BONE
8	385311641 - WATER VALVE KIT
9	385311937 - BOWL SUPPLY HOSE **Includes Mounting Clamps.
10	385311164 - 1/2" SEALING GROMMET
11	385316906 - VACUUM BREAKER KIT **Includes Item 10.

## PARTS LIST: 310/310S GRAVITY FLUSH TOILET



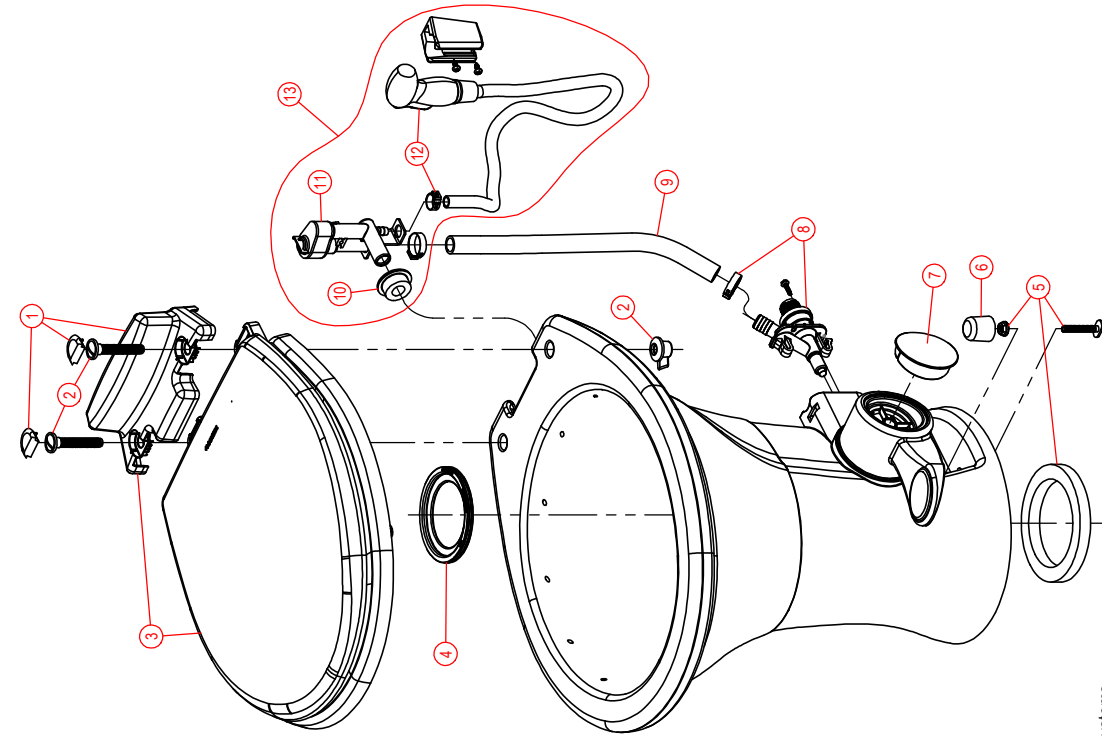
ITEM	PART NUMBER & DESCRIPTION
1	385311648 - SEAT MOUNTING COVER - WHITE 385311649 - SEAT MOUNTING COVER - BONE
2	385311650 - SEAT MOUNTING HARDWARE - WHITE 385311651 - SEAT MOUNTING HARDWARE - BONE **Includes Item 1.
3	385311646 - SEAT/COVER REPLACEMENT - WHITE 385311647 - SEAT/COVER REPLACEMENT - BONE **Includes Items 1 & 2.
4	385311658 - FLUSH BALL SEAL
5	385311652 - MTG HARDWARE & FLOOR SEAL - WHITE 385311653 - MTG HARDWARE & FLOOR SEAL - BONE **Includes Item 6.
6	385311654 - FLOOR BOLT CAP - WHITE 385311655 - FLOOR BOLT CAP - BONE
7	385311656 - PEDAL COVER - WHITE 385311657 - PEDAL COVER - BONE
8	385311641 - WATER VALVE KIT
9	385311937 - BOWL SUPPLY HOSE **Includes Mounting Clamps.
10	385311164 - 1/2" SEALING GROMMET
11	385230335 - VACUUM BREAKER KIT(for sprayer option) **Includes Item 10.
12**	385311124 - HAND SPRAYER - WHITE **Includes Mounting Bracket.
13**	385319054 - HAND SPRAY KIT w/VAC BREAKER - WHITE **Includes Items 10, 11, & 12.

## PARTS LIST: 310 SLOW CLOSE SEAT TALL GRAVITY FLUSH TOILET



ITEM	PART NUMBER & DESCRIPTION
1	385312110 - VACUUM BREAKER REPL COVER - WHITE
	385312111 - VACUUM BREAKER REPL COVER - BONE **Includes Bolt Caps & Item 2.
2	385311861 - SEAT/COVER MOUNTING HARDWARE
3	385312075 - SLOW-CLOSE SEAT/CVR REPL - WHITE
	385312076 - SLOW-CLOSE SEAT/CVR REPL - BONE -Includes Items 1 & 2.
4	385311658 - FLUSH BALL SEAL
5	385311652 - MTG HARDWARE & FLOOR SEAL - WHITE
	385311653 - MTG HARDWARE & FLOOR SEAL - BONE **Includes Item 7.
6	385311654 - FLOOR BOLT CAP - WHITE
	385311655 - FLOOR BOLT CAP - BONE C7
7	385311656 - PEDAL COVER - WHITE
	385311657 - PEDAL COVER - BONE
8	385311641 - WATER VALVE KIT
9	385311937 - BOWL SUPPLY HOSE
	**Includes Mounting Clamps.
10	385311164 - 1/2" SEALING GROMMET
11	385316906 - VACUUM BREAKER KIT; WITHOUT SPRAYER **Includes Item 11.

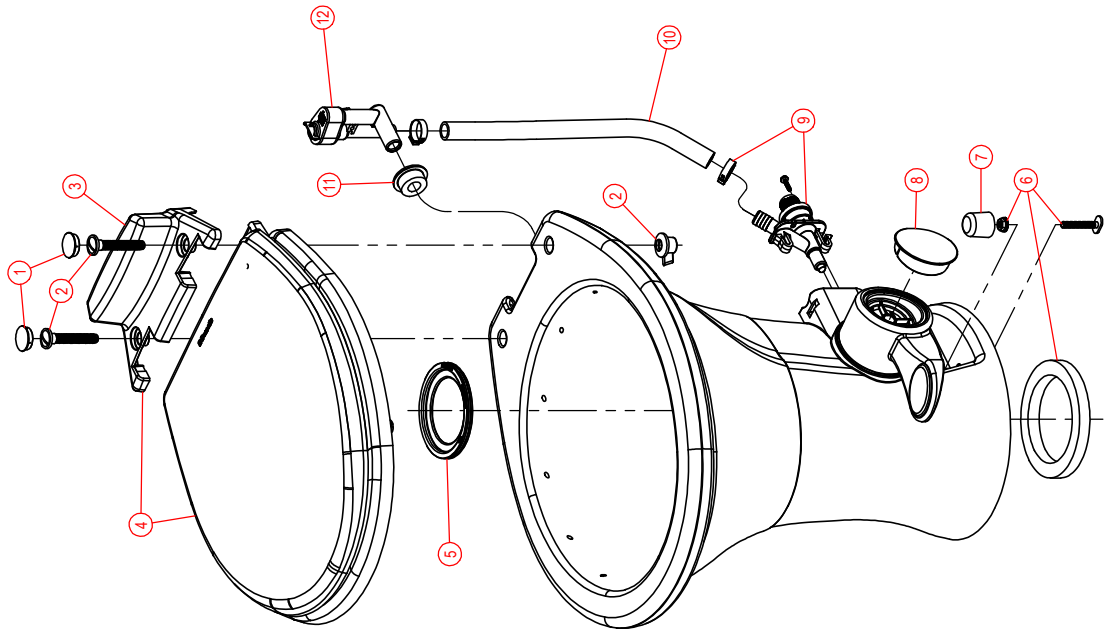
## PARTS LIST: 310 SLOW CLOSE SEAT TALL GRAVITY FLUSH TOILET



ITEM	PART NUMBER & DESCRIPTION
1	385312110 - VACUUM BREAKER REPL COVER - WHITE 385312111 - VACUUM BREAKER REPL COVER - BONE **Includes Bolt Caps & Item 2.
2	385311861 - SEAT/COVER MOUNTING HARDWARE
3	385312075 - SLOW-CLOSE SEAT/CVR REPL - WHITE 385312076 - SLOW-CLOSE SEAT/CVR REPL - BONE -Includes Items 1 & 2.
4	385311658 - FLUSH BALL SEAL
5	385311652 - MTG HARDWARE & FLOOR SEAL - WHITE 385311653 - MTG HARDWARE & FLOOR SEAL - BONE **Includes Item 7.
6	385311654 - FLOOR BOLT CAP - WHITE 385311655 - FLOOR BOLT CAP - BONE
7	385311656 - PEDAL COVER - WHITE 385311657 - PEDAL COVER - BONE
8	385311641 - WATER VALVE KIT
9	385311937 - BOWL SUPPLY HOSE **Includes Mounting Clamps.
10	385311164 - 1/2" SEALING GROMMET
11	385230335 - VACUUM BREAKER KIT **Includes Item 11.
12**	385311124 - HAND SPRAYER - WHITE **Includes Mounting Bracket.
13**	385319054 - HAND SPRAY KIT w/VAC BREAKER - WHITE **Includes Items 11, 12, & 13.

\*\*Items 12 & 13 are Optional Accessories;  
Not Provided with Every Model.

## PARTS LIST: 310 / 310S TALL GRAVITY FLUSH TOILET w/WOOD SEAT



ITEM	PART NUMBER & DESCRIPTION
1	385311648 - SEAT MOUNTING COVER - WHITE
	385311649 - SEAT MOUNTING COVER - BONE
2	385311650 - SEAT MOUNTING HARDWARE - WHITE
	385311651 - SEAT MOUNTING HARDWARE - BONE **Includes Item 1.
3	385311944 - VACUUM BREAKER REPL COVER - WHITE
	385311945 - VACUUM BREAKER REPL COVER - BONE **Includes Items 1 & 2.
4	385311949 - SEAT/COVER REPLACEMENT - WHITE
	385311950 - SEAT/COVER REPLACEMENT - BONE **Includes Items 1, 2, & 3.
5	385311658 - FLUSH BALL SEAL
6	385311652 - MTG HARDWARE & FLOOR SEAL - WHITE
	385311653 - MTG HARDWARE & FLOOR SEAL - BONE **Includes Item 7.
7	385311654 - FLOOR BOLT CAP - WHITE
	385311655 - FLOOR BOLT CAP - BONE C7
8	385311656 - PEDAL COVER - WHITE
	385311657 - PEDAL COVER - BONE
9	385311641 - WATER VALVE KIT
10	385311937 - BOWL SUPPLY HOSE **Includes Mounting Clamps.
11	385311164 - 1/2" SEALING GROMMET
12	385316906 - VACUUM BREAKER KIT; WITHOUT SPRAYER **Includes Item 11.

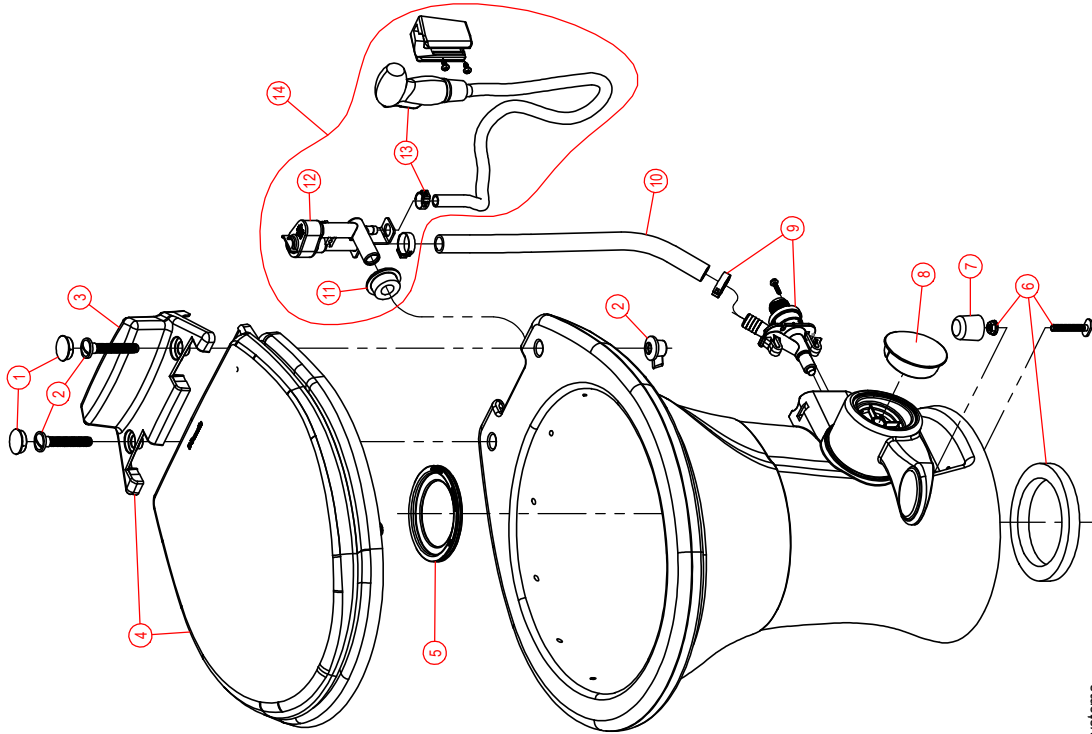
Dometic Corporation - Sanitation Systems  
 13128 State Rt. 226, P.O. Box 38  
 Big Prairie, OH 44611-0038 USA  
 Telephone: 330-439-5550  
 Fax: 330-496-3097  
 Email: [sealand@dometicusa.com](mailto:sealand@dometicusa.com)



## PARTS LIST: 310 / 310S TALL GRAVITY FLUSH TOILET w/WOOD SEAT

ITEM	PART NUMBER & DESCRIPTION
1	385311648 - SEAT MOUNTING COVER - WHITE 385311649 - SEAT MOUNTING COVER - BONE
2	385311650 - SEAT MOUNTING HARDWARE - WHITE 385311651 - SEAT MOUNTING HARDWARE - BONE **Includes Item 1.
3	385311944 - VACUUM BREAKER REPL COVER - WHITE 385311945 - VACUUM BREAKER REPL COVER - BONE **Includes Items 1 & 2.
4	385311949 - SEAT/COVER REPLACEMENT - WHITE 385311950 - SEAT/COVER REPLACEMENT - BONE **Includes Items 1, 2, & 3.
5	385311658 - FLUSH BALL SEAL
6	385311652 - MTG HARDWARE & FLOOR SEAL - WHITE 385311653 - MTG HARDWARE & FLOOR SEAL - BONE **Includes Item 7.
7	385311654 - FLOOR BOLT CAP - WHITE 385311655 - FLOOR BOLT CAP - BONE C7
8	385311656 - PEDAL COVER - WHITE 385311657 - PEDAL COVER - BONE
9	385311641 - WATER VALVE KIT
10	385311937 - BOWL SUPPLY HOSE **Includes Mounting Clamps.
11	385311164 - 1/2" SEALING GROMMET
12	385230335 - VACUUM BREAKER KIT **Includes Item 11.
13**	385311124 - HAND SPRAYER - WHITE **Includes Mounting Bracket.
14**	385319054 - HAND SPRAY KIT w/VAC BREAKER - WHITE **Includes Items 11, 12, & 13.

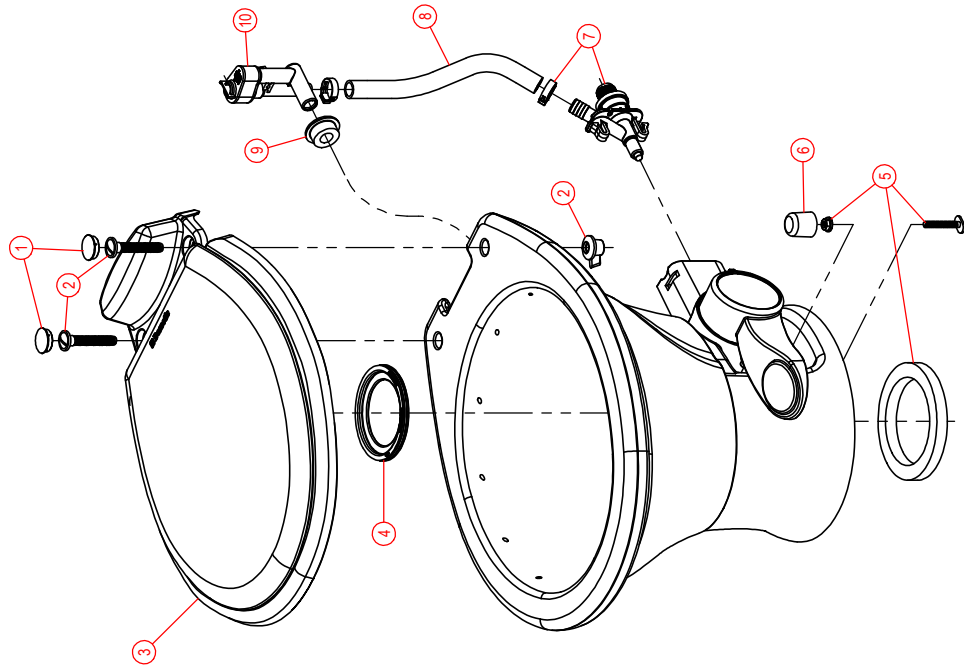
\*\*Items 13 & 14 are Optional Accessories;  
Not Provided with Every Model.



Domestic Corporation - Sanitation Systems  
13128 Stale Rt. 226, P.O. Box 38  
Big Prairie, OH 44611-0038 USA  
Telephone: 330-439-5550  
Fax: 330-496-3097  
Email: sealand@domesticusa.com

## PARTS LIST: 311/311S LOW-PROFILE GRAVIFY FLUSH TOILET

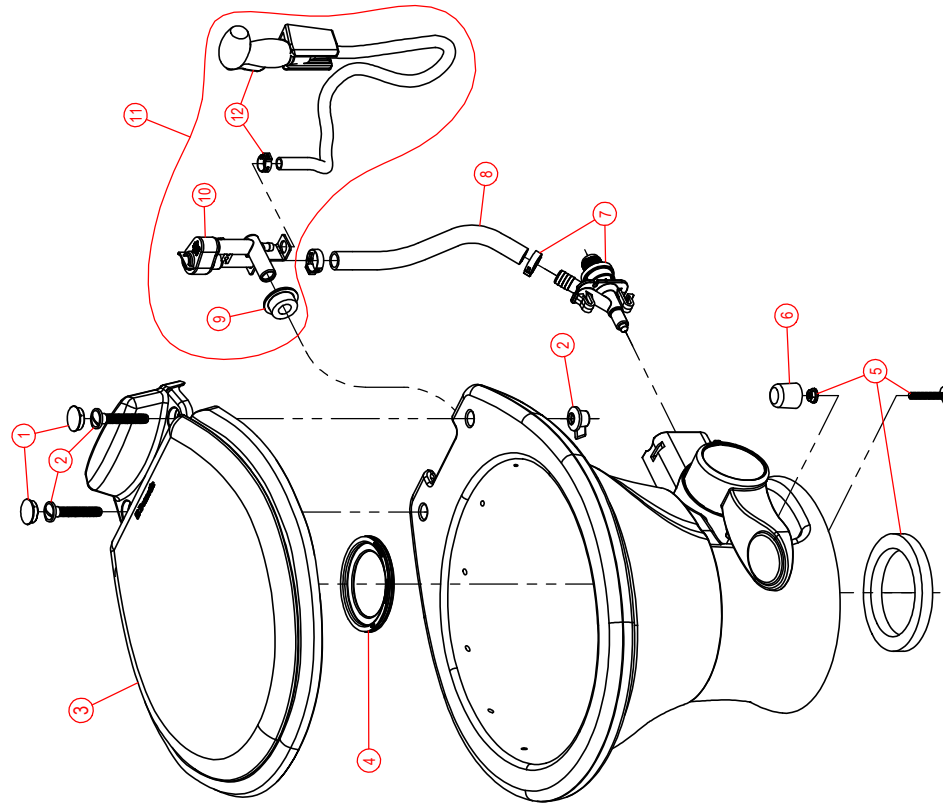
ITEM	PART NUMBER & DESCRIPTION
1	385311648 - SEAT MOUNTING COVER - WHITE 385311649 - SEAT MOUNTING COVER - BONE
2	385311650 - SEAT MOUNTING HARDWARE - WHITE 385311651 - SEAT MOUNTING HARDWARE - BONE **Includes Item 1.
3	385311646 - SEAT/COVER REPLACEMENT - WHITE 385311647 - SEAT/COVER REPLACEMENT - BONE **Includes Items 1 & 2.
4	385311658 - FLUSH BALL SEAL
5	385311652 - MTG HARDWARE & FLOOR SEAL - WHITE 385311653 - MTG HARDWARE & FLOOR SEAL - BONE **Includes Item 6.
6	385311654 - FLOOR BOLT CAP - WHITE 385311655 - FLOOR BOLT CAP - BONE
7	385311641 - WATER VALVE KIT
8	385311937 - BOWL SUPPLY HOSE **Includes Mounting Clamps.
9	385311164 - 1/2" SEALING GROMMET
10	385316906 - VACUUM BREAKER KIT **Includes Item 9.



Dometic Corporation - Sanitation Systems  
 13128 State Rt. 226, P.O. Box 38  
 Big Prairie, OH 44611-0038 USA  
 Telephone: 330-439-5550  
 Fax: 330-496-3097  
 Email: sealand@dometicusa.com

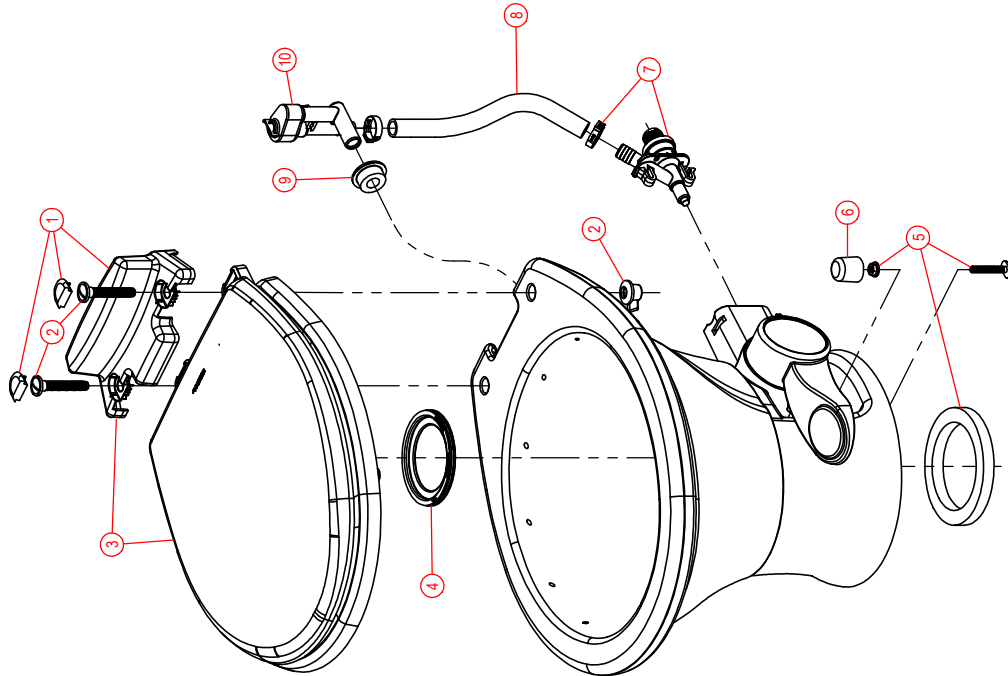
## PARTS LIST: 311/311S LOW-PROFILE GRAVIFY FLUSH TOILET

ITEM	PART NUMBER & DESCRIPTION
1	385311648 - SEAT MOUNTING COVER - WHITE 385311649 - SEAT MOUNTING COVER - BONE
2	385311650 - SEAT MOUNTING HARDWARE - WHITE 385311651 - SEAT MOUNTING HARDWARE - BONE **Includes Item 1.
3	385311646 - SEAT/COVER REPLACEMENT - WHITE 385311647 - SEAT/COVER REPLACEMENT - BONE **Includes Items 1 & 2.
4	385311658 - FLUSH BALL SEAL
5	385311652 - MTG HARDWARE & FLOOR SEAL - WHITE 385311653 - MTG HARDWARE & FLOOR SEAL - BONE **Includes Item 6.
6	385311654 - FLOOR BOLT CAP - WHITE 385311655 - FLOOR BOLT CAP - BONE
7	385311641 - WATER VALVE KIT
8	385311937 - BOWL SUPPLY HOSE **Includes Mounting Clamps.
9	385311164 - 1/2" SEALING GROMMET
10	385230335 - VACUUM BREAKER KIT; WITH SPRAYER **Includes Item 9.
11**	385319054 - HAND SPRAY KIT w/VAC BREAKER - WHITE **Includes Items 9, 10, & 12.
12**	385311124 - HAND SPRAYER - WHITE **Includes Mounting Bracket.



\*\*ITEMS 11 & 12 ARE OPTIONAL ACCESSORIES;  
NOT PROVIDED WITH EVERY MODEL.

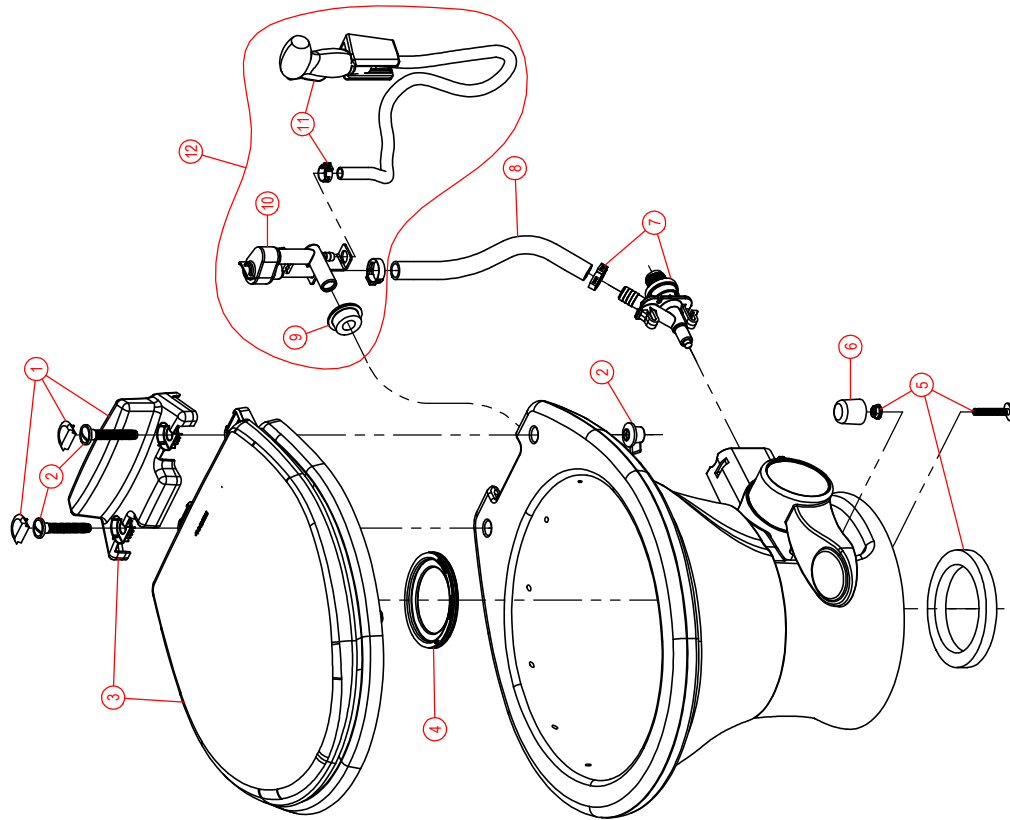
# PARTS LIST: 311 SLOW CLOSE SEAT TALL GRAVITY FLUSH TOILET



ITEM	PART NUMBER & DESCRIPTION
1	385312110 - VACUUM BREAKER REPL COVER - WHITE 385312111 - VACUUM BREAKER REPL COVER - BONE **Includes Bolt Caps & Item 2.
2	385311861 - SEAT/COVER MOUNTING HARDWARE
3	385312075 - SLOW-CLOSE SEAT/CVR REPL - WHITE 385312076 - SLOW-CLOSE SEAT/CVR REPL - BONE -Includes Items 1 & 2.
4	385311658 - FLUSH BALL SEAL
5	385311652 - MTG HARDWARE & FLOOR SEAL - WHITE 385311653 - MTG HARDWARE & FLOOR SEAL - BONE **Includes Item 7.
6	385311654 - FLOOR BOLT CAP - WHITE 385311655 - FLOOR BOLT CAP - BONE
7	385311641 - WATER VALVE KIT
8	385311937 - BOWL SUPPLY HOSE **Includes Mounting Clamps.
9	385311164 - 1/2" SEALING GROMMET
10	385316906 - VACUUM BREAKER KIT **Includes Item 10.

Dometic Corporation - Sanitation Systems  
 13128 State Rt. 226, P.O. Box 38  
 Big Prairie, OH 44611-0038 USA  
 Telephone: 330-439-5550  
 Fax: 330-496-3097  
 Email: sealand@dometicusa.com

## PARTS LIST: 311 SLOW CLOSE SEAT TALL GRAVITY FLUSH TOILET



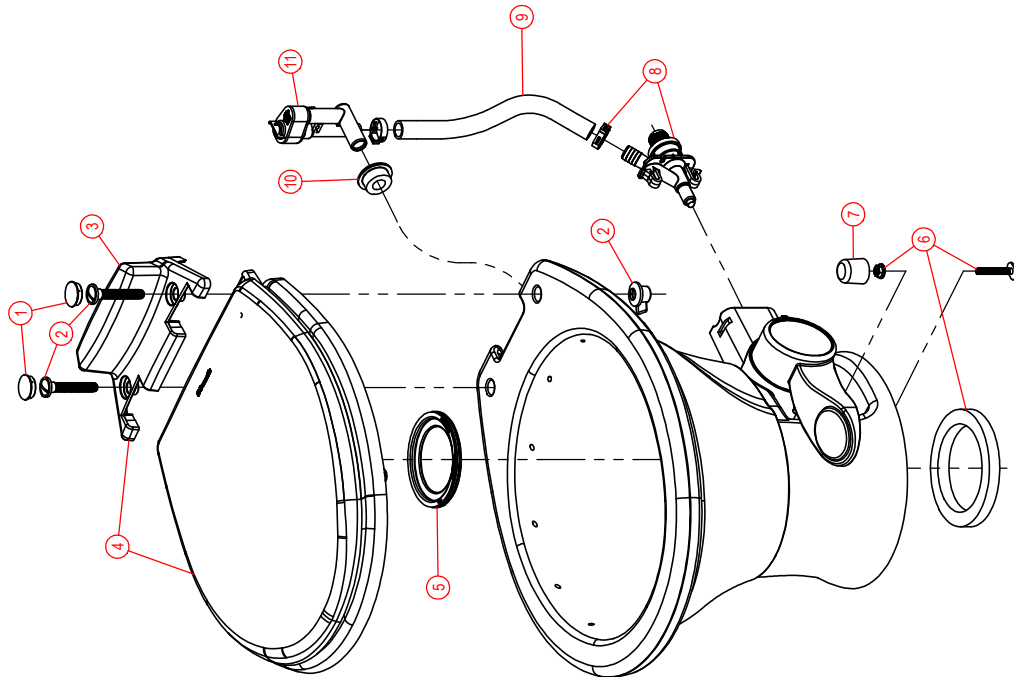
ITEM	PART NUMBER & DESCRIPTION
1	385312110 - VACUUM BREAKER REPL COVER - WHITE 385312111 - VACUUM BREAKER REPL COVER - BONE **Includes Bolt Caps & Item 2.
2	385311861 - SEAT/COVER MOUNTING HARDWARE
3	385312075 - SLOW-CLOSE SEAT/CVR REPL - WHITE 385312076 - SLOW-CLOSE SEAT/CVR REPL - BONE -Includes Items 1 & 2.
4	385311658 - FLUSH BALL SEAL
5	385311652 - MTG HARDWARE & FLOOR SEAL - WHITE 385311653 - MTG HARDWARE & FLOOR SEAL - BONE **Includes Item 7.
6	385311654 - FLOOR BOLT CAP - WHITE 385311655 - FLOOR BOLT CAP - BONE
7	385311641 - WATER VALVE KIT
8	385311937 - BOWL SUPPLY HOSE **Includes Mounting Clamps.
9	385311164 - 1/2" SEALING GROMMET
10	385230335 - VACUUM BREAKER KIT (for sprayer option) **Includes Item 10.
11**	385311124 - HAND SPRAYER - WHITE **Includes Mounting Bracket.
12**	385319054 - HAND SPRAY KIT w/VAC BREAKER - WHITE **Includes Items 10, 11, & 12.

\*\*Items 12 & 13 are Optional Accessories;  
 Not Provided with Every Model.

Dometic Corporation - Sanitation Systems  
 13128 State Rt. 226, P.O. Box 38  
 Big Prairie, OH 44611-0038 USA  
 Telephone: 330-439-5550  
 Fax: 330-496-3097  
 Email: sealand@dometicusa.com



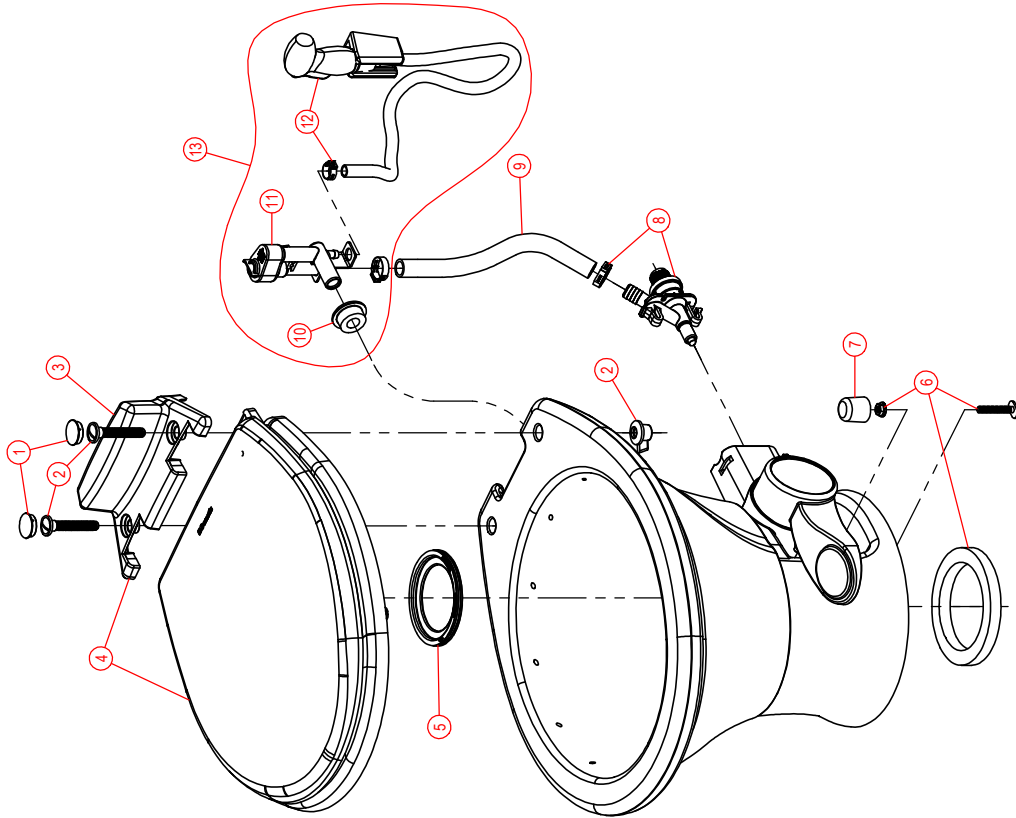
## PARTS LIST: 311/311S LOW-PROFILE GRAVIFY FLUSH TOILET w/WOOD SEAT



ITEM	PART NUMBER & DESCRIPTION
1	385311648 - SEAT MOUNTING COVER - WHITE 385311649 - SEAT MOUNTING COVER - BONE
2	385311650 - SEAT MOUNTING HARDWARE - WHITE 385311651 - SEAT MOUNTING HARDWARE - BONE **Includes Item 1.
3	385311944 - VACUUM BREAKER REPL COVER - WHITE 385311945 - VACUUM BREAKER REPL COVER - BONE **Includes Items 1 & 3.
4	385311949 - SEAT/COVER REPLACEMENT - WHITE 385311950 - SEAT/COVER REPLACEMENT - BONE **Includes Items 1, 2, & 3.
5	385311658 - FLUSH BALL SEAL
6	385311652 - MTG HARDWARE & FLOOR SEAL - WHITE 385311653 - MTG HARDWARE & FLOOR SEAL - BONE **Includes Item 7.
7	385311654 - FLOOR BOLT CAP - WHITE 385311655 - FLOOR BOLT CAP - BONE
8	385311641 - WATER VALVE KIT
9	385311937 - BOWL SUPPLY HOSE **Includes Mounting Clamps.
10	385311164 - 1/2" SEALING GROMMET
11	385316906 - VACUUM BREAKER KIT **Includes Item 10.

Dometic Corporation - Sanitation Systems  
 13128 State Rt. 226, P.O. Box 38  
 Big Prairie, OH 44611-0038 USA  
 Telephone: 330-439-5550  
 Fax: 330-496-3097  
 Email: sealand@dometicusa.com

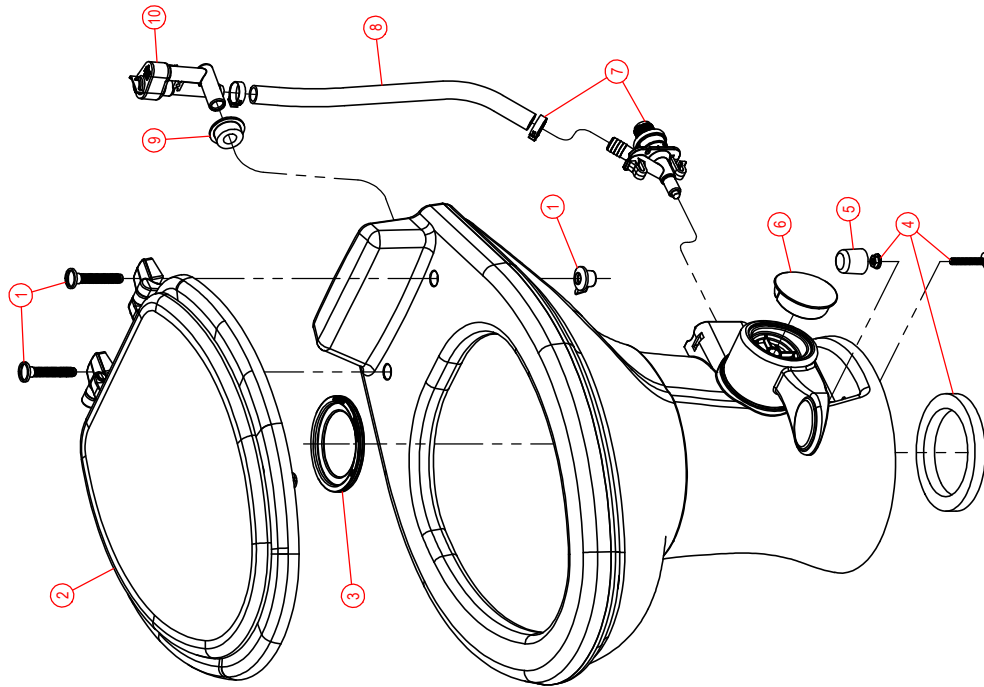
## PARTS LIST: 311/311S LOW-PROFILE GRAVIFY FLUSH TOILET w/WOOD SEAT



ITEM	PART NUMBER & DESCRIPTION
1	385311648 - SEAT MOUNTING COVER - WHITE 385311649 - SEAT MOUNTING COVER - BONE
2	385311650 - SEAT MOUNTING HARDWARE - WHITE 385311651 - SEAT MOUNTING HARDWARE - BONE **Includes Item 1.
3	385311944 - VACUUM BREAKER REP'L COVER - WHITE 385311945 - VACUUM BREAKER REP'L COVER - BONE **Includes Items 1 & 3.
4	385311949 - SEAT/COVER REPLACEMENT - WHITE 385311950 - SEAT/COVER REPLACEMENT - BONE **Includes Items 1, 2, & 3.
5	385311658 - FLUSH BALL SEAL
6	385311652 - MTG HARDWARE & FLOOR SEAL - WHITE 385311653 - MTG HARDWARE & FLOOR SEAL - BONE **Includes Item 7.
7	385311654 - FLOOR BOLT CAP - WHITE 385311655 - FLOOR BOLT CAP - BONE
8	385311641 - WATER VALVE KIT
9	385311937 - BOWL SUPPLY HOSE **Includes Mounting Clamps.
10	385311164 - 1/2" SEALING GROMMET
11	385230335 - VACUUM BREAKER KIT (for sprayer option) **Includes Item 10.
12**	385311124 - HAND SPRAYER - WHITE **Includes Mounting Bracket.
13**	385319054 - HAND SPRAY KIT w/VAC BREAKER - WHITE **Includes Items 10, 11, & 12C3.

\*\*Items 12 & 13 are Optional Accessories;  
Not Provided with Every Model.

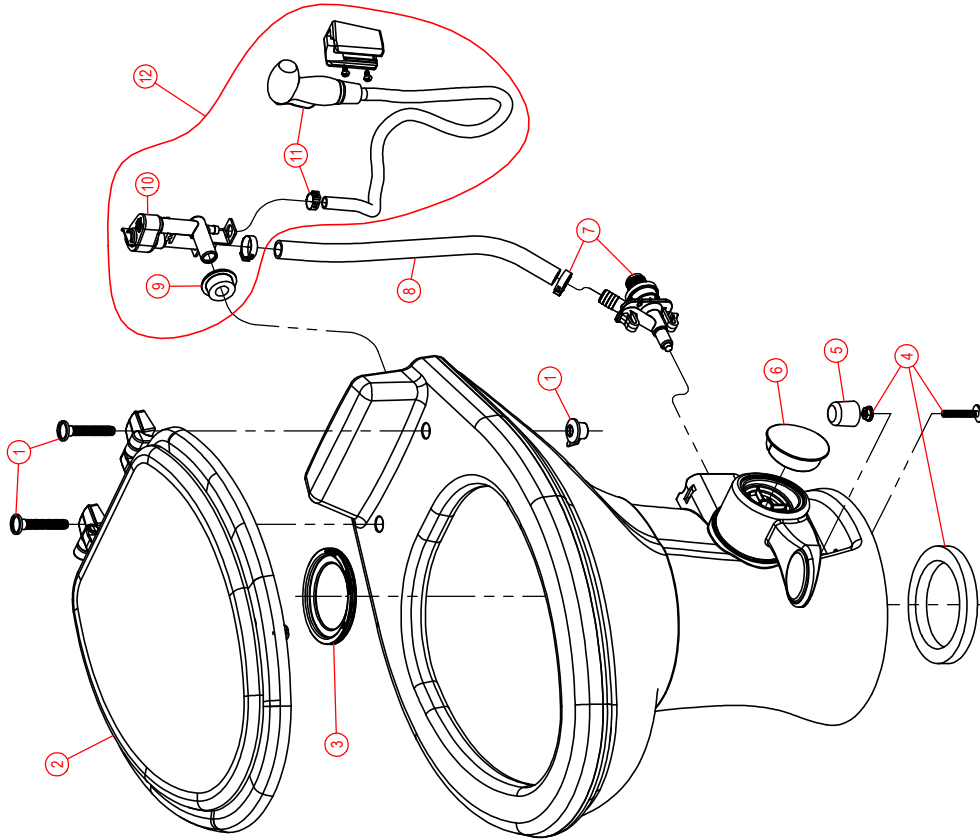
## PARTS LIST: 320 TALL GRAVITY FLUSH TOILET



ITEM	PART NUMBER & DESCRIPTION
1	385311650 - SEAT MOUNTING HARDWARE - WHITE 385311651 - SEAT MOUNTING HARDWARE - BONE
2	385311863 - 320 SEAT/COVER REPLACEMENT - WHITE 385311864 - 320 SEAT/COVER REPLACEMENT - BONE **Includes Item 1.
3	385311658 - FLUSH BALL SEAL
4	385311652 - MTG HARDWARE & FLOOR SEAL - WHITE 385311653 - MTG HARDWARE & FLOOR SEAL - BONE **Includes Item 5.
5	385311654 - FLOOR BOLT CAP - WHITE 385311655 - FLOOR BOLT CAP - BONE
6	385311656 - PEDAL COVER - WHITE 385311657 - PEDAL COVER - BONE
7	385311641 - WATER VALVE KIT
8	385311937 - BOWL SUPPLY HOSE **Includes Mounting Clamps.
9	385311164 - 1/2" SEALING GROMMET
10	385316906 - VACUUM BREAKER KIT; WITHOUT SPRAYER **Includes Item 9.

Dometic Corporation - Sanitation Systems  
 13128 State Rt. 226, P.O. Box 38  
 Big Prairie, OH 44611-0038 USA  
 Telephone: 330-439-5550  
 Fax: 330-496-3097  
 Email: sealand@dometicusa.com

## PARTS LIST: 320 TALL GRAVITY FLUSH TOILET

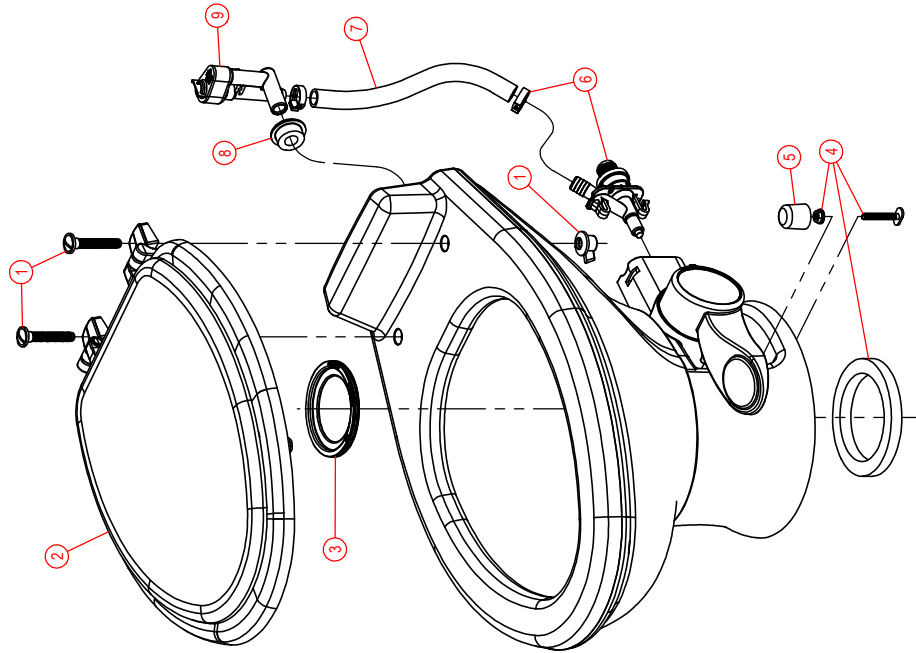


ITEM	PART NUMBER & DESCRIPTION
1	385311650 - SEAT MOUNTING HARDWARE - WHITE 385311651 - SEAT MOUNTING HARDWARE - BONE
2	385311863 - 320 SEAT/COVER REPLACEMENT - WHITE 385311864 - 320 SEAT/COVER REPLACEMENT - BONE **Includes Item 1.
3	385311658 - FLUSH BALL SEAL
4	385311652 - MTG HARDWARE & FLOOR SEAL - WHITE 385311653 - MTG HARDWARE & FLOOR SEAL - BONE **Includes Item 5.
5	385311654 - FLOOR BOLT CAP - WHITE 385311655 - FLOOR BOLT CAP - BONE
6	385311656 - PEDAL COVER - WHITE 385311657 - PEDAL COVER - BONE
7	385311641 - WATER VALVE KIT
8	385311937 - BOWL SUPPLY HOSE **Includes Mounting Clamps.
9	385311164 - 1/2" SEALING GROMMET
10	385230335 - VACUUM BREAKER KIT(for sprayer option) **Includes Item 9C3 .
11**	385311124 - HAND SPRAYER - WHITE **Includes Mounting Bracket.
12**	385319054 - HAND SPRAY KIT w/VAC BREAKER - WHITE **Includes Items 9, 10, & 11.

\*\*Items 11 & 12 are optional accessories;  
not provided with every model.

## PARTS LIST: 321 & 321S LOW-PROFILE GRAVITY TOILET

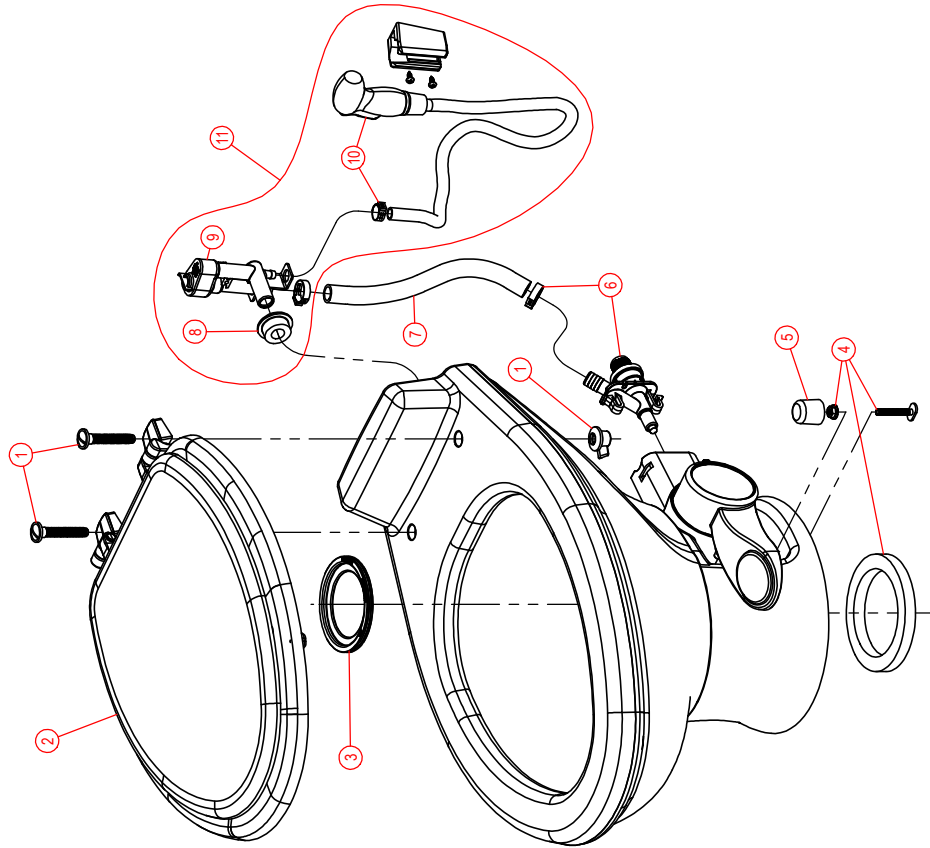
ITEM	PART NUMBER & DESCRIPTION
1	385311650 - SEAT MOUNTING HARDWARE - WHITE 385311651 - SEAT MOUNTING HARDWARE - BONE
2	385311863 - 320 SEAT/COVER REPLACEMENT - WHITE 385311864 - 320 SEAT/COVER REPLACEMENT - BONE **Includes Item 1.
3	385311658 - FLUSH BALL SEAL
4	385311652 - MTG HARDWARE & FLOOR SEAL - WHITE 385311653 - MTG HARDWARE & FLOOR SEAL - BONE **Includes Item 5.
5	385311654 - FLOOR BOLT CAP - WHITE 385311655 - FLOOR BOLT CAP - BONE
6	385311641 - WATER VALVE KIT
7	385311937 - BOWL SUPPLY HOSE **Includes Mounting Clamps.
8	385311164 - 1/2" SEALING GROMMET
9	3853116906 - VACUUM BREAKER KIT; WITHOUT SPRAYER **Includes Item #8.



Dometic Corporation - Sanitation Systems  
 13128 State Rt. 226, P. O. Box 38  
 Big Prairie, OH 44611-0038 USA  
 Telephone: 330-439-5550  
 Fax: 330-496-3097  
 Email: sealant@dometicusa.com



## PARTS LIST: 321 & 321S LOW-PROFILE GRAVITY TOILET

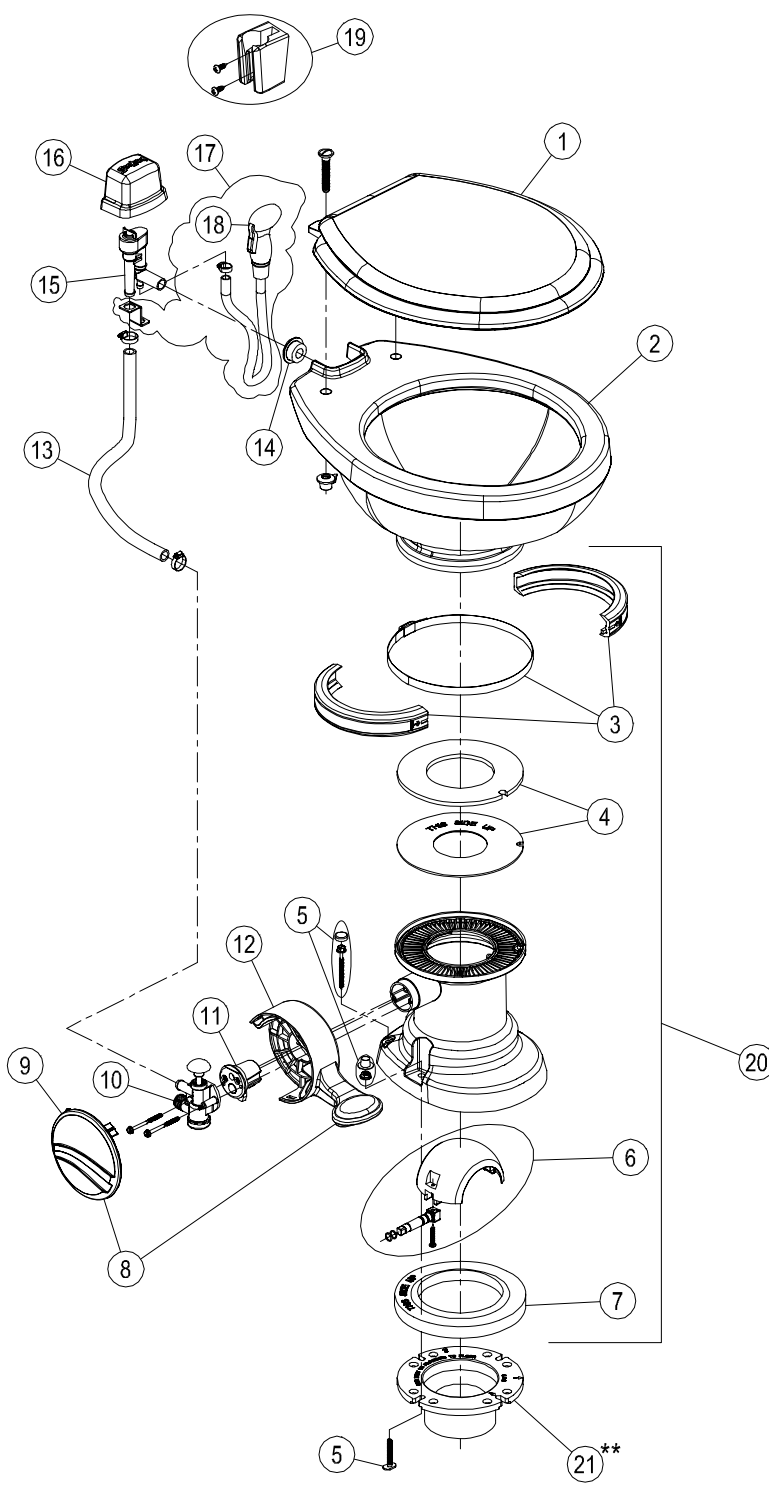


ITEM	PART NUMBER & DESCRIPTION
1	385311650 - SEAT MOUNTING HARDWARE - WHITE 385311651 - SEAT MOUNTING HARDWARE - BONE
2	385311863 - 320 SEAT/COVER REPLACEMENT - WHITE 385311864 - 320 SEAT/COVER REPLACEMENT - BONE **Includes Item 1.
3	385311658 - FLUSH BALL SEAL
4	385311652 - MTG HARDWARE & FLOOR SEAL - WHITE 385311653 - MTG HARDWARE & FLOOR SEAL - BONE **Includes Item 5.
5	385311654 - FLOOR BOLT CAP - WHITE 385311655 - FLOOR BOLT CAP - BONE
6	385311641 - WATER VALVE KIT
7	385311937 - BOWL SUPPLY HOSE **Includes Mounting Clamps.
8	38531164 - 1/2" SEALING GROMMET
9	385230335 - VACUUM BREAKER KIT (for sprayer option) **Includes Item 8.
10**	385311124 - HAND SPRAYER - WHITE **Includes Mounting Bracket.
11**	385319054 - HAND SPRAY KIT w/VAC BREAKER - WHITE **Includes Items 8, 9, & 10.

\*\*Item 11 & 12 are optional accessories;  
 not provided with every model.

Domestic Corporation - Sanitation Systems  
 13128 State Rt. 226, P.O. Box 38  
 Big Prairie, OH 44611-0038 USA  
 Telephone: 330-439-5550  
 Fax: 330-496-3097  
 Email: sealand@domesticusa.com

# PARTS LIST: 110 MODEL

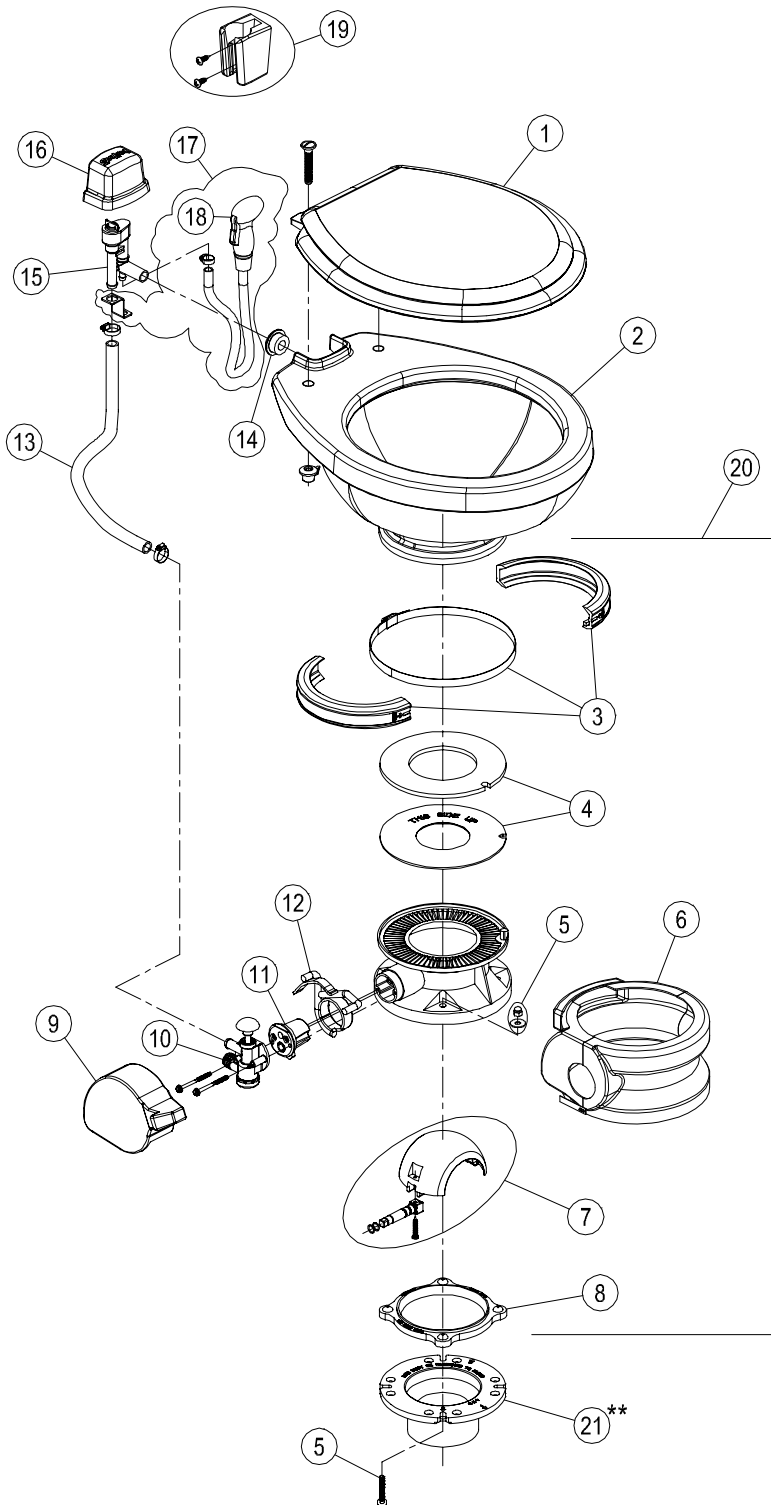


ITEM	PART NUMBER & DESCRIPTION
1	385344088 SEAT/COVER - WHITE
	385344089 SEAT/COVER - BONE
2	385310790 CHINA BOWL KIT - WHITE
	385310791 CHINA BOWL KIT - BONE
3	385310025 BOWL/BASE CLAMP KIT - WHITE
	385310048 BOWL/BASE CLAMP KIT - BONE
4	385311462 FLUSH BALL SEAL REPL KIT
5	385310794 MOUNTING HARDWARE - WHITE
	385310803 MOUNTING HARDWARE - BONE
6	385310681 FLUSH BALL, SHAFT, CARTRIDGE KIT **INCLUDES ITEM 11.
7	385311267 FLOOR FLANGE SEAL
8	385311119 PEDAL & COVER - WHITE
	385311120 PEDAL & COVER - BONE
9	385311179 PEDAL COVER - WHITE
	385311180 PEDAL COVER - BONE
10	385314349 WATER VALVE KIT
11	385310683 SPRING CARTRIDGE KIT
12	385311121 PEDAL/CARTRIDGE KIT - WHITE
	385311122 PEDAL/CARTRIDGE KIT - BONE **INCLUDES ITEM 9 & 11.
13	385340177 BOWL WATER SUPPLY HOSE - WHITE
	385345377 BOWL WATER SUPPLY HOSE - BONE
14	385311164 1/2" SEALING GROMMET
15	385230335 VACUUM BREAKER KIT w/HAND SPRAY
	385316906 VACUUM BREAKER KIT **INCLUDES ITEM 14.
16	385310795 VACUUM BREAKER COVER - WHITE
	385310796 VACUUM BREAKER COVER - BONE
17*	385319054 HAND SPRAY KIT w/VAC BREAKER - WHT **INCLUDES ITEM 14, 15, 18
18*	385311124 HAND SPRAYER - WHITE **INCLUDES ITEM 19.
19*	385230319 HAND SPRAY BRACKET w/SCREW-WHT
20	385310792 110 BASE KIT - WHITE
	385310793 110 BASE KIT - BONE **INCLUDES ITEM 3-12.
21**	385345889 3" MPT FLOOR FLANGE
	385345892 3" SOCKET FLOOR FLANGE
	385343765 3" SPIGOT FLOOR FLANGE
	385310961 45° SWIVEL FLOOR FLANGE*
	*MUST BE USED WITH SEAL INCLUDED IN KIT.

\* ITEMS 17, 18, & 19 ARE OPTIONAL ACCESSORIES;  
NOT PROVIDED WITH EVERY MODEL.

\*\* ITEM 21 IS SOLD SEPARATELY; NOT INCLUDED WITH THE TOILET.

# PARTS LIST: 111 MODEL

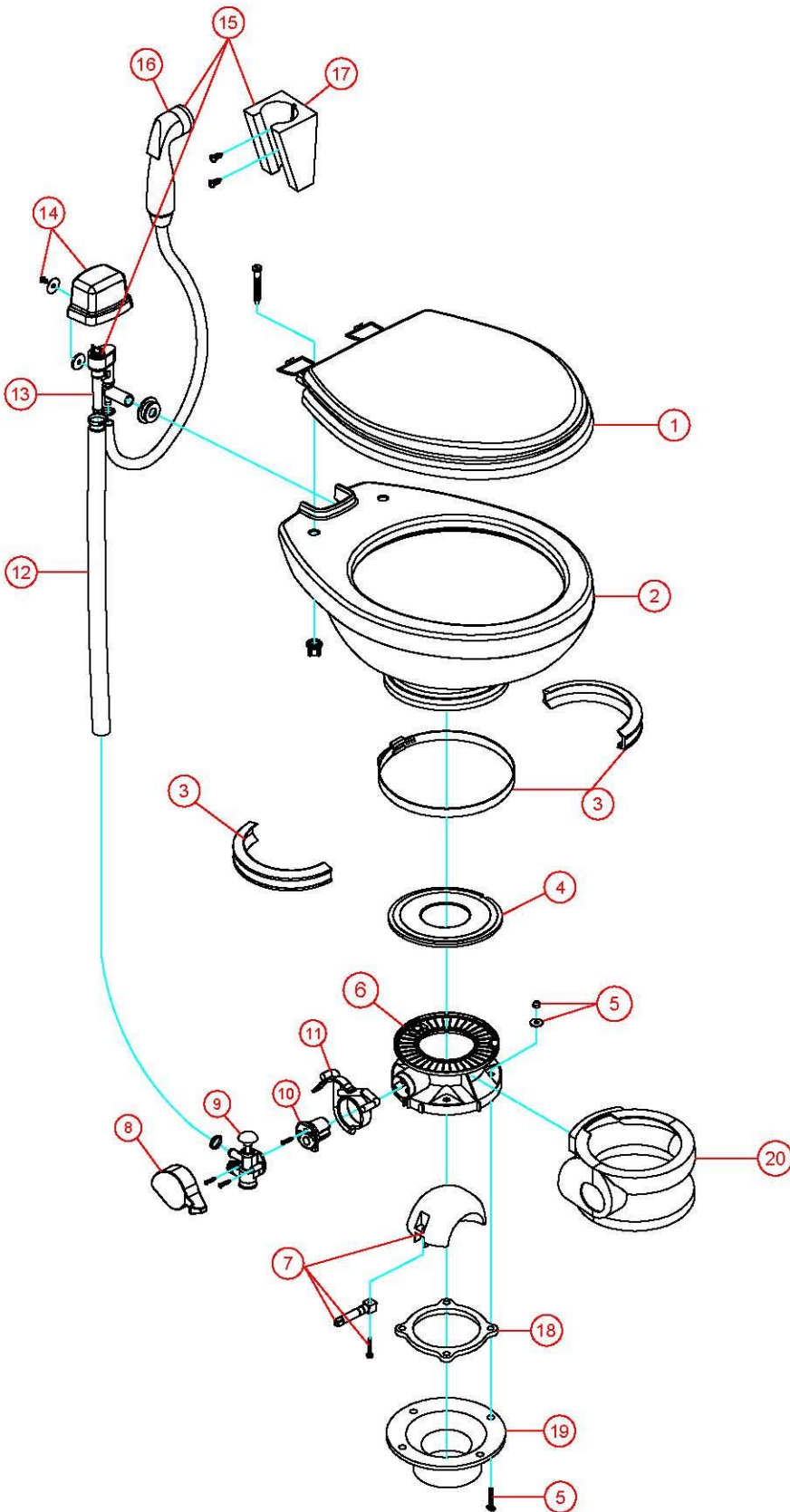


ITEM	PART NUMBER & DESCRIPTION	
1	385344088	SEAT/COVER - WHITE
	385344089	SEAT/COVER - BONE
2	385310790	CHINA BOWL KIT - WHITE
	385310791	CHINA BOWL KIT - BONE
3	385310048	BOWL/BASE CLAMP KIT - BONE
4	385311462	FLUSH BALL SEAL REPL KIT
5	385310064	MOUNTING HARDWARE
6	385310108	PEDESTAL COVER - WHITE
	385310109	PEDESTAL COVER - BONE
7	385318162	FLUSH BALL, SHAFT, CARTRIDGE KIT **INCLUDES ITEM 11.
8	385310063	FLOOR FLANGE SEAL
9	385311551	PEDAL COVER - WHITE
	385311552	PEDAL COVER - BONE
10	385314349	WATER VALVE KIT
11	385236096	SPRING CARTRIDGE KIT
12	385311553	PEDAL/LEVER & CARTRIDGE KIT **INCLUDES ITEM 11.
13	385340177	BOWL WATER SUPPLY HOSE - WHITE
	385345377	BOWL WATER SUPPLY HOSE - BONE
14	385311164	1/2" SEALING GROMMET
15	385230335	VACUUM BREAKER KIT w/HAND SPRAY
	385316906	VACUUM BREAKER KIT **INCLUDES ITEM 14.
16	385310795	VACUUM BREAKER COVER - WHITE
	385310796	VACUUM BREAKER COVER - BONE
17*	385319054	HAND SPRAY KIT w/VAC BREAKER - WHT **INCLUDES ITEM 14, 15, 18.
18*	385311124	HAND SPRAYER - WHITE **INCLUDES ITEM 19.
19*	385230319	HAND SPRAY BRACKET w/SCREW-WHT
20	385311559	111 BASE KIT - WHITE
	385311560	111 BASE KIT - BONE **INCLUDES ITEM 3-12.
21**	385345889	3" MPT FLOOR FLANGE
	385345892	3" SOCKET FLOOR FLANGE
	385343765	3" SPIGOT FLOOR FLANGE
	385310961	45° SWIVEL FLOOR FLANGE* *MUST BE USED WITH SEAL INCLUDED IN KIT.

\* ITEMS 17, 18, & 19 ARE OPTIONAL ACCESSORIES;  
NOT PROVIDED WITH EVERY MODEL.

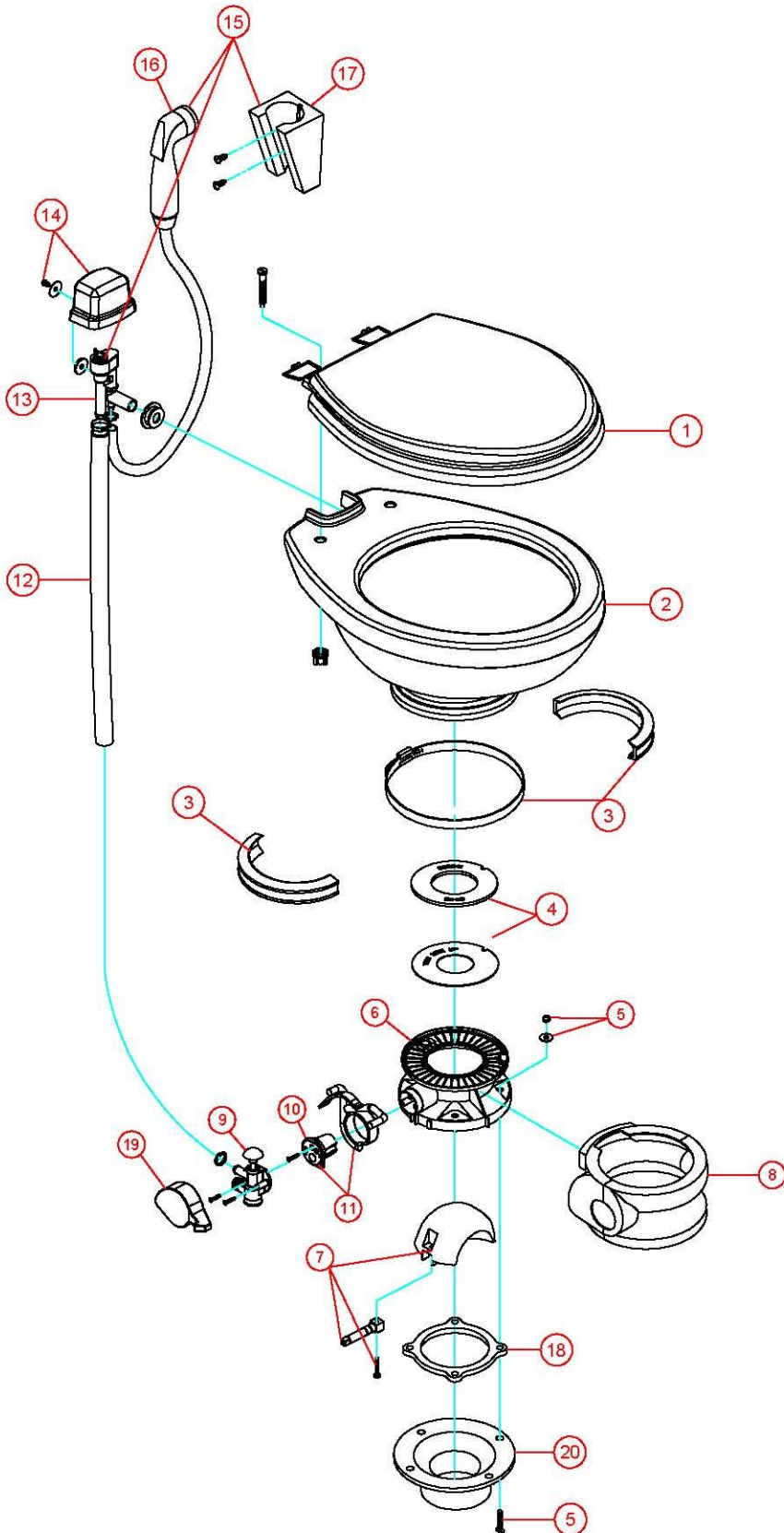
\*\* ITEM 21 IS SOLD SEPARATELY; NOT INCLUDED WITH THE TOILET.

# PARTS LIST: 111 TRAVELER LITE (wood seat)



ITEM	PART NO.	DESCRIPTION
1	385343829	KIT, SEAT-CV'R 500+ - WHITE
	385343831	KIT, SEAT-CV'R 500+ - BONE
2	385310790	KIT,BOWL TRAVELER LITE/WHITE
	385310791	KIT,BOWL TRAVELER LITE/BONE
3	385310048	KIT, HALF CLAMP-BONE
	385310025	KIT, HALF CLAMP-WHITE
4	385310677	SEAL REPLACEMENT , KIT
5	385310064	KIT, MOUNT-TRAVELER-506/806
<b>BASE KIT INCLUDES THE FOLLOWING ITEMS 3-11 &amp; 18 &amp; 20</b>		
6	385311560	KIT, BASE SH'T GR S.PED-BON
	385311559	KIT, BASE SH'T GR S.PED-WHT
7	385310681	KIT,BALL,SHAFT & CART, WHITE (INC. 10)
8	385311551	KIT, SHORT PAD/PEDAL COVER-WHT
	385311552	KIT, SHORT PAD/PEDAL COVER-BNE
9	385314349	KIT, WATER VALVE
10	385236096	KIT, SPRING CARTRIDGE
11	385311553	KIT, SHORT PAD LEVER/CART (INC.10)
12	385340177	KIT, SUPPLY HOSE-BONE
	385345377	KIT, SUPPLY HOSE-WHITE
13	385316906	VACUUM BREAKER, KIT - WITHOUT SPRAY
	385230335	VACUUM BREAKER, KIT - WITH SPRAY
14	385310795	VACUUM BREAKER COVER, KIT- WHITE
	385310796	VACUUM BREAKER COVER, KIT- BONE
15	385319054	VACUUM BREAKER, KIT (INC. 13,16,17)
16	385311124	KIT, HAND SPRAY-WHITE
17	385230319	KIT, BRACKET-HAND SPRAY(screws inc.)
18	385310063	KIT, FLOOR FLANGE SEAL
<b>ITEM 19 SOLD SEPARATELY</b>		
19	385345889	FLOOR FLANGE, 3" MPT
	385345892	FLOOR FLANGE, 3" SOCKET
	385343765	FLOOR FLANGE, 3" SPIGOT
	385310961	FLOOR FLANGE ADAPTER, 45° SWIVEL *must be used with seal included in kit.
20	385310108	KIT, SHORT BASE COVER-WHITE
	385310109	KIT, SHORT BASE COVER-BONE

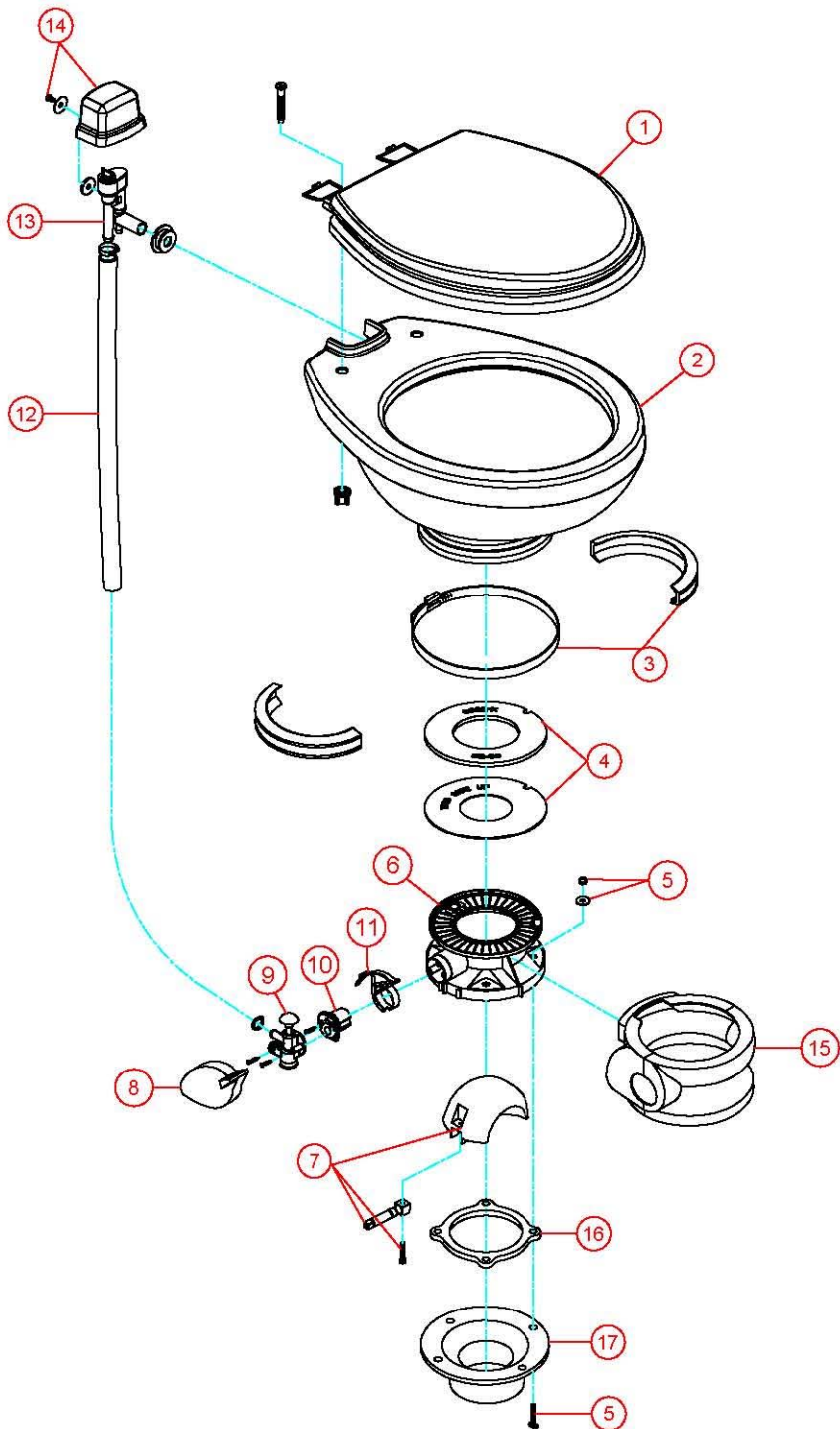
# PARTS LIST: TRAVELER LITE 111WS/ECP-303011101 - 302011191



ITEM	PART NO.	DESCRIPTION
1	385311401	KIT, SEAT-CV'R 500+ - WHITE
2	385310790	KIT,BOWL TRAVELER LITE/WHITE
3	385310048	KIT, HALF CLAMP-BONE
4	385311462	SEAL REPLACEMENT ,KIT
5	385310064	KIT, MOUNT-TRAVELER-506/806
6	385311559	KIT, BASE SHT GRAV S-PED-WHT(INC. 3 -11)
7	385310681	KIT,BALL,SHAFT & CART, WHITE (INC. 10)
8	385310108	KIT, SHORT BASE COVER-WHITE
9	385314349	KIT, WATER VALVE
10	385236096	KIT, SPRING-CARTRIDGE
11	385311553	KIT, SHORT PAD LEVER/CART(INC. 10)
12	385345377	KIT, SUPPLY HOSE-WHITE
13	385230335	KIT, HAND SPRAY VB
14	385310795	VACUUM BREAKER COVER, KIT- WHITE
15	385319054	VACUUM BREAKER, KIT (INC. 13,16,17,20)
16	385311124	KIT, HAND SPRAY-WHITE
17	385230319	KIT, BRACKET-HAND SPRAY (screws inc.)
18	385310063	KIT, FLOOR FLANGE SEAL
19	385311551	KIT, SHORT PAD/PEDAL COVER-WHT
<b>ITEM 19 SOLD SEPARATELY</b>		
20	385345889	FLOOR FLANGE, 3" MPT
	385345892	FLOOR FLANGE, 3" SOCKET
	385343765	FLOOR FLANGE, 3" SPIGOT
	385310961	FLOOR FLANGE ADAPTER, 45° SWIVEL *must be used with seal included in kit.



# PARTS LIST: 131 TRAVELER LITE

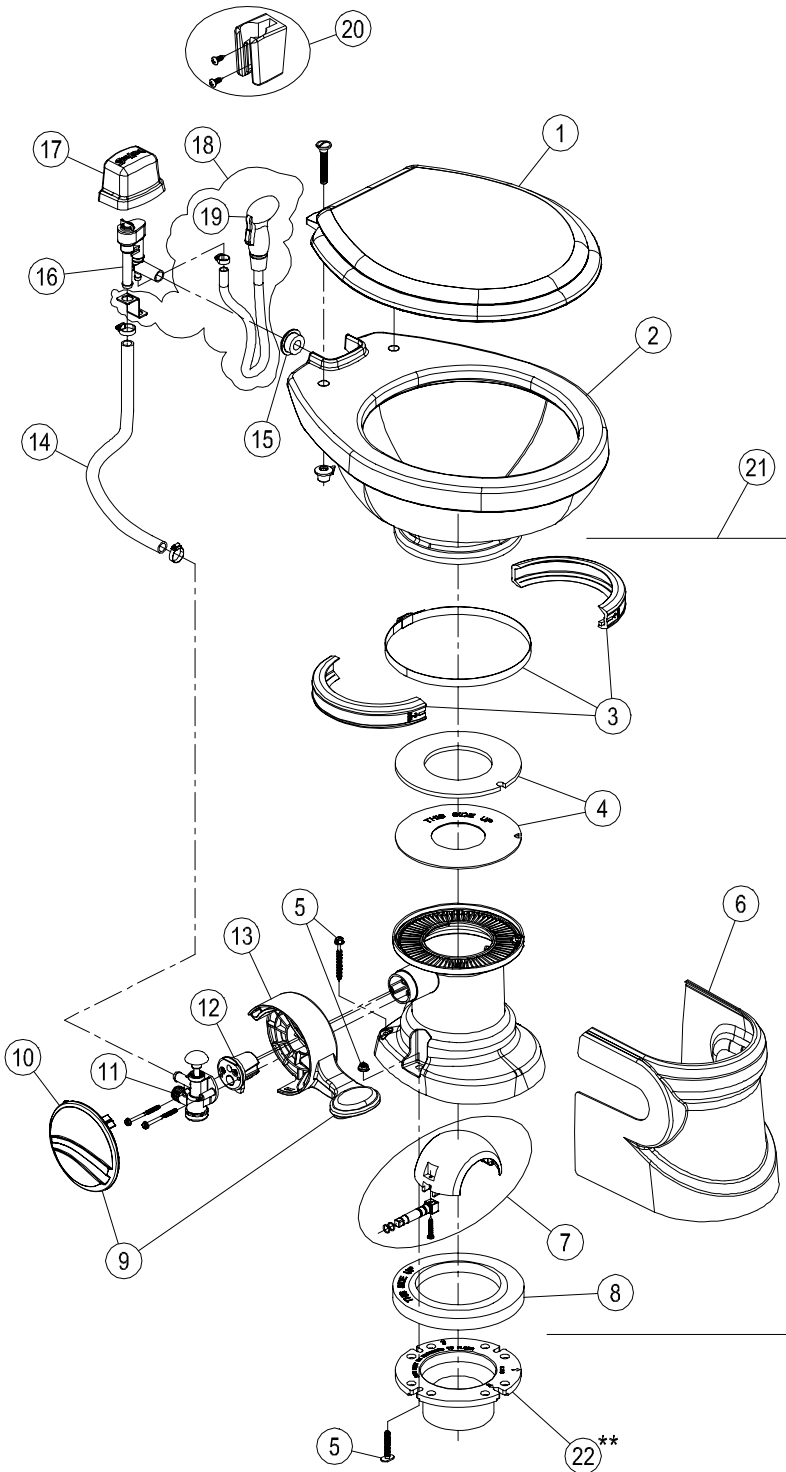


ITEM	PART NO.	DESCRIPTION
1	385343897	SEAT ASSEMBLY, PLATINUM
2	385310973	CHINA BOWL KIT, PLATINUM
3	385310025	BAND AND HALF CLAMP, KIT - WHITE
4	385311462	SEAL REPLACEMENT , KIT
5	385310064	MOUNTING HARDWARE
6	385310125	BASE KIT, PLATINUM (inc items 3-11)
7	385318162	KIT,BALL,SHAFT & CART, WHITE (inc. item 10)
8	385310119	PEDAL COVER, PLATINUM
9	385314349	WATER VALVE, KIT
10	385236096	SPRING CARTRIDGE, KIT
11	385310579	PEDAL / CARTRIDGE KIT
12	385345377	HOSE, SUPPLY - WHITE.
13	385316906	VACUUM BREAKER, KIT
14	385310974	VACUUM BREAKER COVER, KIT
15	385310110	PEDESTAL COVER PLATINUM
16	385310063	FLOOR FLANGE, KIT
17	385345889	FLOOR FLANGE, 3" MPT
	385345892	FLOOR FLANGE, 3" SOCKET
	385343765	FLOOR FLANGE, 3" SPIGOT
	385310961	FLOOR FLANGE ADAPTER, 45° SWIVEL

\*ITEM 17 SOLD SEPARATELY



# PARTS LIST: 210 MODEL

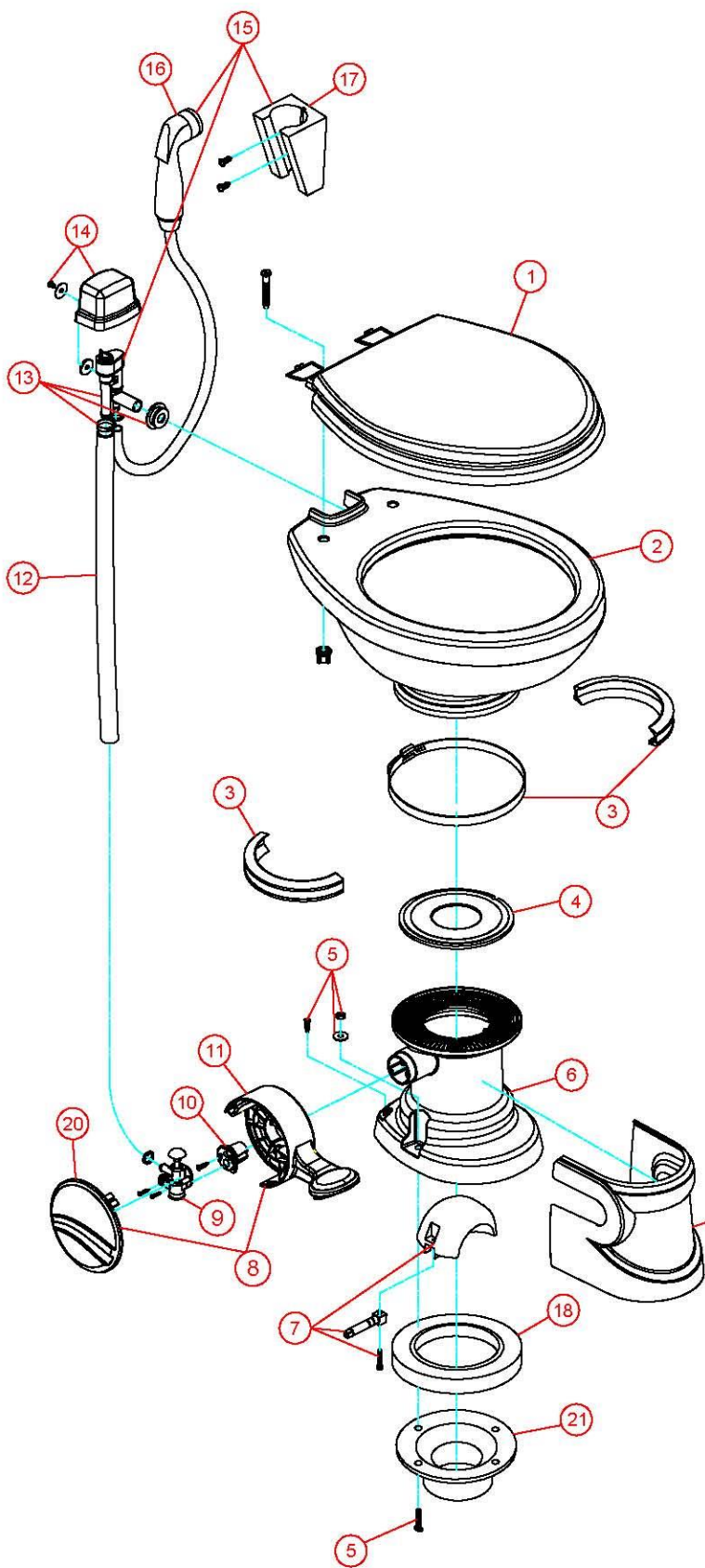


ITEM	PART NUMBER & DESCRIPTION	
1	385344088	SEAT/COVER - WHITE
	385344089	SEAT/COVER - BONE
2	385310790	CHINA BOWL KIT - WHITE
	385310791	CHINA BOWL KIT - BONE
3	385310048	BOWL/BASE CLAMP KIT - BONE
4	385311462	FLUSH BALL SEAL REPL KIT
5	385311117	MOUNTING HARDWARE
6	385311126	BASE SHROUD - WHITE
	385311127	BASE SHROUD - BONE
7	385310681	FLUSH BALL, SHAFT, CARTRIDGE KIT **INCLUDES ITEM 12.
8	385311267	FLOOR FLANGE SEAL
9	385311119	PEDAL & COVER - WHITE
	385311120	PEDAL & COVER - BONE
10	385311179	PEDAL COVER - WHITE
	385311180	PEDAL COVER - BONE
11	385314349	WATER VALVE KIT
12	385310683	SPRING CARTRIDGE KIT
13	385311121	PEDAL/CARTRIDGE KIT - WHITE
	385311122	PEDAL/CARTRIDGE KIT - BONE **INCLUDES ITEM 10 & 12.
14	385340177	BOWL WATER SUPPLY HOSE - WHITE
	385345377	BOWL WATER SUPPLY HOSE - BONE
15	385311164	1/2" SEALING GROMMET
16	385230335	VACUUM BREAKER KIT w/HAND SPRAY
	385316906	VACUUM BREAKER KIT **INCLUDES ITEM 15.
17	385310795	VACUUM BREAKER COVER - WHITE
	385310796	VACUUM BREAKER COVER - BONE
18*	385319054	HAND SPRAY KIT w/VAC BREAKER - WHT **INCLUDES ITEM 15, 16, 19.
19*	385311124	HAND SPRAYER - WHITE **INCLUDES ITEM 20.
20*	385230319	HAND SPRAY BRACKET w/SCREW-WHT
21	385311128	210 BASE KIT - WHITE
	385311129	210 BASE KIT - BONE **INCLUDES ITEM 3-13.
22**	385345889	3" MPT FLOOR FLANGE
	385345892	3" SOCKET FLOOR FLANGE
	385343765	3" SPIGOT FLOOR FLANGE
	385310961	45° SWIVEL FLOOR FLANGE* *MUST BE USED WITH SEAL INCLUDED IN KIT.

\* ITEMS 18, 19, & 20 ARE OPTIONAL ACCESSORIES;  
NOT PROVIDED WITH EVERY MODEL.

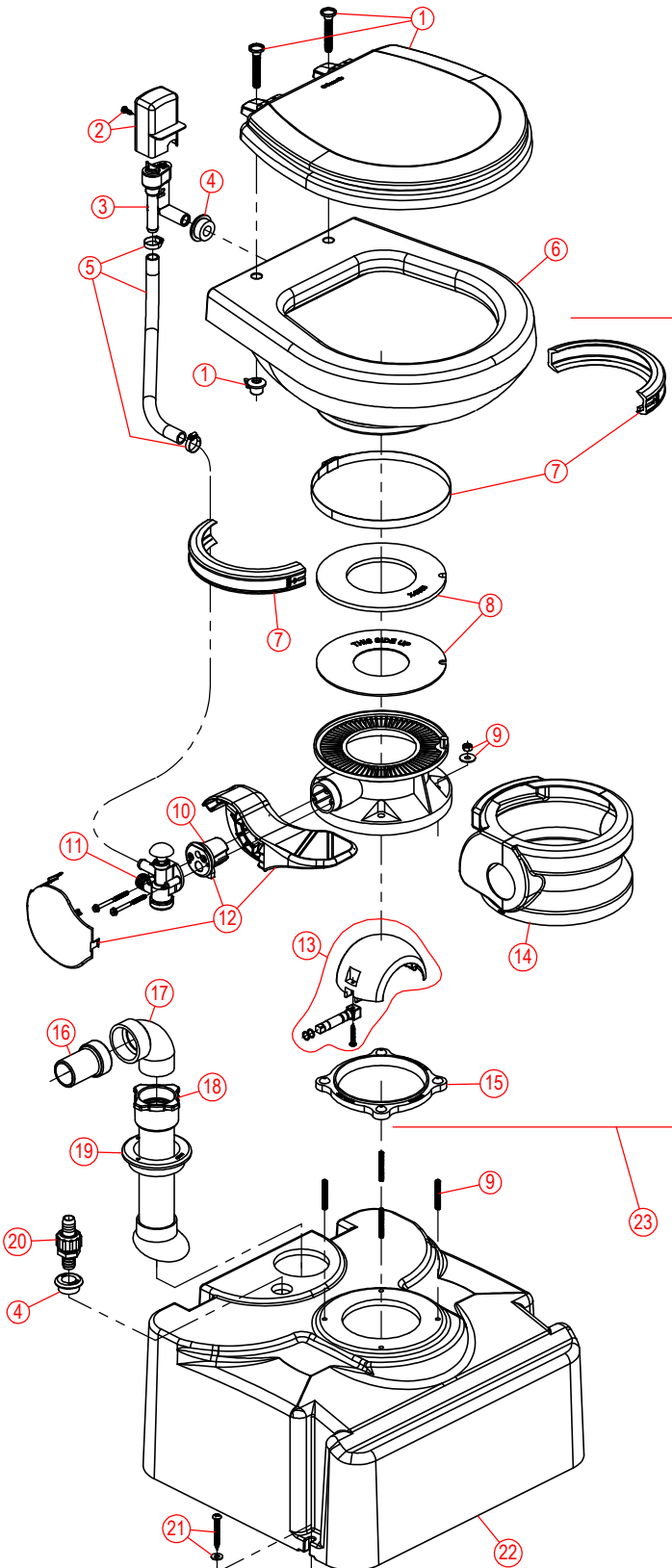
\*\* ITEM 22 IS SOLD SEPARATELY; NOT INCLUDED WITH THE TOILET.

# PARTS LIST: 210 TRAVELER LITE (wood seat)



ITEM	PART NO.	DESCRIPTION
1	385343829	KIT, SEAT-CV'R 500+ - WHITE
	385343831	KIT, SEAT-CV'R 500+ - BONE
2	385310790	KIT,BOWL TRAVELER LITE/WHITE
	385310791	KIT,BOWL TRAVELER LITE/BONE
3	385310048	KIT, HALF CLAMP-BONE
	385310025	KIT, HALF CLAMP-WHITE
4	385310677	SEAL REPLACEMENT , KIT
5	385311117	KIT, MOUNTING HARDWARE-210
<b>BASE KIT INCLUDES THE FOLLOWING ITEMS 3-11 &amp; 18,20</b>		
6	385311128	BASE KIT, WHITE (210 model)
	385311129	BASE KIT, BONE (210 model)
7	385310681	KIT,BALL,SHAFT & CART, WHITE (inc. item 10)
8	385311119	KIT, PR PEDAL & COVER-WHT
	385311120	KIT, PR PEDAL & COVER-BONE
9	385314349	KIT, WATER VALVE
10	385310683	KIT, SPRING CARTRIDGE-ECOVAC
11	385311121	KIT, PR PEDAL & CART-WHT (inc. item 10 & 20)
	385311122	KIT, PR PEDAL & CART-BONE(inc. item 10 & 20)
12	385340177	KIT, SUPPLY HOSE-BONE
	385345377	KIT, SUPPLY HOSE-WHITE
13	385316906	VACUUM BREAKER, KIT - WITHOUT SPRAY
	385230335	VACUUM BREAKER, KIT - WITH SPRAY
14	385310795	VACUUM BREAKER COVER, KIT - WHITE
	385310796	VACUUM BREAKER COVER, KIT - BONE
15	385319054	VACUUM BREAKER KIT (inc. items 13,16,17)
16	385311124	KIT, HAND SPRAY-WHITE
17	385230319	KIT, BRACKET-HAND SPRAY(screws inc.)
18	385311267	KIT, FLOOR FLANGE SEAL-5059
19	385311126	KIT, BASE SHROUD-WHITE ( 210 ONLY)
	385311127	KIT, BASE SHROUD-BONE ( 210 ONLY)
20	385311179	KIT, PEDAL CV'R REPL 210 WHT
	385311180	KIT, PEDAL CV'R REPL 210 BONE
<b>ITEM 21 SOLD SEPARATELY</b>		
21	385345889	FLOOR FLANGE, 3" MPT
	385345892	FLOOR FLANGE, 3" SOCKET
	385343765	FLOOR FLANGE, 3" SPIGOT
	385310961	FLOOR FLANGE ADAPTER, 45° SWIVEL *must be used with seal included in kit.

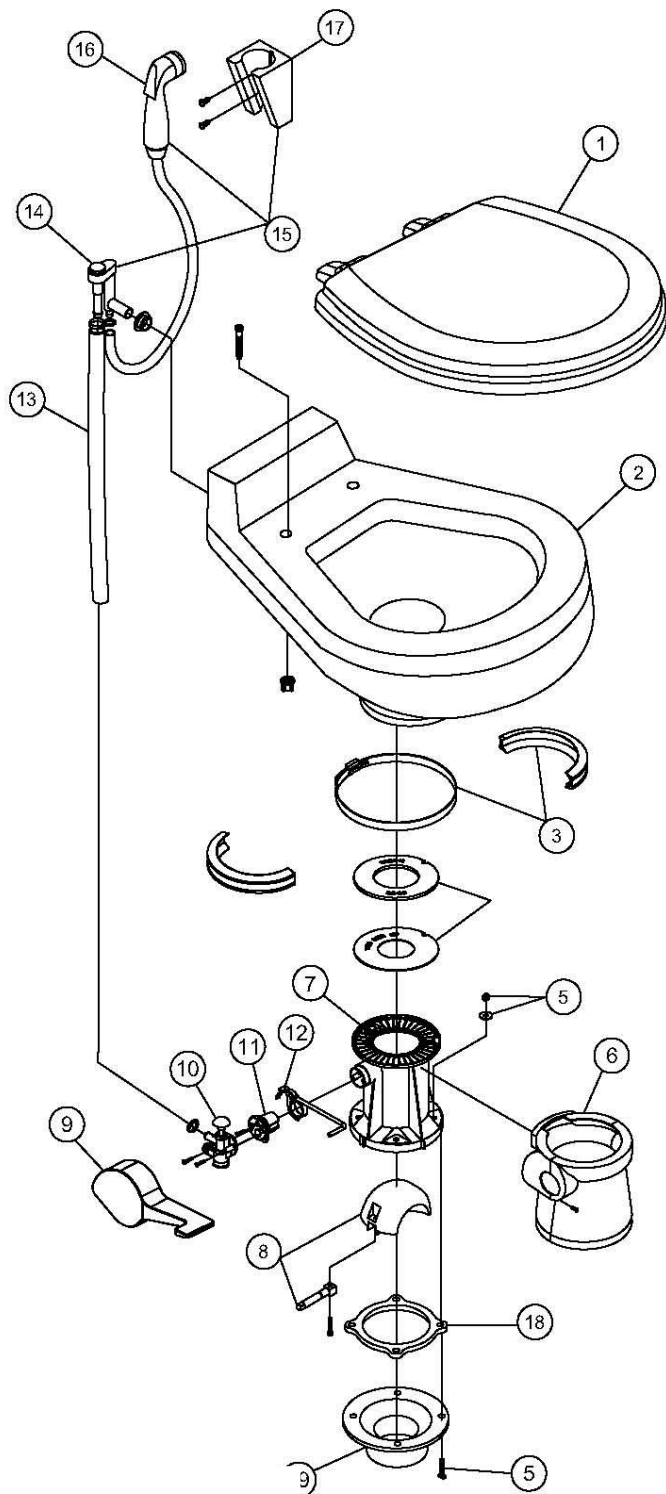
## PARTS LIST: 711-M28 MODEL



ITEM	PART NUMBER & DESCRIPTION
1	385344436 - SEAT/COVER - WHITE 385344437 - SEAT/COVER - BONE **Includes Mounting Hardware.
2	385310696 - VACUUM BREAKER COVER - WHITE 385310782 - VACUUM BREAKER COVER - BONE **Includes Mounting Hardware.
3	385316906 - VACUUM BREAKER KIT **Includes Item #4.
4	385311164 - 1/2" SEALING GROMMET
5	385345377 - BOWL WATER SUPPLY HOSE **Includes Hose Clamps.
6	385310676 - BOWL KIT - WHITE 385310781 - BOWL KIT - BONE
7	385310025 - BOWL/BASE CLAMP KIT - WHITE 385310048 - BOWL/BASE CLAMP KIT - BONE
8	385311462 - FLUSH BALL SEAL REPLACEMENT KIT
9	385310534 - MOUNTING HARDWARE KIT - M28
10	385310683 - SPRING CARTRIDGE KIT
11	385314349 - WATER VALVE KIT **Includes Mounting Screws.
12	385310682 - FLUSH PEDAL KIT - WHITE 385310762 - FLUSH PEDAL KIT - BONE **Includes Item 10.
13	385310681 - FLUSH BALL, SHAFT & CARTRIDGE KIT **Includes Item 10.
14	385310108 - PEDESTAL COVER KIT - WHITE 385310109 - PEDESTAL COVER KIT - BONE
15	385310063 - FLOOR / BASE SEAL
16	385341513 - 1-1/2" HOSE ADAPTER FITTING
17	385311886 - 1-1/2" QUARTER-BEND STREET ELBOW
18	385310532 - M28 TANK DISCHARGE DIPTUBE KIT **Includes Item 19.
19	385311110 - 2" SEALING GROMMET
20	385314362 - M28 TANK VENT FITTING ASSY **Includes Item 4.
21	385310533 - M28 TANK MOUNTING HARDWARE
22	385311287 - M28 TANK ASSEMBLY - WHITE 385310085 - M28 TANK ASSEMBLY - BONE **Includes Items 4; 15-21.
23	385311286 - 711 BASE KIT - WHITE 385310891 - 711 BASE KIT - BONE **Includes Items 7-15.

Dometic Corporation - Sanitation Systems  
13128 State Rt. 226, P.O. Box 38  
Big Prairie, OH 44611-0038 USA  
Telephone: 330-439-5550  
Fax: 330-496-3097  
Email: sealand@dometicusa.com

# PARTS LIST: 2010

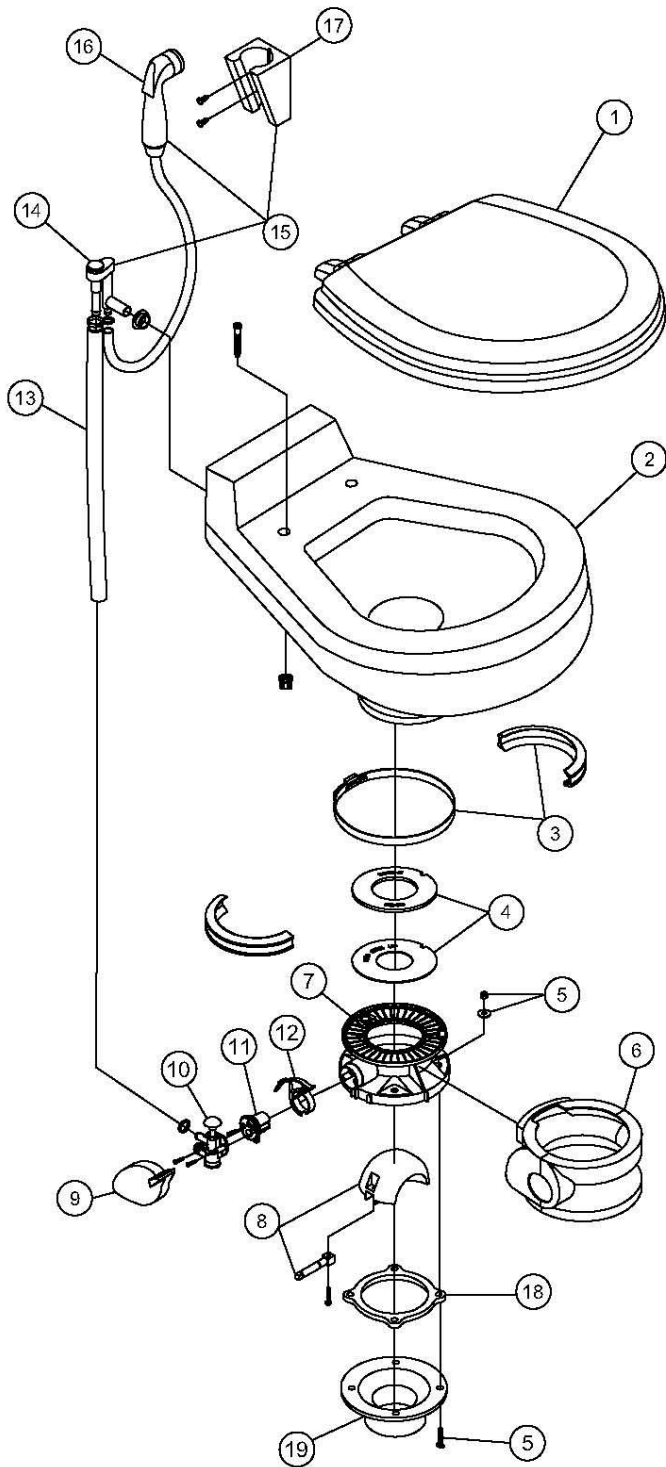


ITEM	PART NO.	DESCRIPTION
1	385344436	SEAT ASSEMBLY, WHITE
	385344437	SEAT ASSEMBLY, BONE
	385344438	SEAT ASSEMBLY, EBONY
2	385310615	CHINA BOWL KIT, WHITE
	385310616	CHINA BOWL KIT, BONE
	385310585	CHINA BOWL KIT, EBONY
3	385310048	BAND & HALF CLAMP KIT BONE
	385310025	BAND & HALF CLAMP KIT WHITE
4	385311462	SEAL REPLACEMENT KIT
5	385310064	MOUNTING HARDWARE
6	385310111	PEDESTAL COVER KIT - WHITE
	385310112	PEDESTAL COVER KIT - BONE
	385310173	PEDESTAL COVER KIT - EBONY
7	385310120	BASE KIT - WHITE (inc items 3-12)
	385310121	BASE KIT - BONE (inc items 3-12)
	385310169	BASE KIT - EBONY (inc items 3-12)
8	385318162	KIT,BALL,SHAFT & CART- WHITE(inc. item 11)
	385310177	KIT,BALL,SHAFT & CART- EBONY(inc. item 11)
9	385310114	PEDAL COVER - WHITE
	385310115	PEDAL COVER - BONE
	385310175	PEDAL COVER - EBONY
10	385314349	WATER VALVE - KIT
11	385236096	SPRING CARTRIDGE - KIT
12	385310578	PEDAL, CARTRIDGE, KIT (inc. item 11)
13	385340177	HOSE, SUPPLY - BONE & EBONY.
	385345377	HOSE, SUPPLY - WHITE
14	385316906	VACUUM BREAKER, KIT - USED WITHOUT SPRAY
	385230335	VACUUM BREAKER, KIT - USED WITH SPRAY
15	385319056	VACUUM BREAKER, COMPLETE - CHROME
	385319057	VACUUM BREAKER, COMPLETE - EBONY
16	385310873	HAND SPRAY - EBONY.
	385310809	HAND SPRAY - CHROME
17	385311131	BRACKET,HAND SPRAY-CHROME
	385311125	BRACKET,HAND SPRAY-EBONY
19	385310063	FLOOR FLANGE, (inc item 5)
	385345889	FLOOR FLANGE, 3" MPT
	385345892	FLOOR FLANGE, 3" SOCKET
	385343765	FLOOR FLANGE, 3" SPIGOT
	385310961	FLOOR FLANGE ADAPTER, 45° SWIVEL (MUST BE USED WITH SEAL INC.)

(ITEM 19 SOLD SEPARATELY)

Dometic Corporation - Sanitation Systems  
13128 State Rt. 226, P.O. Box 38  
Big Prairie, OH 44611-0038 USA  
Telephone: 330-496-3211  
Fax: 330-496-3097  
Email: sealand@dometicusa.com

# PARTS LIST: 2011



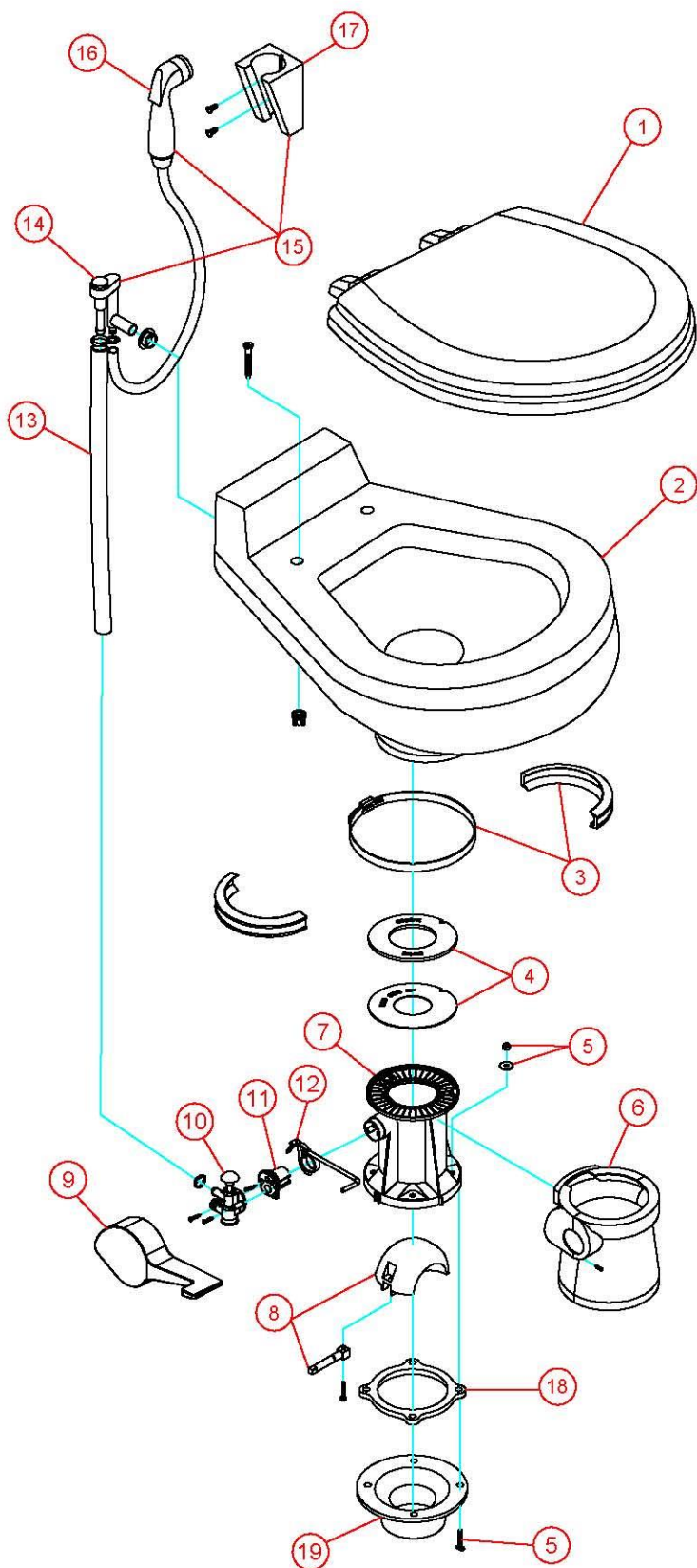
ITEM	PART NO.	DESCRIPTION
1	385344436	SEAT ASSEMBLY, WHITE
	385344437	SEAT ASSEMBLY, BONE
	385344438	SEAT ASSEMBLY, EBONY
2	385310615	CHINA BOWL KIT, WHITE
	385310616	CHINA BOWL KIT, BONE
	385310585	CHINA BOWL KIT, EBONY
3	385310048	BAND AND HALF CLAMP, KIT BONE
	385310025	BAND AND HALF CLAMP, KIT WHITE
4	385311462	SEAL REPLACEMENT, KIT
5	385310064	MOUNTING HARDWARE
6	385310108	PEDESTAL COVER KIT, WHITE
	385310109	PEDESTAL COVER KIT, BONE
	385310600	PEDESTAL COVER KIT, EBONY
7	385310123	BASE KIT, WHITE (inc items 3-12)
	385310124	BASE KIT, BONE (inc items 3-12)
	385310588	BASE KIT, EBONY (inc items 3-12)
8	385318162	KIT,BALL,SHAFT & CART, WHITE(inc. item 11)
	385310177	KIT,BALL,SHAFT & CART, EBONY(inc. item 11)
9	385310117	PEDAL COVER, WHITE
	385310118	PEDAL COVER, BONE
	385310593	PEDAL COVER, EBONY
10	385314349	WATER VALVE, KIT
11	385236096	SPRING CARTRIDGE, KIT
12	385310579	PEDAL, CARTRIDGE, KIT (inc. item 11)
13	385340177	HOSE, SUPPLY - BONE & EBONY.
	385345377	HOSE, SUPPLY - WHITE
14	385316906	VACUUM BREAKER, KIT - WITHOUT SPRAY
	385230335	VACUUM BREAKER, KIT - WITH SPRAY
15	385319056	VACUUM BREAKER, SPRAY & BRACKET, KIT
16	385310809	HAND SPRAY, CHROME
	385310873	HAND SPRAY, EBONY.
17	385311131	BRACKET,HAND SPRAY-CHROME
	385311125	BRACKET,HAND SPRAY-EBONY
18	385310063	FLOOR FLANGE, KIT (inc item 5)
19	385345889	FLOOR FLANGE, 3" MPT
	385345892	FLOOR FLANGE, 3" SOCKET
	385343765	FLOOR FLANGE, 3" SPIGOT
	385310961	FLOOR FLANGE ADAPTER, 45° SWIVEL <small>*MUST BE USED WITH SEAL PROVIDED.</small>

(ITEM 19 SOLD SEPARATELY)

Dometic Corporation - Sanitation Systems  
13128 State Rt. 226, P.O. Box 38  
Big Prairie, OH 44611-0038 USA  
Telephone: 330-496-3211  
Fax: 330-496-3097  
Email: sealand@dometicus.com



# PARTS LIST: 910

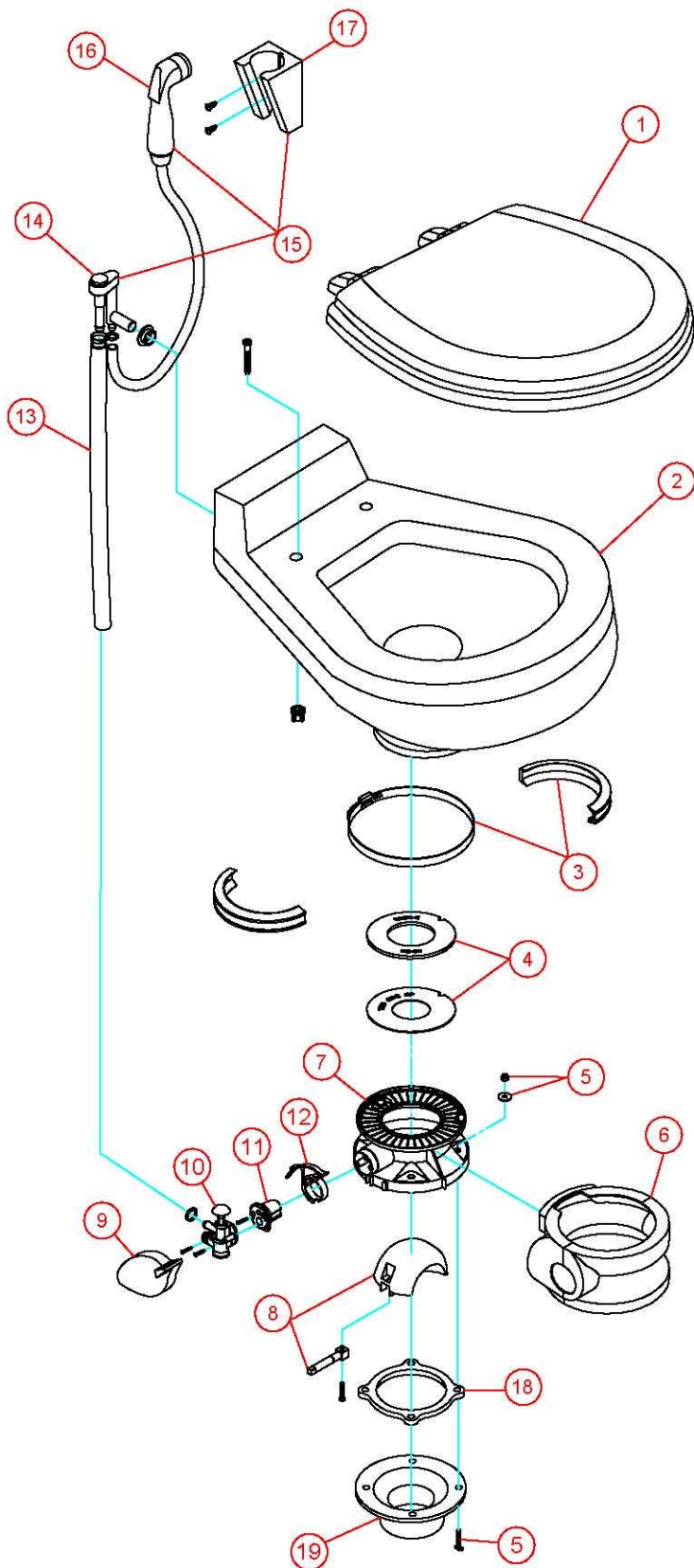


ITEM	PART NO.	DESCRIPTION
1	385344436	SEAT ASSEMBLY, WHITE
	385344437	SEAT ASSEMBLY, BONE
2	385310032	CHINA BOWL KIT, WHITE
	385310033	CHINA BOWL KIT, BONE
3	385310048	BAND & HALF CLAMP KIT - BONE
	385310025	BAND & HALF CLAMP KIT - WHITE
4	385311462	SEAL REPLACEMENT KIT
5	385310064	MOUNTING HARDWARE
6	385310111	PEDESTAL COVER KIT - WHITE
	385310112	PEDESTAL COVER KIT - BONE
7	385310120	BASE KIT - WHITE (inc items 3-12)
	385310121	BASE KIT - BONE (inc items 3-12)
8	385318162	KIT,BALL,SHAFT & CART- WHITE(inc. item 11)
9	385310114	PEDAL COVER - WHITE
	385310115	PEDAL COVER - BONE
10	385314349	WATER VALVE - KIT
11	385236096	SPRING CARTRIDGE - KIT
12	385310578	PEDAL, CARTRIDGE, KIT (inc. item 11)
13	385340177	HOSE, SUPPLY - BONE
	385345377	HOSE, SUPPLY - WHITE
14	385316906	VACUUM BREAKER, KIT - USED WITHOUT SPRAY
	385230335	VACUUM BREAKER, KIT - USED WITH SPRAY
15	385319056	VACUUM BREAKER, SPRAY & BRACKET, KIT
16	385310809	HAND SPRAY - WHITE & BONE.
17	385311131	BRACKET,HAND SPRAY-WHITE & BONE.
18	385310063	FLOOR FLANGE, (inc item 5)
	385345889	FLOOR FLANGE, 3" MPT
	385345892	FLOOR FLANGE, 3" SOCKET
19	385343765	FLOOR FLANGE, 3" SPIGOT
	385344653	FLOOR FLANGE ADAPTER, 45° SWIVEL *MUST BE USED WITH SEAL PROVIDED.

(ITEM 19 SOLD SEPARATELY)



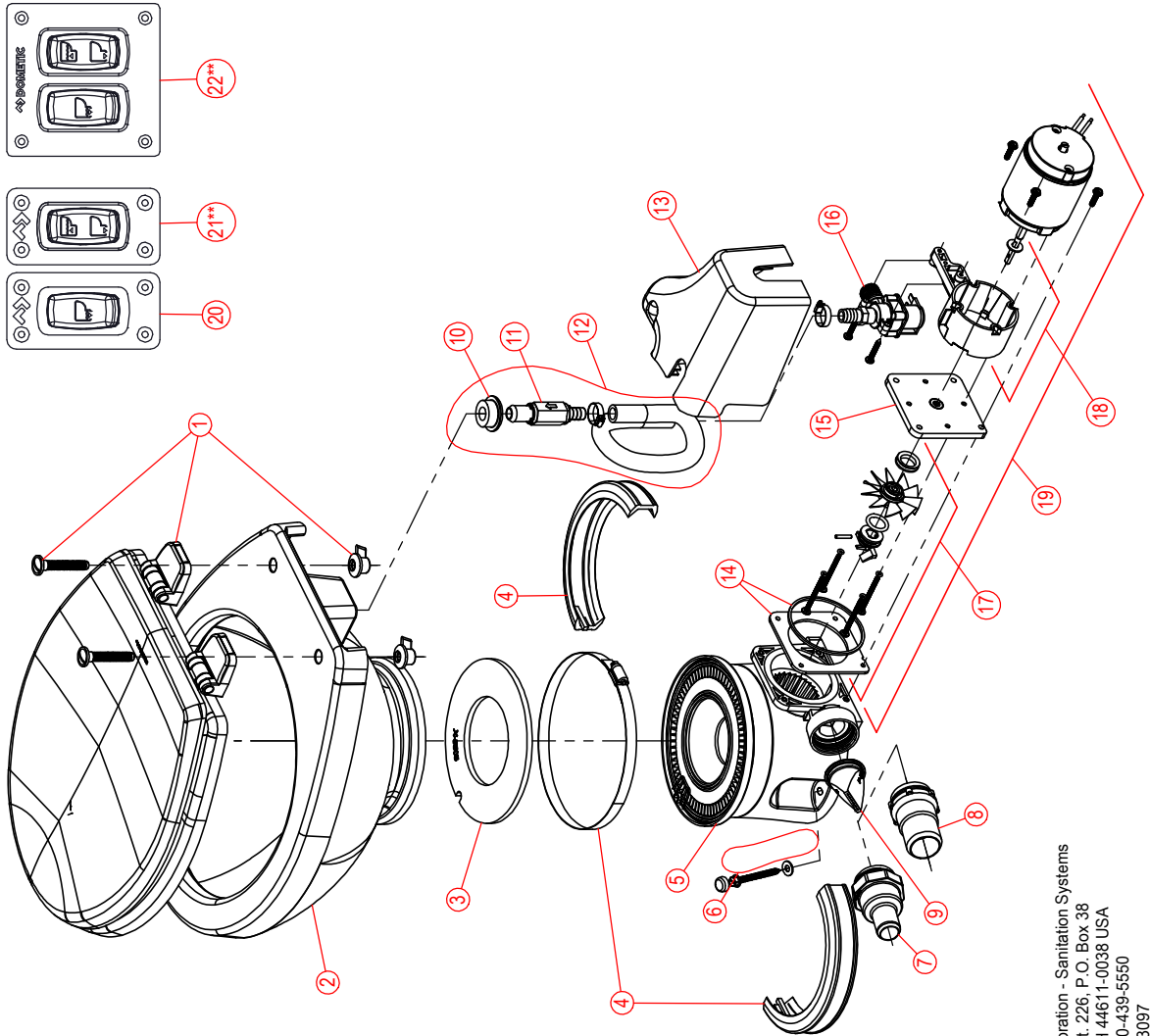
# PARTS LIST: 911



ITEM	PART NO.	DESCRIPTION
1	385344436	SEAT ASSEMBLY, WHITE
	385344437	SEAT ASSEMBLY, BONE
2	385310032	CHINA BOWL KIT, WHITE
	385310033	CHINA BOWL KIT, BONE
3	385310048	BAND & HALF CLAMP KIT - BONE
	385310025	BAND & HALF CLAMP KIT - WHITE
4	385311462	SEAL REPLACEMENT KIT
5	385310064	MOUNTING HARDWARE
6	385310108	PEDESTAL COVER KIT - WHITE
	385310109	PEDESTAL COVER KIT - BONE
7	385310123	BASE KIT - WHITE (inc items 3-12)
	385310124	BASE KIT - BONE (inc items 3-12)
8	385318162	KIT,BALL,SHAFT & CART-(inc. item 11)
9	385310117	PEDAL COVER - WHITE
	385310118	PEDAL COVER - BONE
10	385314349	WATER VALVE - KIT
11	385236096	SPRING CARTRIDGE - KIT
12	385310579	PEDAL, CARTRIDGE, KIT (inc. item 11)
13	385340177	HOSE, SUPPLY - BONE
	385345377	HOSE, SUPPLY - WHITE
14	385316906	VACUUM BREAKER, KIT - USED WITHOUT SPRAY
	385230335	VACUUM BREAKER, KIT - USED WITH SPRAY
15	385319056	VACUUM BREAKER, SPRAY & BRACKET, KIT
16	385310809	HAND SPRAY - WHITE & BONE.
17	385311131	BRACKET,HAND SPRAY-WHITE & BONE.
19	385310063	FLOOR FLANGE, (inc item 5)
	385345889	FLOOR FLANGE, 3" MPT
	385345892	FLOOR FLANGE, 3" SOCKET
	385343765	FLOOR FLANGE, 3" SPIGOT
	385344653	FLOOR FLANGE ADAPTER, 45° SWIVEL *MUST BE USED WITH SEAL PROVIDED.

(ITEM 19 SOLD SEPARATELY)

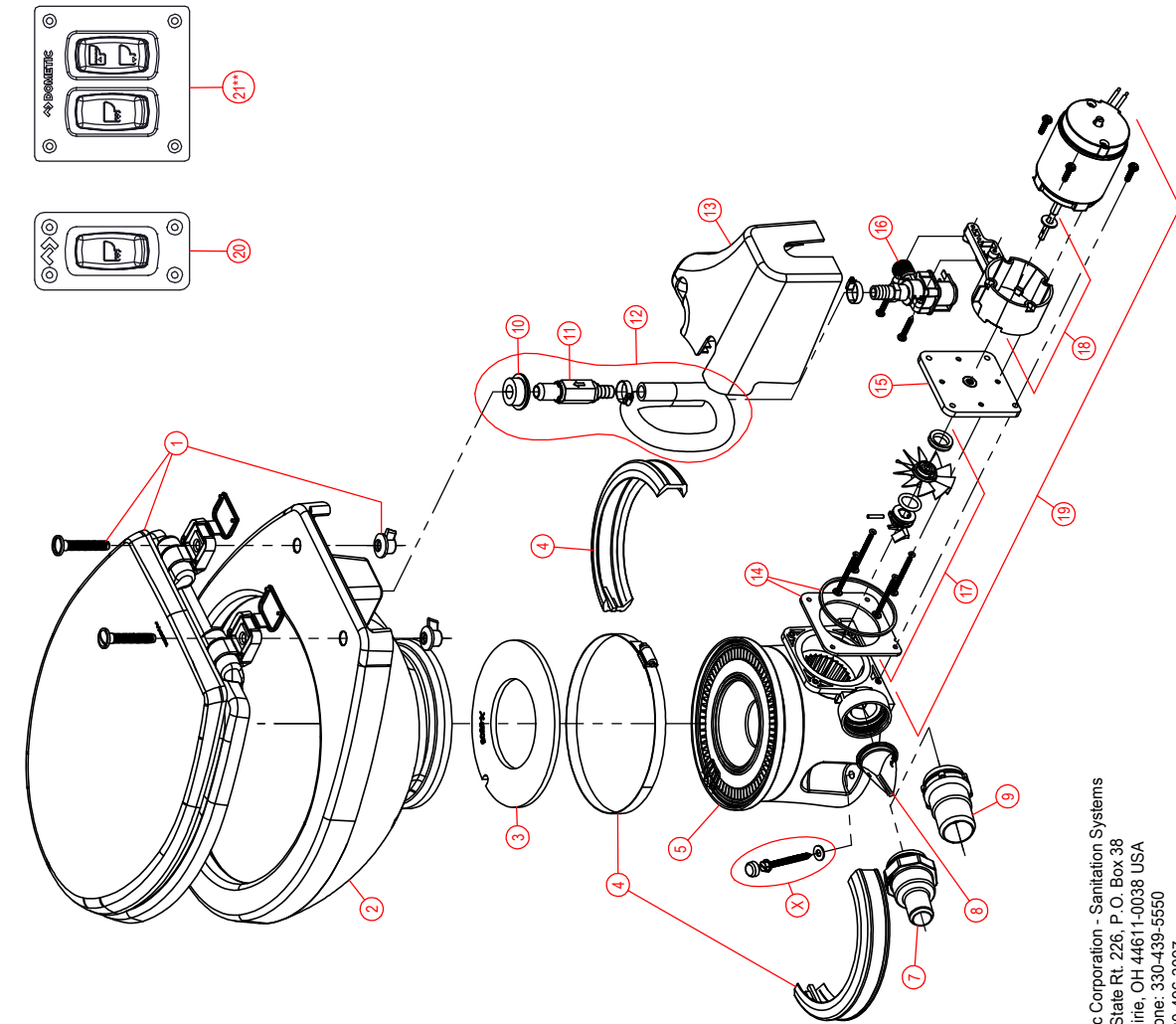
# PARTS LIST: ORBIT 7120 STANDARD VERSION



ITEM	PART NUMBER & DESCRIPTION
1	385343829 - SEAT/COVER - WHITE 385343831 - SEAT/COVER - BONE **Includes Mounting Hardware.
2	385311079 - BOWL KIT - WHITE 385311080 - BOWL KIT - BONE
3	385311979 - BOWL SEAL
4	385310025 - BOWL/BASE CLAMP KIT - WHITE 385310048 - BOWL/BASE CLAMP KIT - BONE
5	385311980 - BASE KIT - WHITE 385311981 - BASE KIT - BONE
6	385310679 - MOUNTING HARDWARE
7	385880072 - 1" VALVE ADAPTER
8	385311315 - 1-1/2" VALVE ADAPTER
9	385311620 - 1-1/2" CHECK VALVE
10	385311164 - 1/2" SEALING GROMMET
11	385311456 - BARBED CHECK VALVE REPLACEMENT **Includes Item 10.
12	385311984 - BOWL SUPPLY HOSE KIT - FRESH WATER **Includes Items 10; 11 & Clamps.
13	385311985 - 7000 SERIES PUMP/MOTOR COVER - WHITE 385311986 - 7000 SERIES PUMP/MOTOR COVER - BONE
14	385312033 - FLANGE GASKET REPLACEMENT KIT
15	385311987 - MOTOR MOUNTING PLATE **Includes all Pump Seals & Mounting Hardware.
16	385311851 - WATER VALVE KIT - 12vdc 385311852 - WATER VALVE KIT - 24vdc **Includes Mounting Screws & Clamps.
17	385311988 - MACERATOR BLADE REBUILD KIT **Includes Mounting Hardware.
18	385311992 - WATER VALVE MOUNTING SPACER KIT **Includes all Pump Seals.
19	385311995 - PUMP/MOTOR 12v REPLACEMENT-COMPLETE 385311996 - PUMP/MOTOR 24v REPLACEMENT-COMPLETE **Includes Items 14-17 & Clamps.
20	385311997 - DFS-1F FLUSH SWITCH PANEL **Includes Mounting Screws.
21**	385311998 - DFS-2F FLUSH SWITCH PANEL **Optional; Only Provided with 7120INT & 7220INT Models
22**	385311702 - DFST FLUSH SWITCH PANEL **Optional; not Provided with all Models.

Dometic Corporation - Sanitation Systems  
13128 State Rt. 226, P. O. Box 38  
Big Prairie, OH 44611-0038 USA  
Telephone: 330-439-5550  
Fax: 330-496-3097  
Email: [sealand@dometicususa.com](mailto:sealand@dometicususa.com)

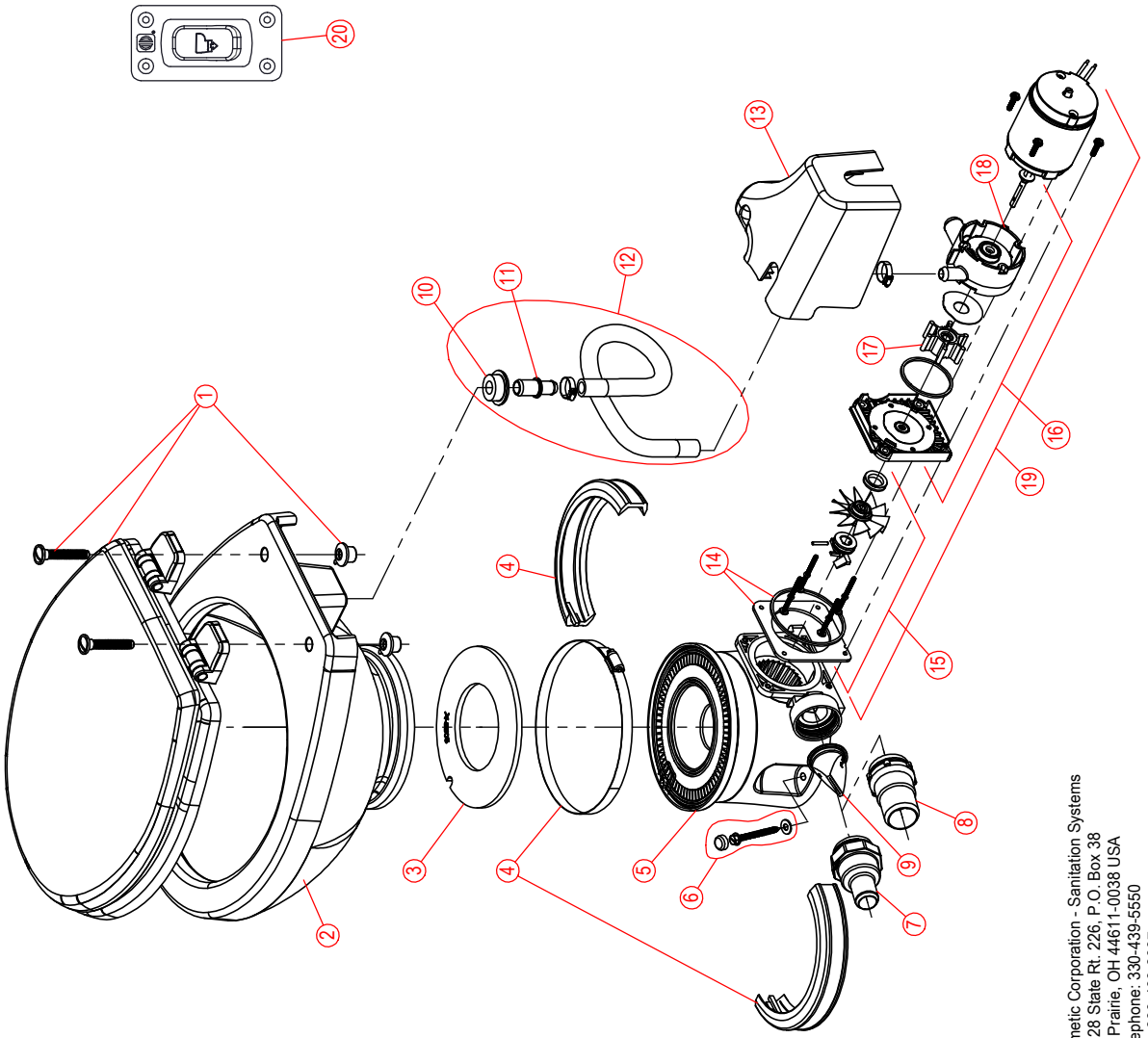
# PARTS LIST: ORBIT 7124 MODEL



ITEM	PART NUMBER & DESCRIPTION
1	385312113 - SLOW CLOSE SEAT/COVER - WHITE 385312114 - SLOW CLOSE SEAT/COVER - BONE **Includes Mounting Hardware
2	38531079 - BOWL KIT - WHITE 38531080 - BOWL KIT - BONE
3	38531979 - BOWL SEAL
4	385310025 - BOWL/BASE CLAMP KIT - WHITE 385310048 - BOWL/BASE CLAMP KIT - BONE
5	385311980 - BASE KIT - WHITE 385311981 - BASE KIT - BONE
6	385310679 - MOUNTING HARDWARE - WHITE 385310785 - MOUNTING HARDWARE - BONE
7	385880072 - 1" VALVE ADAPTER
8	385311620 - 1-1/2" CHECK VALVE
9	385311315 - 1-1/2" VALVE ADAPTER
10	385311164 - 1/2" SEALING GROMMET
11	385311456 - BARBED CHECK VALVE REPLACEMENT **Includes Item 10.
12	385311984 - BOWL SUPPLY HOSE KIT - FRESH WATER **Includes Items 10; 11 & Clamps.
13	385311985 - 7000 SERIES PUMP/MOTOR COVER - WHITE 385311986 - 7000 SERIES PUMP/MOTOR COVER - BONE
14	385312033 - FLANGE GASKET REPLACEMENT KIT
15	385311987 - MOTOR MOUNTING PLATE **Includes all Pump Seals & Mounting Hardware.
16	385311851 - WATER VALVE KIT - 12vdc 385311852 - WATER VALVE KIT - 24vdc **Includes mounting screws & clamps.
17	385311988 - MACERATOR BLADE REBUILD KIT **Includes Mounting Hardware.
18	385311992 - WATER VALVE MOUNTING SPACER KIT **Includes all Pump Seals.
19	385311995 - PUMP/MOTOR 12v REPLACEMENT-COMLETE 385311996 - PUMP/MOTOR 24v REPLACEMENT-COMLETE **Includes Items 14-17 & Clamps.
20	385311997 - DFS-1F FLUSH SWITCH PANEL **Includes Mounting Screws.
21	385311702 - DFST FLUSH SWITCH PANEL **Optional; not Provided with all Models.

Dometic Corporation - Sanitation Systems  
13128 State Rt. 226, P. O. Box 38  
Big Prairie, OH 44611-0038 USA  
Telephone: 330-439-5550  
Fax: 330-496-3097  
Email: seatland@dometicusa.com

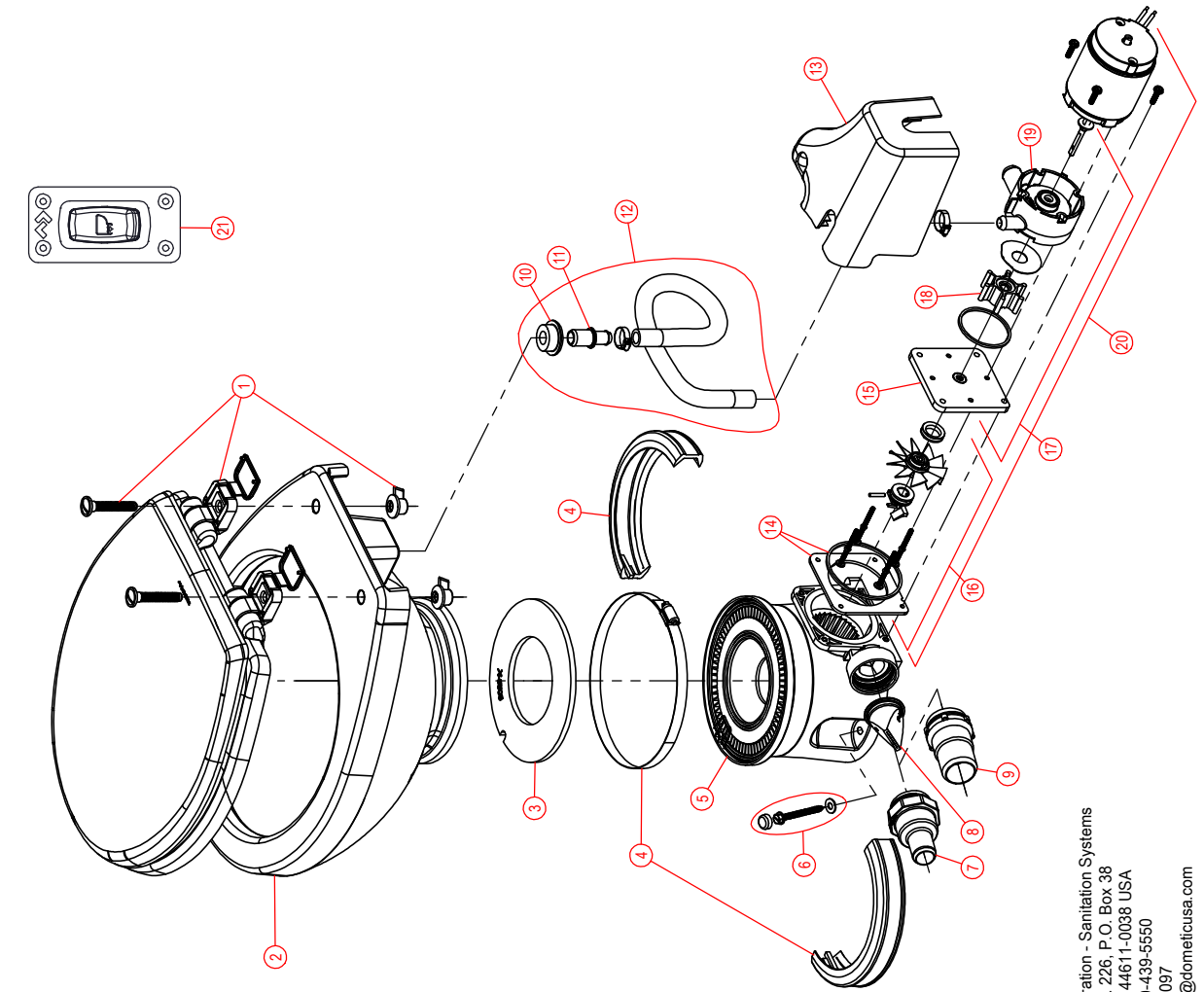
# PARTS LIST: ORBIT 7160 STANDARD VERSION



ITEM	PART NUMBER & DESCRIPTION
1	385343829 - SEAT/COVER - WHITE 385343831 - SEAT/COVER - BONE ***Includes Mounting Hardware.
2	385311079 - BOWL KIT - WHITE 385311080 - BOWL KIT - BONE
3	385311979 - BOWL SEAL
4	385310025 - BOWL/BASE CLAMP KIT - WHITE 385310048 - BOWL/BASE CLAMP KIT - BONE
5	385311980 - BASE KIT - WHITE 385311981 - BASE KIT - BONE
6	385310679 - MOUNTING HARDWARE
7	385880072 - 1" VALVE ADAPTER
8	385311315 - 1-1/2" VALVE ADAPTER
9	385311620 - 1-1/2" CHECK VALVE
10	385311164 - 1/2" SEALING GROMMET
11	385311982 - BOWL SUPPLY HOSE ADAPTER ***Includes Item 10.
12	385311983 - BOWL SUPPLY HOSE KIT - RAW WATER **Includes Items 10; 11 & Clamps.
13	385311985 - 7000 SERIES PUMP/MOTOR COVER - WHITE 385311986 - 7000 SERIES PUMP/MOTOR COVER - BONE
14	385312033 - FLANGE GASKET REPLACEMENT KIT
15	385311988 - MACERATOR BLADE REBUILD KIT **Includes all Mounting Hardware.
16	385311989 - WATER PUMP IMPELLER/SEAL REBUILD KIT **Includes all Mounting Hardware & Pump Seals.
17	385311990 - WATER PUMP IMPELLER REPLACEMENT
18	385311991 - WATER PUMP HOUSING **Includes Pump Seals.
19	385311993 - PUMP/MOTOR 12v REPLACEMENT-COMLETE 385311994 - PUMP/MOTOR 24v REPLACEMENT-COMLETE **Includes Items 14-17 & Clamps.
20	385311997 - DFS-1F FLUSH SWITCH PANEL **Includes Mounting Screws.

Dometic Corporation - Sanitation Systems  
 13128 State Rt. 226, P. O. Box 38  
 Big Prairie, OH 44611-0038 USA  
 Telephone: 330-439-5550  
 Fax: 330-496-3097  
 Email: sealand@dometicusa.com

# PARTS LIST: ORBIT 7164 MODEL



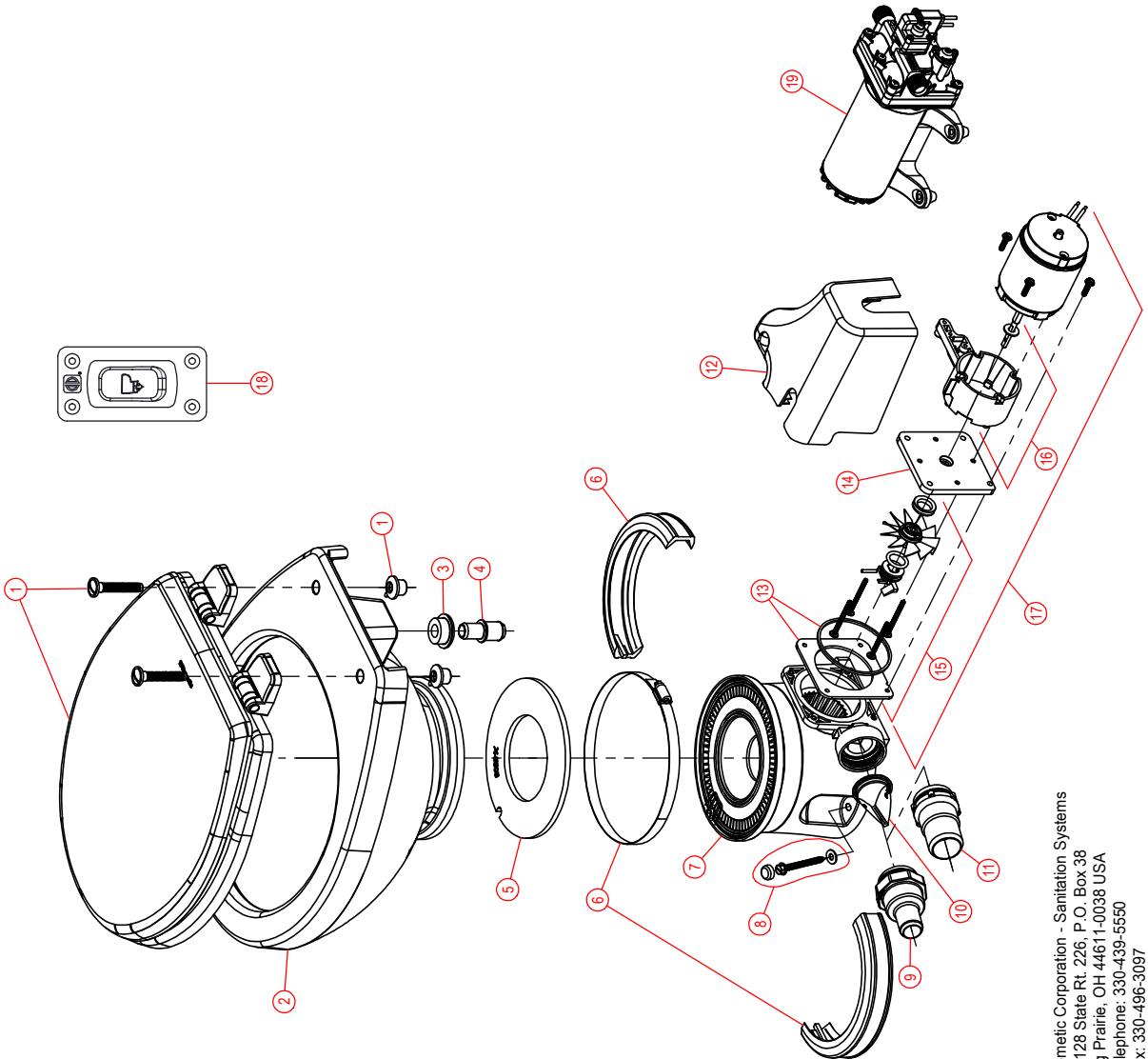
ITEM	PART NUMBER & DESCRIPTION
1	385312113 - SLOW CLOSE SEAT/COVER - WHITE 385312114 - SLOW CLOSE SEAT/COVER - BONE **Includes Mounting Hardware
2	385311079 - BOWL KIT - WHITE 385311080 - BOWL KIT - BONE
3	385311979 - BOWL SEAL
4	385310025 - BOWL/BASE CLAMP KIT - WHITE 385310048 - BOWL/BASE CLAMP KIT - BONE
5	385311980 - BASE KIT - WHITE 385311981 - BASE KIT - BONE
6	385310679 - MOUNTING HARDWARE - WHITE 385310785 - MOUNTING HARDWARE - BONE
7	385880072 - 1" VALVE ADAPTER
8	385311315 - 1-1/2" VALVE ADAPTER
9	385311620 - 1-1/2" CHECK VALVE
10	385311164 - 1/2" SEALING GROMMET
11	385311982 - BOWL SUPPLY HOSE ADAPTER **Includes Item 10.
12	385311983 - BOWL SUPPLY HOSE KIT - RAW WATER **Includes Items 10, 11 & Clamps.
13	385311985 - 7000 SERIES PUMP/MOTOR COVER - WHITE 385311986 - 7000 SERIES PUMP/MOTOR COVER - BONE
14	385312033 - FLANGE GASKET REPLACEMENT KIT
15	385311987 - MOTOR MOUNTING PLATE **Includes all Pump Seals & Mounting Hardware.
16	385311988 - MACERATOR BLADE REBUILD KIT **Includes Mounting Hardware.
17	385311989 - WATER PUMP REBUILD KIT **Includes all Mounting Hardware & Pump Seals.
18	385311990 - WATER PUMP IMPELLER REPLACEMENT **Includes all Pump Seals.
19	385311991 - WATER PUMP HOUSING **Includes Pump Seals.
20	385311993 - PUMP/MOTOR 12v REPLACEMENT-COMLETE 385311994 - PUMP/MOTOR 24v REPLACEMENT-COMLETE **Includes Items 14-17 & Clamps.
21	385311997 - DFS-1F FLUSH SWITCH PANEL **Includes Mounting Screws.

Dometic Corporation - Sanitation Systems  
13128 State Rt. 226, P.O. Box 38  
Big Prairie, OH 44611-0038 USA  
Telephone: 330-439-5550  
Fax: 330-496-3097  
E-mail: sealand@dometicus.com



# PARTS LIST: ORBIT 7165 MODEL

ITEM	PART NUMBER & DESCRIPTION
1	385343829 - SEAT/COVER - WHITE **Includes Mounting Hardware.
2	385311079 - BOWL KIT - WHITE
3	385311164 - 1/2" SEALING GROMMET
4	385312069 - 3/4" BOWL SUPPLY HOSE ADAPTER **Includes Item 3.
5	385311979 - BOWL SEAL
6	385310025 - BOWL/BASE CLAMP KIT - WHITE
7	385311980 - BASE KIT - WHITE
8	385310679 - MOUNTING HARDWARE - WHITE
9	385880072 - 1" VALVE ADAPTER
10	385311620 - 1-1/2" CHECK VALVE
11	385311315 - 1-1/2" PUMP OUTLET FITTING
12	385311985 - 7000 SERIES PUMP/MOTOR COVER - WHITE
13	385312033 - FLANGE GASKET REPLACEMENT KIT
14	385311987 - MOTOR MOUNTING PLATE **Includes all Pump Seals & Mounting Hardware.
15	385311988 - MACERATOR BLADE REBUILD KIT **Includes Mounting Hardware.
16	385311992 - WATER VALVE MOUNTING SPACER KIT **Includes all Pump Seals.
17	385312070 - PUMP/MOTOR 12V KIT-7165 COMPLETE **Includes Items 13 - 16.
18	385311997 - DFS-1F FLUSH SWITCH PANEL **Includes Mounting Screws.
19	385312071 - DOMETIC REMOTE WATER PUMP KIT - 12V **Includes Inline Strainer, & 3/4" Hose Fittings.

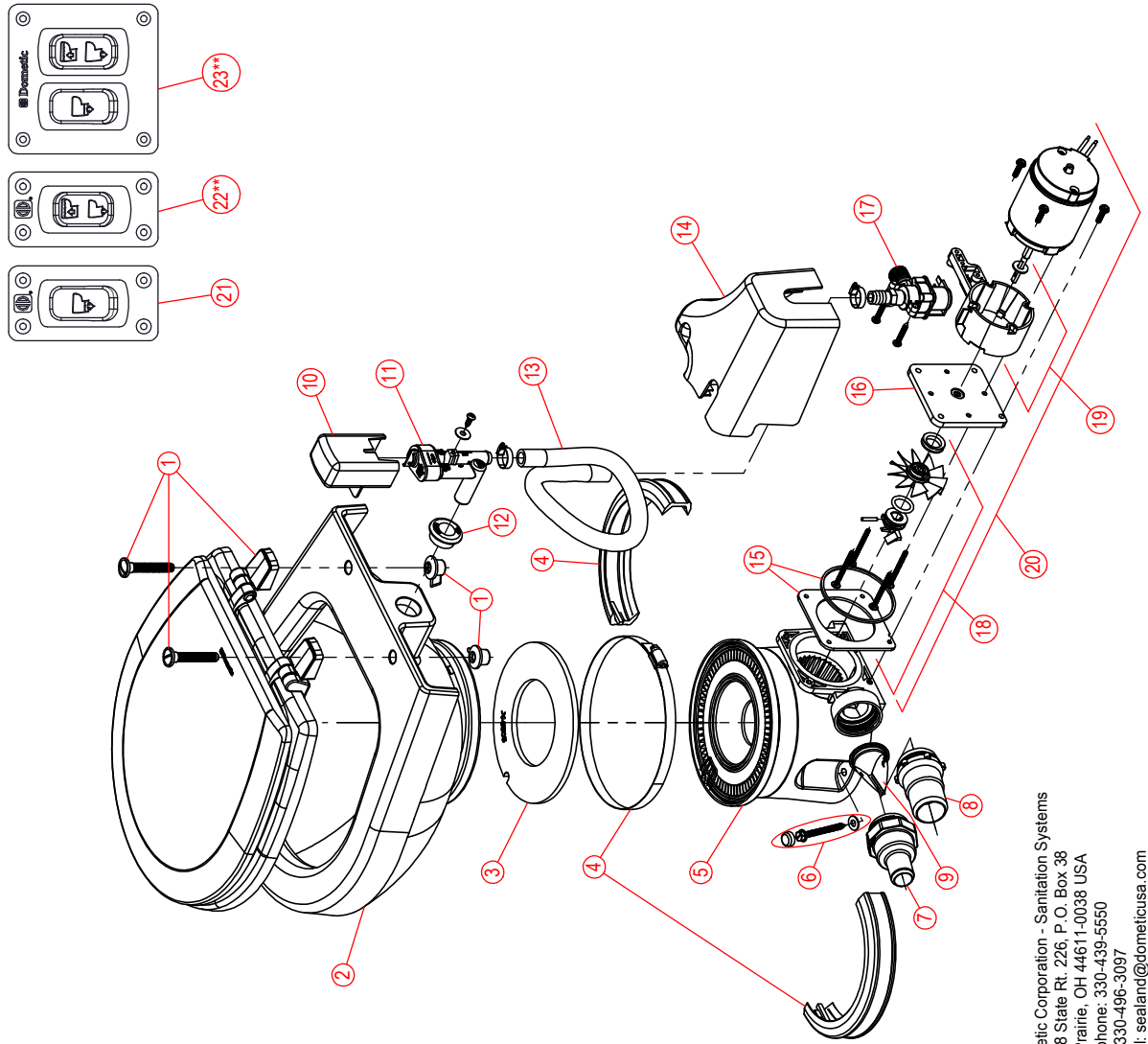


Dometic Corporation - Sanitation Systems  
13128 State Rt. 226, P.O. Box 38  
Big Prairie, OH 44611-0038 USA  
Telephone: 330-439-5550  
Fax: 330-496-3097  
Email: sealand@dometicusa.com



# PARTS LIST: ORBIT 7220 STANDARD VERSION

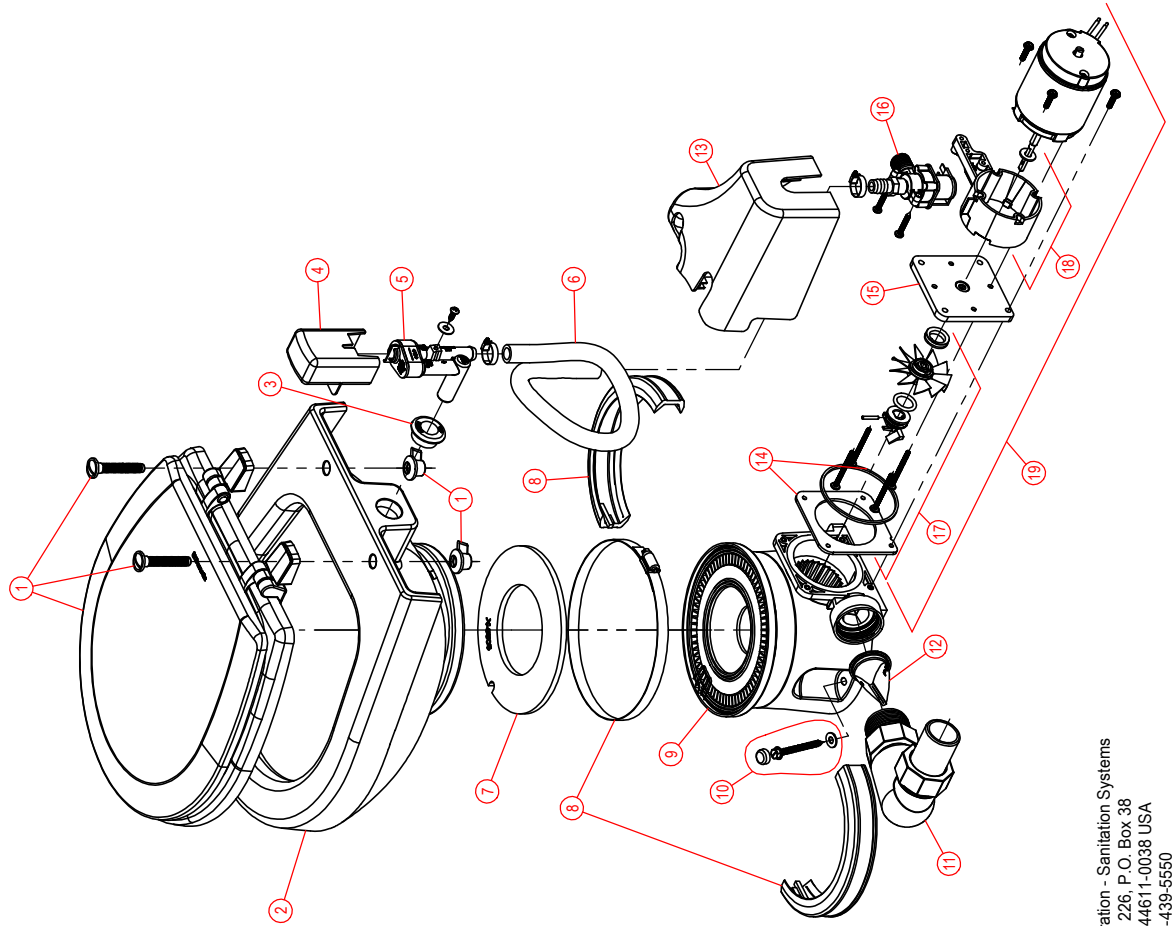
ITEM	PART NUMBER & DESCRIPTION
1	385344436 - SEAT/COVER - WHITE 385344437 - SEAT/COVER - BONE **Includes Mounting Hardware.
2	385310676 - BOWL KIT - WHITE 385310781 - BOWL KIT - BONE
3	385311979 - BOWL SEAL
4	385310025 - BOWL/BASE CLAMP KIT - WHITE 385310048 - BOWL/BASE CLAMP KIT - BONE
5	385311980 - BASE KIT - WHITE 385311981 - BASE KIT - BONE
6	385310679 - MOUNTING HARDWARE
7	385880072 - 1" VALVE ADAPTER
8	385311315 - 1-1/2" VALVE ADAPTER
9	385311620 - 1-1/2" CHECK VALVE
10	385310696 - VACUUM BREAKER COVER - WHITE 385310782 - VACUUM BREAKER COVER - BONE **Includes Mounting Hardware.
11	385310687 - VACUUM BREAKER REPLACEMENT **Includes Item 12.
12	385311164 - 1/2" SEALING GROMMET
13	385312020 - BOWL SUPPLY HOSE KIT - FRESH WATER **Includes Clamps.
14	385311985 - 7000 SERIES PUMP/MOTOR COVER - WHITE 385311986 - 7000 SERIES PUMP/MOTOR COVER - BONE
15	385312033 - FLANGE GASKET REPLACEMENT KIT
16	385311987 - MOTOR MOUNTING PLATE **Includes all Pump Seals & Mounting Hardware.
17	385311851 - WATER VALVE KIT - 12vdc 385311852 - WATER VALVE KIT - 24vdc **Includes mounting screws & clamps.
18	385311988 - MACERATOR BLADE REBUILD KIT **Includes Mounting Hardware.
19	385311992 - WATER VALVE MOUNTING SPACER KIT **Includes all Pump Seals.
20	385311995 - PUMP/MOTOR 12v REPLACEMENT-COMLETE 385311996 - PUMP/MOTOR 24v REPLACEMENT-COMLETE **Includes Items 15-18 & Clamps.
21	385311997 - DFS-1F FLUSH SWITCH PANEL **Includes Mounting Screws.
22**	385311998 - DFS-2F FLUSH SWITCH PANEL **Optional. Only Provided with 7120INT & 7220INT Models.
23**	385311702 - DFST FLUSH SWITCH PANEL **Optional. not Provided with all Models.



Dometic Corporation - Sanitation Systems  
13128 State Rt. 226, P.O. Box 38  
Big Prairie, OH 44611-0038 USA  
Telephone: 330-439-5550  
Fax: 330-496-3097  
Email: sealand@dometicusa.com

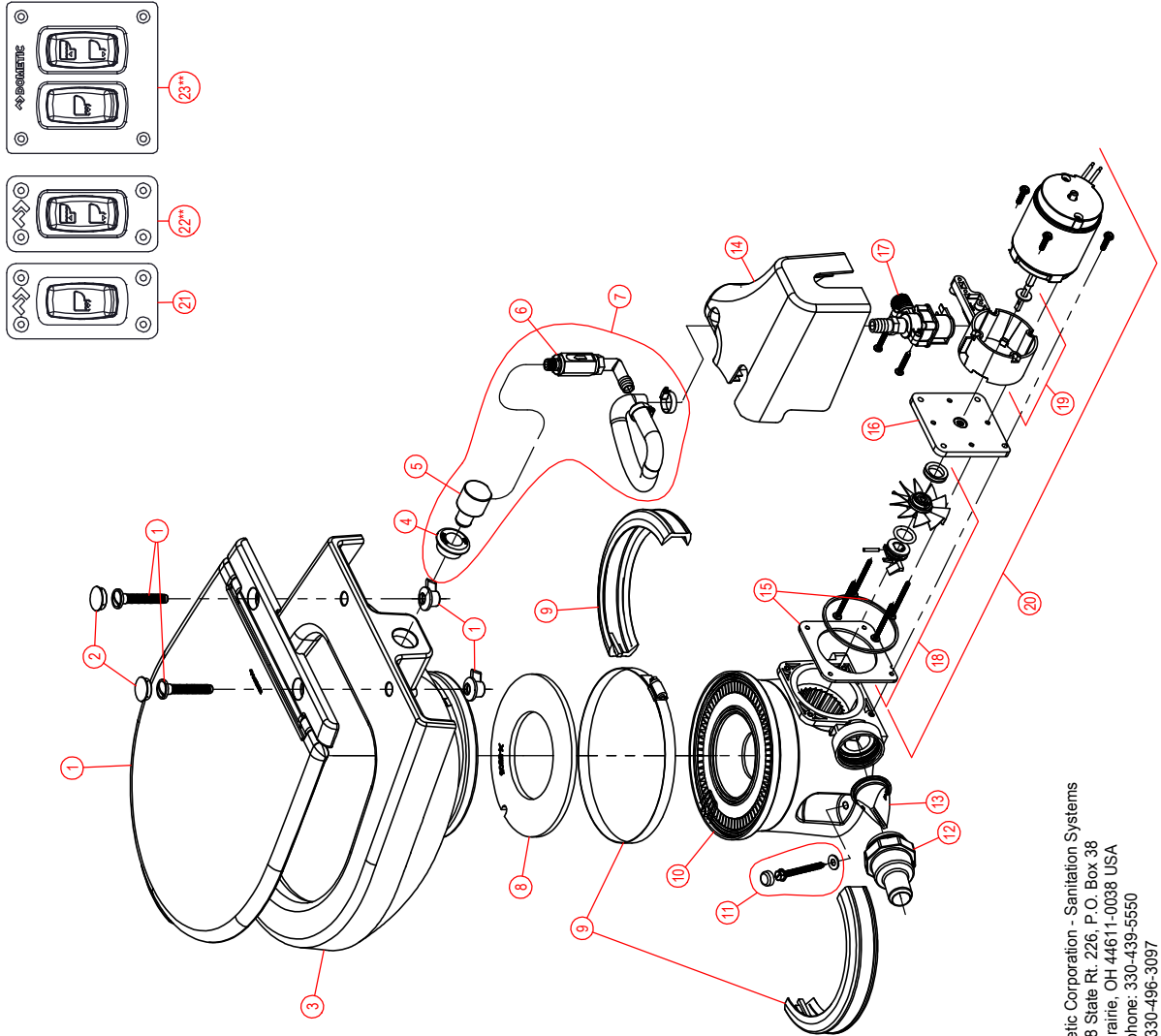
# PARTS LIST: ORBIT 7220 MODEL - 304722013

ITEM	PART NUMBER & DESCRIPTION
1	385344436 - SEAT/COVER - WHITE **Includes Mounting Hardware.
2	385310676 - BOWL KIT - WHITE
3	385311164 - 1/2" SEALING GROMMET
4	385310696 - VACUUM BREAKER COVER - WHITE **Includes Mounting Hardware.
5	385316906 - VACUUM BREAKER KIT **Includes Item 3.
6	385312020 - BOWL SUPPLY HOSE KIT - FRESH WATER **Includes Clamps.
7	385311979 - BOWL SEAL
8	385310025 - BOWL/BASE CLAMP KIT - WHITE
9	385311980 - BASE KIT - WHITE
10	385310679 - MOUNTING HARDWARE - WHITE
11	385312008 - SLIP ELBOW OUTLET KIT-1" & 1-1/2"
12	385311620 - 1-1/2" CHECK VALVE
13	385311985 - 7000 SERIES PUMP/MOTOR COVER - WHITE
14	385312033 - FLANGE GASKET REPLACEMENT KIT
15	385311987 - MOTOR MOUNTING PLATE **Includes all Pump Seals & Mounting Hardware.
16	385311851 - WATER VALVE KIT - 12vdc **Includes mounting screws & clamps.
17	385311988 - MACERATOR BLADE REBUILD KIT **Includes Mounting Hardware.
18	385311992 - WATER VALVE MOUNTING SPACER KIT **Includes all Pump Seals.
19	385311995 - PUMP/MOTOR 12v REPLACEMENT-COMLETE **Includes Items 14-18 & Clamps.



Dometic Corporation - Sanitation Systems  
13128 State Rt. 226, P.O. Box 38  
Big Prairie, OH 44611-0038 USA  
Telephone: 330-439-5550  
Fax: 330-496-3097  
Email: sealand@dometicusa.com

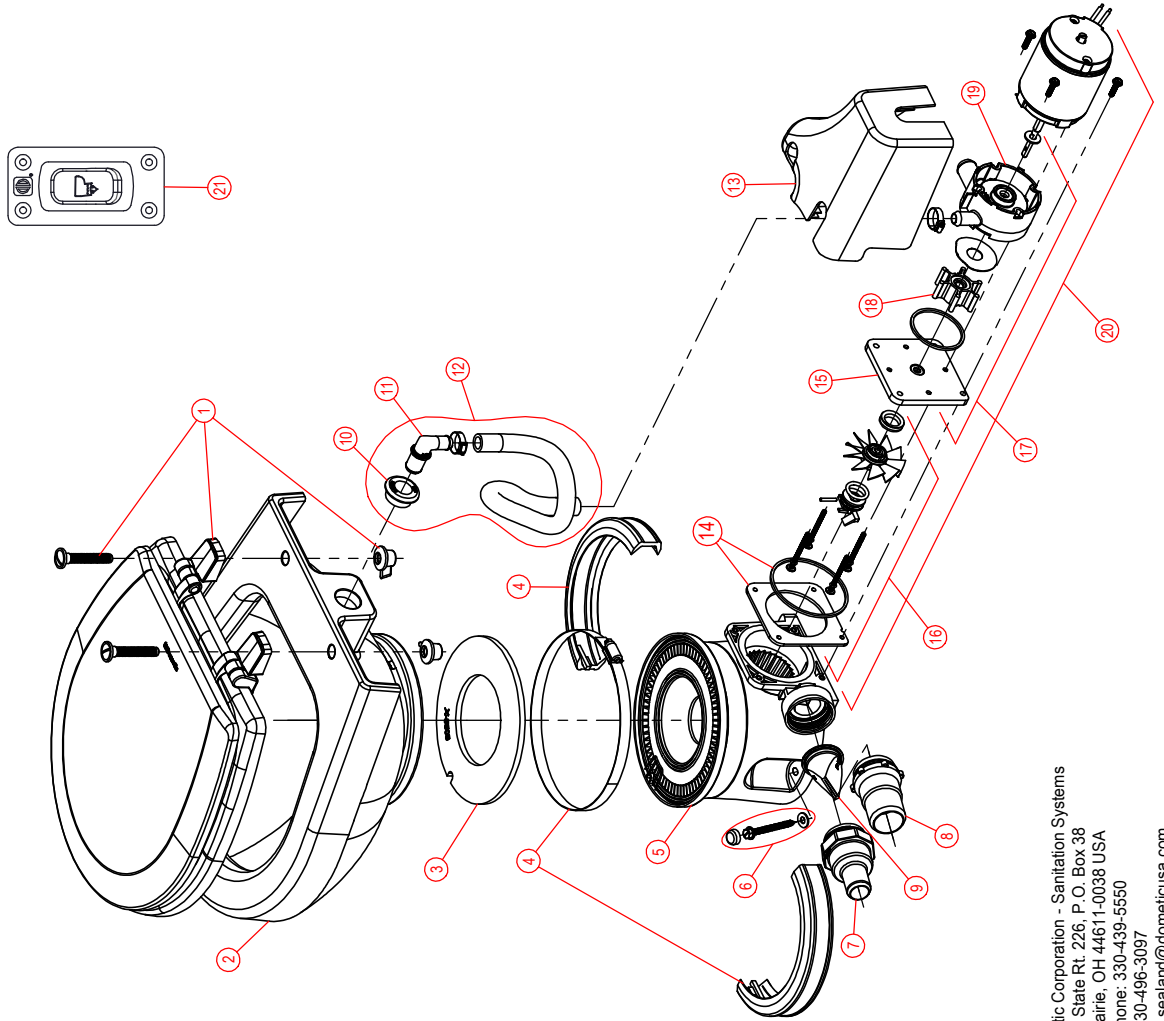
# PARTS LIST: ORBIT 7225 MODEL



ITEM	PART NUMBER & DESCRIPTION
1	385312104 - LOW-PROFILE ECOVAC SEAT/CVR-WHT 385312105 - LOW-PROFILE ECOVAC SEAT/CVR-BONE **Includes Item 2 & Mounting Hardware.
2	385311648 - SEAT MOUNTING COVER - WHITE 385311649 - SEAT MOUNTING COVER - BONE
3	385310676 - BOWL KIT - WHITE 385310781 - BOWL KIT - BONE
4	385311164 - 1/2" SEALING GROMMET
5	385312106 - 1/2" GROMMET/CHECK VALVE ADAPTER
6	385312107 - THREADED CHECK VALVE w/ELBOW
7	385312108 - BOWL SUPPLY HOSE KIT-7225 FRESH WTR **Includes Items 4, 5, 6, & Clamps.
8	385311979 - BOWL SEAL
9	385310025 - BOWL/BASE CLAMP KIT - WHITE 385310048 - BOWL/BASE CLAMP KIT - BONE
10	385311980 - BASE KIT - WHITE 385311981 - BASE KIT - BONE
11	385310679 - MOUNTING HARDWARE - WHITE 385310785 - MOUNTING HARDWARE - BONE
12	385312008 - SLIP ELBOW OUTLET KIT-1" & 1-1/2"
13	385311620 - 1-1/2" CHECK VALVE
14	385311985 - 7000 SERIES PUMP/MOTOR COVER - WHITE 385311986 - 7000 SERIES PUMP/MOTOR COVER - BONE
15	385312033 - FLANGE GASKET REPLACEMENT KIT
16	385311987 - MOTOR MOUNTING PLATE **Includes all Pump Seals & Mounting Hardware.
17	385311851 - WATER VALVE KIT - 12vdc 385311852 - WATER VALVE KIT - 24vdc **Includes mounting screws & clamps.
18	385311988 - MACERATOR BLADE REBUILD KIT **Includes Mounting Hardware.
19	385311992 - WATER VALVE MOUNTING SPACER KIT **Includes all Pump Seals.
20	385311995 - PUMP/MOTOR 12v REPLACEMENT-COMLETE 385311996 - PUMP/MOTOR 24v REPLACEMENT-COMLETE **Includes Items 15-19 & Clamps.
21	385311997 - DFS-1F FLUSH SWITCH PANEL **Includes Mounting Screws.
22**	385311998 - DFS-2F FLUSH SWITCH PANEL **Optional; not Provided with all Models.
23**	385311702 - DFST FLUSH SWITCH PANEL **Optional; not Provided with all Models.

Dometic Corporation - Sanitation Systems  
13128 State Rt. 226, P.O. Box 38  
Big Prairie, OH 44611-0038 USA  
Telephone: 330-439-5550  
Fax: 330-496-3097  
Email: sealand@dometicusa.com

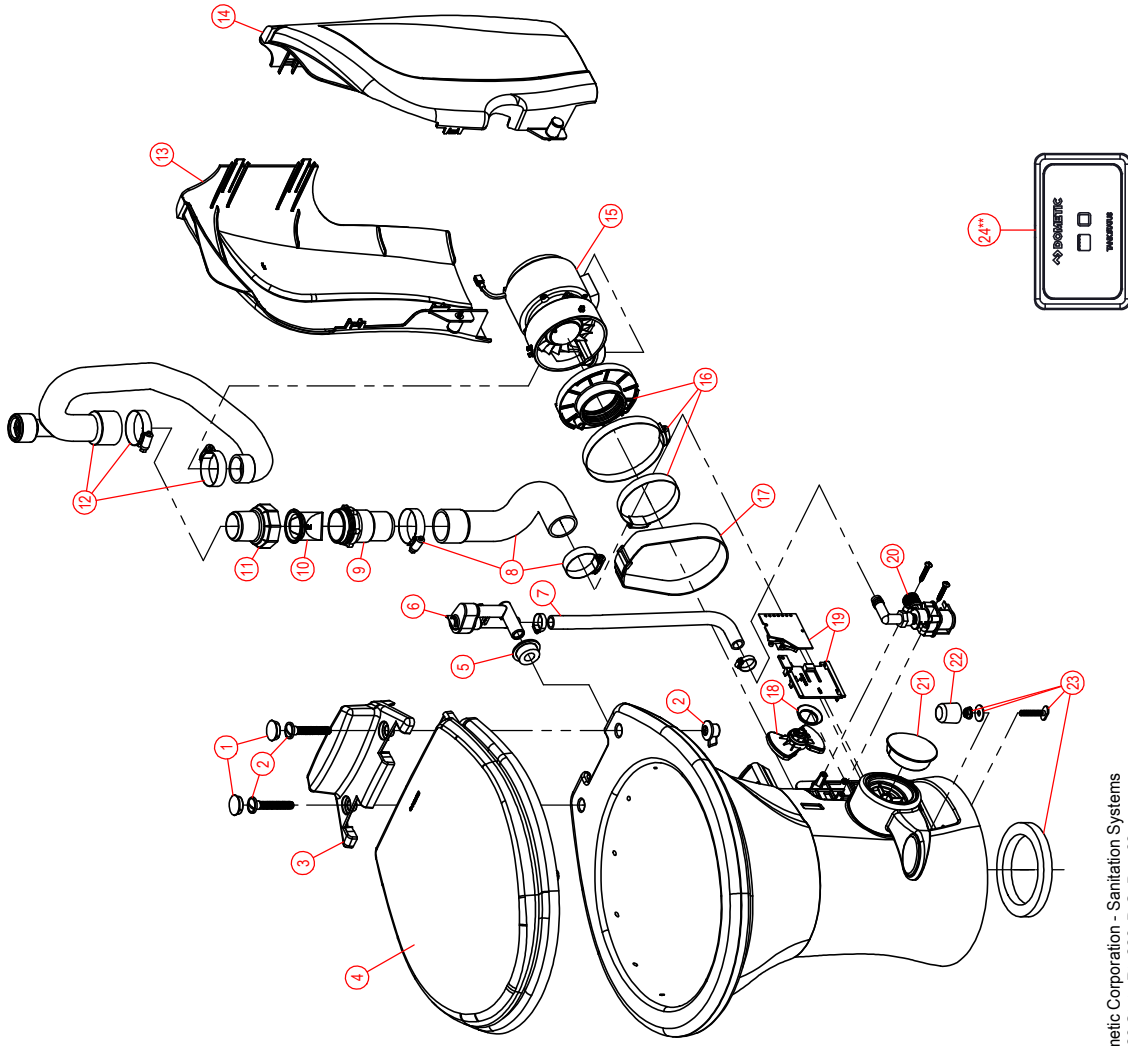
# PARTS LIST: ORBIT 7260 STANDARD VERSION



ITEM	PART NUMBER & DESCRIPTION
1	385344436 - SEAT/COVER - WHITE 385344437 - SEAT/COVER - BONE **Includes Mounting Hardware.
2	385310676 - BOWL KIT - WHITE 385310781 - BOWL KIT - BONE
3	385311979 - BOWL SEAL
4	385310025 - BOWL/BASE CLAMP KIT - WHITE 385310048 - BOWL/BASE CLAMP KIT - BONE
5	385311980 - BASE KIT - WHITE 385311981 - BASE KIT - BONE
6	385310679 - MOUNTING HARDWARE
7	385880072 - 1" VALVE ADAPTER
8	385311315 - 1-1/2" VALVE ADAPTER
9	385311620 - 1-1/2" CHECK VALVE
10	385311164 - 1/2" SEALING GROMMET
11	385312021 - BOWL SUPPLY HOSE ELBOW ADAPTER **Includes Item 10.
12	385312022 - BOWL SUPPLY HOSE KIT - RAW WATER **Includes Items 10; 11 & Clamps
13	385311985 - 7000 SERIES PUMP/MOTOR COVER - WHITE 385311986 - 7000 SERIES PUMP/MOTOR COVER - BONE
14	385312033 - FLANGE GASKET REPLACEMENT KIT
15	385311987 - MOTOR MOUNTING PLATE **Includes all Pump Seals & Mounting Hardware.B5
16	385311988 - MACERATOR BLADE REBUILD KIT **Includes Mounting Hardware.
17	385311989 - WATER PUMP REBUILD KIT **Includes all Mounting Hardware & Pump Seals.
18	385311990 - WATER PUMP IMPELLER/SEAL REPLACEMENT **Includes all Pump Seals.
19	385311991 - WATER PUMP HOUSING **Includes Pump Seals.
20	385311993 - PUMP/MOTOR 12v REPLACEMENT-COMLETE 385311994 - PUMP/MOTOR 24v REPLACEMENT-COMLETE **Includes Items 14-17 & Clamps.
21	385311997 - DFS-1F FLUSH SWITCH PANEL **Includes Mounting Screws.

Dometic Corporation - Sanitation Systems  
 13128 State Rt. 226, P.O. Box 38  
 Big Prairie, OH 44611-0038 USA  
 Telephone: 330-439-5550  
 Fax: 330-496-3097  
 Email: sealand@dometicus.com

# PARTS LIST: 7640 MODEL

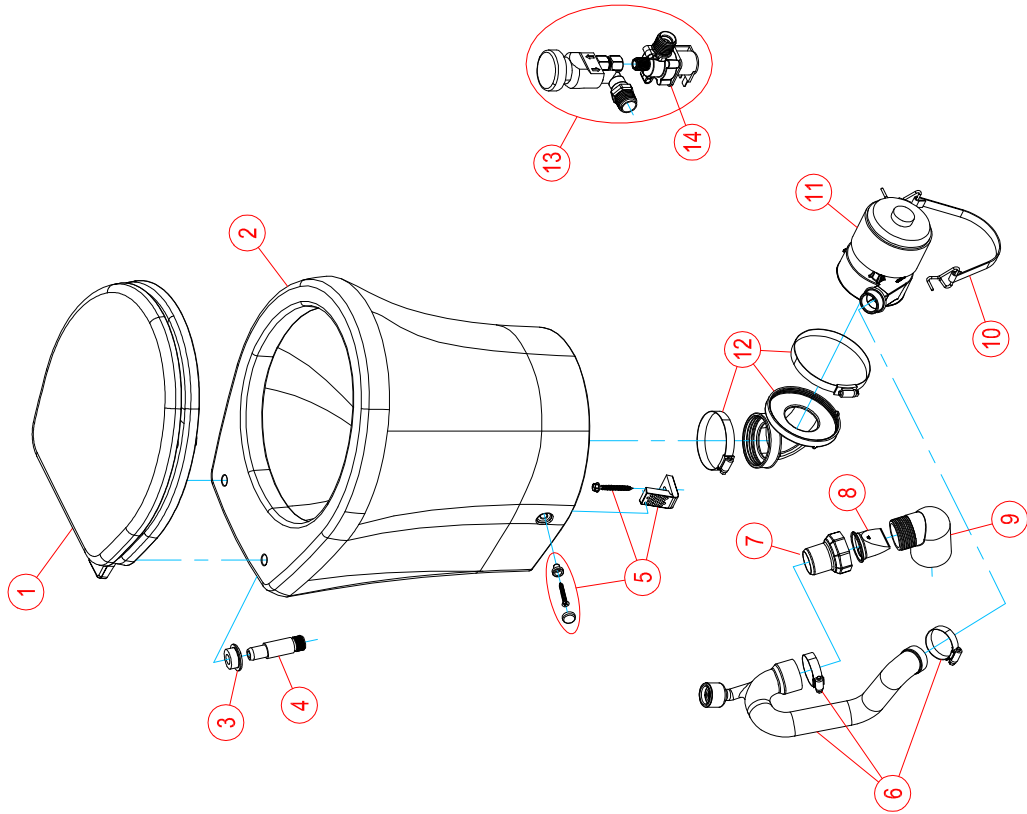


ITEM	PART NUMBER & DESCRIPTION
1	385311648 - SEAT MOUNTING COVER - WHITE 385311649 - SEAT MOUNTING COVER - BONE
2	385311650 - SEAT MOUNTING HARDWARE - WHITE 385311651 - SEAT MOUNTING HARDWARE - BONE **Includes Item 1.
3	385311944 - VACUUM BREAKER REPL COVER - WHITE 385311945 - VACUUM BREAKER REPL COVER - BONE **Includes Items 1 & 2.
4	385311949 - SEAT/COVER REPLACEMENT - WHITE 385311950 - SEAT/COVER REPLACEMENT - BONE **Includes Items 1, 2, & 3.
5	385311164 - 1/2" SEALING GROMMET
6	385316906 - VACUUM BREAKER KIT; WITHOUT SPRAYER **Includes Item 5.
7	385312080 - BOWL SUPPLY HOSE **Includes Clamps.
8	385312081 - LOWER DISCHARGE TUBE
9	385311315 - 1-1/2" PUMP OUTLET FITTING
10	385311620 - 1-1/2" CHECK VALVE
11	385880070 - DISCHARGE TUBE VALVE ADAPTER
12	385312082 - UPPER DISCHARGE TUBE **Includes Anti-Siphon Valve.
13	385312083 - RH PUMP/BASE COVER - WHITE 385312084 - RH PUMP/BASE COVER - BONE **Includes Mounting Hardware.
14	385312085 - LH PUMP/BASE COVER - WHITE 385312086 - LH PUMP/BASE COVER - BONE **Includes Mounting Hardware.
15	385880068 - MOTOR/MACERATOR ASSY - 12VDC
16	385312087 - BOWL OUTLET ADAPTER TO PUMP
17	385880083 - MOTOR/PUMP MOUNTING STRAP
18	385312088 - LIMIT SWITCH CAM REPLACEMENT
19	385312089 - CONTROL MODULE 7600
20	385312090 - WATER VALVE ASSEMBLY **Includes Mounting Screws.
21	385311656 - PEDAL COVER - WHITE 385311657 - PEDAL COVER - BONE
22	385311654 - FLOOR BOLT CAP - WHITE 385311655 - FLOOR BOLT CAP - BONE
23	385311652 - MITG-HARDWARE & FLOOR SEAL - WHITE 385311653 - MITG-HARDWARE & FLOOR SEAL - BONE **Includes Item 21.
24**	313002311 - DOMETIC TK MONITOR 01 w/FLOAT PLATE 313002312 - DOMETIC TK MONITOR 01 w/FLOAT CAP **Optional Accessory; Sold Separately.
NOT SHOWN	385311022 - REMOTE MOUNTING HARDWARE KIT W/HT/BONE

Dometic Corporation - Sanitation Systems  
13128 State Rt. 226, P.O. Box 38  
Big Prairie, OH 44611-0038 USA  
Telephone: 330-439-5550  
Fax: 330-496-3097  
Email: seatand@dometicusa.com

# PARTS LIST: 8100 TALL SERIES / 304810101

ITEM	PART NUMBER & DESCRIPTION
1	385311694 SEAT/COVER WOOD - WHITE
2	385880078 8900/8100 TALL SERIES BOWL KIT-WHITE
3	385311164 1/2" SEALING GROMMET
4	385311879 BOWL SUPPLY FITTING **INCLUDES ITEM 3.
5	385311463 BOWL MOUNTING HARDWARE KIT
6	385311778 DISCHARGE TUBE - TALL SERIES **INCLUDES ANTI-SIPHON VALVE.
7	385880070 DISCHARGE TUBE VALVE ADAPTER
8	385311620 1-1/2" CHECK VALVE
9	385311880 1-1/2" MPT x SLIP ELBOW
10	385880083 MOTOR/MAC MOUNTING STRAP
11	385880068 MOTOR/MACERATOR ASSY - 12VDC
12	385880067 BOWL OUTLET ELBOW
13	385311881 REMOTE MOUNTED WATER VALVE / VACUUM BREAKER ASSY ** INCLUDES ITEMS 15.
14	385311882 WATER WATER KIT - 12VDC
15	313002310 DTM01 PANEL
16	385311702 8100 FLUSH SWITCH / WATER LEVEL CONTROL

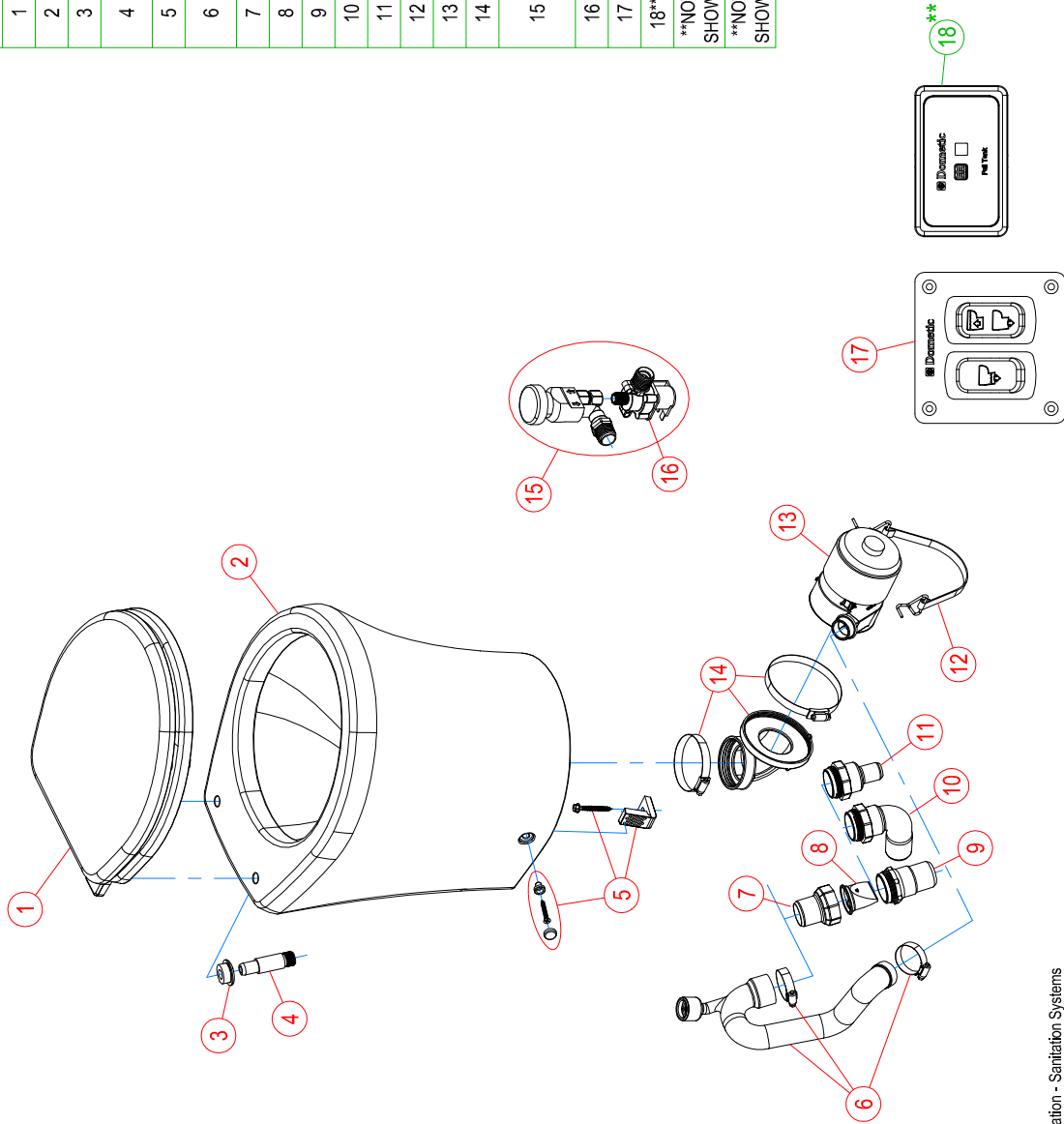


Domestic Corporation - Sanitation Systems  
13128 Slate Rt. 226, P.O. Box 38  
Big Prairie, OH 44611-0038 USA  
Telephone: 330-496-3211  
Fax: 330-496-3097  
Email: sealand@domesticusa.com



# PARTS LIST: 8110 STANDARD SERIES

ITEM	PART NUMBER & DESCRIPTION
1	385311694 SEAT/COVER WOOD - WHITE
2	385880078 8900/8100 STANDARD SERIES BOWL KIT-WHITE
3	385311164 1/2" SEALING GROMMET
4	385311879 BOWL SUPPLY FITTING **INCLUDES ITEM 3.
5	385311463 BOWL MOUNTING HARDWARE KIT
6	385311778 DISCHARGE TUBE - STANDARD SERIES **INCLUDES ANTI-SIPHON VALVE.
7	385880070 DISCHARGE TUBE VALVE ADAPTER
8	385311620 1-1/2" CHECK VALVE
9	385311315 1-1/2" VALVE ADAPTER
10	385880071 1-1/2" VALVE ADAPTER ELBOW
11	385880072 1" VALVE ADAPTER
12	385880083 MOTOR/MAC MOUNTING STRAP
13	385880068 MOTOR/MACERATOR ASSY - 12VDC
14	385880067 BOWL OUTLET ELBOW
15	385311881 REMOTE MOUNTED WATER VALVE / VACUUM BREAKER ASSY ** INCLUDES ITEMS 16.
16	385311882 WATER WATER KIT - 12VDC
17	385311702 8"100 FLUSH SWITCH / WATER LEVEL CONTROL
18**	313002310 DTM01 PANEL
**NOT SHOWN	313900101 FULL TANK LEVEL KIT
***NOT SHOWN	385311888 FULL TANK SHUTDOWN RELAY KIT-12VDC

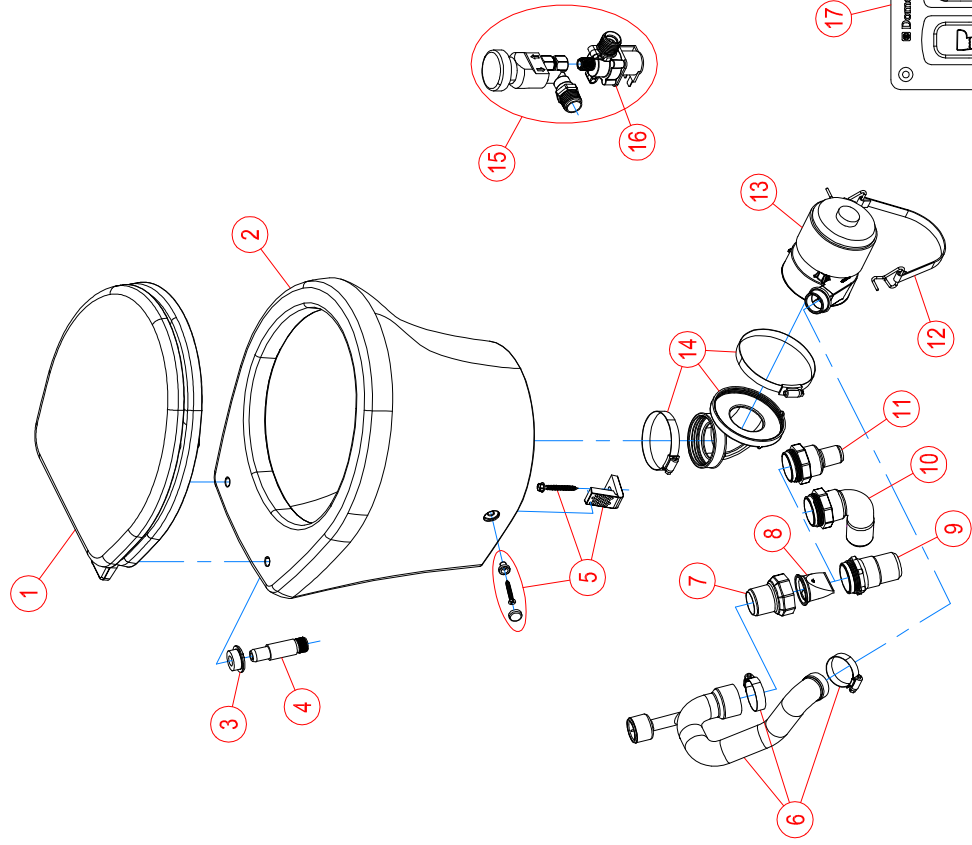


\*\* ITEMS 18; 319900101 & 385311888  
ARE OPTIONAL ACCESSORIES SOLD SEPARATELY & ARE NOT  
INCLUDED OR PROVIDED WITH EVERY MODEL.

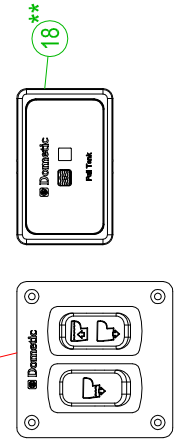
Domestic Corporation - Sanitation Systems  
13128 Slate Rt. 226, P.O. Box 38  
Big Prairie, OH 44611-0038 USA  
Telephone: 330-439-5550  
Fax: 330-496-3097  
Email: sealand@domesticusa.com

# PARTS LIST: 8111 LOW-PROFILE SERIES

ITEM	PART NUMBER & DESCRIPTION
1	385311694 SEAT/COVER WOOD - WHITE
2	385880076 8900/8100 LOW-PROFILE SERIES BOWL KIT-WHITE
3	385311164 1/2" SEALING GROMMET
4	385311879 BOWL SUPPLY FITTING **INCLUDES ITEM 3.
5	385311463 BOWL MOUNTING HARDWARE KIT
6	385880065 DISCHARGE TUBE - LOW-PROFILE SERIES **INCLUDES ANTI-SIPHON VALVE.
7	385880070 DISCHARGE TUBE VALVE ADAPTER
8	385311620 1-1/2" CHECK VALVE
9	385311315 1-1/2" VALVE ADAPTER
10	385880071 1-1/2" VALVE ADAPTER ELBOW
11	385880072 1" VALVE ADAPTER
12	385880083 MOTOR/MAC MOUNTING STRAP
13	385880068 MOTOR/MACERATOR ASSY - 12VDC
14	385880067 BOWL OUTLET ELBOW
15	385311881 REMOTE MOUNTED WATER VALVE / VACUUM BREAKER ASSY ** INCLUDES ITEMS 17.
16	385311882 WATER WATER KIT - 12VDC
17	385311702 8"100 FLUSH SWITCH / WATER LEVEL CONTROL
18**	313002310 DTM01 PANEL
**NOT SHOWN	313900101 FULL TANK LEVEL KIT
***NOT SHOWN	385311888 FULL TANK SHUTDOWN RELAY KIT-12VDC

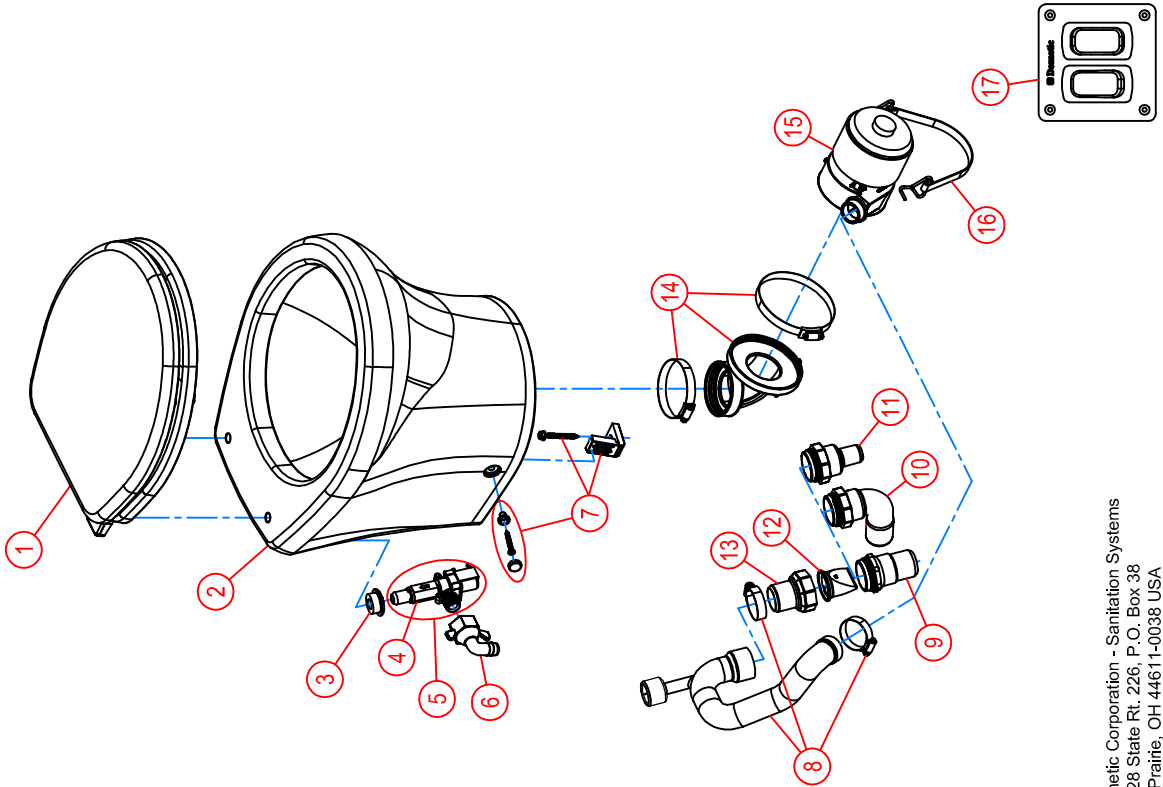


\*\* ITEMS 19; 319900101 & 385311888  
ARE OPTIONAL ACCESSORIES SOLD SEPARATELY & ARE NOT  
INCLUDED OR PROVIDED WITH EVERY MODEL.



Domestic Corporation - Sanitation Systems  
13128 Slate Rt. 226, P.O. Box 38  
Big Prairie, OH 44611-0038 USA  
Telephone: 330-439-5550  
Fax: 330-496-3097  
Email: sealand@domesticusa.com

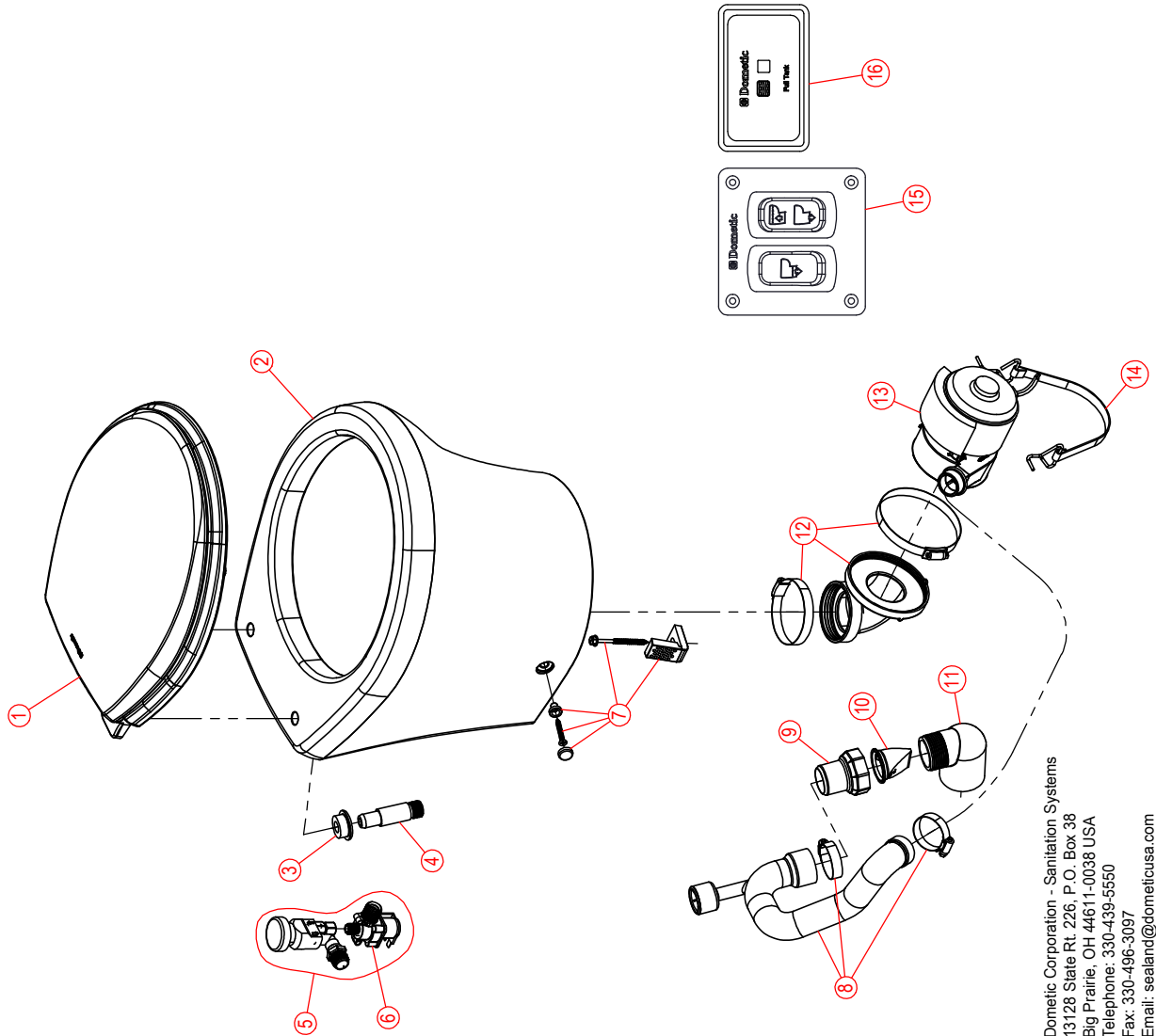
# PARTS LIST: 8100 LOW PROFILE SERIES



ITEM	PART NUMBER & DESCRIPTION
1	385311694 SEAT/COVER WOOD - WHITE
2	385880076 8100 SHORT SERIES BOWL KIT - WHITE
3	385311164 1/2" SEALING GROMMET
4	385880073 CHECK VALVE REPLACEMENT
5	385880074 WATER VALVE KIT - 12VDC
5	385880075 WATER VALVE KIT - 24VDC **Includes Items 3 & 4
6	385311717 1/2" SWIVEL ELBOW
7	385311463 BOWL MOUNTING HARDWARE KIT
8	385880065 DISCHARGE TUBE REPLACEMENT KIT **Includes Clamps & Antisiphon Valve.
9	385311315 1-1/2" VALVE ADAPTER
10	385880071 1-1/2" VALVE ADAPTER ELBOW
11	385880072 1" VALVE ADAPTER
12	385311620 1-1/2" CHECK VALVE
13	385880070 DISCHARGE TUBE VALVE ADAPTER
14	385880067 BOWL OUTLET ELBOW
15	385880068 MOTOR/MACERATOR ASSY - 12VDC
15	385880069 MOTOR/MACERATOR ASSY - 24VDC
16	385880083 MOTOR/MAC MOUNTING STRAP
17	385311702 8100 FLUSH SWITCH PANEL
NOT SHOWN	385311547 WATER SUPPLY HOSE REPLACEMENT **Optional Item (Replaces Item #6)

Dometic Corporation - Sanitation Systems  
13128 State Rt. 226, P.O. Box 38  
Big Prairie, OH 44611-0038 USA  
Telephone: 330-439-5550  
Fax: 330-496-3097  
Email: [sealand@dometicusa.com](mailto:sealand@dometicusa.com)

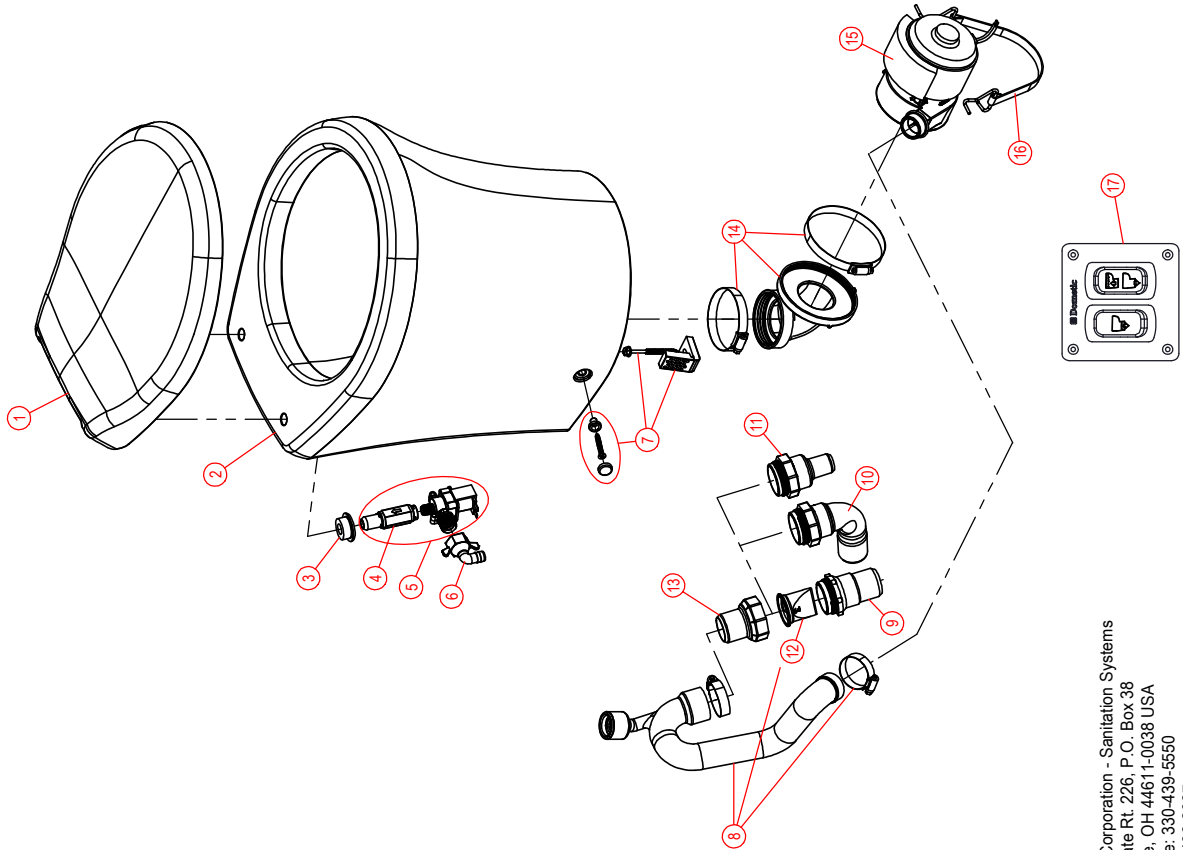
# PARTS LIST: 8120 LOW-PROFILE SERIES - 304812001



ITEM	PART NUMBER & DESCRIPTION
1	385311694 - SEAT/COVER WOOD - WHITE **Includes Mounting Hardware
2	385880076 - 8900/8100 SHORT SERIES BOWL KIT-WHITE
3	385311164 - 1/2" SEALING GROMMET
4	385311879 - BOWL SUPPLY FITTING **Includes Item 3.
5	385311881 - REMOTE MOUNT WATER VALVE/ VACUUM BREAKER ASSEMBLY **Includes Item 6.
6	385311882 - WATER VALVE KIT - 12vdc
7	385311463 - BOWL MOUNTING HARDWARE KIT
8	385880065 - DISCHARGE TUBE REPLACEMENT KIT **Includes Clamps & Antisiphon Valve.
9	385880070 - DISCHARGE TUBE VALVE ADAPTER
10	385311620 - 1-1/2" CHECK VALVE
11	385311880 - 1-1/2" SLIP X MALE THREAD ELBOW
12	385880067 - BOWL OUTLET ELBOW
13	385880068 - MOTOR/MACERATOR ASSY - 12VDC
14	385880083 - MOTOR/PUMP MOUNTING STRAP
15	385311702 - DFST FLUSH SWITCH PANEL
16	313002310 - DTM01 PANEL

Dometic Corporation - Sanitation Systems  
13128 State Rt. 226, P.O. Box 38  
Big Prairie, OH 44611-0038 USA  
Telephone: 330-439-5550  
Fax: 330-496-3097  
Email: sealand@dometicus.com

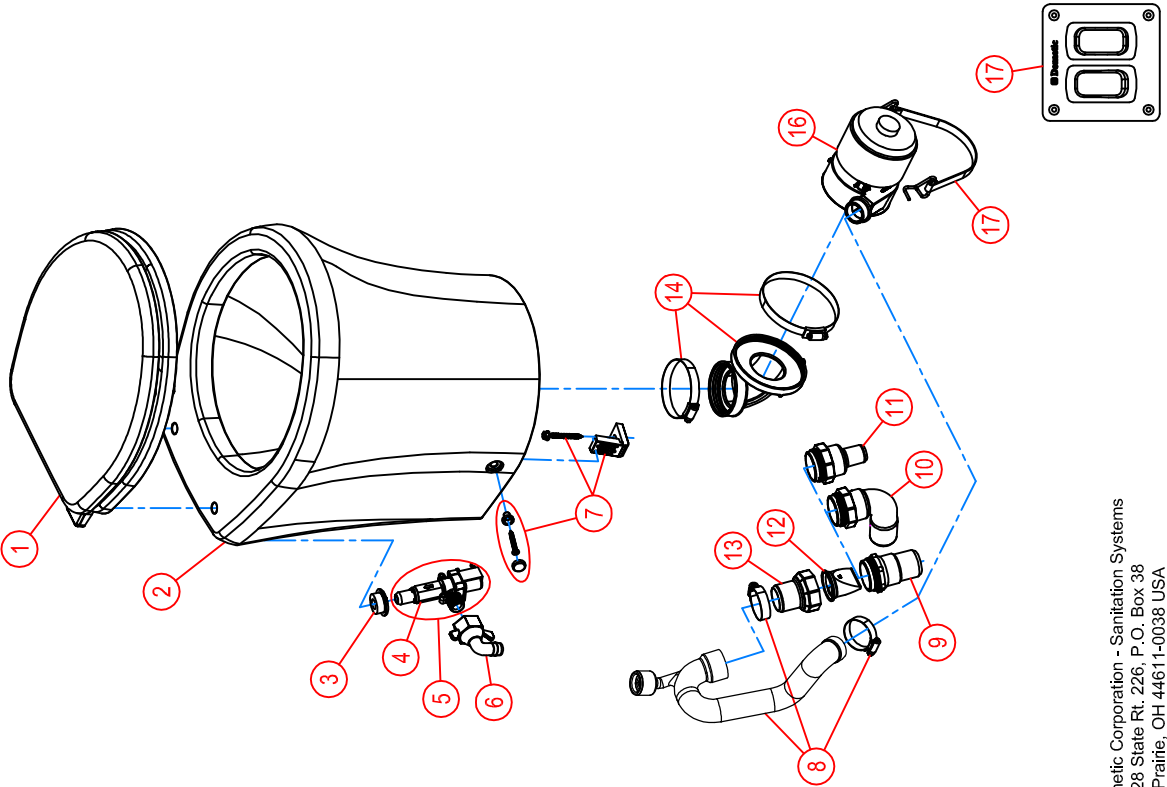
# PARTS LIST: 8140 TALL SERIES (304814001)



ITEM	PART NUMBER & DESCRIPTION
1	385311618 - SEAT/COVER SLOW-CLOSE WHITE
2	385880078 - 81/8900 TALL BOWL KIT - WHITE
3	385311164 - 1/2" SEALING GROMMET
4	385880073 - CHECK VALVE REPLACEMENT
5	385880074 - WATER VALVE KIT - 12VDC **INCLUDES ITEMS #3 & #4.
6	385311717 - 1/2" SWIVEL ELBOW
7	385311463 - BOWL MOUNTING HARDWARE KIT.
8	385311778 - DISCHARGE TUBE - TALL SERIES **INCLUDES ANTI-SIPHON VALVE.
9	385311315 - 1-1/2" VALVE ADAPTER
10	385880071 - 1-1/2" VALVE ADAPTER ELBOW
11	385880072 - 1" VALVE ADAPTER
12	385310620 - 1-1/2" CHECK VALVE
13	385880070 - DISCHARGE TUBE VALVE ADAPTER
14	385880067 - BOWL OUTLET ELBOW
15	385311928 - MOTOR/MACERATOR ASSY - 12VDC
16	385880083 - MOTOR/MAC MOUNTING STRAP
17	385311702 - 8100 FLUSH SWITCH PANEL
NOT SHOWN	385312031 - REPLACEMENT MOTOR CAPACITOR KIT ***Includes Wire Connectors.

Dometic Corporation - Sanitation Systems  
 13128 State Rt. 226, P.O. Box 38  
 Big Prairie, OH 44611-0038 USA  
 Telephone: 330-439-5550  
 Fax: 330-496-3097  
 Email: sealand@dometicusa.com

# PARTS LIST: 8100 TALL SERIES

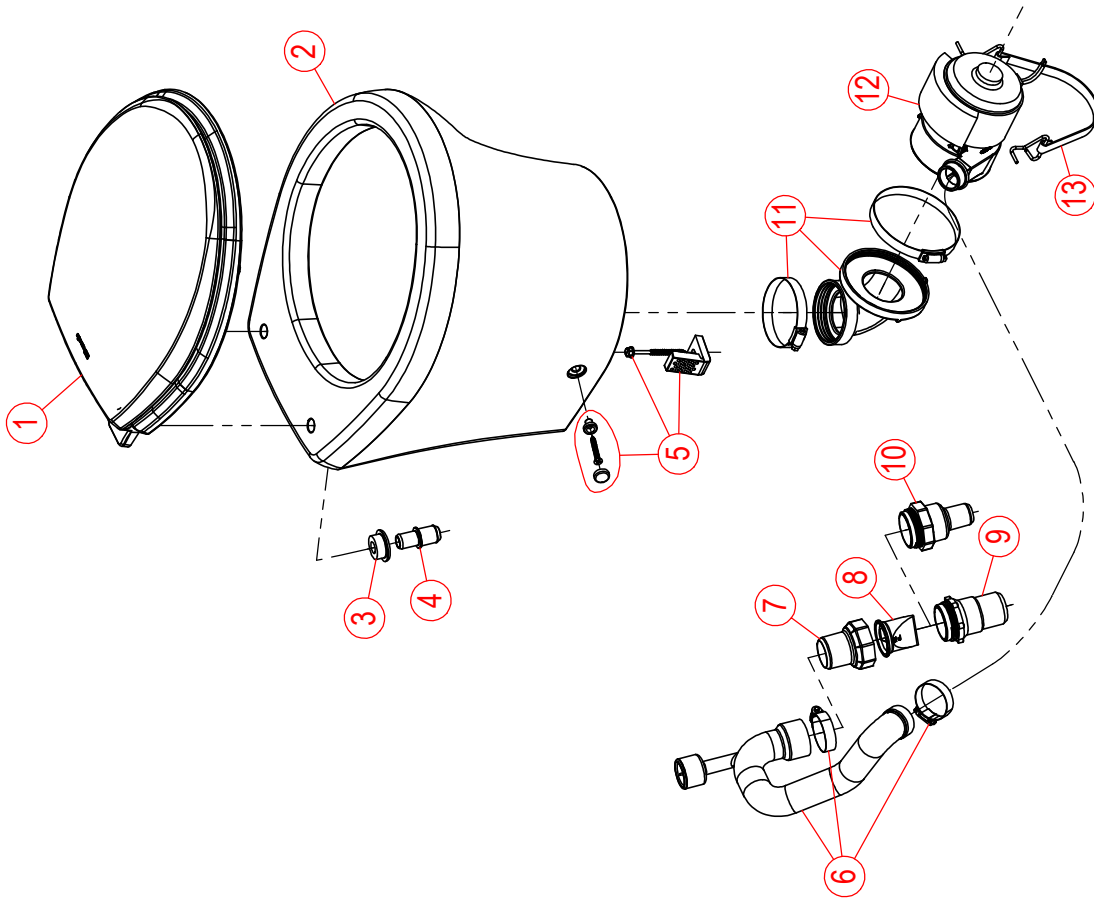


ITEM	PART NUMBER & DESCRIPTION
1	385311694 SEAT/COVER WOOD - WHITE
2	385880078 8100 TALL SERIES BOWL KIT - WHITE
3	385311164 1/2" SEALING GROMMET
4	385880073 CHECK VALVE REPLACEMENT
5	385880074 WATER VALVE KIT - 12VDC
5	385880075 WATER VALVE KIT - 24VDC **Includes Items 3 & 4
6	385311717 1/2" SWIVEL ELBOW
7	385311463 BOWL MOUNTING HARDWARE KIT
8	385311778 DISCHARGE TUBE - TALL SERIES **Includes Anti-Sipon Valve
9	385311315 1-1/2" VALVE ADAPTER
10	385880071 1-1/2" VALVE ADAPTER ELBOW
11	385880072 1" VALVE ADAPTER
12	385311620 1-1/2" CHECK VALVE
13	385880070 DISCHARGE TUBE VALVE ADAPTER
14	385880067 BOWL OUTLET ELBOW
15	385880068 MOTOR/MACERATOR ASSY - 12VDC
15	385880069 MOTOR/MACERATOR ASSY - 24VDC
16	385880083 MOTOR/MAC MOUNTING STRAP
17	385311702 8100 FLUSH SWITCH PANEL
NOT SHOWN	385311547 WATER SUPPLY HOSE REPLACEMENT **Optional Item (Replaces Item #6)

Dometic Corporation - Sanitation Systems  
13128 State Rt. 226, P.O. Box 38  
Big Prairie, OH 44611-0038 USA  
Telephone: 330-439-5550  
Fax: 330-496-3097  
Email: [sealand@dometicusa.com](mailto:sealand@dometicusa.com)



# PARTS LIST: 8165 MODEL

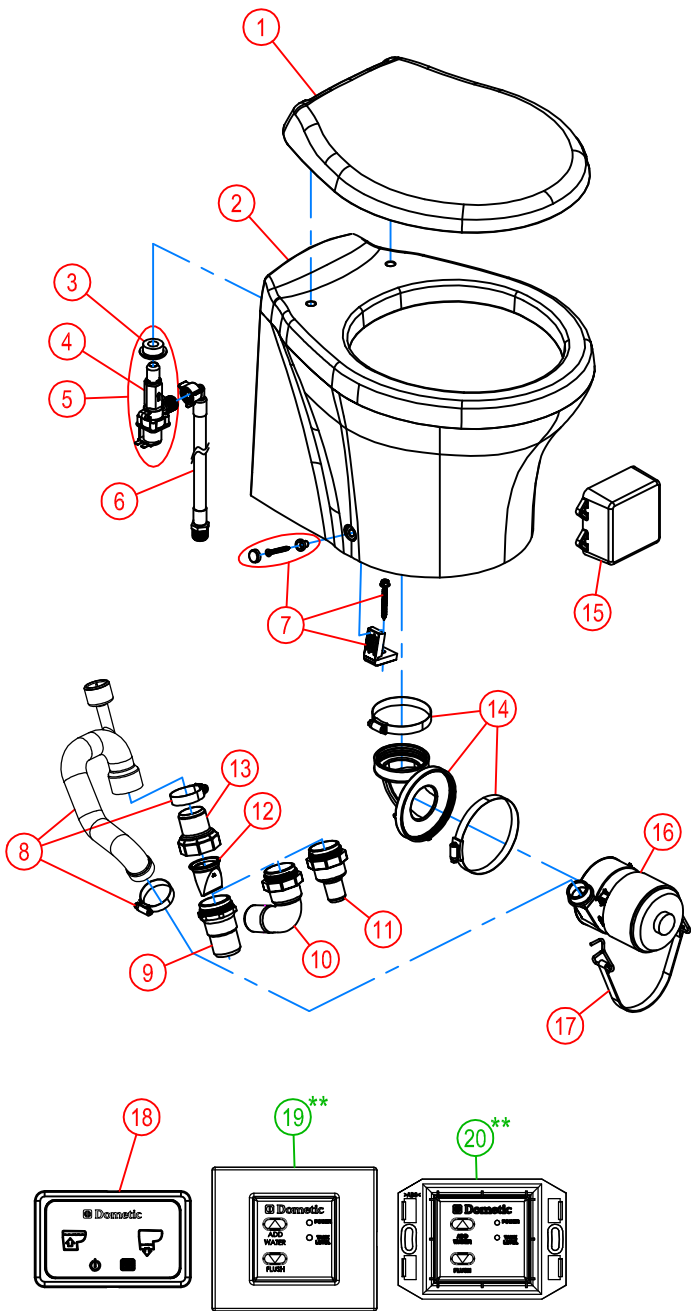


ITEM	PART NUMBER & DESCRIPTION
1	385311694 - SEAT/COVER WOOD - WHITE **Includes Mounting Hardware
2	385880076 - 8900/8100 SHORT SERIES BOWL KIT-WHITE
3	38531164 - 1/2" SEALING GROMMET
4	385312069 - 3/4" BOWL SUPPLY HOSE ADAPTER **Includes Item 3.
5	385311463 - BOWL MOUNTING HARDWARE KIT
6	385880065 - DISCHARGE TUBE REPLACEMENT KIT **Includes Clamps & Antisiphon Valve.
7	385880070 - DISCHARGE TUBE VALVE ADAPTER
8	385311620 - 1-1/2" CHECK VALVE
9	385311315 - 1-1/2" PUMP OUTLET FITTING
10	385880072 - 1" VALVE ADAPTER
11	385880067 - BOWL OUTLET ELBOW
12	385880068 - MOTOR/MACERATOR ASSY - 12VDC
13	385880083 - MOTOR/PUMP MOUNTING STRAP
14	385312071 - DOMETIC REMOTE WATER PUMP KIT - 12V **Includes Inline Strainer, & 3/4" Hose Fittings.
15	385311702 - DFST FLUSH SWITCH PANEL

Dometic Corporation - Sanitation Systems  
 13128 State Rt. 226, P.O. Box 38  
 Big Prairie, OH 44611-0038 USA  
 Telephone: 330-439-5550  
 Fax: 330-496-3097  
 Email: sealand@dometicusa.com

# PARTS LIST: 8600 LOW PROFILE SERIES

ITEM	PART NUMBER & DESCRIPTION
1	385311618 SEAT/COVER SLOW CLOSE - WHITE 385311619 SEAT/COVER SLOW CLOSE - BONE
2	385311768 8600 SHORT SERIES BOWL KIT - WHITE 385311769 8600 SHORT SERIES BOWL KIT - BONE
3	385311164 1/2" SEALING GROMMET
4	385880073 CHECKVALVE REPLACEMENT
5	385880074 WATER VALVE KIT - 12VDC 385880075 WATER VALVE KIT - 24VDC **INCLUDES ITEM 3 & 4.
6	385311547 WATER SUPPLY HOSE REPLACEMENT
7	385311463 BOWL MOUNTING HARDWARE KIT
8	385880065 DISCHARGE TUBE - SHORT SERIES **INCLUDES ANTISIPHON VALVE.
9	385311315 1-1/2" VALVE ADAPTER
10	385880071 1-1/2" VALVE ADAPTER ELBOW
11	385880072 1" VALVE ADAPTER
12	385311620 1-1/2" CHECK VALVE
13	385880070 DISCHARGE TUBE VALVE ADAPTER
14	385880067 BOWL OUTLET ELBOW
15	385880085 CONTROL MODULE 12/24VDC (DBL)
16	385880068 MOTOR/MACERATOR ASSY - 12VDC 385880069 MOTOR/MACERATOR ASSY - 24VDC
17	385880083 MOTOR/MAC MOUNTING STRAP
18	313600021 DOMETIC TOUCHPAD FLUSH SWITCH - WHITE 313600022 DOMETIC TOUCHPAD FLUSH SWITCH - BLACK
19**	313409010 DOMETIC FLUSH CONTROL-STD GRAY 313409020 DOMETIC FLUSH CONTROL- STD WHITE
20**	313409030 DOMETIC FLUSH CONTROL-PLAYBUS GRAY
NOT SHOWN	385880082 DOMETIC TOUCHPAD FLUSH SWITCH CABLE
NOT SHOWN	385880081 VIMAR/GEWISS FLUSH SWITCH WIRE HARNESS

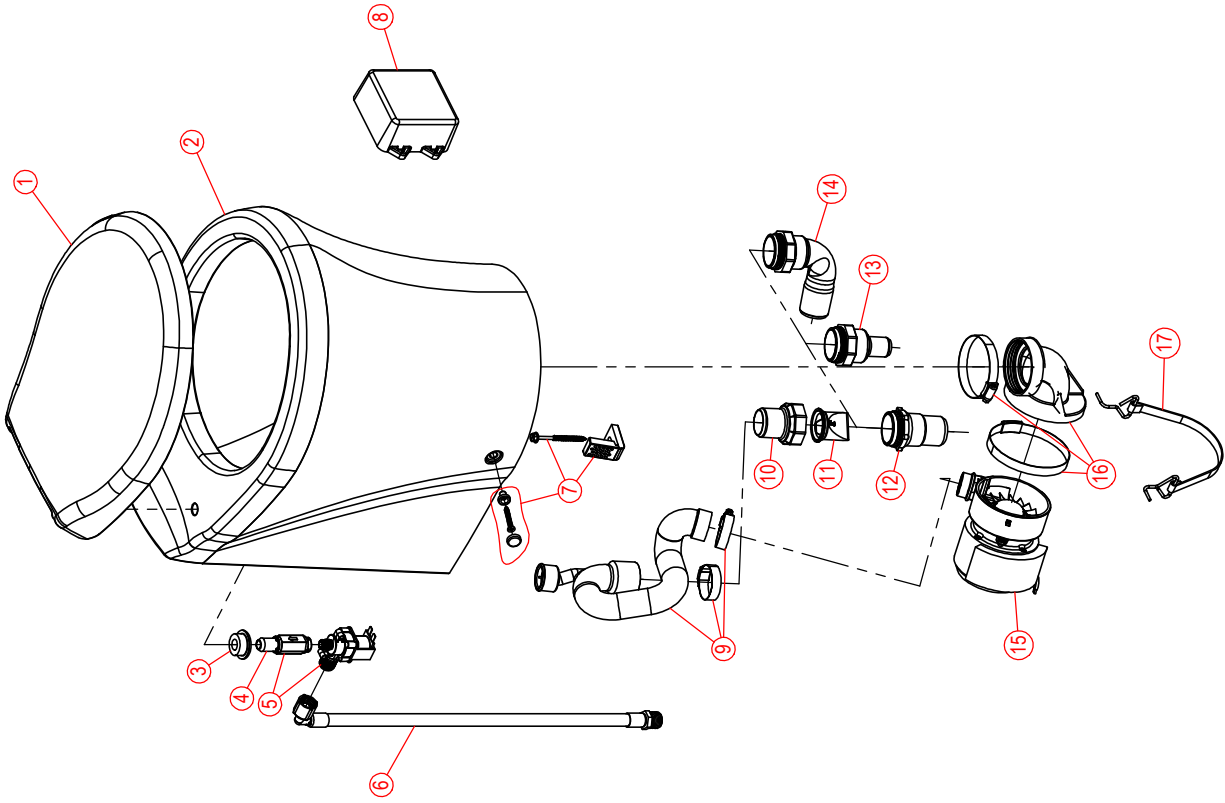


\*\* ITEMS 19 & 20:  
ARE OPTIONAL ACCESSORIES SOLD SEPARATELY & ARE NOT  
INCLUDED OR PROVIDED WITH EVERY MODEL.

P/N: 600347141  
 REV.: 02-08/14

## PARTS LIST: 8600 TALL MODEL - 304864005

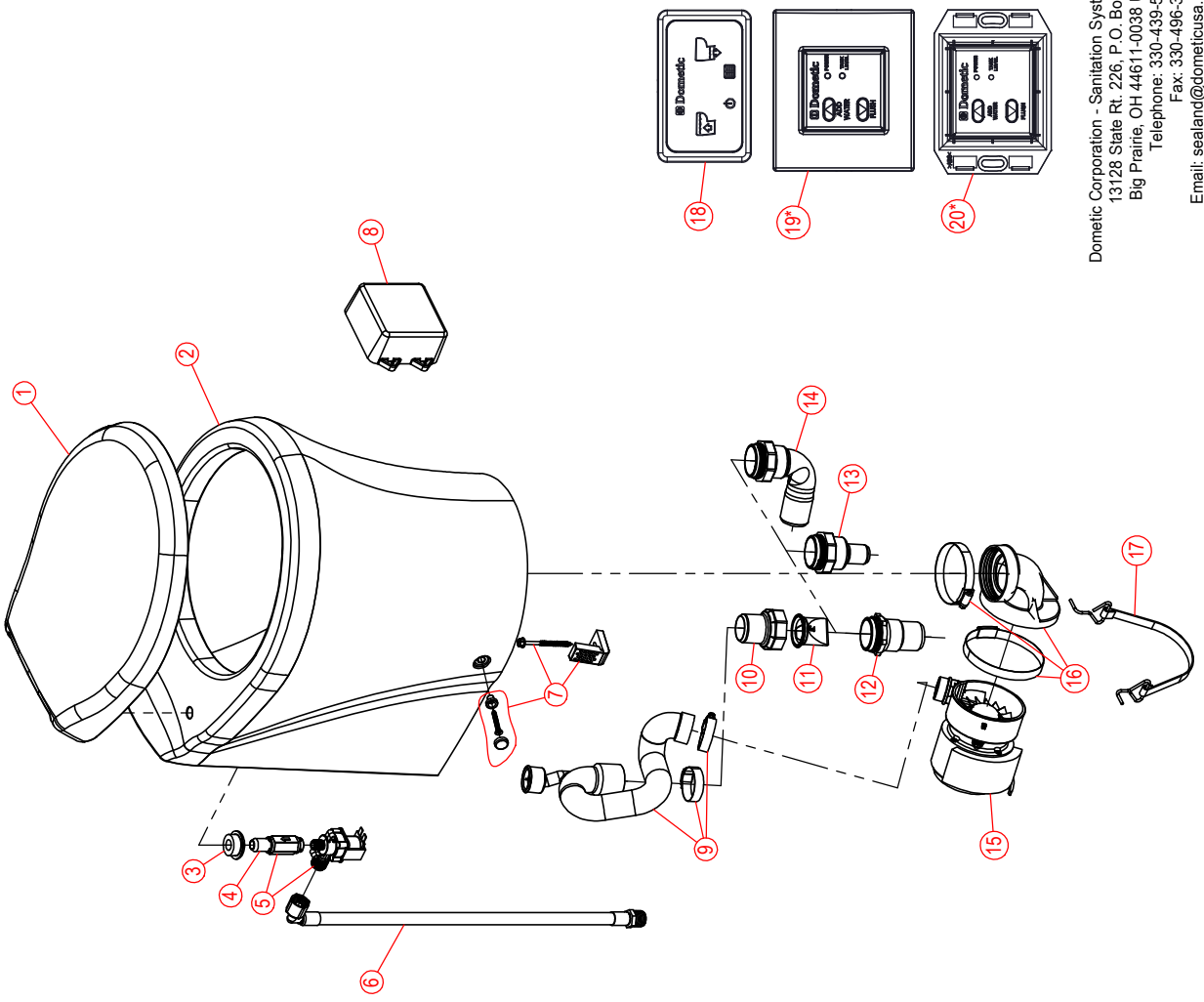
ITEM	PART NUMBER & DESCRIPTION
1	385311618 - SEAT/COVER SLOW-CLOSE KIT - WHITE
2	385312036 - 8600 TALL BOTTOM DISCHARGE BOWL KIT - WHITE
3	385311164 - 1/2" SEALING GROMMET
4	385880073 - CHECKVALVE REPLACEMENT
5	385880075 - WATER VALVE KIT - 24VDC **Includes Items 3 & 4.
6	385311547 - WATER SUPPLY HOSE REPLACEMENT
7	385311463 - BOWL MOUNTING HARDWARE KIT
8	385880085 - CONTROL MODULE 12/24VDC (DBL)
9	385312038 - DISCHARGE TUBE **Includes Anti-Siphon.
10	385880070 - DISCHARGE TUBE VALVE ADAPTER
11	385311620 - 1-1/2" CHECK VALVE
12	385311315 - 1-1/2" PUMP OUTLET FITTING
13	385880072 - 1" VALVE ADAPTER
14	385880071 - 1-1/2" VALVE ADAPTER ELBOW
15	385880069 - MOTOR.MACERATOR ASSY - 24VDC
16	385880067 - BOWL OUTLET ELBOW
17	385880083 - MOTOR/PUMP MOUNTING STRAP



Dometic Corporation - Sanitation Systems  
 13128 State Rt. 226, P.O. Box 38  
 Big Prairie, OH 44611-0038 USA  
 Telephone: 330-439-5550  
 Fax: 330-496-3097  
 Email: sealand@dometicusa.com

**PARTS LIST: 8600 TALL STANDARD MODELS 304864010; 304864011; 304864012 & 304864013**

ITEM	PART NUMBER & DESCRIPTION
1	385311618 - SEAT/COVER SLOW-CLOSE KIT - WHITE 385311619 - SEAT/COVER SLOW-CLOSE KIT - BONE
2	385312036 - 8600 TALL BOTTOM DISCHARGE BOWL KIT - WHITE 385312037 - 8600 TALL BOTTOM DISCHARGE BOWL KIT - BONE
3	385311164 - 1/2" SEALING GROMMET
4	385880073 - CHECKVALVE REPLACEMENT
5	385880074 - WATER VALVE KIT - 12VDC 385880075 - WATER VALVE KIT - 24VDC **Includes Items 3 & 4.
6	385311547 - WATER SUPPLY HOSE REPLACEMENT
7	385311463 - BOWL MOUNTING HARDWARE KIT
8	385880085 - CONTROL MODULE 12/24VDC (DBL)
9	385312038 - DISCHARGE TUBE **Includes Anti-Siphon.
10	385880070 - DISCHARGE TUBE VALVE ADAPTER
11	385311620 - 1-1/2" CHECK VALVE
12	385311315 - 1-1/2" PUMP OUTLET FITTING
13	385880072 - 1" VALVE ADAPTER
14	385880071 - 1-1/2" VALVE ADAPTER ELBOW
15	385880068 - MOTOR/MACERATOR ASSY - 12VDC 385880069 - MOTOR/MACERATOR ASSY - 24VDC
16	385880067 - BOWL OUTLET ELBOW
17	385880083 - MOTOR/PUMP MOUNTING STRAP
18	313600021 - DOMETIC TOUCHPAD FLUSH SWITCH - WHITE 313600022 - DOMETIC TOUCHPAD FLUSH SWITCH - BLACK
19*	313409010 - DOMETIC FLUSH CONTROL - STD GRAY 313409020 - DOMETIC FLUSH CONTROL - STD WHITE
20*	313409030 - DOMETIC FLUSH CONTROL-PLAYBUS GRAY
NOT SHOWN	385880081 - V/MAR/GEISS FLUSH SWITCH WIRE HARNESS 385880082 - DOMETIC TOUCHPAD FLUSH SWITCH CABLE

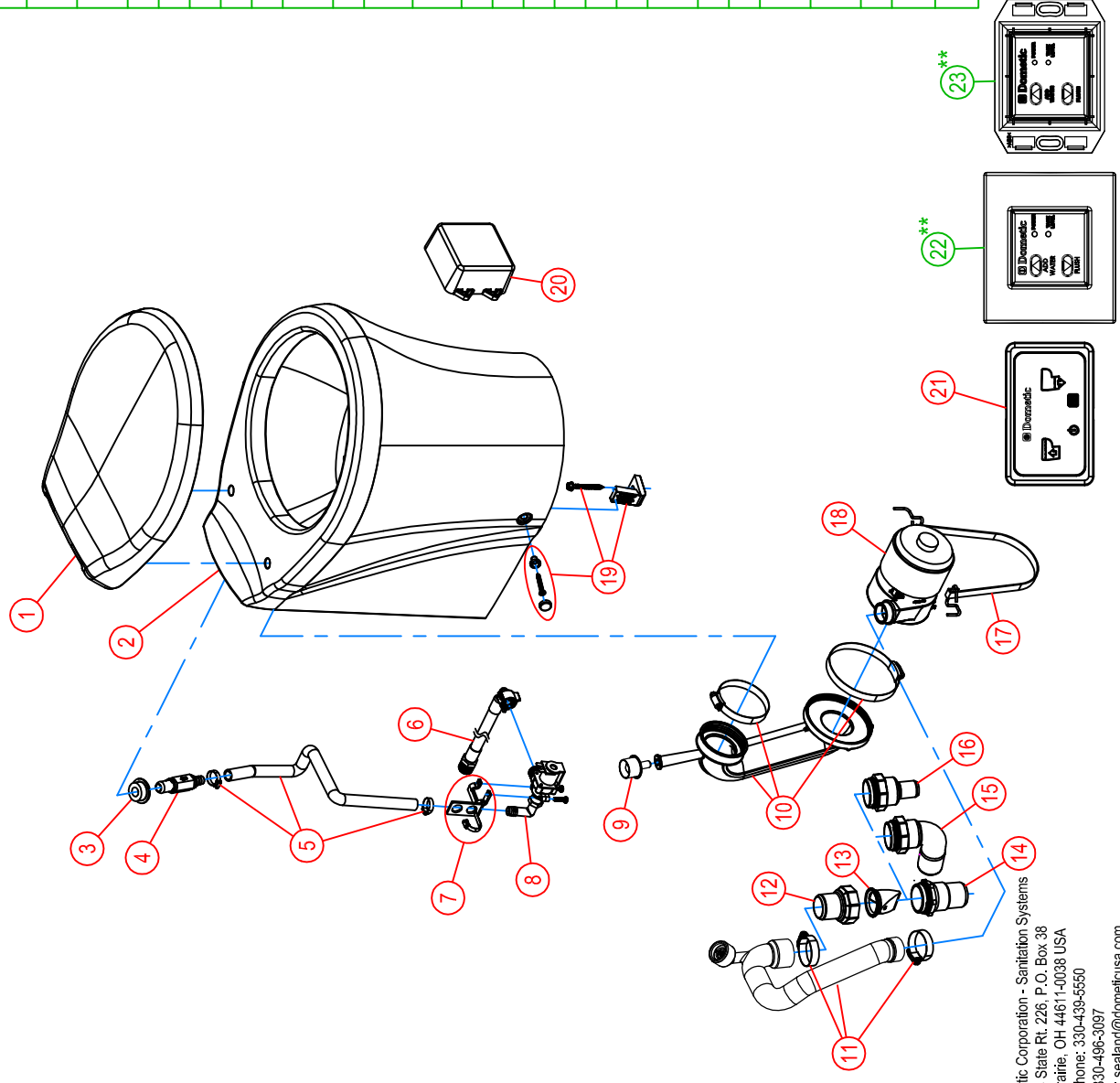


Dometic Corporation - Sanitation Systems  
 13128 State Rt. 226, P.O. Box 38  
 Big Prairie, OH 44611-0038 USA  
 Telephone: 330-439-5550  
 Fax: 330-496-3097  
 Email: sealand@dometicusa.com

\*Items 19 & 20 are optional accessories sold separately & are not included or provided with every model.

# PARTS LIST: 8600 TALL SERIES

ITEM	PART NUMBER & DESCRIPTION
1	385311618 SEAT/COVER SLOW CLOSE - WHITE 385311383 SEAT/COVER - BONE
2	385311758 8600 TALL SERIES BOWL KIT - WHITE 385311759 8600 TALL SERIES BOWL KIT - BONE
3	385311164 1/2" SEALING GROMMET
4	385311456 CHECKVALVE REPLACEMENT
5	385345277 BOWL WATER SUPPLY HOSE
6	385311547 WATER SUPPLY HOSE REPLACEMENT
7	385311705 WATER VALVE MOUNTING BRACKET KIT
8	385311545 WATER VALVE KIT - 12VDC 385311546 WATER VALVE KIT - 24VDC
9	385312013 BOWL OUTLET TUBE FLAPPER VALVE
10	385311761 BOWL OUTLET TUBE **INCLUDES ITEM 9.
11	385311760 DISCHARGE TUBE - 8600 TALL SERIES **INCLUDES ANTISIPHON VALVE.
12	385311070 DISCHARGE TUBE VALVE ADAPTER
13	385311620 1-1/2" CHECK VALVE
14	385311315 1-1/2" VALVE ADAPTER
15	385880071 1-1/2" VALVE ADAPTER ELBOW
16	385880072 1" VALVE ADAPTER
17	385311762 MOTOR/MAC MOUNTING STRAP
18	385880068 MOTOR/MACERATOR ASSY - 12VDC 385880069 MOTOR/MACERATOR ASSY - 24VDC
19	385311463 BOWL MOUNTING HARDWARE KIT
20	385311875 CONTROL MODULE 12/24VDC (DBH)
21	313600021 DOMETIC TOUCHPAD FLUSH SWITCH - WHITE 313600022 DOMETIC TOUCHPAD FLUSH SWITCH - BLACK
22**	313409010 DOMETIC FLUSH CONTROL-STD GRAY 313409020 DOMETIC FLUSH CONTROL-STD WHITE
23**	313409030 DOMETIC FLUSH CONTROL-PLAYBUS GRAY
NOT SHOWN	385880082 DOMETIC TOUCHPAD FLUSH SWITCH CABLE
NOT SHOWN	385880081 VIMAR/GEWISS FLUSH SWITCH WIRE HARNESS



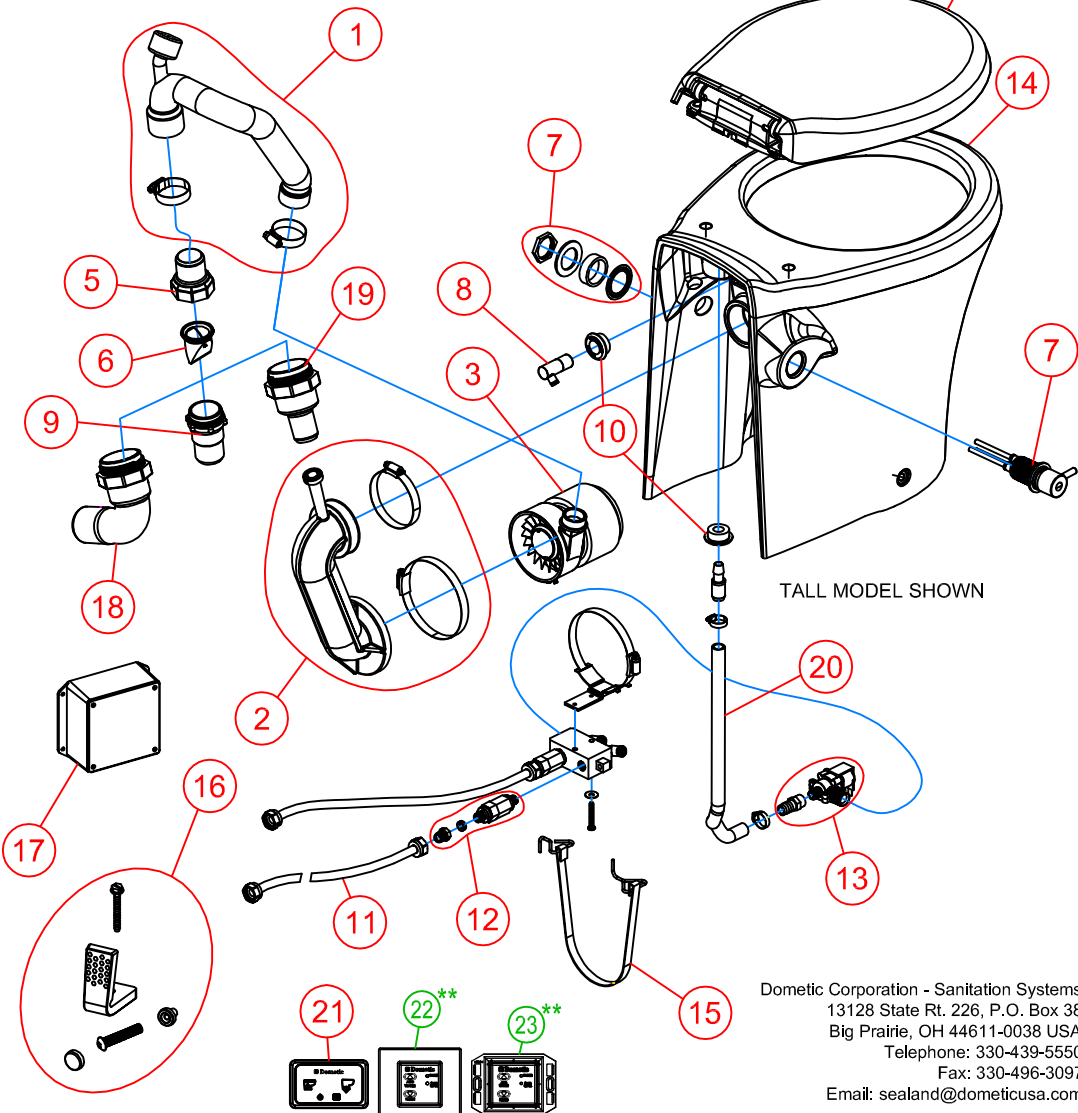
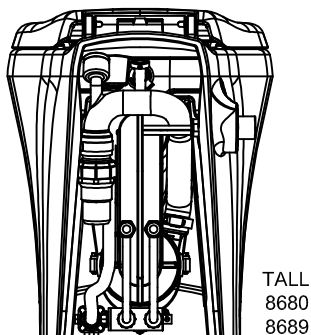
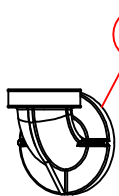
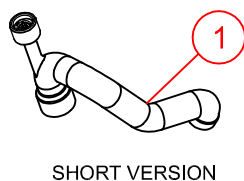
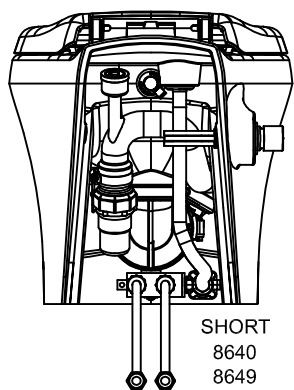
**\*\* ITEMS 22 & 23:  
ARE OPTIONAL ACCESSORIES SOLD SEPARATELY & ARE NOT  
INCLUDED OR PROVIDED WITH EVERY MODEL.**

Domestic Corporation - Sanitation Systems  
13128 Slate Rt. 226, P.O. Box 38  
Big Prairie, OH 44611-0038 USA  
Telephone: 330-439-5550  
Fax: 330-496-3097  
Email: sealand@dometicusa.com

# PARTS LIST: 8600 SERIES WITH BIDET

ITEM	PART NO.	DESCRIPTION	ITEM	PART NO.	DESCRIPTION
1	385880065	KIT, TUBE OUTLET SHORT M'FLUSH	12	385311727	KIT, BIDET CHECKVALVE
	385311760	KIT, PUMP OUTLET TUBE-8600	13	385311851	KIT, W'VALVE 12V-8640/49/80/89
2	385880067	KIT, BOWL OUTLET M'FLUSH (SHORT MODEL)	13	385311852	KIT, W'VALVE 24V-8640/49/80/89
	385311761	KIT, BOWL OUTLET TUBE- (TALL MODEL)	14	385311853	KIT, BOWL SHORT 8640/8649-WHT
3	385880068	KIT, MOTOR ASSEMBLY 12VDC M'FLUSH	14	385311854	KIT, BOWL TALL 8680/8689-WHT
	385880069	KIT, MOTOR ASSEMBLY 24VDC M'FLUSH	15	385880083	KIT, STRAP MOTOR M'FLUSH
4	385311618	KIT, SEAT/CVR SLOW-CLOSE/WHT	15	385311762	KIT, MOTOR SUPT STRAP-26"
5	385880070	KIT, ADAPTER M'FLUSH	16	385311463	KIT, 4800 CHINA MTG
6	385311620	KIT, DB VALVE 1-1/2"-BLACK (1)	17	385880085	KIT, CONTROL MOD-8600
7	385311721	KIT, BIDET FLUSH VALVE	18	385880071	KIT, 1-1/2" OUTLET EL-M'FLUSH
8	385311722	KIT, BIDET NOZEL	19	385880072	KIT, 1" OUTLET FITTING-M'FLUSH
9	385311315	KIT, NIPPLE-RH THREADS 1-1/2"	20	385345377	KIT, SUPPLY HOSE-WHITE
10	385311164	KIT, SEALING GROMMET 1/2"	21	313600021	DOMETIC TOUCHPAD FLUSH SWITCH-WHITE
11	385311018	KIT, PLUG-IN SUPPLY HOSE		313600022	DOMETIC TOUCHPAD FLUSH SWITCH-BONE
N/S	385880082	KIT, CABLE FLSH SW TOUCHPAD	22**	313409010	DOMETIC FLUSH CONTROL-STD GRAY
				313409020	DOMETIC FLUSH CONTROL-STD WHITE
			23**	313409030	DOMETIC FLUSH CONTROL-PLAYBUS GRAY
			N/S	385880081	KIT, HARNESS FLSH SW VIMAR - GEWISS

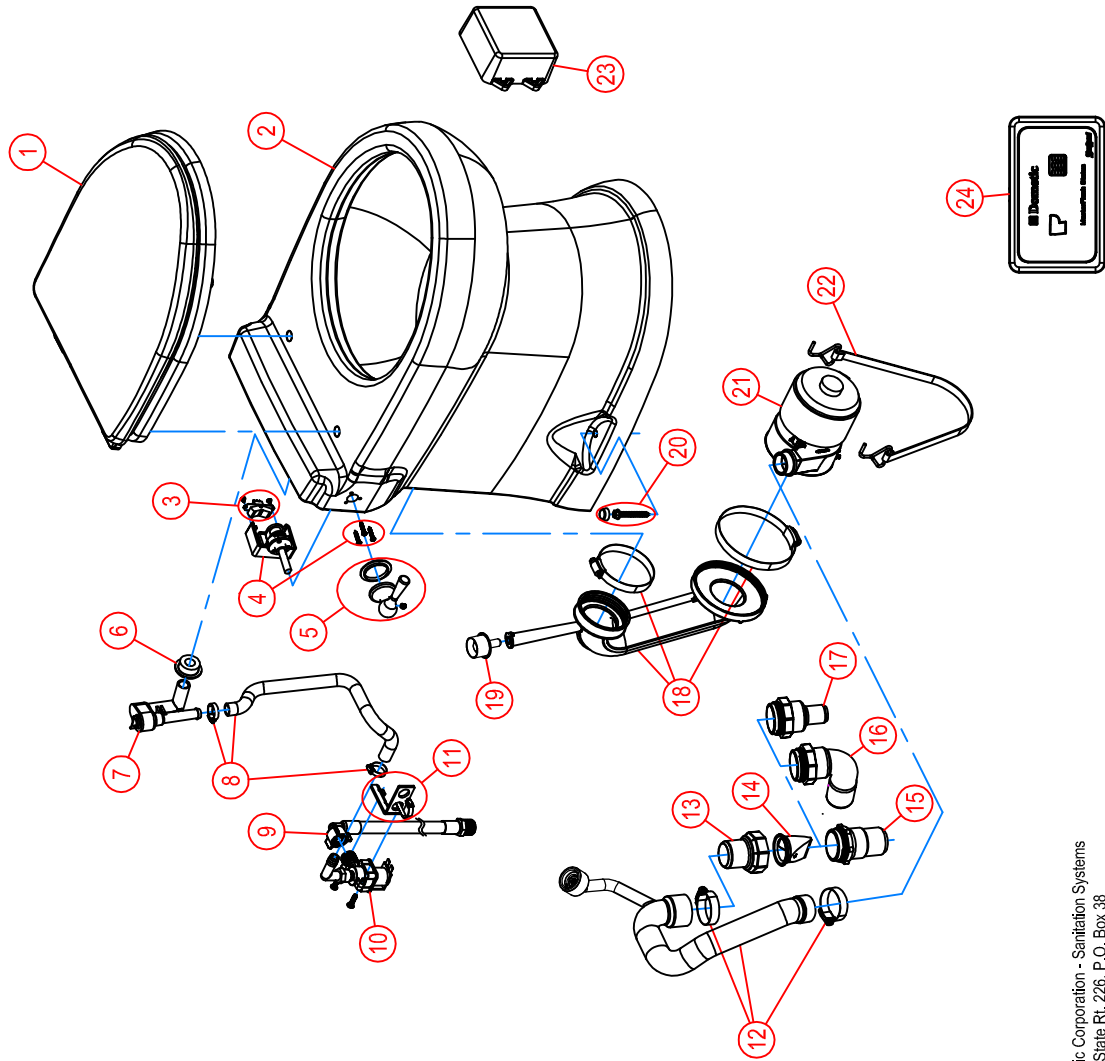
\*\* ITEMS 22 & 23:  
ARE OPTIONAL ACCESSORIES SOLD  
SEPARATELY & ARE NOT INCLUDED OR  
PROVIDED WITH EVERY MODEL.



Dometic Corporation - Sanitation Systems  
13128 State Rt. 226, P.O. Box 38  
Big Prairie, OH 44611-0038 USA  
Telephone: 330-439-5550  
Fax: 330-496-3097  
Email: sealand@dometicusa.com



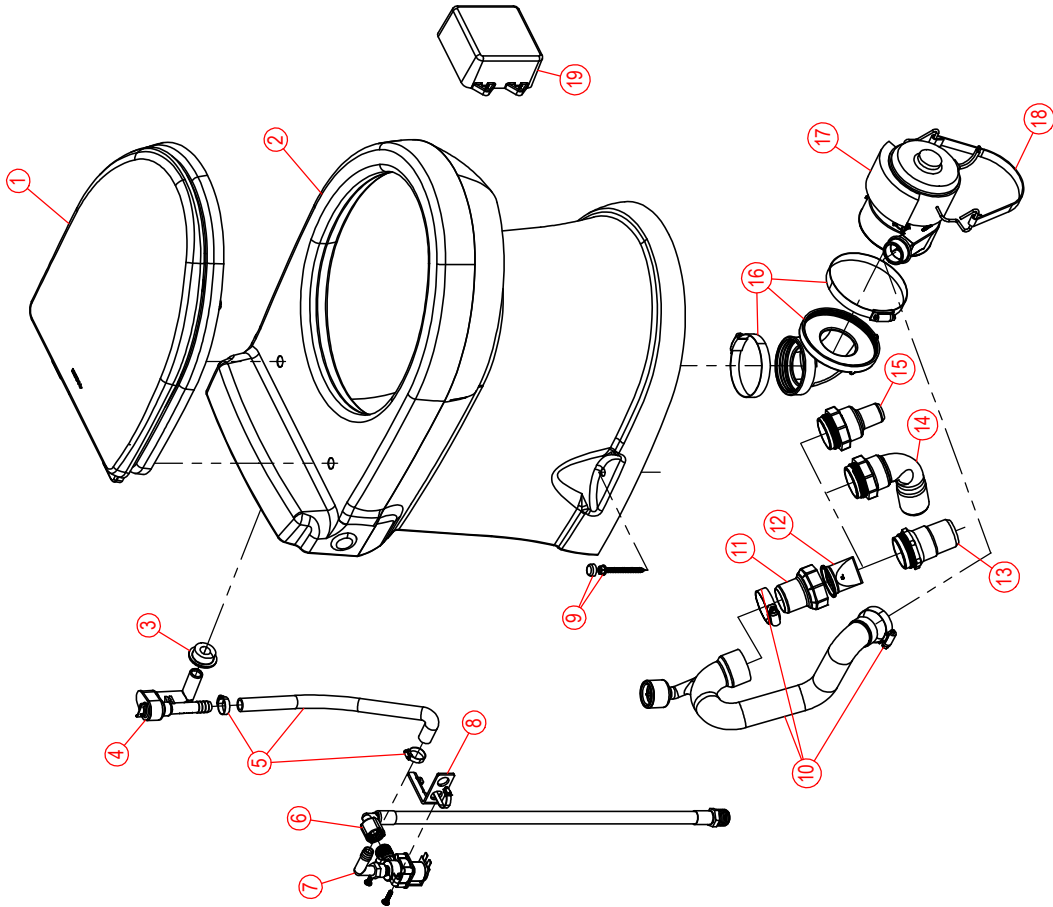
# PARTS LIST: 8700 TALL SERIES w/FLUSH HANDLE



ITEM	PART NUMBER & DESCRIPTION
1	385311005 SEAT/COVER WOOD - WHITE 385311006 SEAT/COVER WOOD - BONE 385311597 SEAT/COVER WOOD - EBONY
2	385311934 8700 SERIES BOWL KIT - WHITE 385311935 8700 SERIES BOWL KIT - BONE 385311936 8700 SERIES BOWL KIT - EBONY
3	385311703 FLUSH HANDLE SWITCH w/WIRING HARNESS
4	385311704 FLUSH HANDLE ASSEMBLY **INCLUDES ITEM 3.
5	385310962 FLUSH HANDLE KIT - CHROME 385310963 FLUSH HANDLE KIT - GOLD 385311141 FLUSH HANDLE KIT - NICKLE
6	385311164 1/2" SEALING GROMMET
7	385316906 VACUUM BREAKER KIT **INCLUDES ITEM 6.
8	385345377 BOWL WATER SUPPLY HOSE
9	385311547 WATER SUPPLY HOSE REPLACEMENT
10	385311545 WATER VALVE KIT - 12VDC 385311546 WATER VALVE KIT - 24VDC
11	385311705 WATER VALVE MOUNTING BRACKET KIT
12	385311706 DISCHARGE TUBE - 8700 SERIES **INCLUDES ANTI-SIPHON VALVE.
13	385880070 DISCHARGE TUBE VALVE ADAPTER
14	385311620 1-1/2" CHECK VALVE
15	385311315 1-1/2" VALVE ADAPTER
16	385880071 1-1/2" VALVE ADAPTER ELBOW
17	385880072 1" VALVE ADAPTER
18	385311708 BOWL OUTLET TUBE **INCLUDES ITEM 19.
19	385312013 BOWL OUTLET TUBE FLAPPER VALVE
20	385311022 BOWL MOUNTING HARDWARE
21	385880068 MOTOR/MACERATOR ASSY - 12VDC 385880069 MOTOR/MACERATOR ASSY - 24VDC
22	385311779 MOTOR/MAC MOUNTING STRAP
23	385311875 CONTROL MODULE 12/24VDC (DBH)
24	313722000 DOMETIC MASTERFLUSH STATUS PANEL-BLACK 313722001 DOMETIC MASTERFLUSH STATUS PANEL-WHITE
NOT SHOWN	385311781 FLUSH SWITCH WIRE HARNESS - 8700 SERIES

Domestic Corporation - Sanitation Systems  
13128 State Rt. 226, P.O. Box 38  
Big Prairie, OH 44611-0038 USA  
Telephone: 330-439-5550  
Fax: 330-496-3097  
Email: sealand@dometicusa.com

# PARTS LIST: 8700 TALL SERIES w/ FLUSH SWITCH VERSION

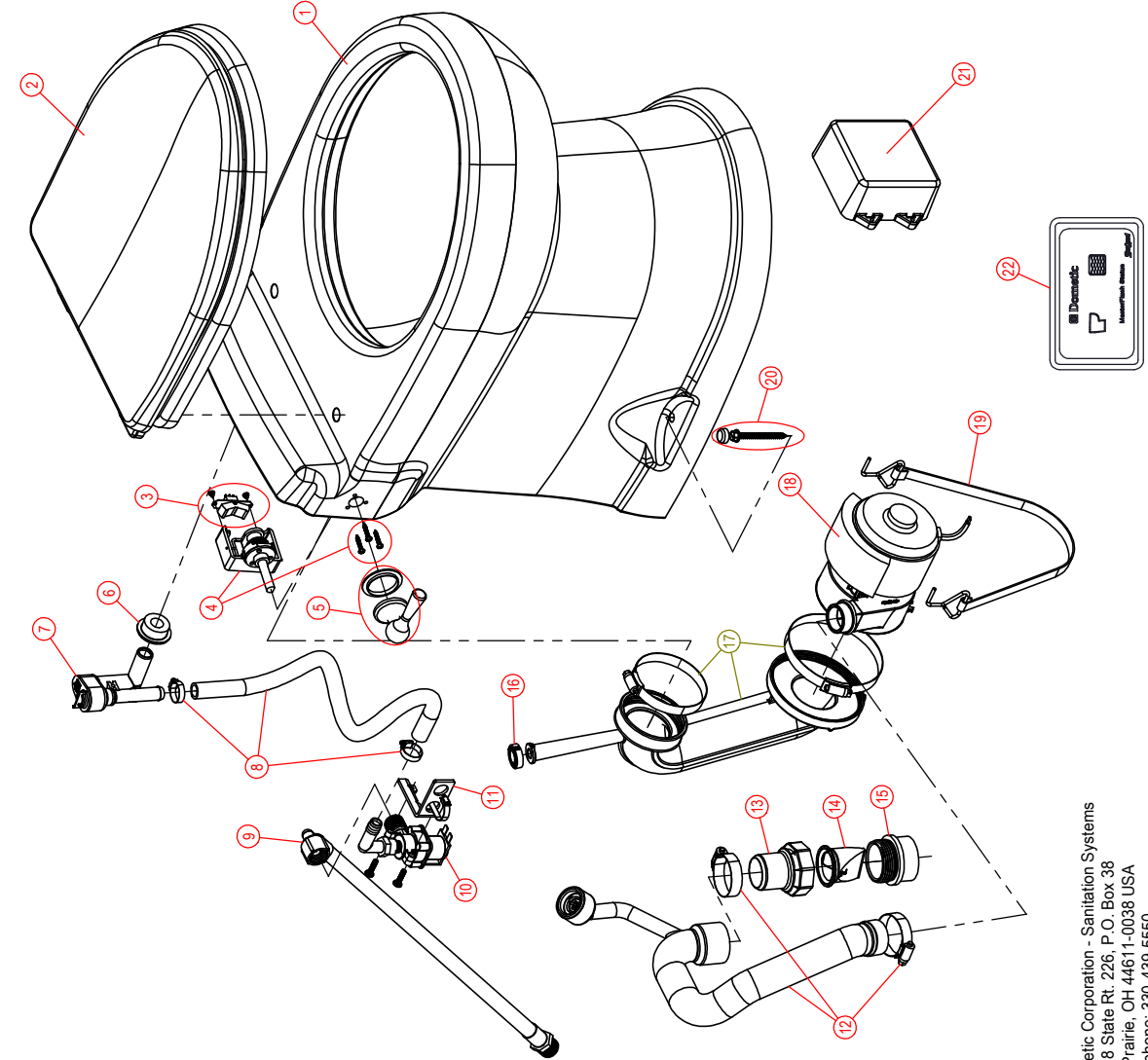


ITEM	PART NUMBER & DESCRIPTION
1	385311005 - SEAT/COVER WOOD - WHITE 385311006 - SEAT/COVER WOOD - BONE 385311597 - SEAT/COVER WOOD - EBONY
2	385312023 - 8700 BOTTOM DISCHARGE BOWL KIT-WHITE 385312024 - 8700 BOTTOM DISCHARGE BOWL KIT-BONE 385312025 - 8700 BOTTOM DISCHARGE BOWL KIT-EBONY
3	385311164 - 1/2" SEALING GROMMET
4	385316906 - VACUUM BREAKER KIT **Includes Item #6.
5	385345377 - BOWL WATER SUPPLY HOSE **Includes Hose Clamps.
6	385311547 - WATER SUPPLY HOSE REPLACEMENT
7	385311545 - WATER VALVE KIT - 12VDC 385311546 - WATER VALVE KIT - 24VDC
8	385311705 - WATER VALVE MOUNTING BREAKER KIT
9	385311022 - BOWL MOUNTING HARDWARE
10	385311778 - DISCHARGE TUBE KIT **Includes Anti-Siphon Valve
11	385880070 - DISCHARGE TUBE VALVE ADAPTER
12	385311620 - 1-1/2" CHECK VALVE
13	385311315 - 1-1/2" VALVE ADAPTER
14	385880071 - 1-1/2" VALVE ADAPTER ELBOW
15	385880072 - 1" VALVE ADAPTER
16	385880067 - BOWL OUTLET ELBOW
17	385880068 - MOTOR/MACERATOR ASSY - 12VDC 385880069 - MOTOR/MACERATOR ASSY - 24VDC
18	385311779 - MACERATOR PUMP MOUNTING STRAP
19	385880085 - CONTROL MODULE 12/24VDC (DBL)
20	313600021 - DOMETIC TOUCHPAD FLUSH SWITCH - WHITE 313600022 - DOMETIC TOUCHPAD FLUSH SWITCH - BLACK
21**	313409010 - DOMETIC FLUSH CONTROL - STD GRAY 313409020 - DOMETIC FLUSH CONTROL - STD WHITE 313409030 - DOMETIC FLUSH CONTROL-PLAYBUS GRAY
NOT SHOWN	385311781 - FLUSH SWITCH WIRE HARNESS-8700 SERIES

\*\*ITEMS 21:  
ARE OPTIONAL ACCESSORIES SOLD SEPARATELY & ARE NOT  
INCLUDED OR PROVIDED WITH EVERY MODEL.

Domestic Corporation - Sanitation Systems  
13128 State Rt. 226, P.O. Box. 38  
Big Prairie, OH 44611-0038 USA  
Telephone: 330-439-5550  
Fax: 330-496-3097  
Email: sealand@domesticusa.com

**PARTS LIST: 8700 MODEL (304874001)**

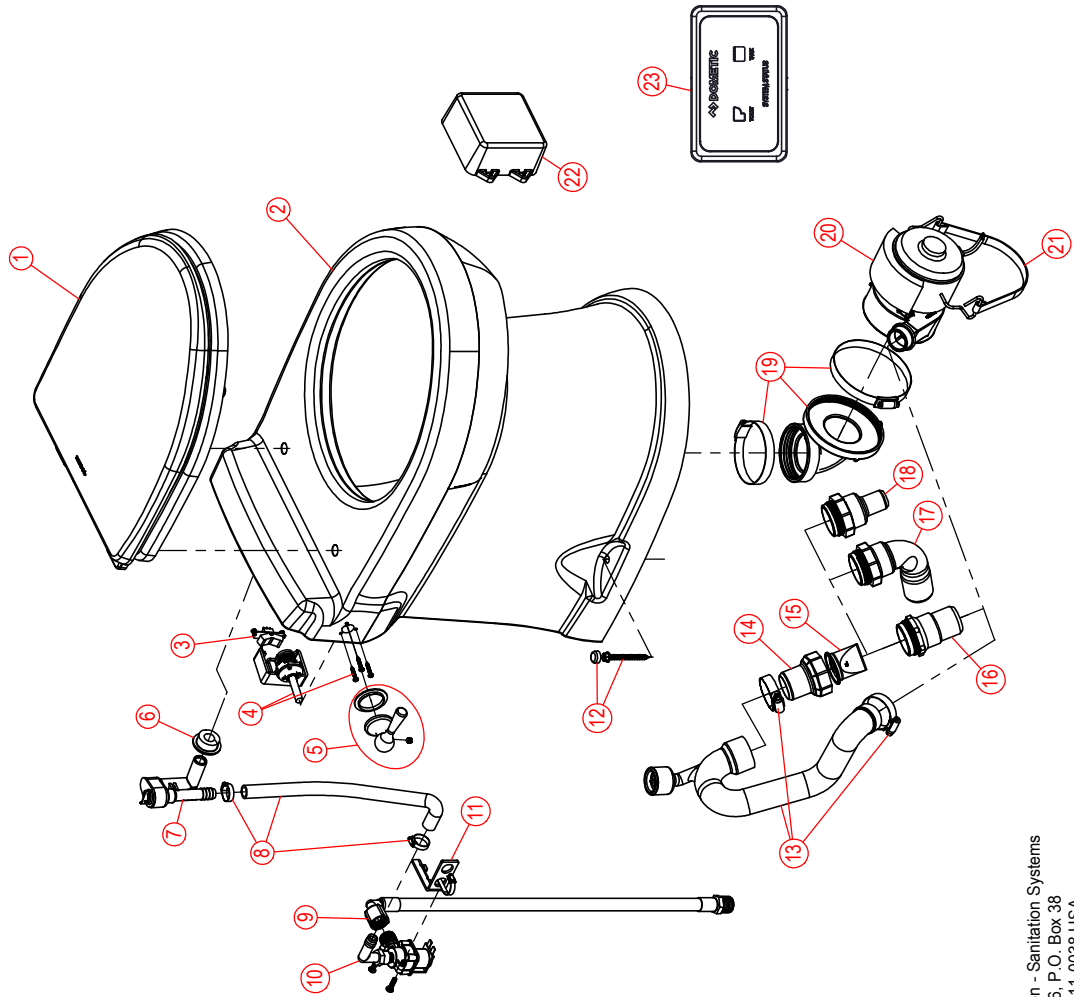


ITEM	PART NUMBER & DESCRIPTION
1	385311935 - 8700 SERIES BOWL KIT - BONE
2	385311006 - SEAT/COVER WOOD - BONE
3	385311703 - FLUSH HANDLE SWITCH w/WIRING HARNESS
4	385311704 - FLUSH HANDLE ASSEMBLY **INCLUDES ITEM #3.
5	385310962 - FLUSH HANDLE (CHORME)
6	385311164 - 1/2" SEALING GROMMET
7	385311906 - VACUUM BREAKER KIT **INCLUDES ITEM #6.
8	385345377 - BOWL WATER SUPPLY HOSE
9	385311547 - WATER SUPPLY HOSE REPLACEMENT
10	385311545 - WATER VALVE KIT - 12VDC
11	385311705 - WATER VALVE MOUNTING BRACKET KIT
12	385311706 - DISCHARGE TUBE - 8700 SERIES **INCLUDES ANTI-SIPHON VALVE.
13	385880070 - DISCHARGE TUBE VALVE ADAPTER
14	385311620 - 1-1/2" CHECK VALVE
15	385311967 - 1-1/2" SPIGOT ADAPTER
16	385311707 - BOWL OUTLET TUBE FLAPPER VALVE
17	385311708 - BOWL OUTLET TUBE **INCLUDES ITEM #16
18	385880068 - MOTOR/MACERATOR ASSY - 12VDC
19	385311779 - MOTOR/MAC MOUNTING STRAP
20	385311022 - BOWL MOUNTING HARDWARE
21	385311875 - CONTROL MODULE 12/24VDC (DBH)
22	313722000 - DOMETIC MASTERFLUSH STATUS PANEL-BLK
NOT SHOWN	385311781 - FLUSH SWITCH WIRE HARNESS - 8700 SERIES

Dometic Corporation - Sanitation Systems  
 13128 State Rt. 226, P.O. Box 38  
 Big Prairie, OH 44611-0038 USA  
 Telephone: 330-439-5550  
 Fax: 330-496-3097  
 Email: sealand@dometicus.com

# PARTS LIST: 8700 TALL SERIES w/ FLUSH HANDLE VERSION

ITEM	PART NUMBER & DESCRIPTION
1	385311005 - SEAT/COVER WOOD - WHITE 385311006 - SEAT/COVER WOOD - BONE 385311597 - SEAT/COVER WOOD - EBONY
2	385312023 - 8700 BOTTOM DISCHARGE BOWL KIT-WHITE 385312024 - 8700 BOTTOM DISCHARGE BOWL KIT-BONE 385312025 - 8700 BOTTOM DISCHARGE BOWL KIT-EBONY
3	385311703 - FLUSH HANDLE SWITCH w/WIRING HARNESS
4	385311704 - FLUSH HANDLE ASSEMBLY **Includes Item #3.
5	385310962 - FLUSH HANDLE KIT - CHROME 385310963 - FLUSH HANDLE KIT - GOLD 385311141 - FLUSH HANDLE KIT - NICKLE
6	385311164 - 1/2" SEALING GROMMET
7	385316906 - VACUUM BREAKER KIT **Includes Item #6.
8	385345377 - BOWL WATER SUPPLY HOSE **Includes Hose Clamps.
9	385311547 - WATER SUPPLY HOSE REPLACEMENT
10	385311545 - WATER VALVE KIT - 12VDC 385311546 - WATER VALVE KIT - 24VDC
11	385311705 - WATER VALVE MOUNTING BREAKER KIT
12	385311022 - BOWL MOUNTING HARDWARE
13	385311778 - DISCHARGE TUBE KIT **Includes Anti-Siphon Valve
14	385880070 - DISCHARGE TUBE VALVE ADAPTER
15	385311620 - 1-1/2" CHECK VALVE
16	385311315 - 1-1/2" VALVE ADAPTER
17	385880071 - 1-1/2" VALVE ADAPTER ELBOW
18	385880072 - 1" VALVE ADAPTER
19	385880067 - BOWL OUTLET ELBOW
20	385880068 - MOTOR/MACERATOR ASSY - 12VDC 385880069 - MOTOR/MACERATOR ASSY - 24VDC
21	385311779 - MACERATOR PUMP MOUNTING STRAP
22	385880085 - CONTROL MODULE 12/24VDC (DBL)
23**	313722000 - DOMETIC MASTERFLUSH STATUS PNL-BLK
NOT SHOWN	385311781 - FLUSH SWITCH WIRE HARNESS-8700 SERIES

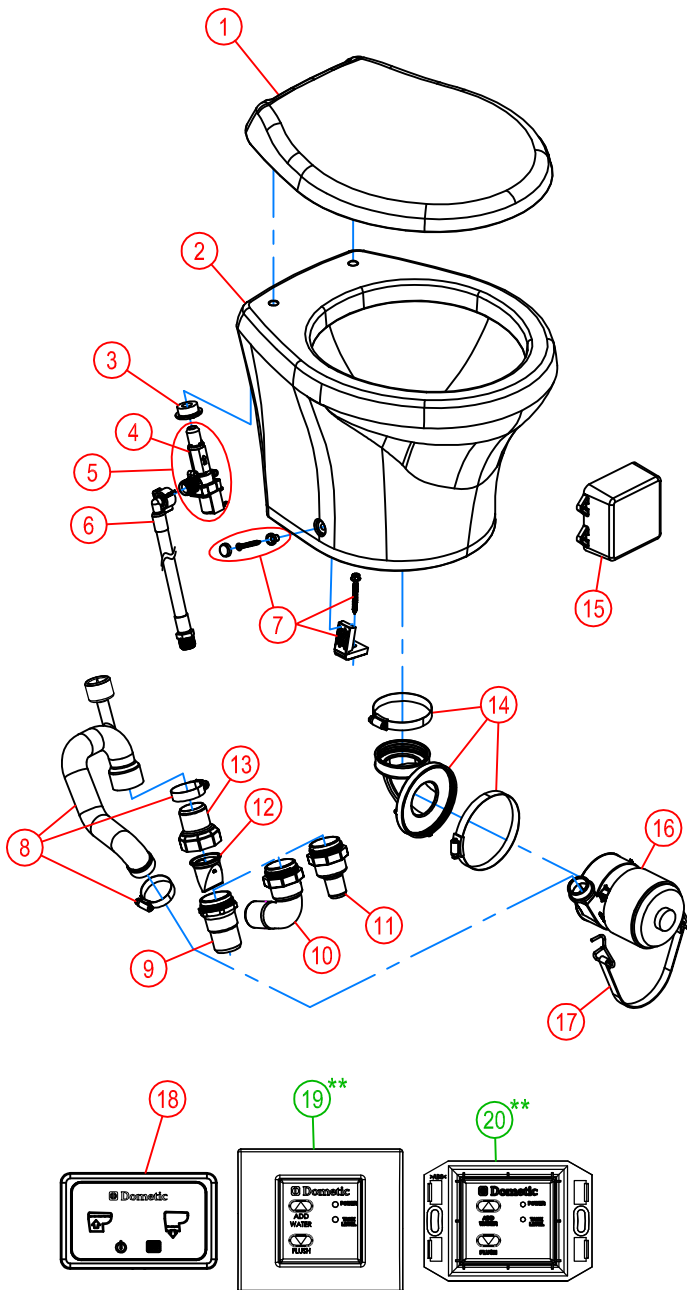


\*\*ITEM 23: OPTIONAL ACCESSORIES SOLD SEPARATELY & ARE NOT INCLUDED OR PROVIDED WITH EVERY MODEL.

Dometic Corporation - Sanitation Systems  
13128 State Rt. 226, P.O. Box 36  
Big Prairie, OH 44611-0038 USA  
Telephone: 330-439-5550  
Fax: 330-496-3097  
Email: sealand@dometicusa.com

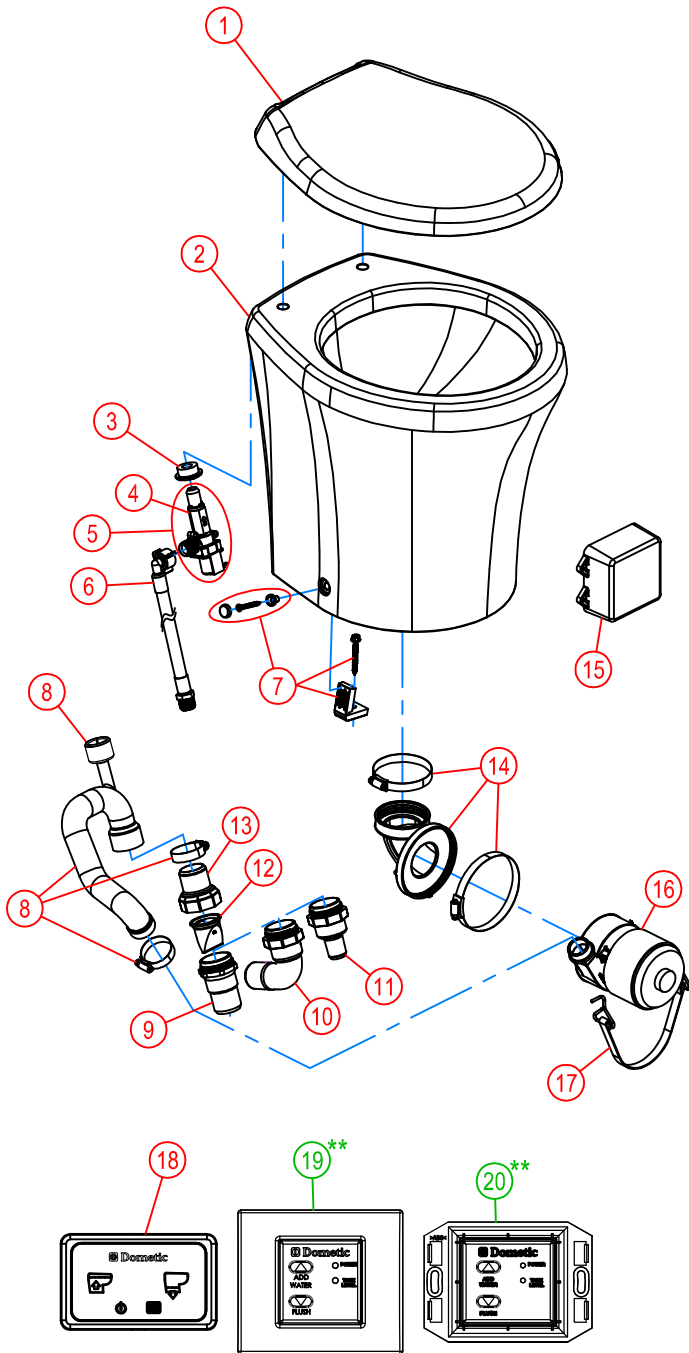
# PARTS LIST: 8900 LOW-PROFILE SERIES

ITEM	PART NUMBER & DESCRIPTION
1	385311618 SEAT/COVER SLOW CLOSE - WHITE
	385311619 SEAT/COVER SLOW CLOSE - BONE
	385311694 SEAT/COVER WOOD - WHITE
	385311695 SEAT/COVER WOOD - BONE
2	385880076 8900 SHORT SERIES BOWL KIT - WHITE
	385880077 8900 SHORT SERIES BOWL KIT - BONE
3	385311164 1/2" SEALING GROMMET
4	385880073 CHECKVALVE REPLACEMENT
5	385880074 WATER VALVE KIT - 12VDC
	385880075 WATER VALVE KIT - 24VDC **INCLUDES ITEM 3 & 4.
6	385311547 WATER SUPPLY HOSE REPLACEMENT
7	385311463 BOWL MOUNTING HARDWARE KIT
8	385880065 DISCHARGE TUBE - SHORT SERIES **INCLUDES ANTI-SIPHON.
9	385311315 1-1/2" VALVE ADAPTER
10	385880071 1-1/2" VALVE ADAPTER ELBOW
11	385880072 1" VALVE ADAPTER
12	385311620 1-1/2" CHECK VALVE
13	385880070 DISCHARGE TUBE VALVE ADAPTER
14	385880067 BOWL OUTLET ELBOW
15	385880085 CONTROL MODULE 12/24VDC (DBL)
16	385880068 MOTOR/MACERATOR ASSY - 12VDC
	385880069 MOTOR/MACERATOR ASSY - 24VDC
17	385880083 MOTOR/MAC MOUNTING STRAP
18	313600021 DOMETIC TOUCHPAD FLUSH SWITCH - WHITE
	313600022 DOMETIC TOUCHPAD FLUSH SWITCH - BLACK
19**	313409010 DOMETIC FLUSH CONTROL-STD GRAY
	313409020 DOMETIC FLUSH CONTROL- STD WHITE
20**	313409030 DOMETIC FLUSH CONTROL-PLAYBUS GRAY
NOT SHOWN	385880082 DOMETIC TOUCHPAD FLUSH SWITCH CABLE
NOT SHOWN	385880081 VIMAR/GEWISS FLUSH SWITCH WIRE HARNESS



**\*\* ITEMS 19 & 20:**  
ARE OPTIONAL ACCESSORIES SOLD SEPARATELY & ARE NOT INCLUDED OR PROVIDED WITH EVERY MODEL.

# PARTS LIST: 8900 TALL SERIES



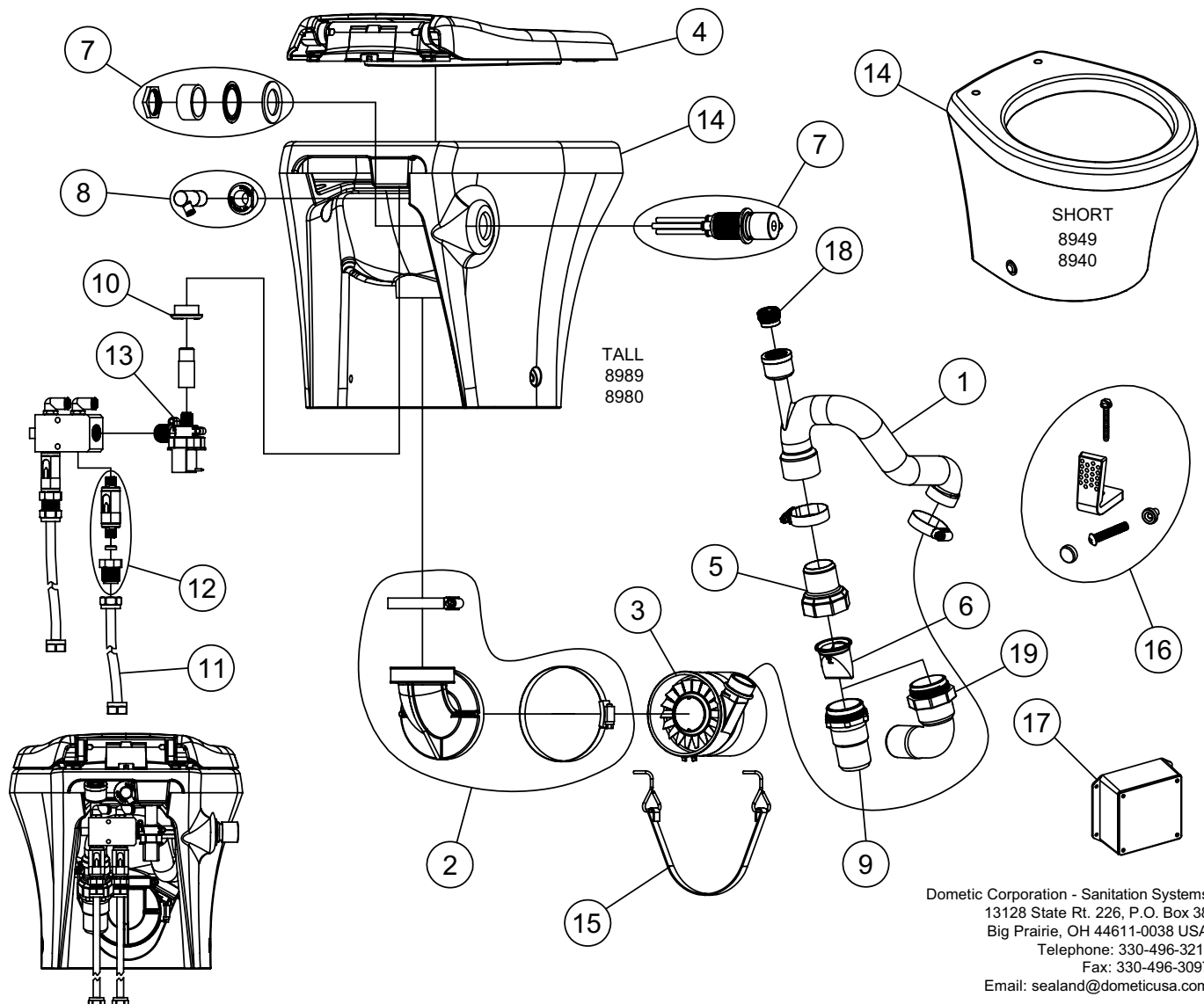
ITEM	PART NUMBER & DESCRIPTION
1	385311618 SEAT/COVER SLOW CLOSE - WHITE
	385311619 SEAT/COVER SLOW CLOSE - BONE
	385311694 SEAT/COVER WOOD - WHITE
	385311695 SEAT/COVER WOOD - BONE
2	385880078 8900 TALL SERIES BOWL KIT - WHITE
	385880079 8900 TALL SERIES BOWL KIT - BONE
3	385311164 1/2" SEALING GROMMET
4	385880073 CHECKVALVE REPLACEMENT
5	385880074 WATER VALVE KIT - 12VDC
	385880075 WATER VALVE KIT - 24VDC **INCLUDES ITEM 3 & 4.
6	385311547 WATER SUPPLY HOSE REPLACEMENT
7	385311463 BOWL MOUNTING HARDWARE KIT
8	385311778 DISCHARGE TUBE - TALL SERIES **INCLUDES ANTI-SIPHON.
9	385311315 1-1/2" VALVE ADAPTER
10	385880071 1-1/2" VALVE ADAPTER ELBOW
11	385880072 1" VALVE ADAPTER
12	385311620 1-1/2" CHECK VALVE
13	385880070 DISCHARGE TUBE VALVE ADAPTER
14	385880067 BOWL OUTLET ELBOW
15	385880085 CONTROL MODULE 12/24VDC (DBL)
16	385880068 MOTOR/MACERATOR ASSY - 12VDC
	385880069 MOTOR/MACERATOR ASSY - 24VDC
17	385880083 MOTOR/MAC MOUNTING STRAP
18	313600021 DOMETIC TOUCHPAD FLUSH SWITCH - WHITE
	313600022 DOMETIC TOUCHPAD FLUSH SWITCH - BLACK
19**	313409010 DOMETIC FLUSH CONTROL-STD GRAY
	313409020 DOMETIC FLUSH CONTROL- STD WHITE
20**	313409030 DOMETIC FLUSH CONTROL-PLAYBUS GRAY
NOT SHOWN	385880082 DOMETIC TOUCHPAD FLUSH SWITCH CABLE
NOT SHOWN	385880081 VIMAR/GEWISS FLUSH SWITCH WIRE HARNESS

\*\* ITEMS 19 & 20:  
ARE OPTIONAL ACCESSORIES SOLD SEPARATELY & ARE NOT  
INCLUDED OR PROVIDED WITH EVERY MODEL.



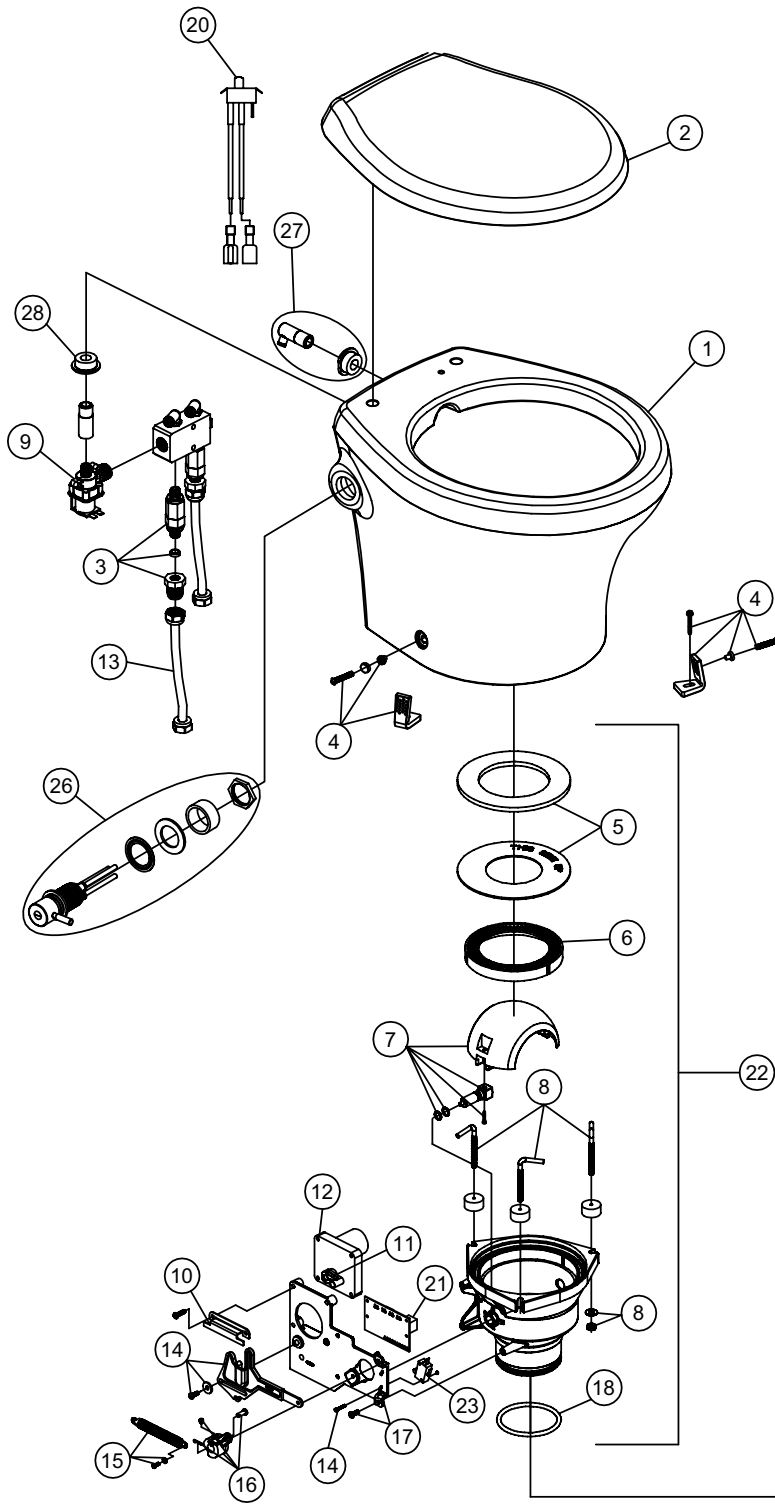
## PARTS LIST: 8900 SERIES WITH BIDET

ITEM	PART NO.	DESCRIPTION	ITEM	PART NO.	DESCRIPTION
1	385880065	KIT, TUBE OUTLET SHORT M'FLUSH	13	385880074	KIT, W'VALVE 12VDC M'FLUSH (INC. 10,12)
2	385880067	KIT, BOWL OUTLET M'FLUSH		385880075	KIT, W'VALVE 24VDC M'FLUSH (INC. 10,12)
3	385880068	KIT, MOTOR ASSEMBLY 12VDC M'FLUSH	14	385311723	KIT, BOWL 8900 SHORT COMBO WHITE
	385880069	KIT, MOTOR ASSEMBLY 24VDC M'FLUSH		385311724	KIT, BOWL 8900 SHORT COMBO BONE
4	385311618	KIT, SEAT/CVR SLOW-CLOSE/WHT		385311725	KIT, BOWL 8900 TALL COMBO WHITE
	385311694	KIT, SEAT-CV'R 4800 WOOD-WHITE		385311726	KIT, BOWL 8900 TALL COMBO BONE
5	385880070	KIT, ADAPTER M'FLUSH	15	385880083	KIT, STRAP MOTOR M'FLUSH
6	385311620	KIT, DB VALVE 1-1/2"-BLACK (1)	16	385311463	KIT, 4800 CHINA MTG
7	385311721	KIT, BIDET FLUSH VALVE	17	385880085	KIT, CONTROLE MODULE 8900 12/24VDC
8	385311722	KIT, BIDET NOZEL	18	385880080	KIT, ANTISIPHON VALVE M'FLUSH
9	385311315	KIT, NIPPLE-RH THREADS	19	385880071	KIT, 1-1/2" OUTLET EL-M'FLUSH
10	385311164	KIT, SEALING GROMMET 1/2"	N/S	385880081	KIT, HARNESS FLSH SW VIMAR - GEWISS
11	385311018	KIT, PLUG-IN SUPPLY HOSE	N/S	385880082	KIT, CABLE FLSH SW TOUCHPAD
12	385311727	KIT, BIDET CHECKVALVE			

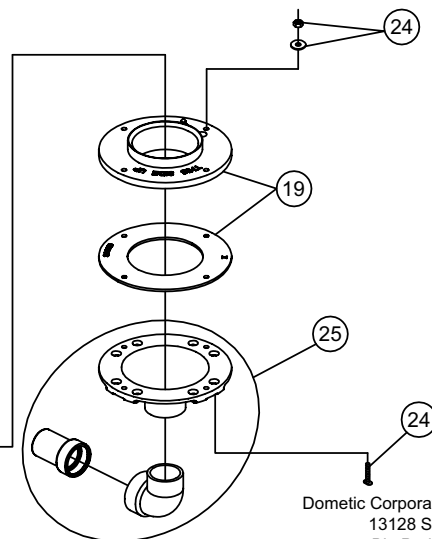


Dometic Corporation - Sanitation Systems  
13128 State Rt. 226, P.O. Box 38  
Big Prairie, OH 44611-0038 USA  
Telephone: 330-496-3211  
Fax: 330-496-3097  
Email: sealand@dometicusa.com

# PARTS LIST: 4826 COMBO BIDET

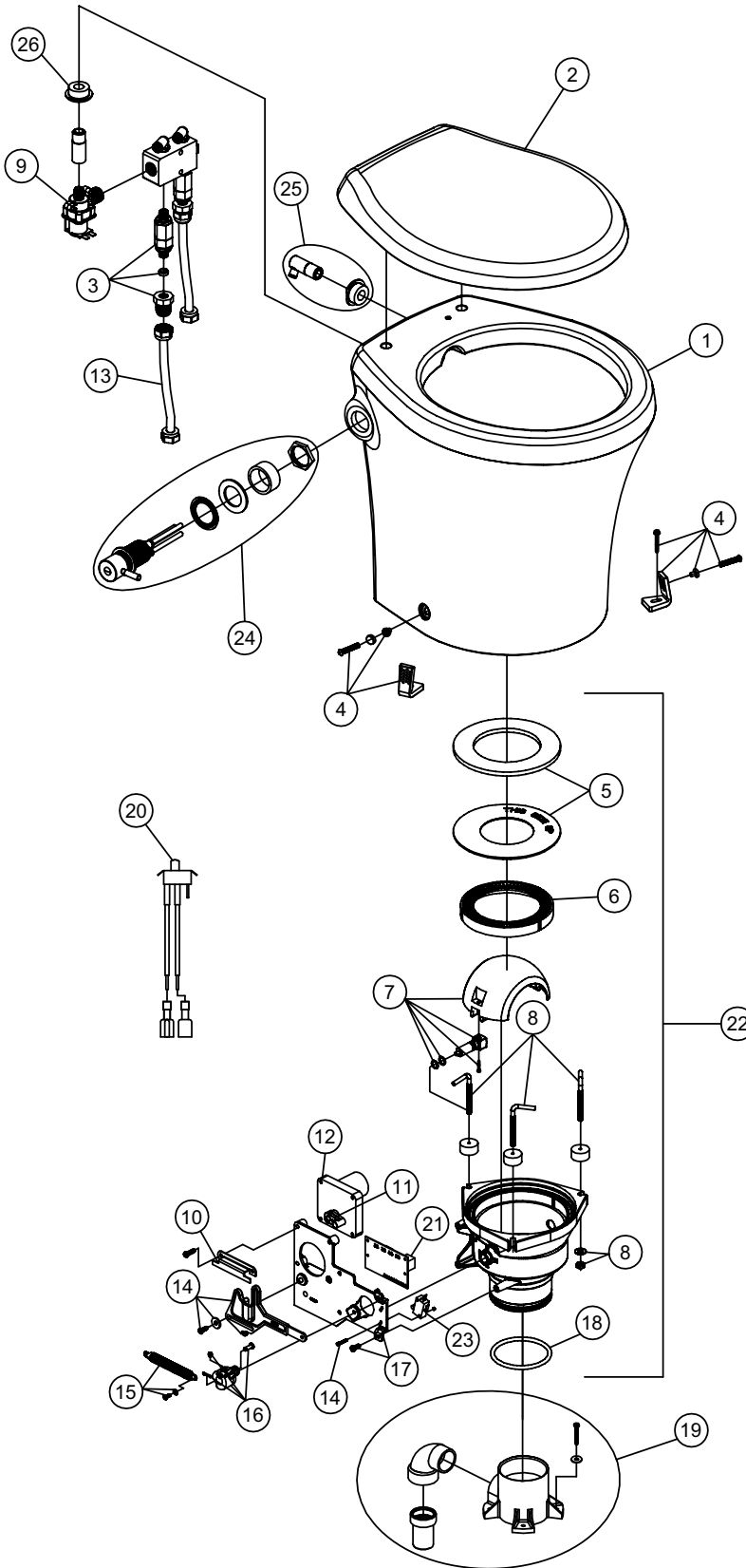


ITEM	PART NUMBER	DESCRIPTION
1	385311746	KIT, BOWL 4800 ST W/BIDET-WHT
	385311747	KIT, BOWL 4800 ST W/BIDET-BONE
2	385311618	KIT, SEAT/CVR SLOW-CLOSE/WHT
	385311383	KIT, SEAT-CV'R 4800-BONE
3	385311727	KIT, BIDET CHECKVALVE
4	385311463	KIT, 4800 CHINA MTG
5	385311009	KIT, SEAL PLUG IN BASE
6	385311292	KIT, BASE RING INSERT
7	385310969	SHAFT/ HALF BALL KIT
8	385311011	L- BOLTS/NUTS /WASH/ PLUG IN BASE
9	385880074	KIT, WATERVALVE 12VDC-MFLUSH
	385880075	KIT, WATERVALVE 24VDC-MFLUSH
10	385311429	KIT, LINKAGE GUIDE BRACKET
11	385311299	KIT, MTR DRIVE ARM 4300/4400
12	385311300	KIT, MOTOR REPL' 4800 (INC. ITEM 11) 12VDC
	385311390	KIT, MOTOR REPL' 4800 (INC. ITEM 11) 24VDC
13	385311018	KIT, PLUG-IN SUPPLY HOSE
14	385311392	KIT, LINKAGE DRIVE 4800
15	3853111393	KIT, FLUSH SPRING 4800
16	385311296	KIT, ROTOR SHAFT CAM 4300/4400
17	385311394	KIT, MTG BRACKET 4800
18	385311294	KIT, O'RING PLUG-IN BASE
19	385311013	KIT, CON'TO FLOOR FLANGE ADPT
20	385311691	KIT, 4800 MODE SWITCH
21	385311690	KIT, CIRUITBD MECHANICAL BASE
THE FOLLOWING BASE KITS CONTAIN ITEMS 5-8,10-12,14-18,21,23		
22	385311740	KIT, BASE 4826 W/BIDET COMP-12
	385311741	KIT, BASE 4826 W/BIDET COMP-24
23	385311003	KIT, CONTO FLUSH SWITCH
24	385310064	KIT, MOUNT-TRAVELER-506/806
25	385318864	KIT, FUNNEL 506/806/706 (INC. 24)
26	385311721	KIT, BIDET FLUSH VALVE
27	385311722	KIT, BIDET NOZZLE
28	385311164	KIT, SEALING GROMMET 1/2"



Dometic Corporation - Sanitation Systems  
13128 State Rt. 226, P.O. Box 38  
Big Prairie, OH 44611-0038 USA  
Telephone: 330-496-3211  
Fax: 330-496-3097  
Email: sealand@dometicusa.com

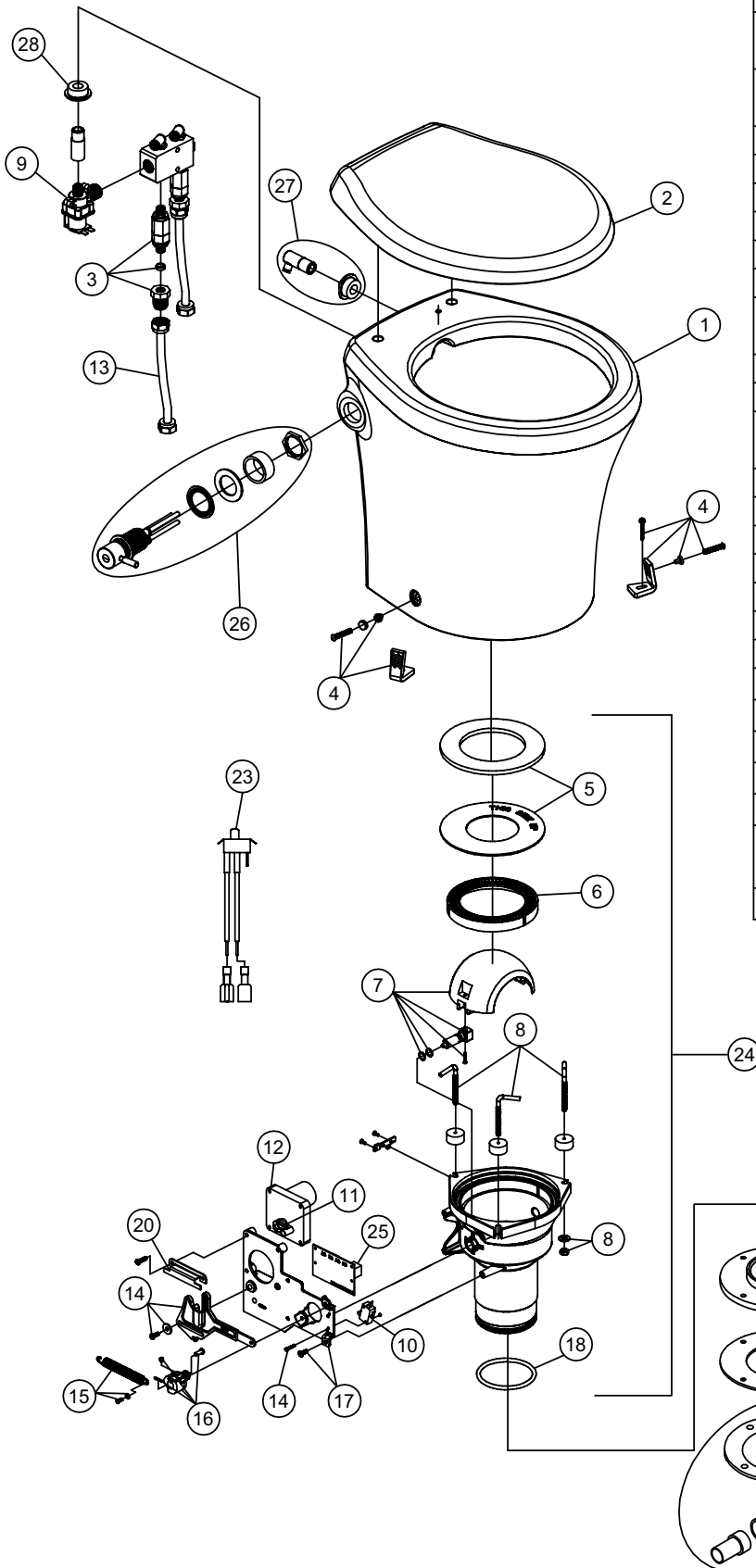
# PARTS LIST: 4828 COMBO BIDET



ITEM	PART NUMBER	DESCRIPTION
1	385311744	KIT, BOWL 4800 TL W/BIDET-WHT
	385311745	KIT, BOWL 4800 TL W/BIDET-BONE
2	385311618	KIT, SEAT/CVR SLOW-CLOSE/WHT
	385311383	KIT, SEAT-CV'R 4800-BONE
3	385311727	KIT, BIDET CHECKVALVE
4	385311463	KIT, 4800 CHINA MTG
5	385311009	KIT, SEAL PLUG IN BASE
6	385311292	KIT, BASE RING INSERT
7	385310969	SHAFT/ HALF BALL KIT
8	385311011	L- BOLTS/NUTS /WASH/ PLUG IN BASE
9	385880074	KIT, WATERVALVE 12VDC-M/FLUSH
	385880075	KIT, WATERVALVE 24VDC-M/FLUSH
10	385311429	KIT, LINKAGE GUIDE BRACKET
11	385311299	KIT, MTR DRIVE ARM 4300/4400
12	385311300	KIT, MOTOR REPL 4800 (INC.11) 12VDC
	385311390	KIT, MOTOR REPL 4800 (INC.11) 24VDC
13	385311018	KIT, PLUG-IN SUPPLY HOSE
14	385311392	KIT, LINKAGE DRIVE 4800
15	3853111393	KIT, FLUSH SPRING 4800
16	385311296	KIT, ROTOR SHAFT CAM 4300/4400
17	385311394	KIT, MTG BRACKET 4800 (INC. 10,14-16, 23)
18	385311294	KIT, O'RING PLUG-IN BASE
19	385311056	KIT, PLUGIN BASE '48 ADAPTER
20	385311691	KIT, 4800 MODE SWITCH
21	385311690	KIT, CIRCUITBD MECHANICAL BASE
THE FOLLOWING BASE KITS CONTAIN ITEMS 5-8,10-12,14-18,21,23		
22	385311742	KIT, BASE 4828 W/BIDET COMP-12
	385311743	KIT, BASE 4828 W/BIDET COMP-24
23	385311003	KIT, CON'TO FLUSH SWITCH
24	385311721	KIT, BIDET FLUSH VALVE
25	385311722	KIT, BIDET NOZZLE
26	385311164	KIT, SEALING GROMMET 1/2"

Dometic Corporation - Sanitation Systems  
13128 State Rt. 226, P.O. Box 38  
Big Prairie, OH 44611-0038 USA  
Telephone: 330-496-3211  
Fax: 330-496-3097  
Email: sealand@dometicusa.com

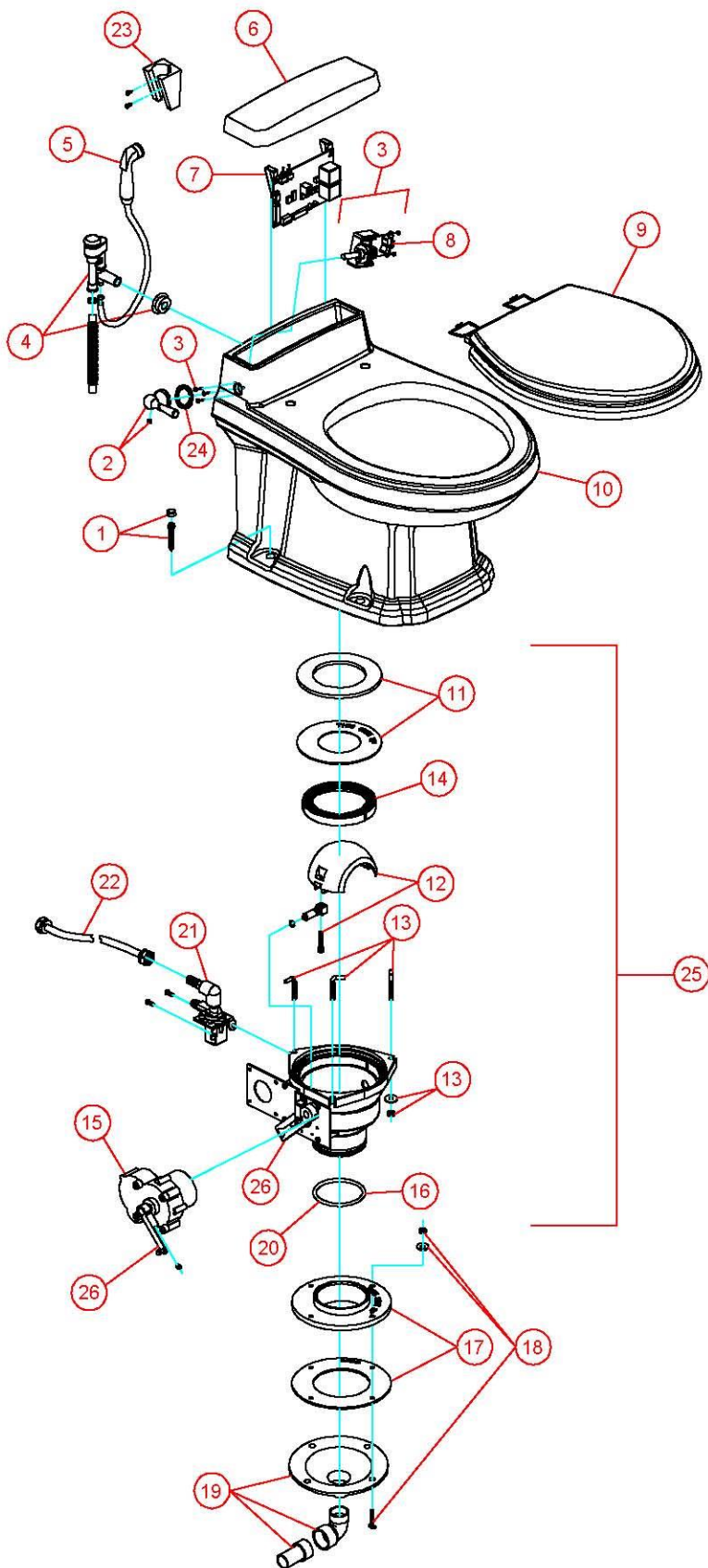
# PARTS LIST: 4829 COMBO BIDET



ITEM	PART NUMBER	DESCRIPTION
1	385311744	KIT, BOWL 4800 TL W/BIDET-WHT
	385311745	KIT, BOWL 4800 TL W/BIDET-BONE
2	385311618	KIT, SEAT/CVR SLOW-CLOSE/WHT
	385311383	KIT, SEAT-CV'R 4800-BONE
3	385311727	KIT, BIDET CHECKVALVE
4	385311463	KIT, 4800 CHINA MTG
5	385311009	KIT, SEAL PLUG IN BASE
6	385311292	KIT, BASE RING INSERT
7	385310969	KIT, MO HALFBL/SHAFT AY-WHT
8	385311011	KIT, CON'TO L-BOLT/NUTS/WSHR
9	385880074	KIT, WATERVALVE 12VDC-MFLUSH
	385880075	KIT, WATERVALVE 24VDC-MFLUSH
10	385311673	KIT, FLUSH ACUATION SWITCH
11	385311299	KIT, MTR DRIVE ARM 4300/4400
12	385311300	KIT, MOTOR REPL 4800 (INC. 11) 12VDC
	385311390	KIT, MOTOR REPL 4800 (INC. 11) 24VDC
13	385311018	KIT, PLUG-IN SUPPLY HOSE
14	385311392	KIT, LINKAGE DRIVE 4800
15	385311393	KIT, FLUSH SPRING 4800
16	385311296	KIT, ROTOR SHAFT CAM 4300/4400
17	385311394	KIT, MTG BRACKET 4800 (INC.10,11,14-16,20)
18	385311294	KIT, O'RING PLUG-IN BASE
19	385318864	KIT, FUNNEL 506/806/706 (INC. ITEM 22)
20	385311429	KIT, LINKAGE GUIDE BRACKET
21	385311013	FLOOR FLANGE ADAPTER KIT (INC.22)
22	385310064	KIT, MOUNT-TRAVELER-506/806
23	385311691	KIT, 4800 MODE SWITCH
THE FOLLOWING BASE KITS CONTAIN ITEMS 5-8,10-12,14-18,20,25		
24	385311738	KIT, BASE 4829 W/BIDET COMP-12
	385311739	KIT, BASE 4829 W/BIDET COMP-24
25	385311690	KIT, CIRUITBD MECHANICAL BASE

Dometic Corporation - Sanitation Systems  
13128 State Rt. 226, P.O. Box 38  
Big Prairie, OH 44611-0038 USA  
Telephone: 330-496-3211  
Fax: 330-496-3097  
Email: sealand@dometicusa.com

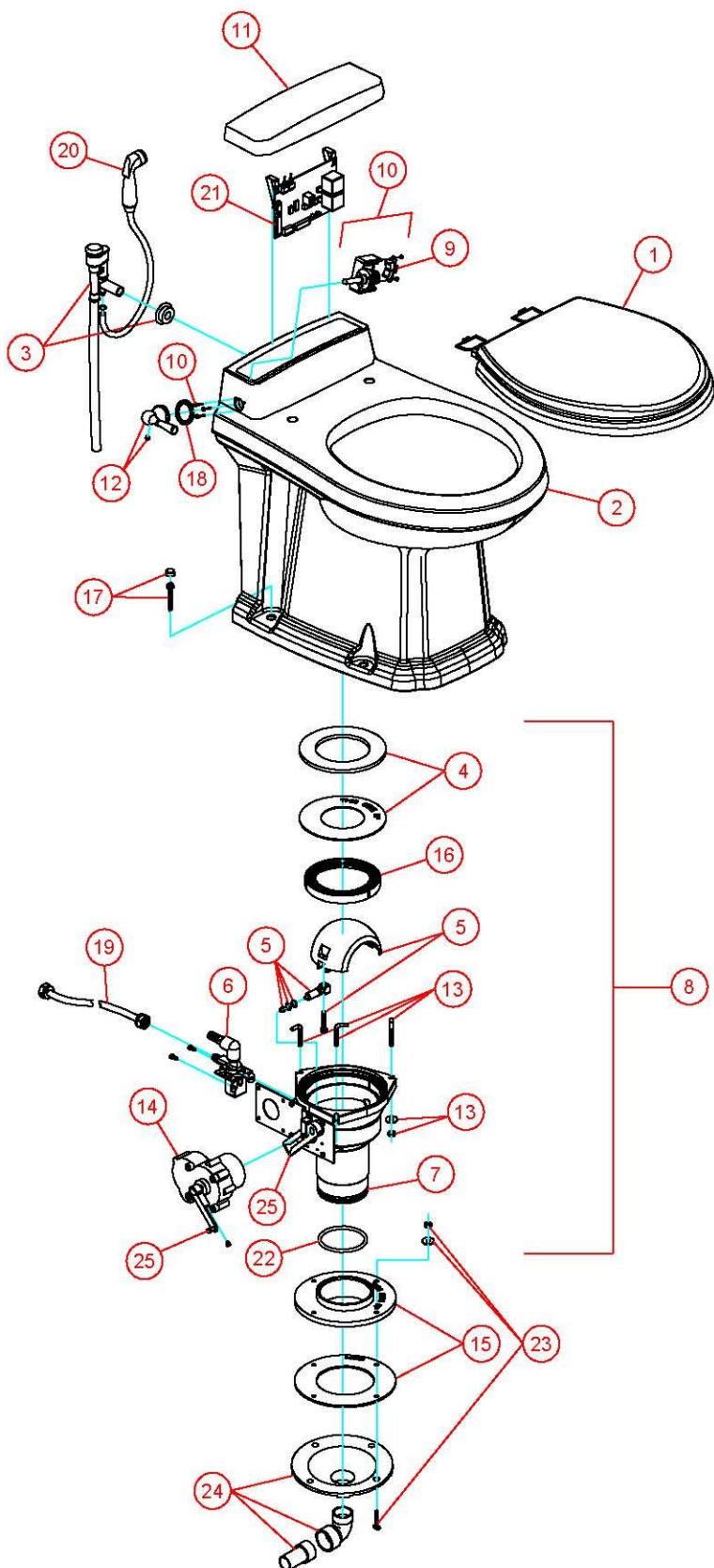
# PARTS LIST: 3006



ITEM	3006	DESCRIPTION
1	385310813	CHINA BOWL MOUNTING KIT, CHROME
	385310814	CHINA BOWL MOUNTING KIT, GOLD
2	385310962	FLUSH HANDLE WITH SET SCREW, CHROME
	385310963	FLUSH HANDLE WITH SET SCREW, GOLD
3	385310964	FLUSH CONTROL ASSY (INCLUDES CABLE)
4	385310807	VACUUM BREAKER ASSEMBLY
	385310808	VACUUM BREAKER ASSY-HAND SPRAY MODEL
5	385310809	HAND SPRAY; WHITE, BONE, PLATINUM
	385310873	HAND SPRAY; EBONY
6	385310851	ACCESS COVER, WHITE
	385310852	ACCESS COVER, BONE
	385310866	ACCESS COVER, EBONY
7	385310888	CONTROL MODULE KIT-12VDC (VFLUSH MODELS)
	385310890	CONTROL MODULE KIT-24VDC (VFLUSH MODELS)
8	385310965	KIT, ROCKER SWITCH w/CABLE
9	385344022	SEAT & COVER, WHITE
	385344023	SEAT & COVER, BONE
	385344025	SEAT & COVER, EBONY
10	385310857	CHINA BOWL, WHITE
	385310858	CHINA BOWL, BONE
	385310872	CHINA BOWL, EBONY
11	385311009	KIT, PLUG IN BASE SEALS
12	385310969	SHAFT/HALF BALL KIT WHITE
	385310971	SHAFT/HALF BALL KIT EBONY
13	385311011	KIT, CON'TO L-BOLT/NUTS/WSHR
14	385311292	KIT, BASE RING INSERT
15	385310822	MOTOR & MOUNTING HARDWARE (12VDC)
	385310846	MOTOR & MOUNTING HARDWARE (24VDC)
16	385311294	KIT, O'RING PLUG-IN BASE
17	385311013	KIT, CON'TO FLOOR FLANGE ADPT
18	385310064	KIT, MOUNT-TRAVELER-506/806
19	385318864	KIT, FUNNEL 506-706-806 (inc. item 18)
20	385311053	KIT, BASE '06 PLUGIN (inc. items 11-14, 16)
21	385310821	WATER VALVE w/MOUNTING SCREWS (12VDC)
	385310845	WATER VALVE w/MOUNTING SCREWS (24VDC)
22	385311018	SUPPLY HOSE
23	385311131	SPRAY BRACKET CHROME
	385311125	SPRAY BRACKET EBONY
24	600344695	WASHER, FLUSH HANDLE
25	385311312	KIT, BASE 3606 PLUGIN CPT 12V
	385311313	KIT, BASE 3606 PLUGIN CPT 24V
26	385311417	KIT, BASE DRIVE ARMS
N/S	385310854	ACCESS COVER MOUNTING KIT



# PARTS LIST: 3009 PLUG IN BASE

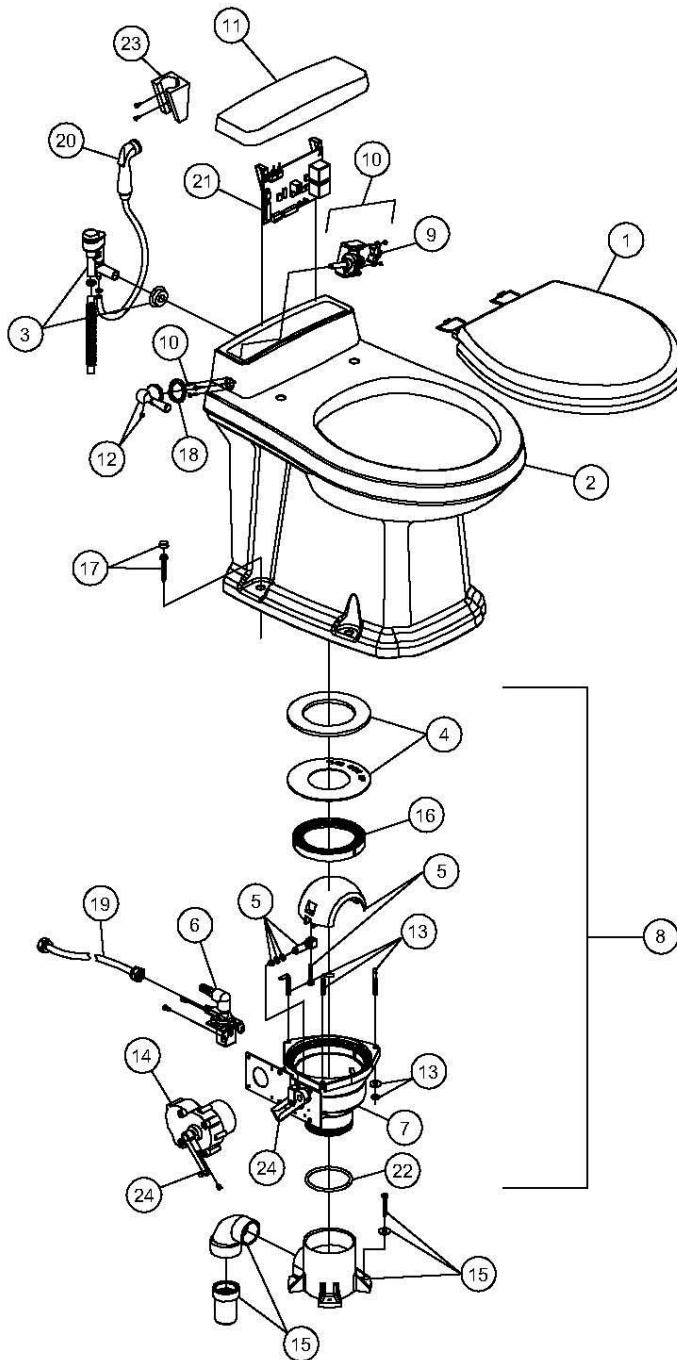


ITEM	PART NUMBER	DESCRIPTION
1	385344022	SEAT & COVER HF, WHITE
	385344023	SEAT & COVER HF, BONE
	385344024	SEAT & COVER HF, PLATINUM
	385344025	SEAT & COVER HF, EBONY
2	385310811	CHINA BOWL, WHITE
	385310812	CHINA BOWL, BONE
	385310867	CHINA BOWL, PLATINUM
	385310869	CHINA BOWL, EBONY
3	385310807	VACUUM BREAKER ASSEMBLY
	385310808	VACUUM BREAKER ASSY-HAND SPRAY MODEL
4	385311009	KIT, SEAL PLUG IN BASE
5	385310969	SHAFT/ HALF BALL KIT
	385310971	SHAFT/HALF BALL KIT EBONY
6	385310821	WATER VALVE w/MOUNTING SCREWS (12VDC)
	385310845	WATER VALVE w/MOUNTING SCREWS (24VDC)
7	385311051	BASE 3010 PLUG IN 12 & 24VDC
8	385311050	COMPLETE BASE PLUG IN (INC. 4-7,13-14,16,19,22,25)
	385311425	KIT, BASE 3009/24V PLU CPT (INC. 4-7, 13-14,16,19,22,25)
9	385310965	KIT, ROCKER SWITCH w/CABLE
10	385310964	FLUSH CONTROL ASSY (INCLUDES CABLE)
11	385310851	ACCESS COVER, WHITE
	385310852	ACCESS COVER, BONE
	385310864	ACCESS COVER, PLATINUM
	385310866	ACCESS COVER, EBONY
12	385310962	FLUSH HANDLE WITH SET SCREW, CHROME
	385310963	FLUSH HANDLE WITH SET SCREW, GOLD
13	385311011	L- BOLTS/NUTS /WASH/PLUG IN BASE
14	385310822	MOTOR & MOUNTING HARDWARE (12VDC)
	385310846	MOTOR & MOUNTING HARDWARE (24VDC)
15	385311013	FLOOR FLANGE ADAPTER KIT
16	385311292	KIT, BASE RING INSERT
17	385310813	CHINA BOWL MOUNTING KIT, CHROME
	385310814	CHINA BOWL MOUNTING KIT, GOLD
18	600344695	WASHER, FLUSH HANDLE
19	385311018	SUPPLY HOSE
20	385310809	HAND SPRAY; WHITE, BONE, PLATINUM
	385310873	HAND SPRAY; EBONY
21	385310888	CONTROL MODULE KIT-12VDC (vacufush)
	385310890	CONTROL MODULE KIT-24VDC (vacufush)
22	385311294	KIT, O'RING PLUG-IN BASE
23	385310064	MOUNTING HARDWARE
24	385318864	FUNNEL KIT (INCLUDES ITEM 23)
25	385311417	KIT, BASE DRIVE ARMS
N/S	385310854	ACCESS COVER MOUNTING KIT

\* WHENEVER THE BASE IS REMOVED, YOU MUST REPLACE THE L-BOLTS AND NUTS.



# PARTS LIST: 3048 PLUG IN BASE



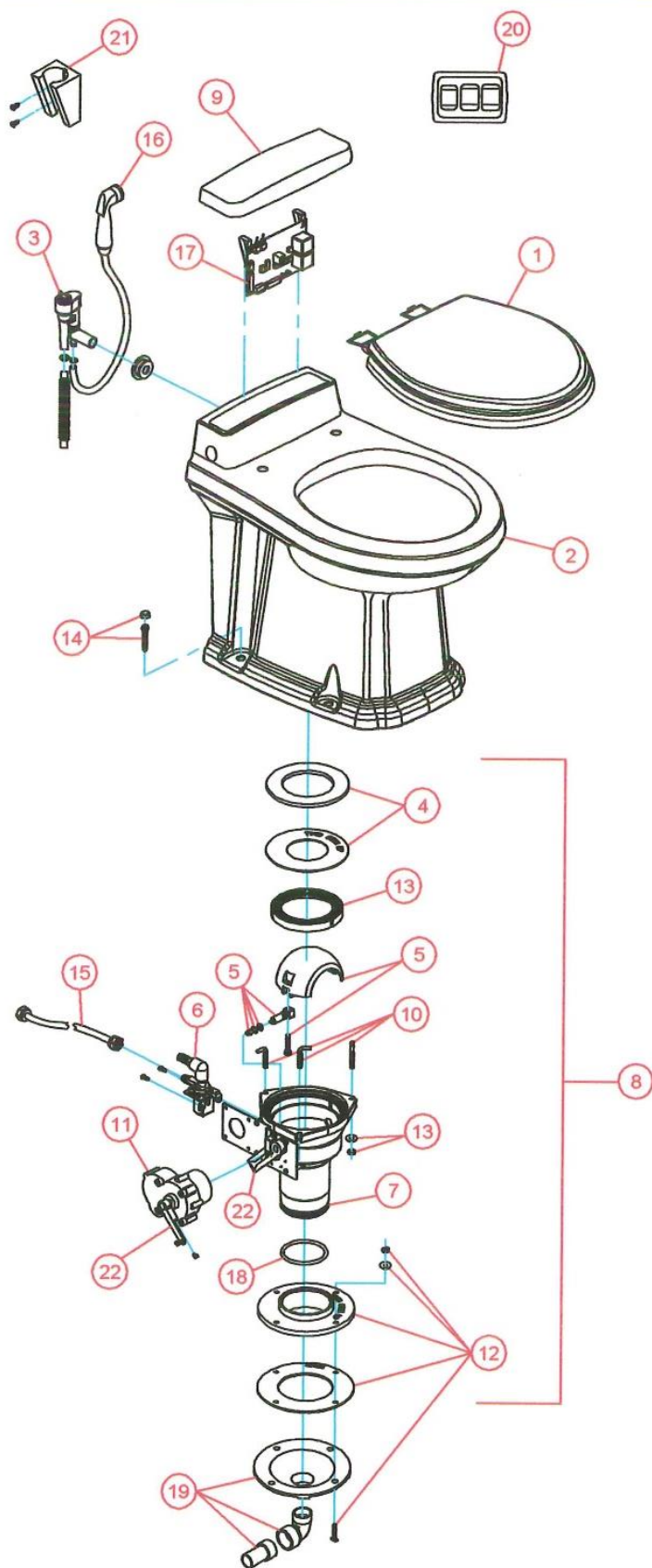
ITEM	PART NUMBER	DESCRIPTION
1	385344022	SEAT & COVER HF, WHITE
	385344023	SEAT & COVER HF, BONE
	385344024	SEAT & COVER HF, PLATINUM
	385344025	SEAT & COVER HF, EBONY
2	385310811	CHINA BOWL, WHITE
	385310812	CHINA BOWL, BONE
	385310867	CHINA BOWL, PLATINUM
	385310869	CHINA BOWL, EBONY
3	385310807	VACUUM BREAKER ASSEMBLY
	385310808	VACUUM BREAKER ASSY-HAND SPRAY MODEL
4	385311009	KIT, SEAL PLUG IN BASE
5	385310969	SHAFT/HALF BALL KIT
	385310971	SHAFT/HALF BALL KIT EBONY
6	385310821	WATER VALVE w/MOUNTING SCREWS (12VDC)
	385310845	WATER VALVE w/MOUNTING SCREWS (24VDC)
7	385311052	BASE 3048 PLUG IN 12&24
8	385311054	COMPLETE BASE ASSY 12VDC (DOESHT N.G.UOE #15)
	385311055	COMPLETE BASE ASSY 24VDC (DOESHT N.G.UOE #15)
9	385310965	KIT, ROCKER SWITCH w/CABLE
10	385310964	FLUSH CONTROL ASSY (INCL UOES CABLE)
11	385310851	ACCESS COVER, WHITE
	385310852	ACCESS COVER, BONE
	385310864	ACCESS COVER, PLATINUM
	385310866	ACCESS COVER, EBONY
12	385311141	KIT, FLUSH HANDLE-NICKLE
	385310962	FLUSH HANDLE WITH SET SCREW, CHROME
	385310963	FLUSH HANDLE WITH SET SCREW, GOLD
13	385311011	L-BOLTS/NUTS/WASH/ PLUG IN BASE
14	385310822	MOTOR & MOUNTING HARDWARE (12VDC)
	385310846	MOTOR & MOUNTING HARDWARE (24VDC)
15	385311056	ADAPTER 48 PLUG IN
16	385311292	RING, BASE INSERT
17	385310813	CHINA BOWL MOUNTING KIT, CHROME
	385310814	CHINA BOWL MOUNTING KIT, GOLD
18	600344695	WASHER, FLUSH HANDLE
19	385311018	SUPPLY HOSE
20	385310809	HAND SPRAY, WHITE, BONE, PLATINUM
	385310873	HAND SPRAY, EBONY
21	385310888	CONTROL MODULE KIT-12VDC (VACUUM MOD.B.S)
	385310890	CONTROL MODULE KIT-24VDC (VACUUM MOD.B.S)
22	385311294	O'RING, BASE
23	385311131	SPRAY BRACKET, CHROME (includes screws)
	385311125	SPRAY BRACKET; EBONY (includes screws)
24	385311417	KIT, BASE DRIVE ARMS
N/S	385310854	ACCESS COVER MOUNTING KIT

\* WHENEVER THE BASE IS REMOVED, YOU MUST REPLACE THE L-BOLTS AND NUTS.

Dometic Corporation - Sanitation Systems  
13128 State Rt. 226, P.O. Box 38  
Big Prairie, OH 44611-0038 USA  
Telephone: 330-496-3211  
Fax: 330-496-3097  
Email: sealand@dometicus.com



# PARTS LIST: 3109 PLUG IN BASE



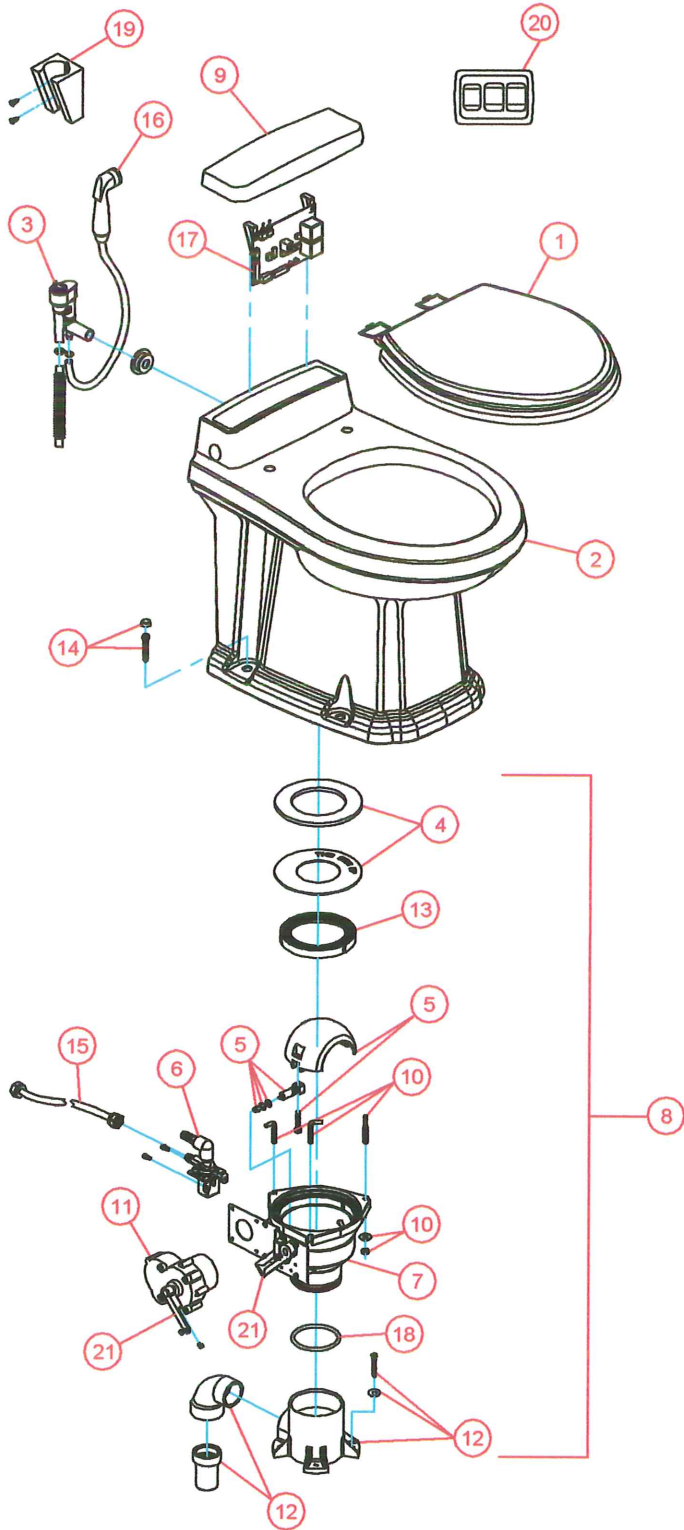
ITEM	PART NUMBER	DESCRIPTION
1	385344022	SEAT & COVER , WHITE
	385344023	SEAT & COVER , BONE
	385344024	SEAT & COVER , PLATINUM
	385344025	SEAT & COVER , EBONY
2	385310811	CHINA BOWL, WHITE
	385310812	CHINA BOWL, BONE
	385310867	CHINA BOWL, PLATINUM
	385310869	CHINA BOWL, EBONY
3	385310807	VACUUM BREAKER ASSEMBLY
	385310808	VACUUM BREAKER ASSY-HAND SPRAY MODEL
4	385311009	KIT, SEAL PLUG IN BASE
5	385310969	SHAFT/ HALF BALL KIT
	385310971	SHAFT/HALF BALL KIT EBONY
6	385310821	WATER VALVE w/MOUNTING SCREWS (12VDC)
	385310845	WATER VALVE w/MOUNTING SCREWS (24VDC)
7	385311051	BASE PLUG IN ( INCLUDES ITEM 5,14,16)
8	385311050	COMPLETE BASE PLUG IN (INC. ITEMS 4,7, 14,16,19,22)
9	385310851	ACCESS COVER, WHITE
	385310852	ACCESS COVER, BONE
	385310864	ACCESS COVER, PLATINUM
	385310866	ACCESS COVER, EBONY
10	385311011	L- BOLTS/NUTS /WASH/ PLUG IN BASE
11	385310822	MOTOR & MOUNTING HARDWARE (12VDC)
	385310846	MOTOR & MOUNTING HARDWARE (24VDC)
12	385311013	FLOOR FLANGE ADAPTER KIT
13	385311292	RING, BASE INSERT
14	385310785	CHINA BOWL MOUNTING KIT, BONE
	385310679	CHINA BOWL MOUNTING KIT, WHITE
15	385311018	SUPPLY HOSE
16	385310809	HAND SPRAY; CHROME
	385310873	HAND SPRAY; EBONY
17	385310888	CONTROL MODULE KIT-12VDC
	385310890	CONTROL MODULE KIT-24VDC
18	385311294	O'RING 3.1 X 3.5 X .21
19	385318864	FUNNEL KIT (mounting hardware inc.)
20	385311140	KIT, WALL MT SWITCH-VF
21	385311131	SPRAY BRACKET CHROME
	385311125	SPRAY BRACKET EBONY
22	385311417	KIT, BASE DRIVE ARMS
N/S	385310854	ACCESS COVER MOUNTING KIT

\* WHENEVER THE BASE IS REMOVED, YOU MUST REPLACE THE L-BOLTS AND NUTS.

Dometic Corporation - Sanitation Systems  
13128 State Rt. 226, P.O. Box 38  
Big Prairie, OH 44611-0038 USA  
Telephone: 330-496-3211  
Fax: 330-496-3097  
Email: sealand@dometicusa.com



# PARTS LIST: 3148 PLUG IN BASE



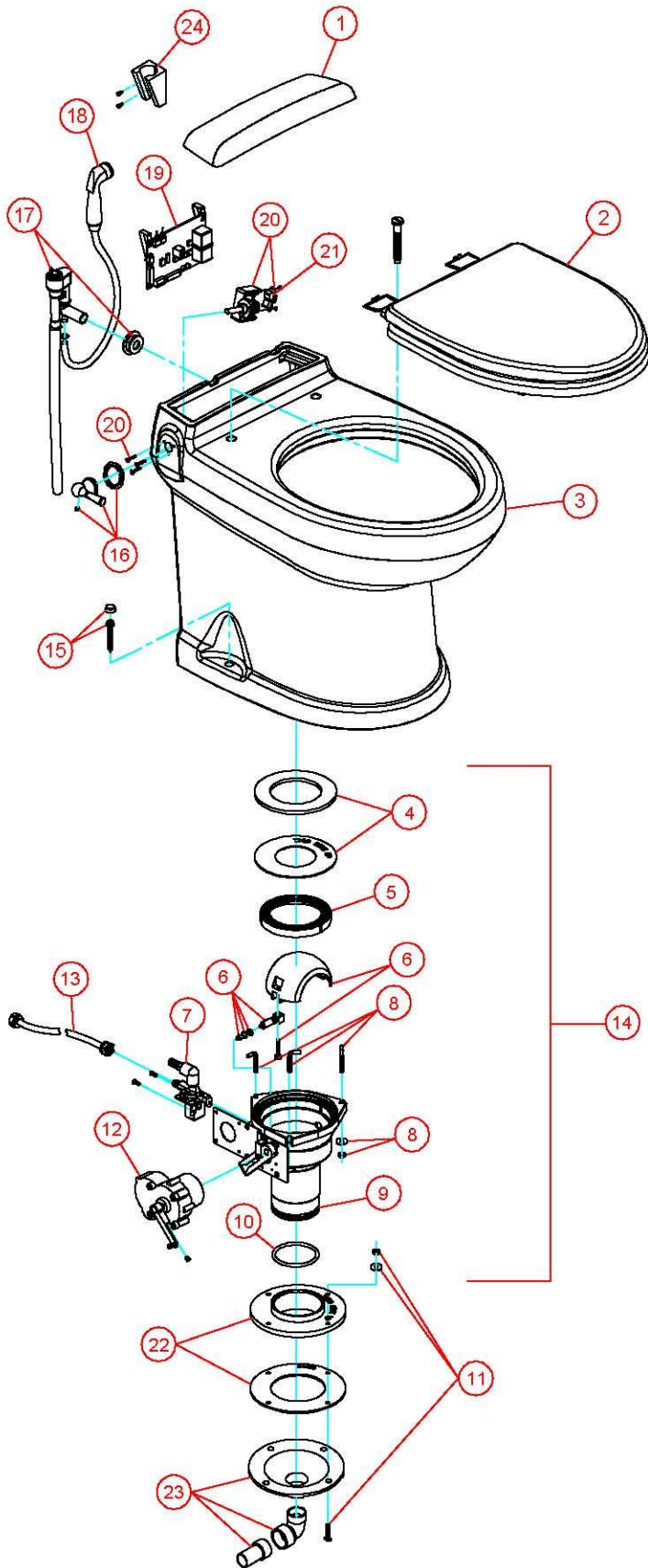
ITEM	PART NUMBER	DESCRIPTION
1	385344022	SEAT & COVER , WHITE
	385344023	SEAT & COVER , BONE
	385344024	SEAT & COVER , PLATINUM
	385344025	SEAT & COVER , EBONY
2	385310811	CHINA BOWL, WHITE
	385310812	CHINA BOWL, BONE
	385310867	CHINA BOWL, PLATINUM
	385310869	CHINA BOWL, EBONY
3	385310807	VACUUM BREAKER ASSEMBLY
	385310808	VACUUM BREAKER ASSY-HAND SPRAY MODEL
4	385311009	KIT, SEAL PLUG IN BASE
5	385310969	SHAFT/HALF BALL KIT
	385310971	SHAFT/HALF BALL KIT EBONY
6	385310821	WATER VALVE w/MOUNTING SCREWS (12VDC)
	385310845	WATER VALVE w/MOUNTING SCREWS (24VDC)
7	385311052	BASE PLUG IN
8	385311054	COMPLETE BASE PLUG IN 12VDC (INCLUDES ITEMS 4-7, 14,16,19,22)
	385311055	COMPLETE BASE PLUG IN 24VDC (INCLUDES ITEMS 4-7, 14,16,19,22)
9	385310851	ACCESS COVER, WHITE
	385310852	ACCESS COVER, BONE
	385310864	ACCESS COVER, PLATINUM
	385310866	ACCESS COVER, EBONY
10	385311011	L- BOLTS/NUTS w/WASH/ PLUG IN BASE
11	385310822	MOTOR & MOUNTING HARDWARE (12VDC)
	385310846	MOTOR & MOUNTING HARDWARE (24VDC)
12	385311056	FLOOR FLANGE ADAPTER KIT
13	385311292	RING, BASE INSERT
14	385310785	CHINA BOWL MOUNTING KIT, BONE
	385310679	CHINA BOWL MOUNTING KIT, WHITE
15	385311018	SUPPLY HOSE
16	385310809	HAND SPRAY; CHROME
	385310873	HAND SPRAY; EBONY
17	385310888	CONTROL MODULE KIT-12VDC
	385310890	CONTROL MODULE KIT-24VDC
18	385311294	O'RING 3.1 X 3.5 X .21
19	385311131	SPRAY BRACKET CHROME
	385311125	SPRAY BRACKET EBONY
20	385311140	FLUSH SWITCH VAC. (cable included)
21	385311417	KIT, BASE DRIVE ARMS
N/S	385310854	ACCESS COVER MOUNTING KIT

\* WHENEVER THE BASE IS REMOVED, YOU MUST REPLACE THE L-BOLTS AND NUTS.



Dometic Corporation - Sanitation Systems  
13128 State Rt. 226, P.O. Box 38  
Big Prairie, OH 44611-0038 USA  
Telephone: 330-496-3211  
Fax: 330-496-3097  
Email: sealand@dometicusa.com

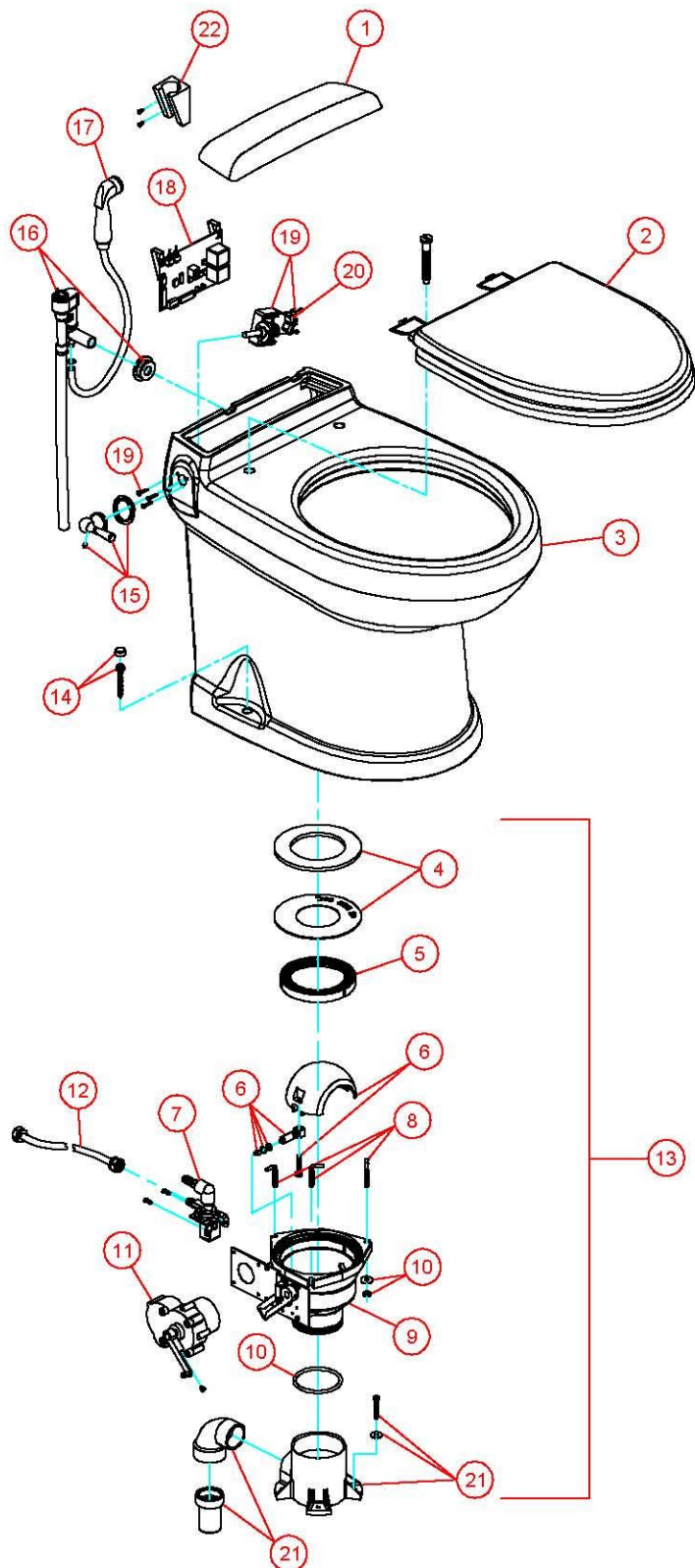
# PARTS LIST: 3309 PLUG IN BASE



ITEM	PART NUMBER	DESCRIPTION
1	385311001	ACCESS COVER, WHITE
	385311002	ACCESS COVER, BONE
2	385311005	SEAT & COVER - WHITE
	385311006	SEAT & COVER - BONE
3	385311007	CHINA BOWL, WHITE
	385311008	CHINA BOWL, BONE
4	385311009	KIT, SEAL PLUG IN BASE
5	385311292	RING, BASE INSERT
6	385310969	SHAFT/ HALF BALL KIT
7	385310821	WATER VALVE w/MOUNTING SCREWS (12VDC)
	385310845	WATER VALVE w/MOUNTING SCREWS (24VDC)
8	385311011	L- BOLTS/NUTS /WASH/PLUG IN BASE
9	385311051	BASE PLUG IN (inc. item 8 - 10)
10	385311294	O'RING 3.1 X 3.5 X .21
11	385310064	MOUNTING KIT
12	385310822	MOTOR & MOUNTING HARDWARE (12VDC)
	385310846	MOTOR & MOUNTING HARDWARE (24VDC)
13	385311018	SUPPLY HOSE
14	385311050	COMPLETE BASE PLUG IN 12VDC (INCLUDES ITEMS 4-11&13)
	385311170	COMPLETE BASE PLUG IN 24VDC (INCLUDES ITEMS 4-11&13)
15	385310679	MOUNTING KIT - WHITE
	385310785	MOUNTING KIT - BONE
16	385310962	FLUSH HANDLE WITH SET SCREW, CHROME
	385310963	FLUSH HANDLE WITH SET SCREW, GOLD
	385311141	FLUSH HANDLE WITH SET SCREW, NICKLE
17	385310807	VACUUM BREAKER KIT
	385310808	VACUUM BREAKER KIT - WITH SPRAY
18	385310809	HAND SPRAY
19	385310888	CONTROL MODULE 12VDC
	385310890	CONTROL MODULE 24VDC
20	385310964	FLUSH CONTROL ASSEMBLY w/CABLE
21	385310965	ROCKER SWITCH w/CABLE
22	385311013	FLOOR FLANGE ADAPTER KIT
23	385318864	FLOOR FLANGE KIT (inc. item 11)
24	385311131	SPRAY BRACKET
N/S	385310854	ACCESS COVER MOUNTING KIT
N/S	385311417	KIT, BASE DRIVE ARMS



# PARTS LIST: 3348 PLUG IN BASE

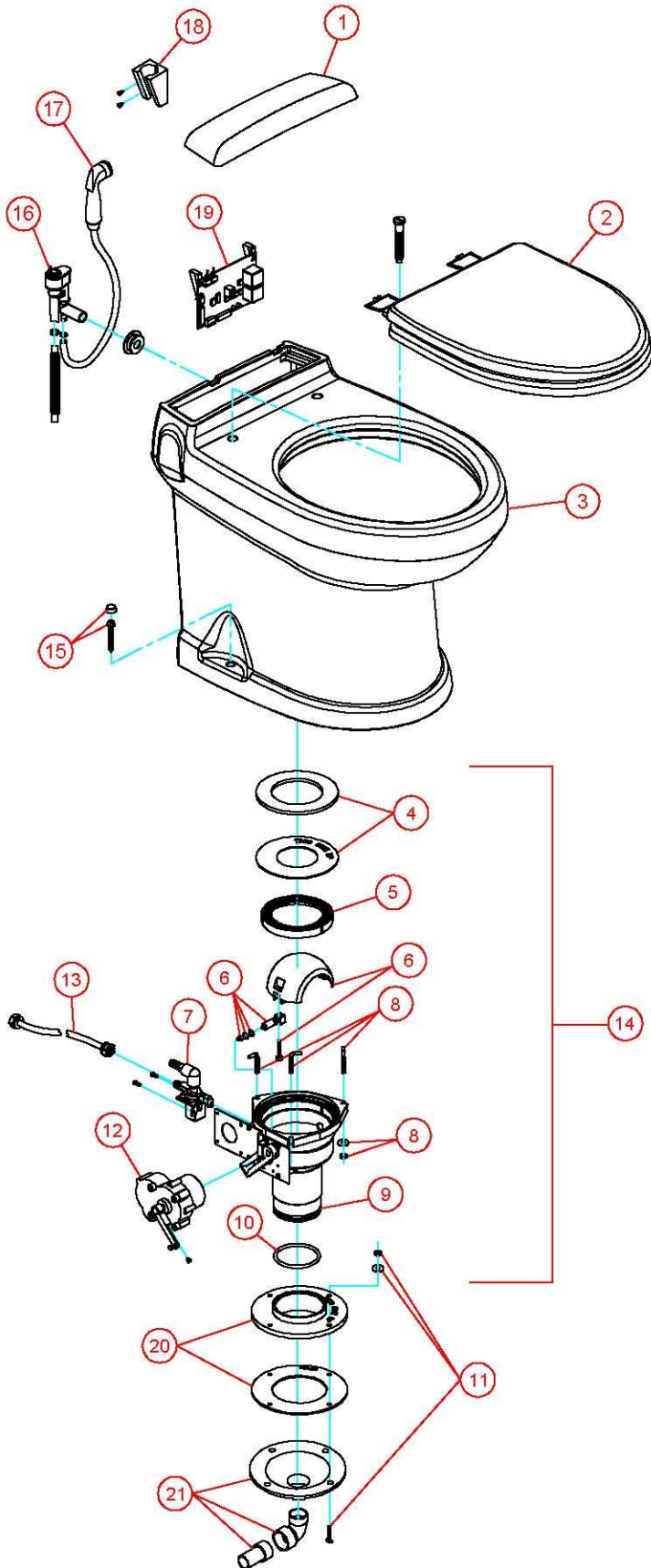


ITEM	PART NUMBER	DESCRIPTION
1	385311001	ACCESS COVER, WHITE
	385311002	ACCESS COVER, BONE
2	385311005	SEAT & COVER - WHITE
	385311006	SEAT & COVER - BONE
3	385311007	CHINA BOWL, WHITE
	385311008	CHINA BOWL, BONE
4	385311009	KIT, SEAL PLUG IN BASE
5	385311292	RING, BASE INSERT
6	385310969	SHAFT/ HALF BALL KIT
7	385310821	WATER VALVE w/MOUNTING SCREWS (12VDC)
	385310845	WATER VALVE w/MOUNTING SCREWS (24VDC)
8	385311011	L- BOLTS/NUTS /WASH/ PLUG IN BASE
9	385311052	BASE PLUG IN (inc. item 8 - 10)
10	385311294	O'RING 3.1 X 3.5X .21
11	385310822	MOTOR & MOUNTING HARDWARE (12VDC)
	385310846	MOTOR & MOUNTING HARDWARE (24VDC)
12	385311018	SUPPLY HOSE
13	385311054	COMPLETE BASE PLUG IN 12VDC (INCLUDES ITEMS 4-11&13)
	385311055	COMPLETE BASE PLUG IN 24VDC (INCLUDES ITEMS 4-11&13)
14	385310679	MOUNTING KIT - WHITE
	385310785	MOUNTING KIT - BONE
15	385310962	FLUSH HANDLE WITH SET SCREW, CHROME
	385310963	FLUSH HANDLE WITH SET SCREW, GOLD
	385311141	FLUSH HANDLE WITH SET SCREW, NICKLE
16	385310807	VACUUM BREAKER KIT
	385310808	VACUUM BREAKER KIT - WITH SPRAY
17	385310809	HAND SPRAY
18	385310888	CONTROL MODULE 12VDC
	385310890	CONTROL MODULE 24VDC
19	385310964	FLUSH CONTROL ASSEMBLY w/CABLE
20	385310965	ROCKER SWITCH w/CABLE
21	385311056	FLOOR FLANGE ADAPTER KIT
22	385311131	SPRAY BRACKET
N/S	385310854	ACCESS COVER MOUNTING KIT
N/S	385311417	KIT, BASE DRIVE ARMS

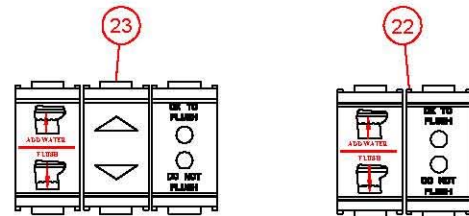
Dometic Corporation - Sanitation Systems  
13128 State Rt. 226, P.O. Box 38  
Big Prairie, OH 44611-0038 USA  
Telephone: 330-496-3211  
Fax: 330-496-3097  
Email: sealand@dometicusa.com



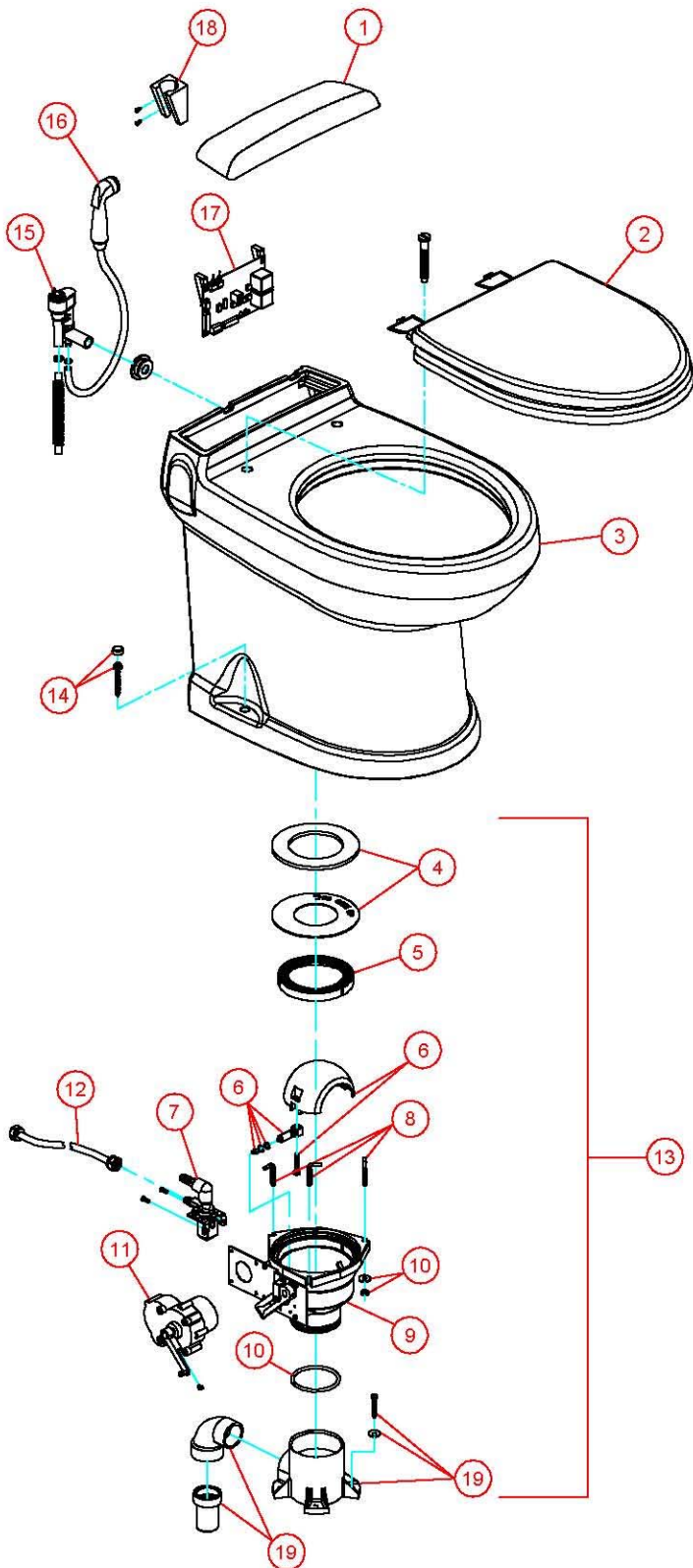
# PARTS LIST: 3409 PLUG IN BASE



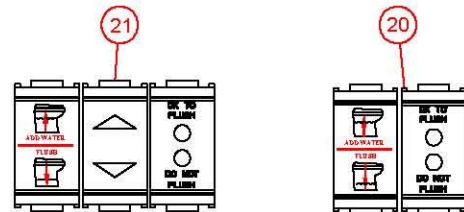
ITEM	PART NUMBER	DESCRIPTION
1	385311001	ACCESS COVER, WHITE
	385311002	ACCESS COVER, BONE
2	385311005	SEAT & COVER - WHITE
	385311006	SEAT & COVER - BONE
3	385311007	CHINA BOWL, WHITE
	385311008	CHINA BOWL, BONE
4	385311009	KIT, SEAL PLUG IN BASE
5	385311292	RING, BASE INSERT
6	385310969	SHAFT/ HALF BALL KIT
7	385310821	WATER VALVE w/MOUNTING SCREWS (12VDC)
	385310845	WATER VALVE w/MOUNTING SCREWS (24VDC)
8	385311011	L- BOLTS/NUTS /WASH/PLUG IN BASE
9	385311051	BASE PLUG IN (inc. item 8 - 10)
10	385311294	O'RING 3.1X 3.5X .21
11	385310064	MOUNTING KIT
12	385310822	MOTOR & MOUNTING HARDWARE (12VDC)
	385310846	MOTOR & MOUNTING HARDWARE (24VDC)
13	385311018	SUPPLY HOSE
14	385311050	COMPLETE BASE PLUG IN 12VDC (INCLUDES ITEMS 4-11 & 13)
	385311170	COMPLETE BASE PLUG IN 24VDC (INCLUDES ITEMS 4-11 & 13)
15	385310679	MOUNTING KIT - WHITE
	385310785	MOUNTING KIT - BONE
16	385310807	VACUUM BREAKER KIT
	385310808	VACUUM BREAKER KIT - WITH SPRAY
17	385310809	HAND SPRAY
18	385311131	SPRAY BRACKET
19	385310888	CONTROL MODULE 12VDC
	385310890	CONTROL MODULE 24VDC
20	385311013	FLOOR FLANGE ADAPTER KIT
21	385318864	FLOOR FLANGE KIT (inc. item 11)
22	313401012	FLUSH SWITCH w/CABLE VIMAR 12/WHITE
	313401024	FLUSH SWITCH w/CABLE VIMAR 24/WHITE
	313402012	FLUSH SWITCH w/CABLE VIMAR 12/GRAY
	313402024	FLUSH SWITCH w/CABLE VIMAR 24/GRAY
23	313403012	FLUSH SWITCH w/CABLE GEWIS 12/GRAY
	313403024	FLUSH SWITCH w/CABLE GEWIS 24/GRAY
N/S	385310854	ACCESS COVER MOUNTING KIT
N/S	385311417	KIT, BASE DRIVE ARMS



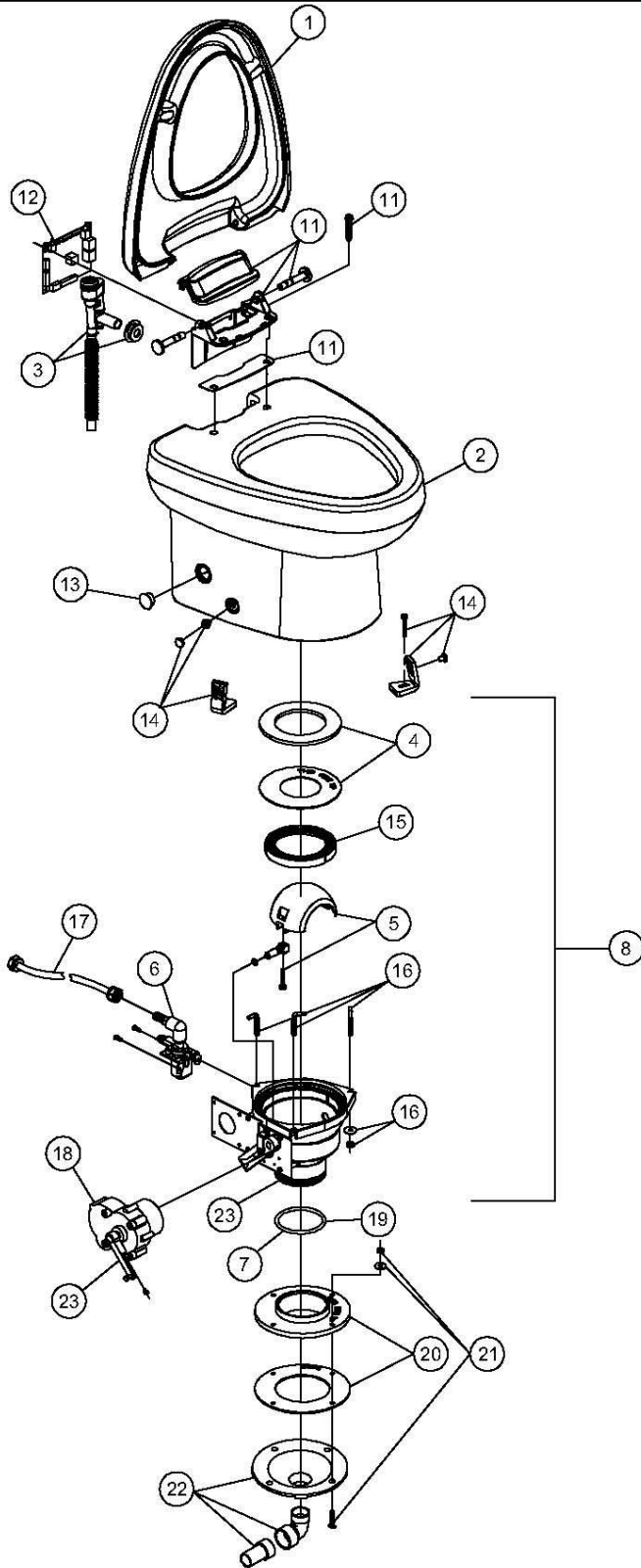
# PARTS LIST: 3448 PLUG IN BASE



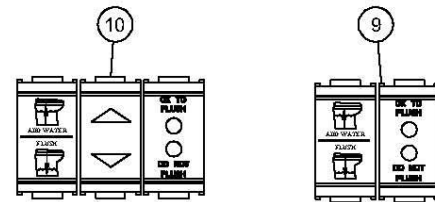
ITEM	PART NUMBER	DESCRIPTION
1	385311001	ACCESS COVER, WHITE
	385311002	ACCESS COVER, BONE
2	385311005	SEAT & COVER - WHITE
	385311006	SEAT & COVER - BONE
3	385311007	CHINA BOWL, WHITE
	385311008	CHINA BOWL, BONE
4	385311009	KIT, SEAL PLUG IN BASE
5	385311292	RING, BASE INSERT
6	385310969	SHAFT/ HALF BALL KIT
7	385310821	WATER VALVE w/MOUNTING SCREWS (12VDC)
	385310845	WATER VALVE w/MOUNTING SCREWS (24VDC)
8	385311011	L- BOLTS/NUTS /WASH/PLUG IN BASE
9	385311052	BASE PLUG IN (inc. item 8 - 10)
10	385311294	O'RING 3.1 X 3.5 X .21
11	385310822	MOTOR & MOUNTING HARDWARE (12VDC)
	385310846	MOTOR & MOUNTING HARDWARE (24VDC)
12	385311018	SUPPLY HOSE
13	385311054	COMPLETE BASE PLUG IN 12VDC (INCLUDES ITEMS 4-11&13)
	385311055	COMPLETE BASE PLUG IN 24VDC (INCLUDES ITEMS 4-11&13)
14	385310679	MOUNTING KIT - WHITE
	385310785	MOUNTING KIT - BONE
15	385310807	VACUUM BREAKER KIT
	385310808	VACUUM BREAKER KIT - WITH SPRAY
16	385310809	HAND SPRAY
17	385310888	CONTROL MODULE 12VDC
	385310890	CONTROL MODULE 24VDC
18	385311131	SPRAY BRACKET
19	385311056	FLOOR FLANGE ADAPTER KIT
20	313401012	FLUSH SWITCH w/CABLE VIMAR 12/WHITE
	313401024	FLUSH SWITCH w/CABLE VIMAR 24/WHITE
	313402012	FLUSH SWITCH w/CABLE VIMAR 12/GRAY
	313402024	FLUSH SWITCH w/CABLE VIMAR 24/GRAY
21	313403012	FLUSH SWITCH w/CABLE GEWIS 12/GRAY
	313403024	FLUSH SWITCH w/CABLE GEWIS 24/GRAY
N/S	385310854	ACCESS COVER MOUNTING KIT
N/S	385311417	KIT, BASE DRIVE ARMS



# PARTS LIST: 3606 PLUG IN BASE

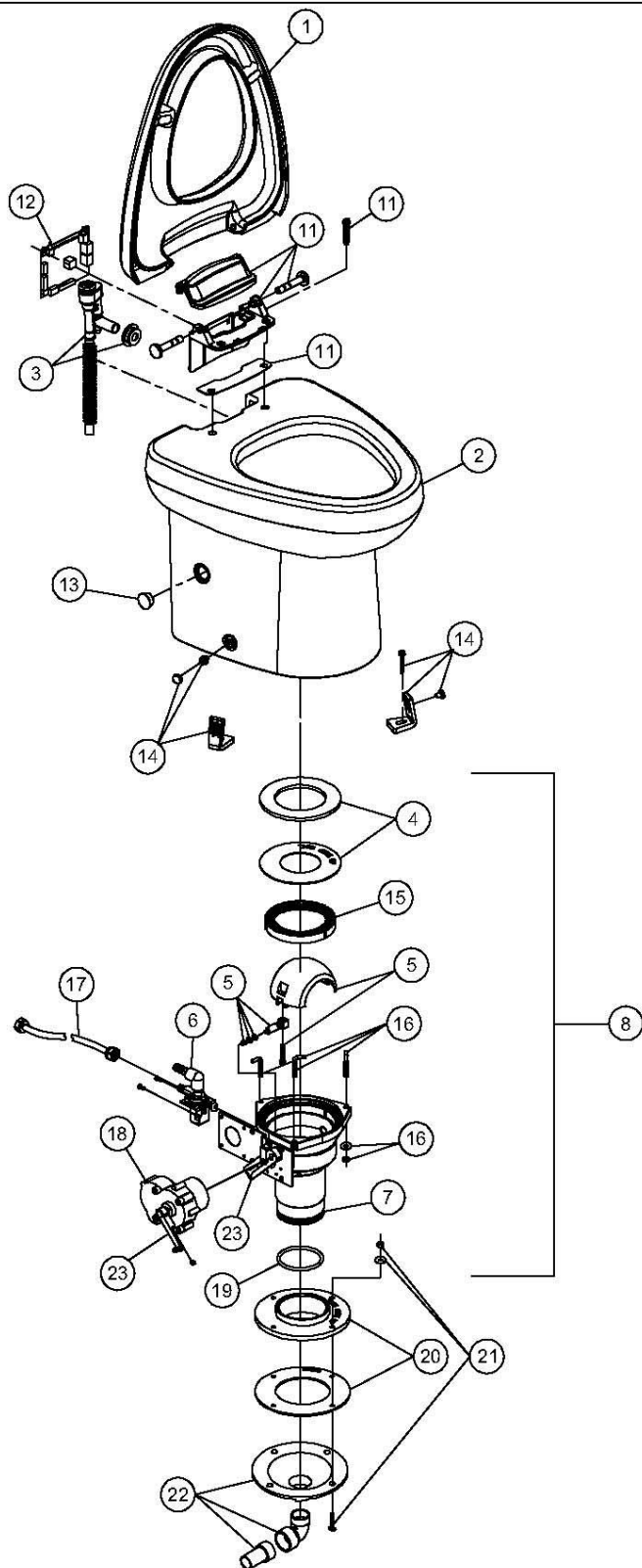


ITEM	PART NUMBER	DESCRIPTION
1	385311061	SEAT & COVER, WHITE
	385311062	SEAT & COVER, BONE
2	385311201	CHINA BOWL, WHITE
	385311202	CHINA BOWL, BONE
3	385310807	VACUUM BREAKER ASSEMBLY
4	385311009	KIT, SEAL PLUG IN BASE
5	385310969	SHAFT/ HALF BALL KIT
6	385310821	WATER VALVE w/MOUNTING SCREWS (12VDC)
	385310845	WATER VALVE w/MOUNTING SCREWS (24VDC)
7	385311053	KIT, BASE '08 PLUG IN (includes item 4,5,15,16,19)
8	385311312	COMPLETE BASE 12VDC PLUG IN (INCLUDES ITEMS 4-7, 15-19)
	385311313	COMPLETE BASE 24VDC PLUG IN (INCLUDES ITEMS 4-7, 15-19)
9	313401012	FLUSH SWITCH w/CABLE VIMAR 12/WHITE
	313401024	FLUSH SWITCH w/CABLE VIMAR 24/WHITE
	313402012	FLUSH SWITCH w/CABLE VIMAR 12/GRAY
	313402024	FLUSH SWITCH w/CABLE VIMAR 24/GRAY
10	313403012	FLUSH SWITCH w/CABLE GEWIS 12/GRAY
	313403024	FLUSH SWITCH w/CABLE GEWIS 24/GRAY
11	385311060	CIRCUIT BOARD COVER
12	385311058	3800 CIRCUIT BOARD 12VDC
	385311059	3800 CIRCUIT BOARD 24VDC
13	600344788	MANUAL OVERRIDE PLUG WHITE
	600344800	MANUAL OVERRIDE PLUG BONE
14	385311057	MOUNTING KIT
15	385311292	RING BASE INSERT
16	385311011	L- BOLTS/NUTS /WASH/ PLUG IN BASE
17	385311018	SUPPLY HOSE
18	385310822	MOTOR & MOUNTING HARDWARE (12VDC)
	385310846	MOTOR & MOUNTING HARDWARE (24VDC)
19	385311294	O'RING 3.1 X 3.5 X .21
20	385311013	FLOOR FLANGE ADPT (INC. ITEM 21)
21	385310064	MOUNTING HARDWARE
22	385318864	FUNNEL KIT (INC. ITEM 21 )
23	385311417	KIT, BASE DRIVE ARMS

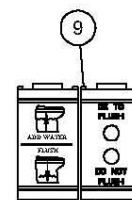
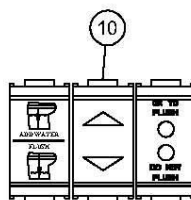


Dometic Corporation - Sanitation Systems  
13128 State Rt. 226, P. O. Box 38  
Big Prairie, OH 44611-0038 USA  
Telephone: 330-496-3211  
Fax: 330-496-3097  
Email: sealand@dometicus.com

# PARTS LIST: 3609 PLUG IN BASE

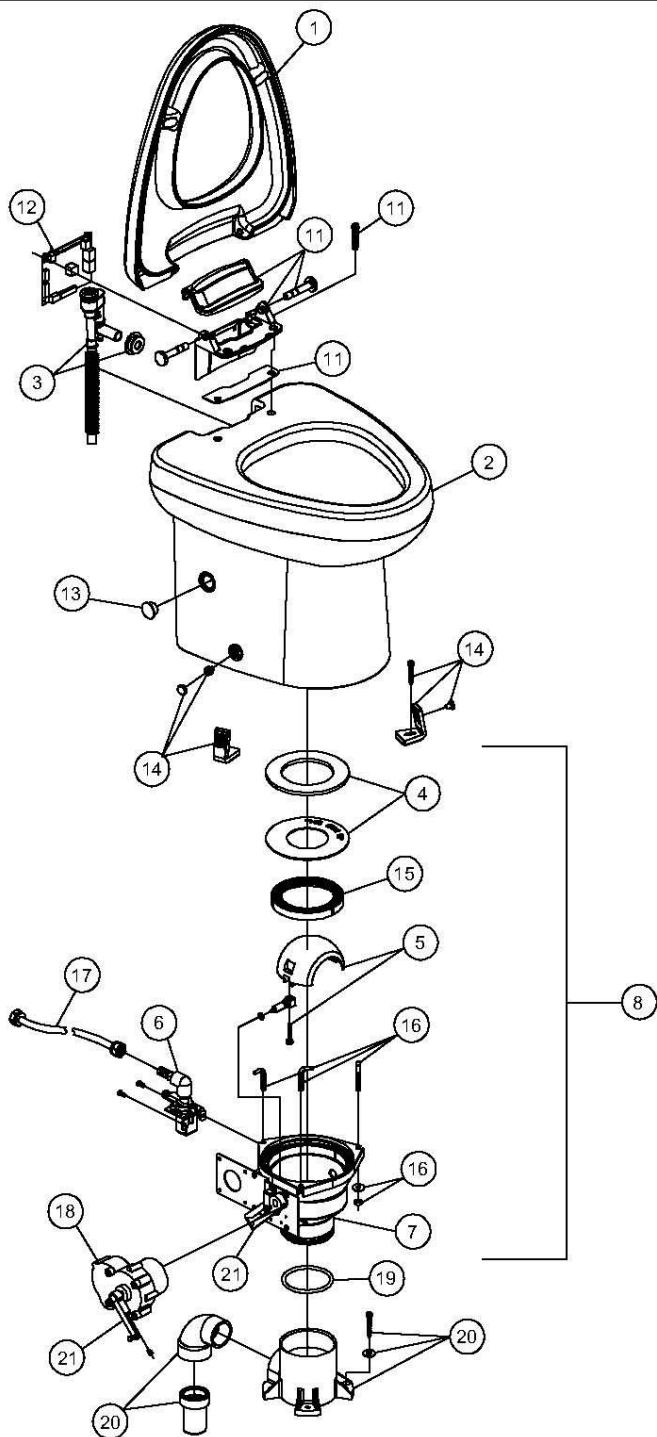


ITEM	PART NUMBER	DESCRIPTION
1	385311061	SEAT & COVER , WHITE
	385311062	SEAT & COVER , BONE
2	385311063	CHINA BOWL, WHITE
	385311064	CHINA BOWL, BONE
3	385310807	VACUUM BREAKER ASSEMBLY
4	385311009	KIT, SEAL PLUG IN BASE
5	385310969	SHAFT/ HALF BALL KIT
6	385310821	WATER VALVE w/MOUNTING SCREWS (12VDC)
	385310845	WATER VALVE w/MOUNTING SCREWS (24VDC)
7	385311051	BASE PLUG IN
8	385311050	COMPLETE BASE 12VDC PLUG IN (INCLUDES ITEMS 4-7, 16-19)
	385311170	COMPLETE BASE 24VDC PLUG IN (INCLUDES ITEMS 4-7, 14,16,19,22)
9	313401012	FLUSH SWITCH w/CABLE VIMAR 12/WHITE
	313401024	FLUSH SWITCH w/CABLE VIMAR 24/WHITE
	313402012	FLUSH SWITCH w/CABLE VIMAR 12/GRAY
	313402024	FLUSH SWITCH w/CABLE VIMAR 24/GRAY
10	313403012	FLUSH SWITCH w/CABLE GEWIS 12/GRAY
	313403024	FLUSH SWITCH w/CABLE GEWIS 24/GRAY
11	385311060	CIRCUIT BOARD COVER
12	385311058	3600 CIRCUIT BOARD 12VDC
	385311059	3600 CIRCUIT BOARD 24VDC
13	600344788	MANUAL OVERRIDE PLUG WHITE
	600344800	MANUAL OVERRIDE PLUG BONE
14	385311057	MOUNTING KIT
15	385311292	RING BASE INSERT
16	385311011	L- BOLTS/NUTS/ WASH/ PLUG IN BASE
17	385311018	SUPPLY HOSE
18	385310822	MOTOR & MOUNTING HARDWARE (12VDC)
	385310846	MOTOR & MOUNTING HARDWARE (24VDC)
19	385311294	O'RING 3.1 X3.5 X .21
20	385311013	FLOOR FLANGE ADAPTER KIT (includes item 21)
21	385310064	MOUNTING HARDWARE
22	385318864	MOUNTING FUNNEL ( includes item 21)
23	385311417	KIT, BASE DRIVE ARMS

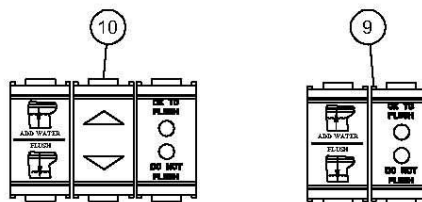


Dometic Corporation - Sanitation Systems  
13128 State Rt. 226, P.O. Box 38  
Big Prairie, OH 44611-0038 USA  
Telephone: 330-496-3211  
Fax: 330-496-3097  
Email: sealand@dometicusa.com

# PARTS LIST: 3648 PLUG IN BASE



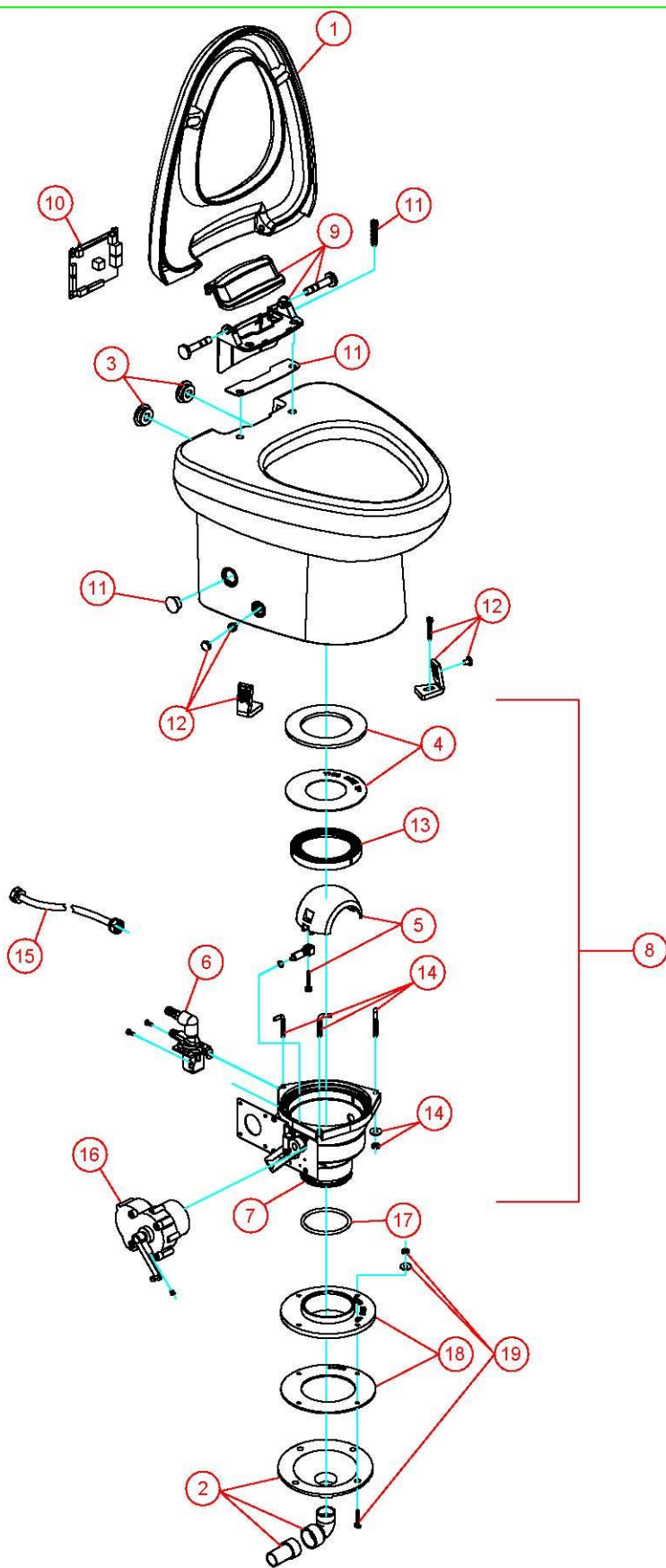
ITEM	PART NUMBER	DESCRIPTION
1	385311061	SEAT & COVER , WHITE
	385311062	SEAT & COVER , BONE
2	385311063	CHINA BOWL, WHITE
	385311064	CHINA BOWL, BONE
3	385310807	VACUUM BREAKER ASSEMBLY
4	385311009	KIT, SEAL PLUG IN BASE
5	385310969	SHAFT/ HALF BALL KIT
6	385310821	WATER VALVE w/MOUNTING SCREWS (12VDC)
	385310845	WATER VALVE w/MOUNTING SCREWS (24VDC)
7	385311052	BASE PLUG IN (includes item 4,5,15,16,19)
8	385311054	COMPLETE BASE 12VDC PLUG IN (INCLUDES ITEMS 4-7, 15-20)
	385311055	COMPLETE BASE 24VDC PLUG IN (INCLUDES ITEMS 4-7, 15-20)
9	313401012	FLUSH SWITCH w/CABLE VIMAR 12/WHITE
	313401024	FLUSH SWITCH w/CABLE VIMAR 24/WHITE
	313402012	FLUSH SWITCH w/CABLE VIMAR 12/GRAY
	313402024	FLUSH SWITCH w/CABLE VIMAR 24/GRAY
10	313403012	FLUSH SWITCH w/CABLE GEWS 12/GRAY
	313403024	FLUSH SWITCH w/CABLE GEWS 24/GRAY
11	385311060	CIRCUIT BOARD COVER
12	385311058	3600 CIRCUIT BOARD 12VDC
	385311059	3600 CIRCUIT BOARD 24VDC
13	600344788	MANUAL OVERRIDE PLUG WHITE
	600344800	MANUAL OVERRIDE PLUG BONE
14	385311057	MOUNTING KIT
15	385311292	RING BASE INSERT
16	385311011	L- BOLTS/NUTS /WASH/ PLUG IN BASE
17	385311018	SUPPLY HOSE
18	385310822	MOTOR & MOUNTING HARDWARE (12VDC)
	385310846	MOTOR & MOUNTING HARDWARE (24VDC)
19	385311294	KIT, O'RING PLUG-IN BASE
20	385311056	ADAPTER 48 PLUG IN
21	385311417	KIT, BASE DRIVE ARMS



Dometic Corporation - Sanitation Systems  
13128 State Rt. 226, P.O. Box 38  
Big Prairie, OH 44611-0038 USA  
Telephone: 330-496-3211  
Fax: 330-496-3097  
Email: sealand@dometicusa.com



# PARTS LIST: 3626 PLUG IN BASE

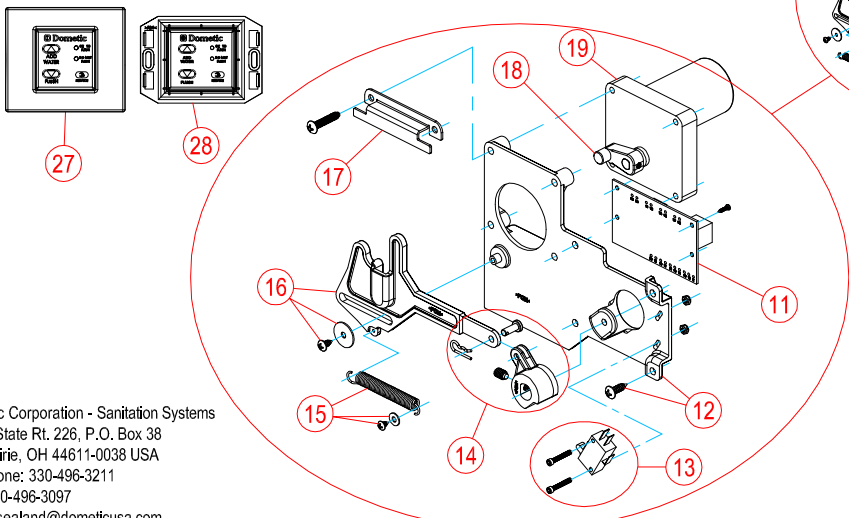
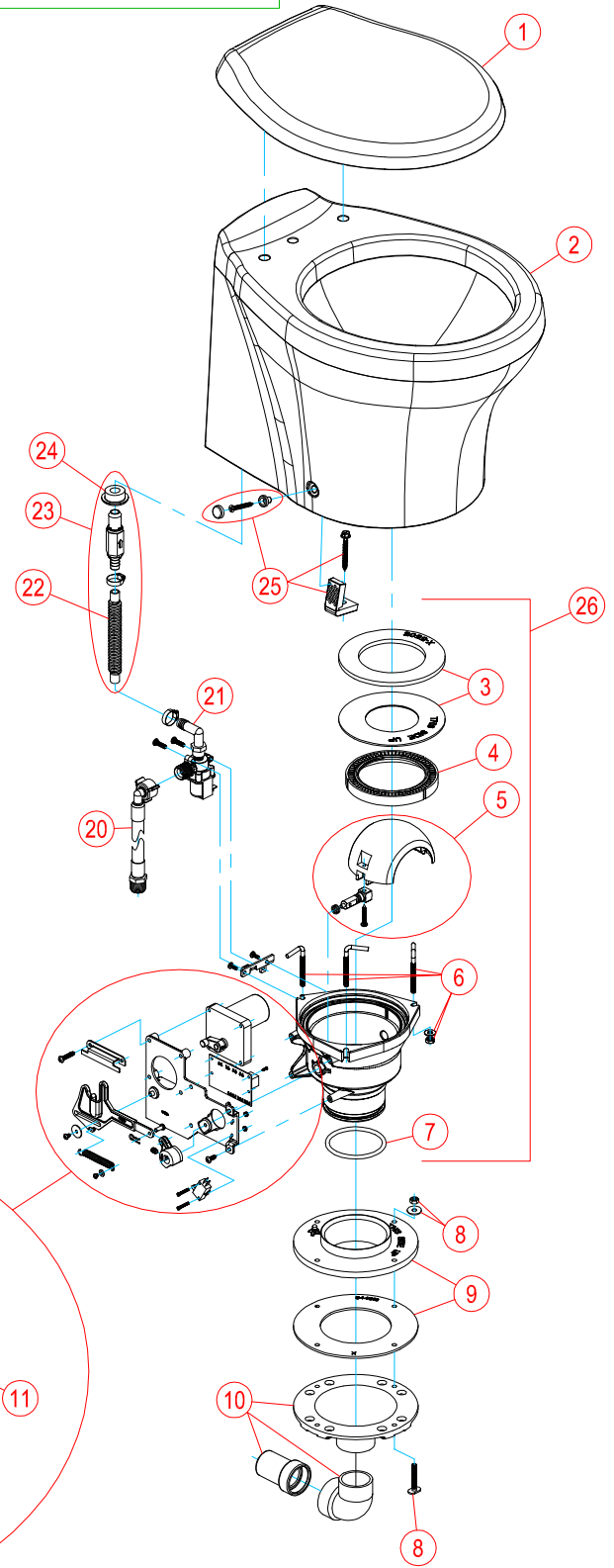


ITEM	PART NUMBER	DESCRIPTION
1	385311061	KIT, 3600 SEAT & C'VR-WHITE
	385311062	KIT, 3600 SEAT & C'VR-BONE
2	385318864	FUNNEL KIT (INC. ITEM 21)
3	385311164	KIT, SEALING GROMMET 1/2"
4	385311009	KIT, SEAL PLUG IN BASE
5	385310969	KIT, MO HALFB'L/SHAFT AY-WHT
6	385310821	WATER VALVE w/MOUNTING SCREWS (12VDC)
	385310845	WATER VALVE w/MOUNTING SCREWS (24VDC)
7	385311053	KIT, BASE '06 PLUG IN (INC. 4,5,15,16,19)
8	385311312	COMPLETE BASE 12VDC PLUG IN (INC. 4-7, 15-19)
	385311313	COMPLETE BASE 24VDC PLUG IN (INC. 4-7, 15-19)
9	385311060	KIT, 3600 COVER CIRCUIT BOARD
10	385311637	KIT, CIRCUIT BOARD-12VDC/3626
	385311638	KIT, CIRCUIT BOARD-24VDC/3626
11	600344788	MANUAL OVERRIDE PLUG WHITE
	600344800	MANUAL OVERRIDE PLUG BONE
12	385311057	KIT, 3600 CHINA MTG
13	385311292	KIT, BASE RING INSERT
14	385311011	L- BOLTS/NUTS /WASH/ PLUG IN BASE
15	385311018	KIT, PLUG-IN SUPPLY HOSE
16	385310822	MOTOR & MOUNTING HARDWARE (12VDC)
	385310846	MOTOR & MOUNTING HARDWARE (24VDC)
17	385311294	KIT, O'RING PLUG-IN BASE
18	385311013	FLOOR FLANGE ADPT (INC. ITEM 21)
19	385310064	MOUNTING HARDWARE
N/S	385311417	KIT, BASE DRIVE ARMS
N/S	385311639	KIT, FLUSH SWITCH 3626/12VDC
	385311640	KIT, FLUSH SWITCH 3626/24VDC
N/S	385311636	KIT, MIXING VALVE 3626



# PARTS LIST: 4606 MODEL SERIES

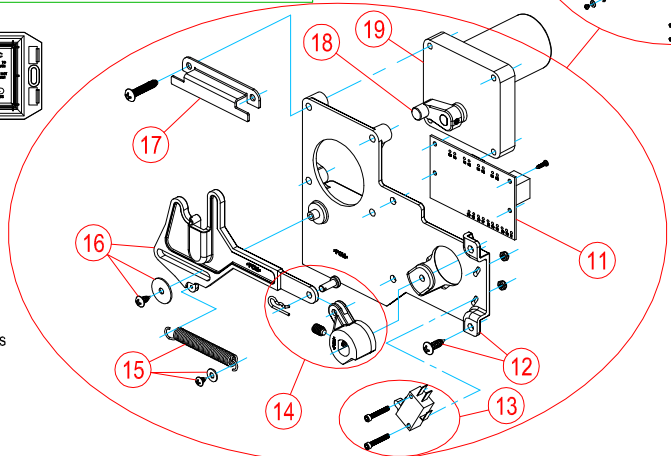
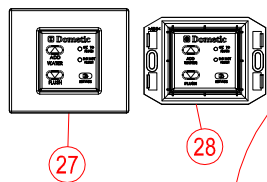
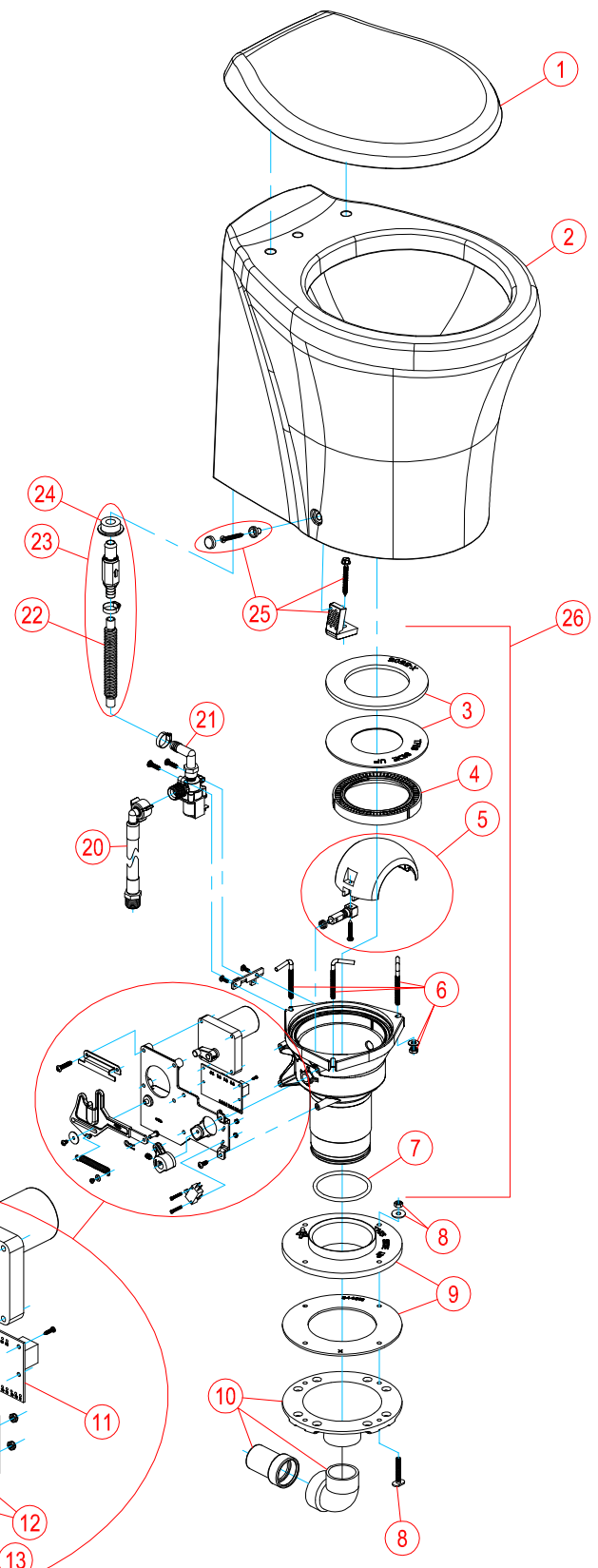
ITEM	PART NUMBER & DESCRIPTION		
		27	313408010 VF CONTROL PNL-STD GRAY 313408020 VF CONTROL PNL-STD WHT
1	385311618 SEAT/COVER SLOW-CLOSE - WHITE 385311619 SEAT/COVER SLOW-CLOSE - BONE	28	313408030 VF CONTROL PNL-PLAYBUS GRY
2	385311867 4600 SHORT BOWL KIT - WHITE 385311868 4600 SHORT BOWL KIT - BONE		
3	385311009 FLUSH BALL SEAL REPL KIT **INCLUDES ITEMS 6.		
4	385311292 BASE FLUSH BALL RING KIT		
5	385310969 FLUSH BALL/SHAFT REPL KIT		
6	385311011 BASE TO BOWL MOUNTING HARDWARE		
7	385311294 BASE O'RING REPL KIT		
8	385310064 FLOOR FLANGE MOUNTING HARDWARE		
9	385311013 FLOOR FLANGE ADAPTER KIT **INCLUDES ITEMS 8.		
10	385318864 VF FUNNEL KIT **INCLUDES ITEMS 8.		
11	385311690 CONTROL MODULE		
12	385311394 FLUSH MECHANISM w/MTG BRACKET **INCLUDES ITEMS 13, 14, 15, 16, 17.		
13	385311673 FLUSH ACTUATION SWITCH		
14	385311296 FLUSH BALL CAM REPL KIT		
15	385311393 FLUSH MECHANISM RETURN SPRING		
16	385311392 FLUSH MECHANISM LINKAGE		
17	385311429 FLUSH LINKAGE GUIDE BRACKET		
18	385311299 MOTOR DRIVE ARM REPL KIT		
19	385311300 MOTOR REPLACEMENT KIT - 12VDC 385311390 MOTOR REPLACEMENT KIT - 24VDC **INCLUDES ITEM 18.		
20	385311547 WATER SUPPLY HOSE		
21	385311545 WATER VALVE KIT - 12VDC 385311546 WATER VALVE KIT - 24VDC		
22	385311869 CORRUGATED SUPPLY HOSE		
23	385311384 CHECK VALVE w/HOSE **INCLUDES ITEM 22 & 24.		
24	385311164 1/2" SEALING GROMMET		
25	385311463 BOWL MOUNTING HARDWARE KIT		
26	385311395 '06 PLUG-IN BASE KIT - 12VDC 385311396 '06 PLUG-IN BASE KIT - 24VDC **INCLUDES ITEMS 3-7 & 11-23.		



Dometic Corporation - Sanitation Systems  
13128 State Rt. 226, P.O. Box 38  
Big Prairie, OH 44611-0038 USA  
Telephone: 330-496-3211  
Fax: 330-496-3097  
Email: sealand@dometicusa.com

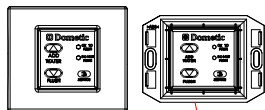
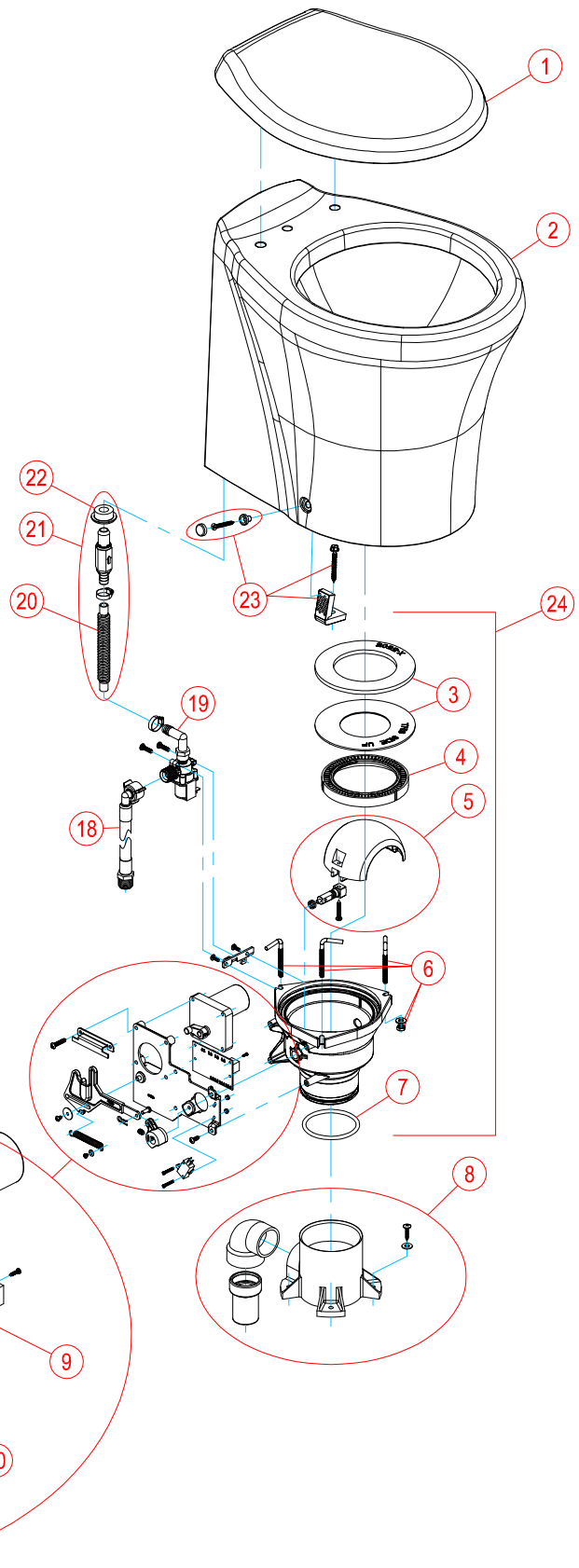
# PARTS LIST: 4609 MODEL SERIES

ITEM	PART NUMBER & DESCRIPTION
1	385311618 SEAT/COVER SLOW-CLOSE - WHITE 385311619 SEAT/COVER SLOW-CLOSE - BONE
2	385311870 4600 TALL BOWL KIT - WHITE 385311871 4600 TALL BOWL KIT - BONE
3	385311009 FLUSH BALL SEAL REPL KIT <b>**INCLUDES ITEMS 6.</b>
4	385311292 BASE FLUSH BALL RING KIT
5	385310969 FLUSH BALL/SHAFT REPL KIT
6	385311011 BASE TO BOWL MOUNTING HARDWARE
7	385311294 BASE O'RING REPL KIT
8	385310064 FLOOR FLANGE MOUNTING HARDWARE
9	385311013 FLOOR FLANGE ADAPTER KIT <b>**INCLUDES ITEMS 8.</b>
10	385318864 VF FUNNEL KIT <b>**INCLUDES ITEMS 8.</b>
11	385311690 CONTROL MODULE
12	385311394 FLUSH MECHANISM w/MTG BRACKET <b>**INCLUDES ITEMS 13, 14, 15, 16, 17.</b>
13	385311673 FLUSH ACTUATION SWITCH
14	385311296 FLUSH BALL CAM REPL KIT
15	385311393 FLUSH MECHANISM RETURN SPRING
16	385311392 FLUSH MECHANISM LINKAGE
17	385311429 FLUSH LINKAGE GUIDE BRACKET
18	385311299 MOTOR DRIVE ARM REPL KIT
19	385311300 MOTOR REPLACEMENT KIT - 12VDC 385311390 MOTOR REPLACEMENT KIT - 24VDC <b>**INCLUDES ITEM 18.</b>
20	385311547 WATER SUPPLY HOSE
21	385311545 WATER VALVE KIT - 12VDC 385311546 WATER VALVE KIT - 24VDC
22	385311869 CORRUGATED SUPPLY HOSE
23	385311384 CHECK VALVE w/HOSE <b>**INCLUDES ITEM 22 &amp; 24.</b>
24	385311164 1/2" SEALING GROMMET
25	385311463 BOWL MOUNTING HARDWARE KIT
26	385311397 '09 PLUG-IN BASE KIT - 12VDC 385311398 '09 PLUG-IN BASE KIT - 24VDC <b>**INCLUDES ITEMS 3-7 &amp; 11-23.</b>
27	313408010 VF CONTROL PNL-STD GRAY 313408020 VF CONTROL PNL-STD WHT
28	313408030 VF CONTROL PNL-PLAYBUS GRAY



# PARTS LIST: 4648 MODEL SERIES

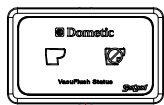
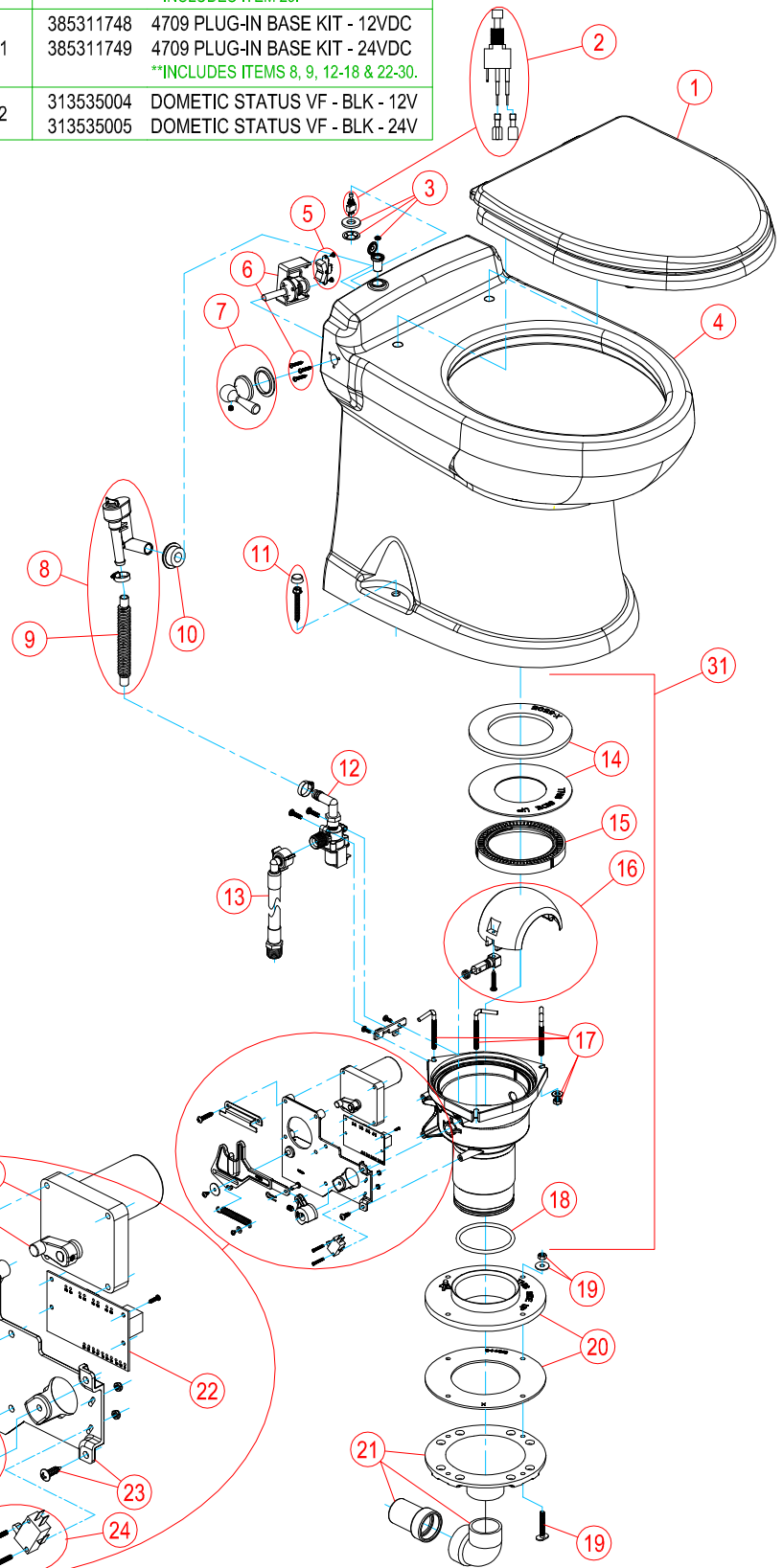
ITEM	PART NUMBER & DESCRIPTION
1	385311618 SEAT/COVER SLOW-CLOSE - WHITE 385311619 SEAT/COVER SLOW-CLOSE - BONE
2	385311870 4600 TALL BOWL KIT - WHITE 385311871 4600 TALL BOWL KIT - BONE
3	385311009 FLUSH BALL SEAL REPL KIT <b>**INCLUDES ITEMS 6.</b>
4	385311292 BASE FLUSH BALL RING KIT
5	385310969 FLUSH BALL/SHAFT REPL KIT
6	385311011 BASE TO BOWL MOUNTING HARDWARE
7	385311294 BASE O'RING REPL KIT
8	385311056 ABOVE FLOOR DISCHARGE ADAPT KIT
9	385311690 CONTROL MODULE
10	385311394 FLUSH MECHANISM w/MTG BRACKET <b>**INCLUDES ITEMS 11, 12, 13, 14, 15.</b>
11	385311673 FLUSH ACTUATION SWITCH
12	385311296 FLUSH BALL CAM REPL KIT
13	385311393 FLUSH MECHANISM RETURN SPRING
14	385311392 FLUSH MECHANISM LINKAGE
15	385311429 FLUSH LINKAGE GUIDE BRACKET
16	385311299 MOTOR DRIVE ARM REPL KIT
17	385311300 MOTOR REPLACEMENT KIT - 12VDC 385311390 MOTOR REPLACEMENT KIT - 24VDC <b>**INCLUDES ITEM 16.</b>
18	385311547 WATER SUPPLY HOSE
19	385311545 WATER VALVE KIT - 12VDC 385311546 WATER VALVE KIT - 24VDC
20	385311869 CORRUGATED SUPPLY HOSE
21	385311384 CHECK VALVE w/HOSE <b>**INCLUDES ITEM 20 &amp; 22.</b>
22	385311164 1/2" SEALING GROMMET
23	385311463 BOWL MOUNTING HARDWARE KIT
24	385311399 '48 PLUG-IN BASE KIT - 12VDC 385311400 '48 PLUG-IN BASE KIT - 24VDC <b>**INCLUDES ITEMS 3-7 &amp; 9-21.</b>
25	313408010 VF CONTROL PNL-STD GRAY 313408020 VF CONTROL PNL-STD WHT
26	313408030 VF CONTROL PNL-PLAYBUS GRY



Dometic Corporation - Sanitation Systems  
13128 State Rt. 226, P.O. Box 38  
Big Prairie, OH 44611-0038 USA  
Telephone: 330-496-3211  
Fax: 330-496-3097  
Email: sealand@dometicusa.com

# PARTS LIST: 4709 MODEL SERIES w/FLUSH HANDLE

ITEM	PART NUMBER & DESCRIPTION			
1	385311005 SEAT/COVER - WHITE	30	385311300 MOTOR REP'L KIT - 12VDC	
	385311006 SEAT/COVER - BONE		385311390 MOTOR REP'L KIT - 24VDC <b>**INCLUDES ITEM 29.</b>	
2	385311752 SERVICE SWITCH REPLACEMENT	31	385311748 4709 PLUG-IN BASE KIT - 12VDC	
3	385311750 SERVICE SWITCH HOUSING - WHITE 385311751 SERVICE SWITCH HOUSING - BONE		385311749 4709 PLUG-IN BASE KIT - 24VDC <b>**INCLUDES ITEMS 8, 9, 12-18 &amp; 22-30.</b>	
4	385311730 4700 BOWL KIT - WHITE 385311731 4700 BOWL KIT - BONE	32	313535004 DOMETIC STATUS VF - BLK - 12V	
5	385311703 FLUSH HANDLE SWITCH w/WIRING		313535005 DOMETIC STATUS VF - BLK - 24V	
6	385311704 FLUSH HANDLE ASSEMBLY <b>**INCLUDES ITEM 5.</b>			
7	385310962 FLUSH HANDLE KIT - CHROME			
	385310963 FLUSH HANDLE KIT - GOLD			
	385311141 FLUSH HANDLE KIT - NICKLE			
8	385310807 VACUUM BREAKER KIT <b>**INCLUDES ITEMS 9 &amp; 10.</b>			
9	385311869 CORRUGATED SUPPLY HOSE			
10	385311164 1/2" SEALING GROMMET			
11	385311022 BOWL MOUNTING HARDWARE			
12	385311545 WATER VALVE KIT - 12VDC			
	385311546 WATER VALVE KIT - 24VDC			
13	385311547 WATER SUPPLY HOSE			
14	385311009 FLUSH BALL SEAL REP'L KIT <b>**INCLUDES ITEMS 17.</b>			
15	385311292 BASE FLUSH BALL RING KIT			
16	385310969 FLUSH BALL/SHAFT REP'L KIT			
17	385311011 BASE TO BOWL MOUNTING HARDWARE			
18	385311294 BASE O'RING REP'L KIT			
19	385310064 FLOOR FLANGE MOUNTING HARDWARE			
20	385311013 FLOOR FLANGE ADAPTER KIT <b>**INCLUDES ITEMS 19.</b>			
21	385318864 VF FUNNEL KIT <b>**INCLUDES ITEMS 19.</b>			
22	385311690 CONTROL MODULE			
23	385311394 FLUSH MECHANISM w/MTG BRACKET <b>**INCLUDES ITEMS 24, 25, 26, 27, 28.</b>			
24	385311673 FLUSH ACTUATION SWITCH			
25	385311296 FLUSH BALL CAM REP'L KIT			
26	385311393 FLUSH MECHANISM RETURN SPRING			
27	385311392 FLUSH MECHANISM LINKAGE			
28	385311429 FLUSH LINKAGE GUIDE BRACKET			
29	385311299 MOTOR DRIVE ARM REP'L KIT			

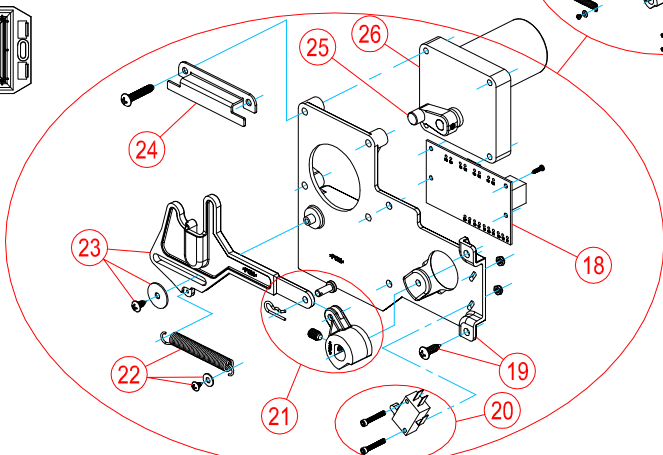
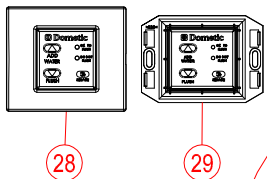
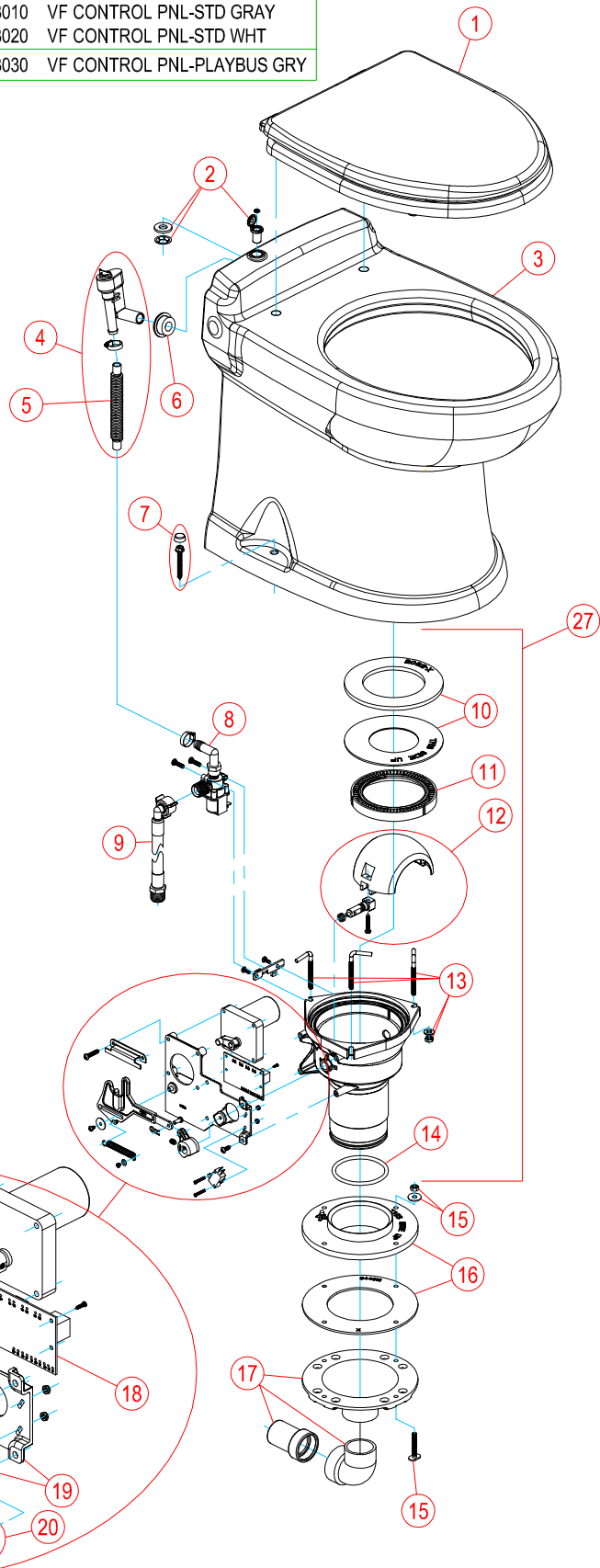


32

Dometic Corporation -  
Sanitation Systems  
13128 State Rt. 226, P.O. Box 38  
Big Prairie, OH 44611-0038 USA  
Telephone: 330-496-3211  
Fax: 330-496-3097  
Email: sealand@dometicusa.com

## PARTS LIST: 4709 MODEL SERIES w/FLUSH SWITCH

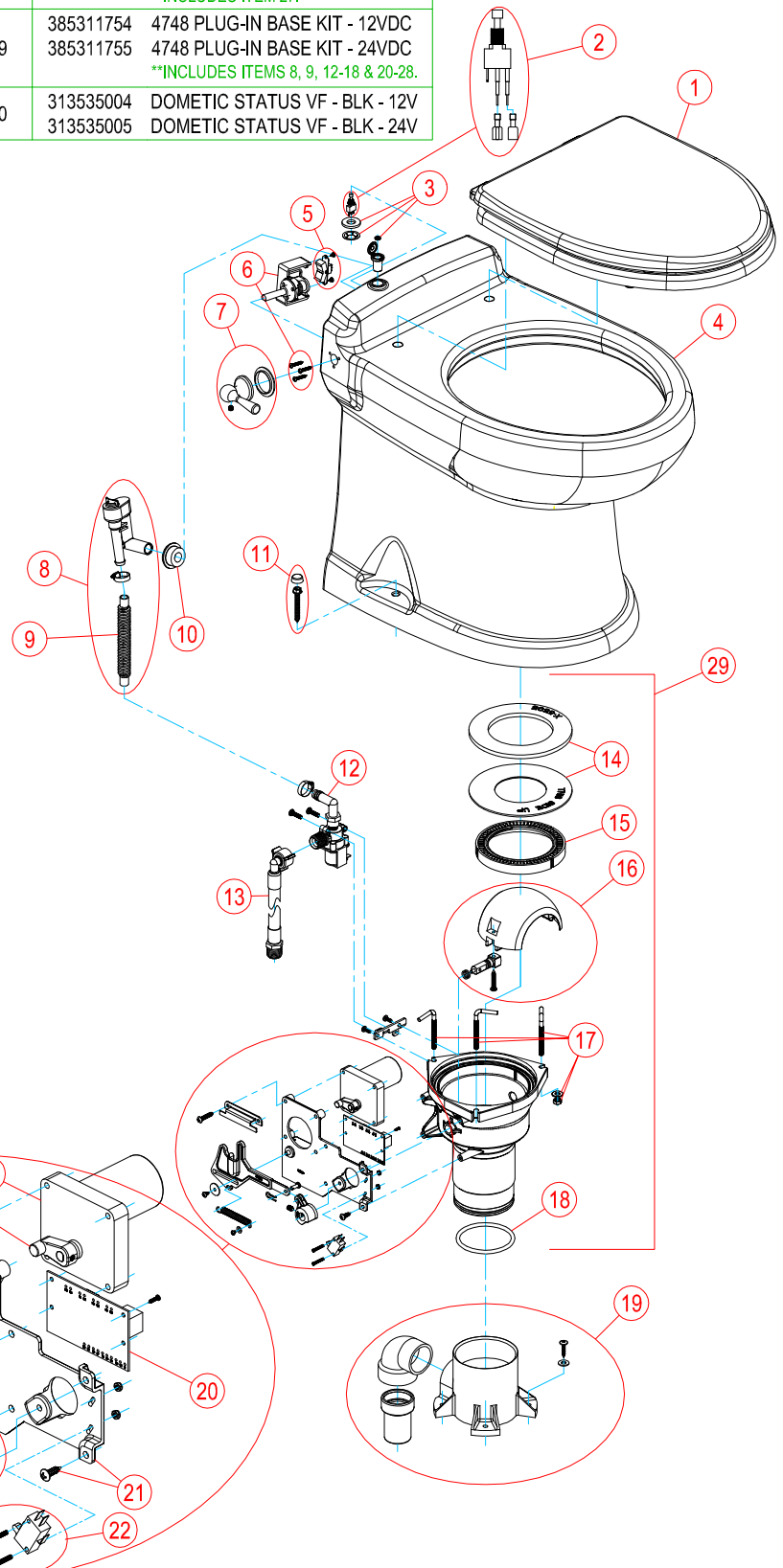
ITEM	PART NUMBER & DESCRIPTION			
		28	313408010	VF CONTROL PNL-STD GRAY
1	385311005 SEAT/COVER - WHITE 385311006 SEAT/COVER - BONE		313408020	VF CONTROL PNL-STD WHT
		29	313408030	VF CONTROL PNL-PLAYBUS GRY
2	385311750 SERVICE SWITCH HOUSING - WHITE 385311751 SERVICE SWITCH HOUSING - BONE			
3	385311730 4700 BOWL KIT - WHITE 385311731 4700 BOWL KIT - BONE			
4	385310807 VACUUM BREAKER KIT <b>**INCLUDES ITEMS 5 &amp; 6.</b>			
5	385311869 CORRUGATED SUPPLY HOSE			
6	385311164 1/2" SEALING GROMMET			
7	385311022 BOWL MOUNTING HARDWARE			
8	385311545 WATER VALVE KIT - 12VDC 385311546 WATER VALVE KIT - 24VDC			
9	385311547 WATER SUPPLY HOSE			
10	385311009 FLUSH BALL SEAL REPL KIT <b>**INCLUDES ITEMS 13.</b>			
11	385311292 BASE FLUSH BALL RING KIT			
12	385310969 FLUSH BALL/SHAFT REPL KIT			
13	385311011 BASE TO BOWL MOUNTING HARDWARE			
14	385311294 BASE O'RING REPL KIT			
15	385310064 FLOOR FLANGE MOUNTING HARDWARE			
16	385311013 FLOOR FLANGE ADAPTER KIT <b>**INCLUDES ITEMS 15.</b>			
17	385318864 VF FUNNEL KIT <b>**INCLUDES ITEMS 15.</b>			
18	385311690 CONTROL MODULE			
19	385311394 FLUSH MECHANISM w/MTG BRACKET <b>**INCLUDES ITEMS 20, 21, 22, 23, 24.</b>			
20	385311673 FLUSH ACTUATION SWITCH			
21	385311296 FLUSH BALL CAM REPL KIT			
22	385311393 FLUSH MECHANISM RETURN SPRING			
23	385311392 FLUSH MECHANISM LINKAGE			
24	385311429 FLUSH LINKAGE GUIDE BRACKET			
25	385311299 MOTOR DRIVE ARM REPL KIT			
26	385311300 MOTOR REPLACEMENT KIT - 12VDC 385311390 MOTOR REPLACEMENT KIT - 24VDC <b>**INCLUDES ITEM 25.</b>			
27	385311748 4709 PLUG-IN BASE KIT - 12VDC 385311749 4709 PLUG-IN BASE KIT - 24VDC <b>**INCLUDES ITEMS 4, 5, 8-14 &amp; 18-26.</b>			





# PARTS LIST: 4748 MODEL SERIES w/FLUSH HANDLE

ITEM	PART NUMBER & DESCRIPTION			
1	385311005 SEAT/COVER - WHITE	28	385311300 MOTOR REP'L KIT - 12VDC	29
	385311006 SEAT/COVER - BONE		385311390 MOTOR REP'L KIT - 24VDC <b>**INCLUDES ITEM 27.</b>	
2	385311752 SERVICE SWITCH REPLACEMENT	29	385311754 4748 PLUG-IN BASE KIT - 12VDC	30
3	385311750 SERVICE SWITCH HOUSING - WHITE 385311751 SERVICE SWITCH HOUSING - BONE		385311755 4748 PLUG-IN BASE KIT - 24VDC <b>**INCLUDES ITEMS 8, 9, 12-18 &amp; 20-28.</b>	
4	385311730 4700 BOWL KIT - WHITE 385311731 4700 BOWL KIT - BONE	30	313535004 DOMETIC STATUS VF - BLK - 12V	313535005 DOMETIC STATUS VF - BLK - 24V
5	385311703 FLUSH HANDLE SWITCH w/WIRING			
6	385311704 FLUSH HANDLE ASSEMBLY <b>**INCLUDES ITEM 5.</b>			
7	385310962 FLUSH HANDLE KIT - CHROME			
	385310963 FLUSH HANDLE KIT - GOLD			
	385311141 FLUSH HANDLE KIT - NICKLE			
8	385310807 VACUUM BREAKER KIT <b>**INCLUDES ITEMS 9 &amp; 10.</b>			
9	385311869 CORRUGATED SUPPLY HOSE			
10	385311164 1/2" SEALING GROMMET			
11	385311022 BOWL MOUNTING HARDWARE			
12	385311545 WATER VALVE KIT - 12VDC			
	385311546 WATER VALVE KIT - 24VDC			
13	385311547 WATER SUPPLY HOSE			
14	385311009 FLUSH BALL SEAL REP'L KIT <b>**INCLUDES ITEMS 17.</b>			
15	385311292 BASE FLUSH BALL RING KIT			
16	385310969 FLUSH BALL/SHAFT REP'L KIT			
17	385311011 BASE TO BOWL MOUNTING HARDWARE			
18	385311294 BASE O'RING REP'L KIT			
19	385311056 ABOVE FLOOR DISCHARGE ADAPT KIT			
20	385311690 CONTROL MODULE			
21	385311394 FLUSH MECHANISM w/MTG BRACKET <b>**INCLUDES ITEMS 22, 23, 24, 25, 26.</b>			
22	385311673 FLUSH ACTUATION SWITCH			
23	385311296 FLUSH BALL CAM REP'L KIT			
24	385311393 FLUSH MECHANISM RETURN SPRING			
25	385311392 FLUSH MECHANISM LINKAGE			
26	385311429 FLUSH LINKAGE GUIDE BRACKET			
27	385311299 MOTOR DRIVE ARM REP'L KIT			



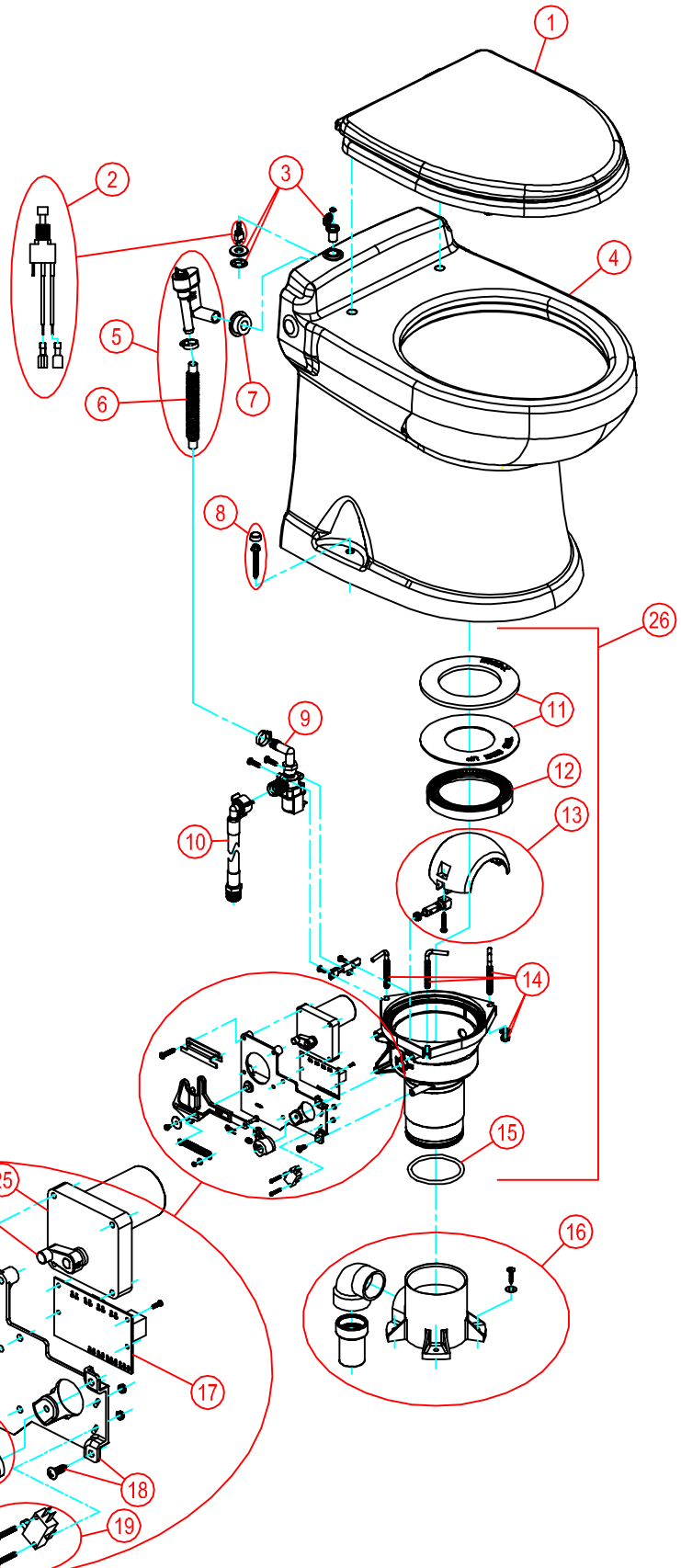
30

Domestic Corporation -  
Sanitation Systems  
13128 State Rt. 226, P.O. Box 38  
Big Prairie, OH 44611-0038 USA  
Telephone: 330-496-3211  
Fax: 330-496-3097  
Email: sealand@domesticusa.com



# PARTS LIST: 4748 MODEL SERIES w/FLUSH SWITCH

ITEM	PART NUMBER & DESCRIPTION
1	385311005 SEAT/COVER - WHITE 385311006 SEAT/COVER - BONE
2	385311752 SERVICE SWITCH REPLACEMENT
3	385311750 SERVICE SWITCH HOUSING - WHITE 385311751 SERVICE SWITCH HOUSING - BONE
4	385311730 4700 BOWL KIT - WHITE 385311731 4700 BOWL KIT - BONE
5	385310807 VACUUM BREAKER KIT <b>**INCLUDES ITEMS 6 &amp; 7.</b>
6	385311869 CORRUGATED SUPPLY HOSE
7	385311164 1/2" SEALING GROMMET
8	385311022 BOWL MOUNTING HARDWARE
9	385311545 WATER VALVE KIT - 12VDC 385311546 WATER VALVE KIT - 24VDC
10	385311547 WATER SUPPLY HOSE
11	385311009 FLUSH BALL SEAL REP'L KIT <b>**INCLUDES ITEMS 14.</b>
12	385311292 BASE FLUSH BALL RING KIT
13	385310969 FLUSH BALL/SHAFT REP'L KIT
14	385311011 BASE TO BOWL MOUNTING HARDWARE
15	385311294 BASE O'RING REP'L KIT
16	385311056 ABOVE FLOOR DISCHARGE ADAPT KIT
17	385311690 CONTROL MODULE
18	385311394 FLUSH MECHANISM w/MTG BRACKET <b>**INCLUDES ITEMS 19, 20, 21, 22, 23.</b>
19	385311673 FLUSH ACTUATION SWITCH
20	385311296 FLUSH BALL CAM REP'L KIT
21	385311393 FLUSH MECHANISM RETURN SPRING
22	385311392 FLUSH MECHANISM LINKAGE
23	385311429 FLUSH LINKAGE GUIDE BRACKET
24	385311299 MOTOR DRIVE ARM REP'L KIT
25	385311300 MOTOR REPLACEMENT KIT - 12VDC 385311390 MOTOR REPLACEMENT KIT - 24VDC <b>**INCLUDES ITEM 24.</b>
26	385311754 4748 PLUG-IN BASE KIT - 12VDC 385311755 4748 PLUG-IN BASE KIT - 24VDC <b>**INCLUDES ITEMS 5, 6, 9-15 &amp; 17-25.</b>
27	313400021 DOMETIC TOUCHPAD VF - BLACK 313400022 DOMETIC TOUCHPAD VF - WHITE

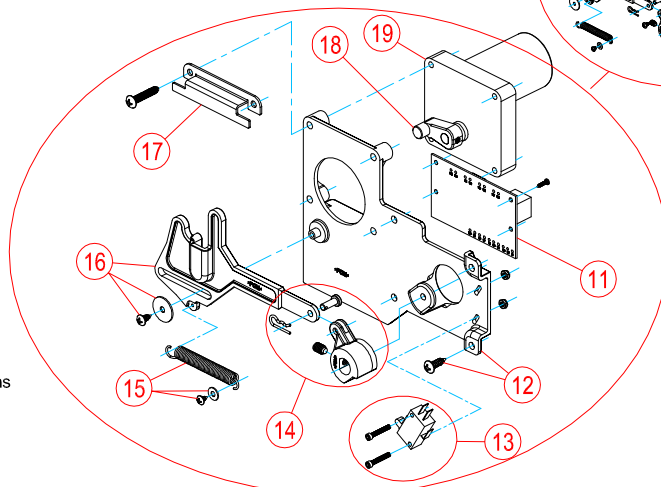
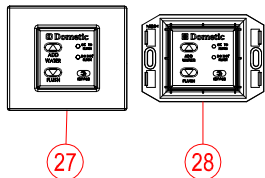
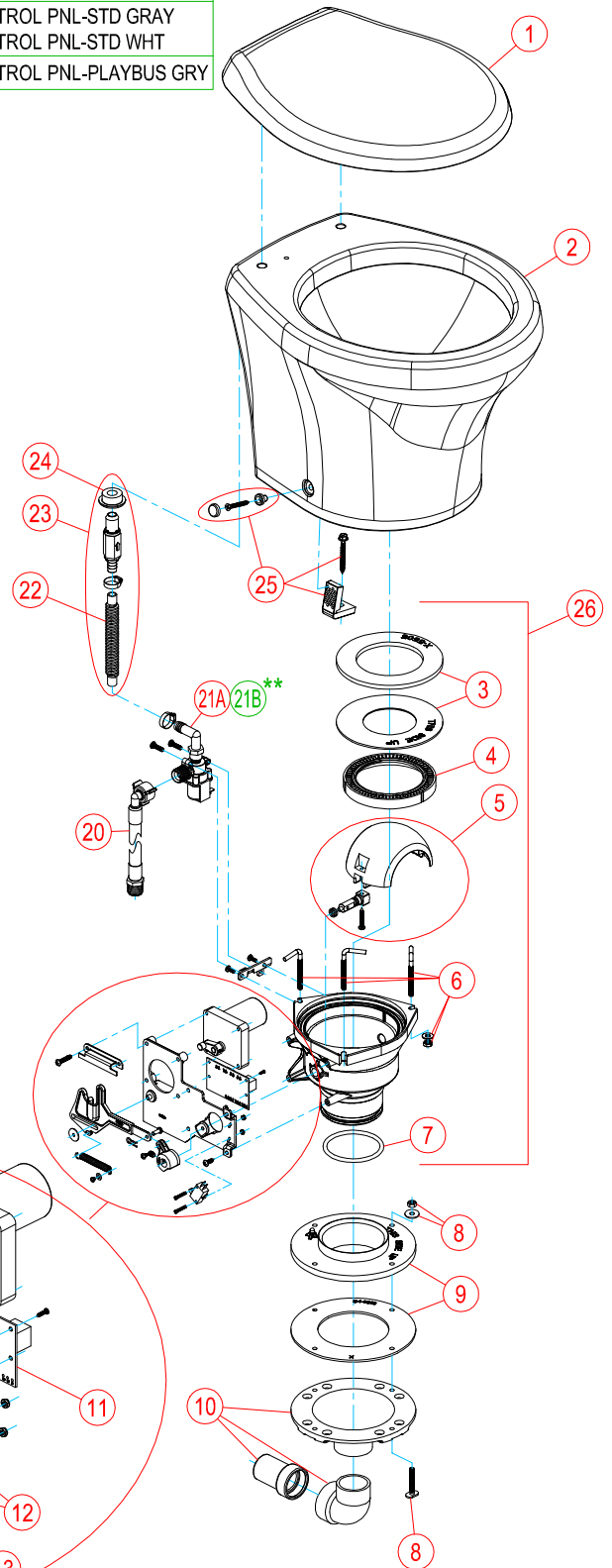


27

Dometic Corporation - Sanitation Systems  
13128 State Rt. 226, P.O. Box 38  
Big Prairie, OH 44611-0038 USA  
Telephone: 330-496-3211  
Fax: 330-496-3097  
Email: sealand@dometicusa.com

# PARTS LIST: 4806 MODEL SERIES

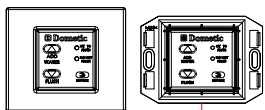
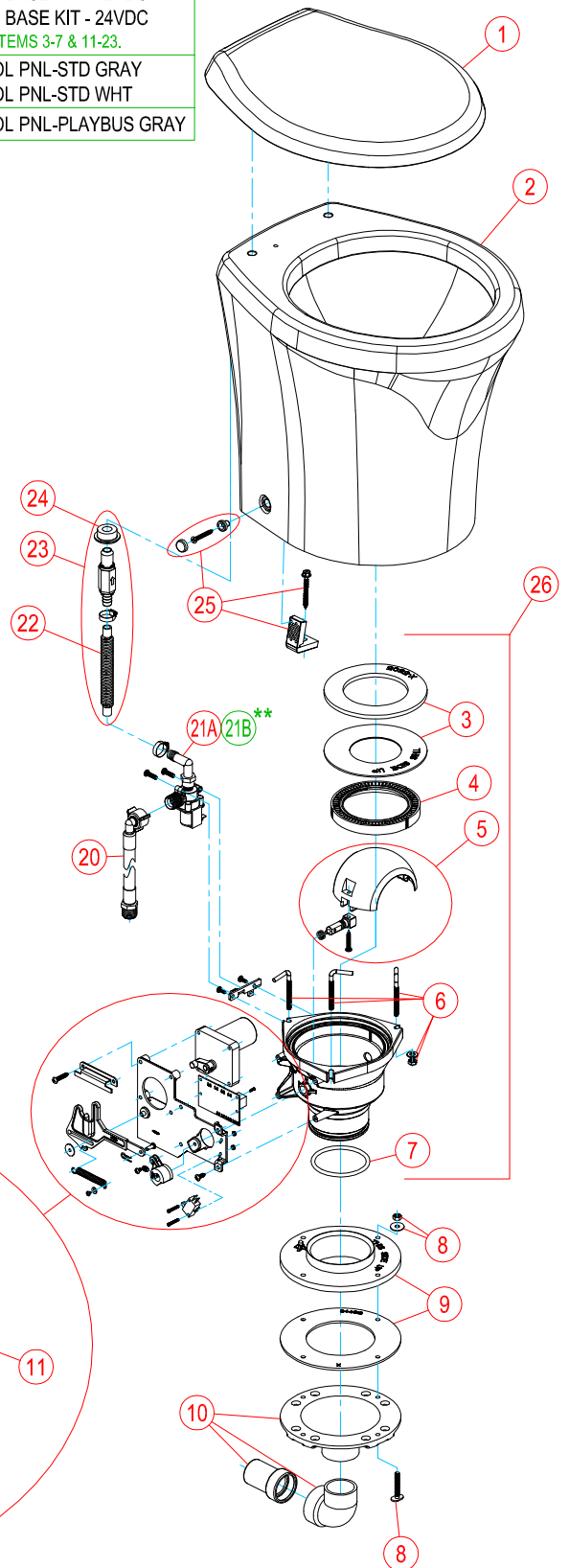
ITEM	PART NUMBER & DESCRIPTION		
1	385311618 SEAT/COVER SLOW-CLOSE - WHITE	26	385311395 '06 PLUG-IN BASE KIT - 12VDC
	385311619 SEAT/COVER SLOW-CLOSE - BONE		385311396 '06 PLUG-IN BASE KIT - 24VDC <b>**INCLUDES ITEMS 3-7 &amp; 11-23.</b>
2	385311378 4800 SHORT BOWL KIT - WHITE	27	313408010 VF CONTROL PNL-STD GRAY
	385311379 4800 SHORT BOWL KIT - BONE		313408020 VF CONTROL PNL-STD WHT
3	385311009 FLUSH BALL SEAL REPL KIT <b>**INCLUDES ITEMS 6.</b>	28	313408030 VF CONTROL PNL-PLAYBUS GRY
4	385311292 BASE FLUSH BALL RING KIT		
5	385310969 FLUSH BALL/SHAFT REPL KIT		
6	385311011 BASE TO BOWL MOUNTING HARDWARE		
7	385311294 BASE O'RING REPL KIT		
8	385310064 FLOOR FLANGE MOUNTING HARDWARE		
9	385311013 FLOOR FLANGE ADAPTER KIT <b>**INCLUDES ITEMS 8.</b>		
10	385318864 VF FUNNEL KIT <b>**INCLUDES ITEMS 8.</b>		
11	385311690 CONTROL MODULE		
12	385311394 FLUSH MECHANISM w/MTG BRACKET <b>**INCLUDES ITEMS 13, 14, 15, 16, 17.</b>		
13	385311673 FLUSH ACTUATION SWITCH		
14	385311296 FLUSH BALL CAM REPL KIT		
15	385311393 FLUSH MECHANISM RETURN SPRING		
16	385311392 FLUSH MECHANISM LINKAGE		
17	385311429 FLUSH LINKAGE GUIDE BRACKET		
18	385311299 MOTOR DRIVE ARM REPL KIT		
19	385311300 MOTOR REPLACEMENT KIT - 12VDC		
	385311390 MOTOR REPLACEMENT KIT - 24VDC <b>**INCLUDES ITEM 18.</b>		
20	385311547 WATER SUPPLY HOSE		
21A	385311545 WATER VALVE KIT - 12VDC		
	385311546 WATER VALVE KIT - 24VDC		
21B**	385311709 RETROFIT WATER VALVE KIT - 12VDC		
	385311710 RETROFIT WATER VALVE KIT - 24VDC <b>**INCLUDES MOUNTING BRACKET. **FOR 2009 &amp; OLDER MODEL TOILETS.</b>		
22	385311869 CORRUGATED SUPPLY HOSE		
23	385311384 CHECK VALVE w/HOSE <b>**INCLUDES ITEM 22 &amp; 24.</b>		
24	385311164 1/2" SEALING GROMMET		
25	385311463 BOWL MOUNTING HARDWARE KIT		



Dometic Corporation - Sanitation Systems  
13128 State Rt. 226, P.O. Box 38  
Big Prairie, OH 44611-0038 USA  
Telephone: 330-496-3211  
Fax: 330-496-3097  
Email: sealand@dometicusa.com

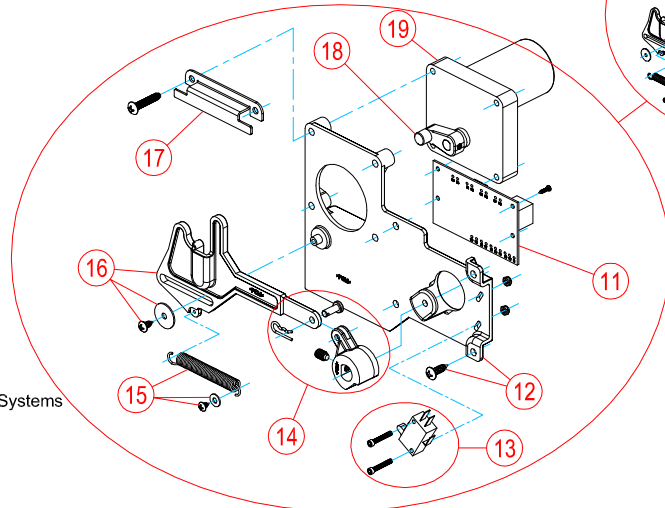
# PARTS LIST: 4809 MODEL SERIES

ITEM	PART NUMBER & DESCRIPTION		PART NUMBER & DESCRIPTION
		25	385311463 BOWL MOUNTING HARDWARE KIT
1	385311618 SEAT/COVER SLOW-CLOSE - WHITE 385311619 SEAT/COVER SLOW-CLOSE - BONE	26	385311397 '09 PLUG-IN BASE KIT - 12VDC 385311398 '09 PLUG-IN BASE KIT - 24VDC <b>**INCLUDES ITEMS 3-7 &amp; 11-23.</b>
2	385311380 4800 TALL BOWL KIT - WHITE 385311381 4800 TALL BOWL KIT - BONE	27	313408010 VF CONTROL PNL-STD GRAY 313408020 VF CONTROL PNL-STD WHT
3	385311009 FLUSH BALL SEAL REPL KIT <b>**INCLUDES ITEMS 6.</b>	28	313408030 VF CONTROL PNL-PLAYBUS GRAY
4	385311292 BASE FLUSH BALL RING KIT		
5	385310969 FLUSH BALL/SHAFT REPL KIT		
6	385311011 BASE TO BOWL MOUNTING HARDWARE		
7	385311294 BASE O'RING REPL KIT		
8	385310064 FLOOR FLANGE MOUNTING HARDWARE		
9	385311013 FLOOR FLANGE ADAPTER KIT <b>**INCLUDES ITEMS 8.</b>		
10	385318864 VF FUNNEL KIT <b>**INCLUDES ITEMS 8.</b>		
11	385311690 CONTROL MODULE		
12	385311394 FLUSH MECHANISM w/MTG BRACKET <b>**INCLUDES ITEMS 13, 14, 15, 16, 17.</b>		
13	385311673 FLUSH ACTUATION SWITCH		
14	385311296 FLUSH BALL CAM REPL KIT		
15	385311393 FLUSH MECHANISM RETURN SPRING		
16	385311392 FLUSH MECHANISM LINKAGE		
17	385311429 FLUSH LINKAGE GUIDE BRACKET		
18	385311299 MOTOR DRIVE ARM REPL KIT		
19	385311300 MOTOR REPLACEMENT KIT - 12VDC 385311390 MOTOR REPLACEMENT KIT - 24VDC <b>**INCLUDES ITEM 18.</b>		
20	385311547 WATER SUPPLY HOSE		
21A	385311545 WATER VALVE KIT - 12VDC 385311546 WATER VALVE KIT - 24VDC		
21B**	385311709 RETROFIT WATER VALVE KIT - 12VDC 385311710 RETROFIT WATER VALVE KIT - 24VDC <b>**INCLUDES MOUNTING BRACKET. **FOR 2009 &amp; OLDER MODEL TOILETS.</b>		
22	385311869 CORRUGATED SUPPLY HOSE		
23	385311384 CHECK VALVE w/HOSE <b>**INCLUDES ITEM 22 &amp; 24.</b>		
24	385311164 1/2" SEALING GROMMET		



27

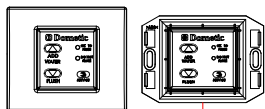
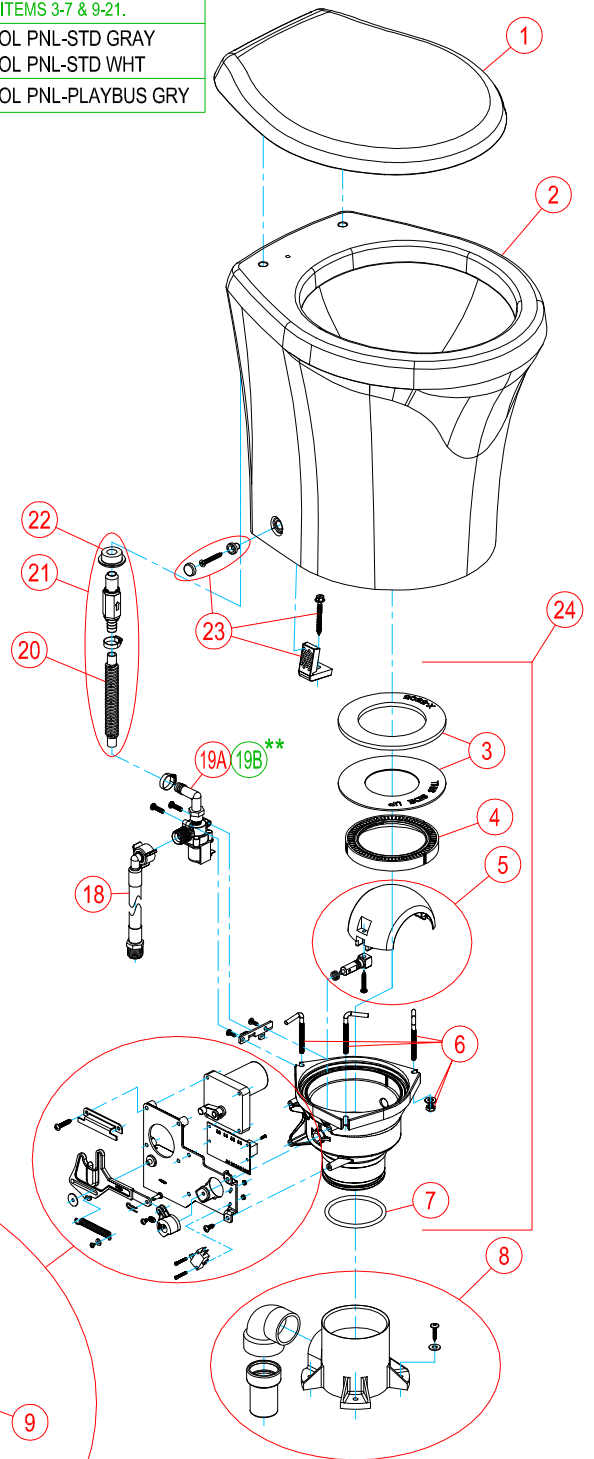
28



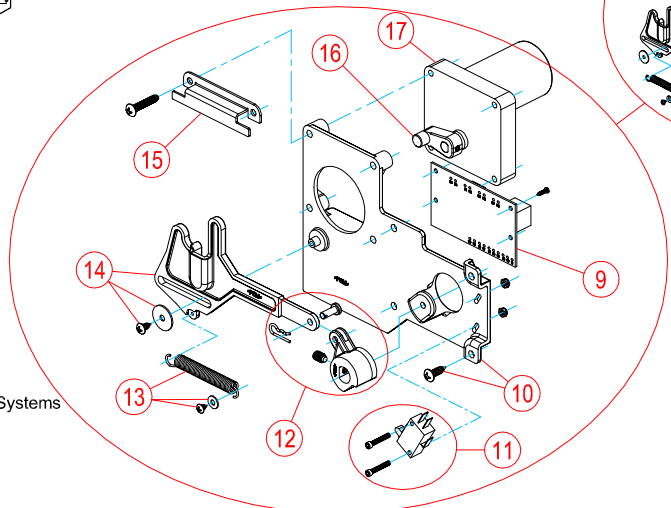
Dometic Corporation - Sanitation Systems  
13128 State Rt. 226, P.O. Box 38  
Big Prairie, OH 44611-0038 USA  
Telephone: 330-496-3211  
Fax: 330-496-3097  
Email: sealand@dometicusa.com

# PARTS LIST: 4848 MODEL SERIES

ITEM	PART NUMBER & DESCRIPTION		
1	385311618 SEAT/COVER SLOW-CLOSE - WHITE	24	385311399 '48 PLUG-IN BASE KIT - 12VDC
	385311619 SEAT/COVER SLOW-CLOSE - BONE		385311400 '48 PLUG-IN BASE KIT - 24VDC <b>**INCLUDES ITEMS 3-7 &amp; 9-21.</b>
2	385311380 4800 TALL BOWL KIT - WHITE	25	313408010 VF CONTROL PNL-STD GRAY
	385311381 4800 TALL BOWL KIT - BONE		313408020 VF CONTROL PNL-STD WHT
3	385311009 FLUSH BALL SEAL REPL KIT <b>**INCLUDES ITEMS 6.</b>	26	313408030 VF CONTROL PNL-PLAYBUS GRY
4	385311292 BASE FLUSH BALL RING KIT		
5	385310969 FLUSH BALL/SHAFT REPL KIT		
6	385311011 BASE TO BOWL MOUNTING HARDWARE		
7	385311294 BASE O'RING REPL KIT		
8	385311056 ABOVE FLOOR DISCHARGE ADAPT KIT		
9	385311690 CONTROL MODULE		
10	385311394 FLUSH MECHANISM w/MTG BRACKET <b>**INCLUDES ITEMS 11, 12, 13, 14, 15.</b>		
11	385311673 FLUSH ACTUATION SWITCH		
12	385311296 FLUSH BALL CAM REPL KIT		
13	385311393 FLUSH MECHANISM RETURN SPRING		
14	385311392 FLUSH MECHANISM LINKAGE		
15	385311429 FLUSH LINKAGE GUIDE BRACKET		
16	385311299 MOTOR DRIVE ARM REPL KIT		
17	385311300 MOTOR REPLACEMENT KIT - 12VDC		
	385311390 MOTOR REPLACEMENT KIT - 24VDC <b>**INCLUDES ITEM 16.</b>		
18	385311547 WATER SUPPLY HOSE		
19A	385311545 WATER VALVE KIT - 12VDC		
	385311546 WATER VALVE KIT - 24VDC		
19B**	385311709 RETROFIT WATER VALVE KIT - 12VDC		
	385311710 RETROFIT WATER VALVE KIT - 24VDC <b>**INCLUDES MOUNTING BRACKET. **FOR 2009 &amp; OLDER MODEL TOILETS.</b>		
20	385311869 CORRUGATED SUPPLY HOSE		
21	385311384 CHECK VALVE w/HOSE <b>**INCLUDES ITEM 20 &amp; 22.</b>		
22	385311164 1/2" SEALING GROMMET		
23	385311463 BOWL MOUNTING HARDWARE KIT		



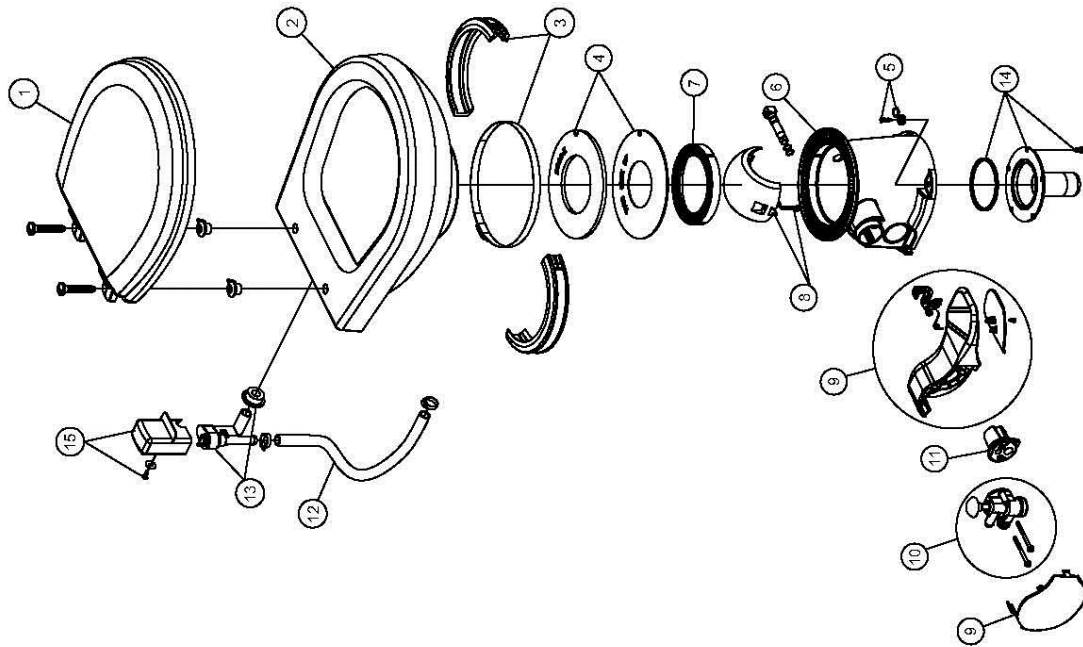
25 26



Dometic Corporation - Sanitation Systems  
13128 State Rt. 226, P.O. Box 38  
Big Prairie, OH 44611-0038 USA  
Telephone: 330-496-3211  
Fax: 330-496-3097  
Email: sealand@dometicusa.com

# PARTS LIST: ECOVAC 146 -147-148 -149

ITEM	PART NUMBER				DESCRIPTION
	146	147	148	149	
1		385344436			SEAT ASSEMBLY, WHITE
		385344437			SEAT ASSEMBLY, BONE
2		385310676			CHINA BOWL KIT, WHITE
		385310781			CHINA BOWL KIT, BONE
3		385310025			BAND AND HALF CLAMP, KIT WHITE
		385310048			BAND AND HALF CLAMP, KIT BONE
4		385311462			KIT, SEAL KIT-VACUFLUSH
		385310679			MOUNTING HARDWARE - WHITE
		385310785			MOUNTING HARDWARE - BONE
6	385311711	385310685	385310686	385310975	BASE KIT, WHITE (INC. 3-11 & 14)
	385311712	385310783	385310784	385310976	BASE KIT, BONE (INC. 3-11 & 14)
7		385311292			KIT, BASE RING INSERT
8		385310954			KIT, BALLBRASS SHAFTIP CART (INC. 11)
9		385310682			PEDAL KIT, WHITE (INC. 11)
		385310762			PEDAL KIT, BONE (INC. 11)
10		385314349			WATER VALVE, KIT
11		385310683			SPRING CARTRIDGE, KIT
12		385340177			HOSE, SUPPLY - BONE.
		385345377			HOSE, SUPPLY - WHITE
13		385310687			VACUUM BREAKER, KIT
14	385311713	385310680	385310680	385310936	DISCHARGE KIT
		385310696			VACUUM BREAKER COVER WHITE
15		385310782			VACUUM BREAKER COVER BONE



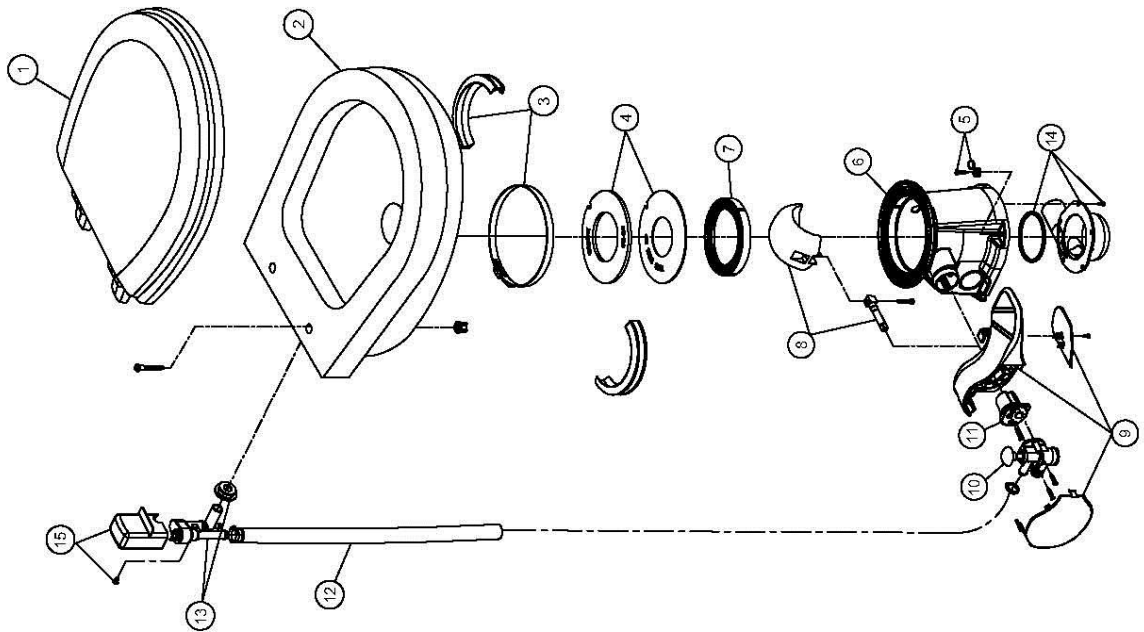
TOILET MODEL	DISCHARGE LOCATION
146	THROUGH THE FLOOR
147	OPPOSITE PEDAL
148	REAR OF TOILET
149	UNDER PEDAL

USED WITH MODELS 147, 148, 149

USED WITH MODEL 146 ONLY

Dometic Corporation - Sanitation Systems  
13128 State Rt. 226, P.O. Box 38  
Big Prairie, OH 44611-0038 USA  
Telephone: 330-496-3211  
Fax: 330-496-3097  
Email: sealand@dometicus.com

# PARTS LIST: ECOVAC 157-158-159



ITEM	PART NUMBER			DESCRIPTION
	157	158	159	
1	385344436	385344437	385344436	SEAT ASSEMBLY, WHITE
2	385310676	385310781	385310676	SEAT ASSEMBLY, BONE
3	385310025	385310048	385310025	CHINA BOWL KIT, WHITE
4	385316140	385310679	385316140	CHINA BOWL KIT, BONE
5	385310785	385311451	385310785	BAND AND HALF CLAMP, KIT WHITE
6	385311446	385311452	385311453	BAND AND HALF CLAMP, KIT BONE
7	385311447	385311292	385311454	SEAL REPLACEMENT, KIT
8	385310954	385311448	385310954	MOUNTING HARDWARE - WHITE
9	385311449	385311449	385311449	MOUNTING HARDWARE - BONE
10	385314349	385310683	385314349	BASE KIT, WHITE (INC. 3-11 & 14)
11	385340177	385340177	385340177	BASE KIT, BONE (INC. 3-11 & 14)
12	385310687	385310680	385310936	BASE RING
13	385310680	385310680	385310680	KIT, BALLBRASS SHAFT/TIP CART (INC. 11)
14	385310680	385310680	385310680	PEDAL KIT, WHITE (INC. 11)
15	385310680	385310680	385310680	PEDAL KIT, BONE (INC. 11)
				WATER VALVE, KIT
				SPRING CARTRIDGE, KIT
				HOSE, SUPPLY - BONE.
				HOSE, SUPPLY - WHITE
				VACUUM BREAKER, KIT
				DISCHARGE KIT
				VACUUM BREAKER COVER WHITE
				VACUUM BREAKER COVER BONE

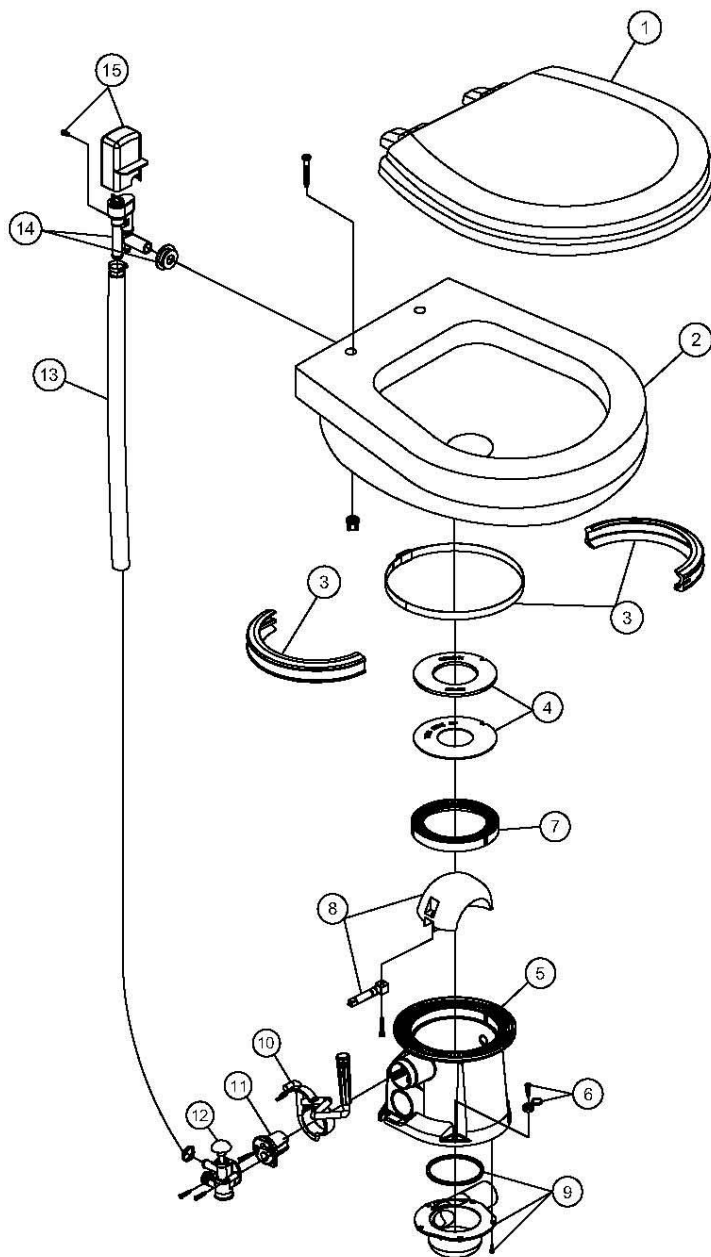
TOILET MODEL	DISCHARGE LOCATION
157	OPPOSITE PEDAL
158	REAR OF TOILET
159	UNDER PEDAL

Dometic Corporation - Sanitation Systems  
13128 State Rt. 226, P. O. Box 38  
Big Prairie, OH 44611-0038 USA  
Telephone: 330-496-3211  
Fax: 330-496-3097  
Email: sealand@dometicus.com



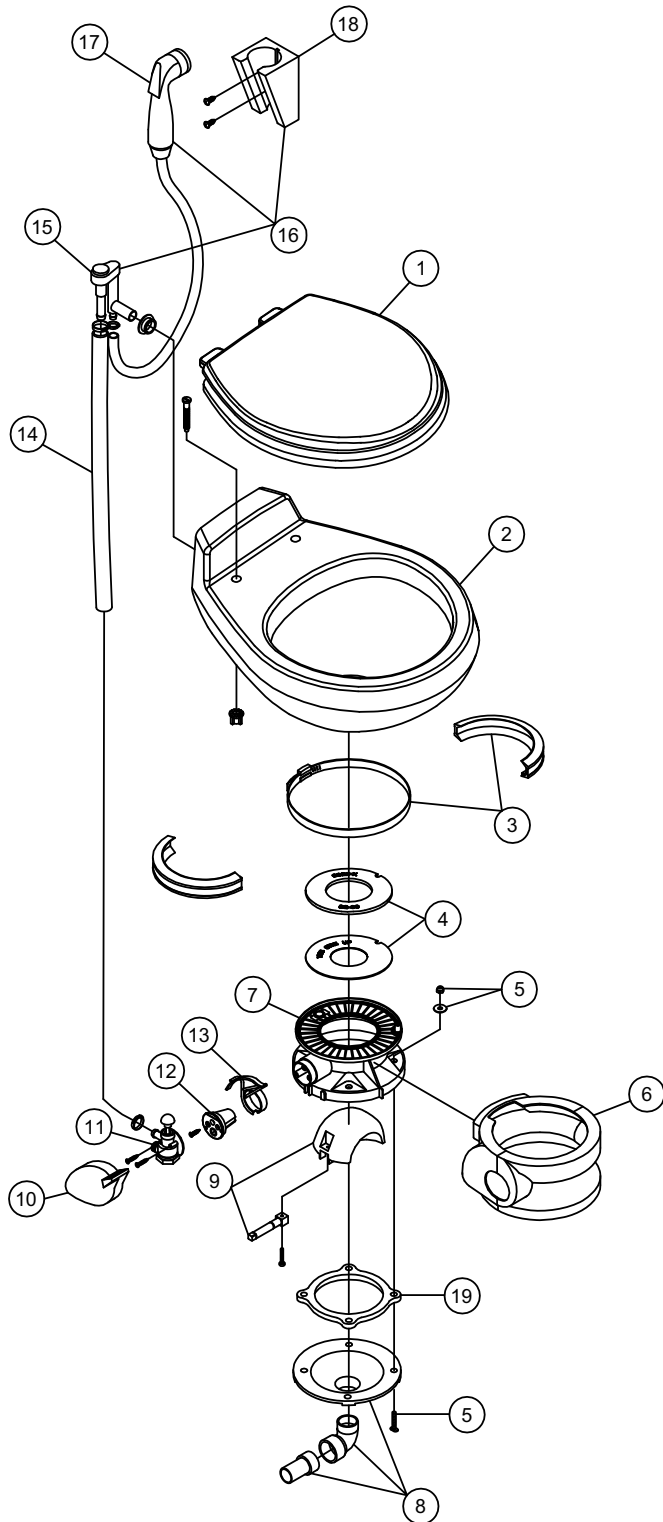
## PARTS LIST: VACUFLUSH 168

ITEM	PART NO.	DESCRIPTION	ITEM	PART NO.	DESCRIPTION
1	385344436	SEAT & LID ASSEMBLY, WHITE	9	385310680	KIT, DISCHARGE
2	385310676	CHINA BOWL, WHITE	10	385311204	HAND FLUSH KIT- (inc.item 11)
3	385310025	HALF CLAMP KIT, WHITE	11	385236096	SPRING CARTRIDGE KIT
4	385311462	RUBBER SEAL KIT	12	385314349	WATER VALVE KIT
5	385311158	BASE KIT, WHITE (inc. items 3 -12)	13	385345377	SUPPLY HOSE, WHITE
6	385310679	MOUNTING KIT	14	385310687	VACUUM BREAKER KIT
7	385311292	RING, BASE INSERT	15	385310696	VACUUM BREAKER COVER
8	385318162	BALL/SHAFT/CARTRIDGE KIT (inc. item 11)			



Dometic Corporation - Sanitation Systems  
13128 State Rt. 226, P.O. Box 38  
Big Prairie, OH 44611-0038 USA  
Telephone: 330-496-3211  
Fax: 330-496-3097  
Email: sealand@dometicus.com

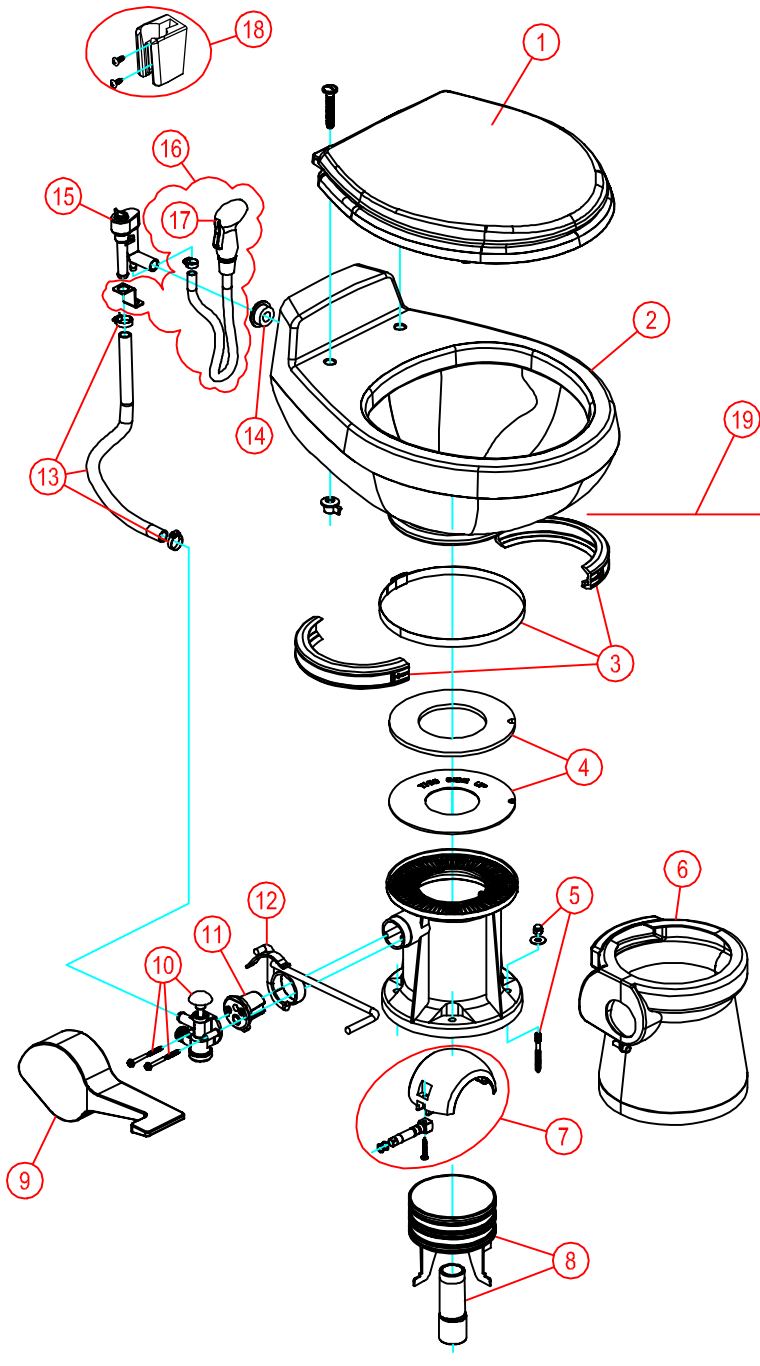
# PARTS LIST: 506+



ITEM	PART NO.	DESCRIPTION
1	385343829	KIT, SEAT-CV'R 500+ - WHITE
	385343831	KIT, SEAT-CV'R 500+ - BONE
	385343897	KIT, SEAT-CV'R 500+ - PLAT
	385343901	KIT, SEAT-CV'R 500+ - EBONY
2	385310739	CHINA BOWL KIT, WHITE
	385310740	CHINA BOWL KIT, BONE
	385310741	CHINA BOWL KIT, PLATINUM
	385310742	CHINA BOWL KIT, EBONY
3	385310048	BAND AND HALF CLAMP, KIT
4	385311462	SEAL REPLACEMENT , KIT
5	385310064	MOUNTING HARDWARE
6	385310108	PEDESTAL COVER KIT , WHITE
	385310109	PEDESTAL COVER KIT , BONE
	385310110	PEDESTAL COVER KIT , PLATINUM
	385310600	PEDESTAL COVER KIT , EBONY
7	385310132	BASE KIT, WHITE (inc items 3-13 & 19)
	385310133	BASE KIT, BONE (inc items 3-13 & 19)
	385310134	BASE KIT, PLATINUM (inc items 3-13 & 19)
	385310607	BASE KIT, EBONY (inc items 3-13 & 19)
8	385318864	FUNNEL, KIT (inc. item 5 & 19)
9	385318162	KIT,BALL,SHAFT & CART, WHITE(inc. item 12)
	385310177	KIT,BALL,SHAFT & CART, EBONY(inc. item 12)
10	385310117	PEDAL COVER, WHITE
	385310118	PEDAL COVER, BONE
	385310119	PEDAL COVER, PLATINUM
	385310593	PEDAL COVER, EBONY
11	385314349	WATER VALVE, KIT
12	385236096	SPRING CARTRIDGE, KIT
13	385310579	PEDAL, CARTRIDGE, KIT (inc. item 12)
14	385340177	HOSE, SUPPLY - BONE, EBONY, PLAT
	385345377	HOSE, SUPPLY - WHITE
15	385316906	VACUUM BREAKER, KIT - WITHOUT SPRAY
	385230335	VACUUM BREAKER, KIT - WITH SPRAY
16	385319056	VACUUM BREAKER,SPR & BRK,KIT CHROME
	385319057	VACUUM BREAKER,SPR & BRK,KIT EBONY
17	385310873	HAND SPRAY, EBONY
	385310809	HAND SPRAY, CHROME
18	385311125	BRACKET, HAND SPRAY EBONY
	385311131	BRACKET, HAND SPRAY CHROME
19	385310063	FLOOR FLANGE, KIT (inc. item 5)

Dometic Corporation - Sanitation Systems  
13128 State Rt. 226, P.O. Box 38  
Big Prairie, OH 44611-0038 USA  
Telephone: 330-496-3211  
Fax: 330-496-3097  
Email: sealand@domecusa.com

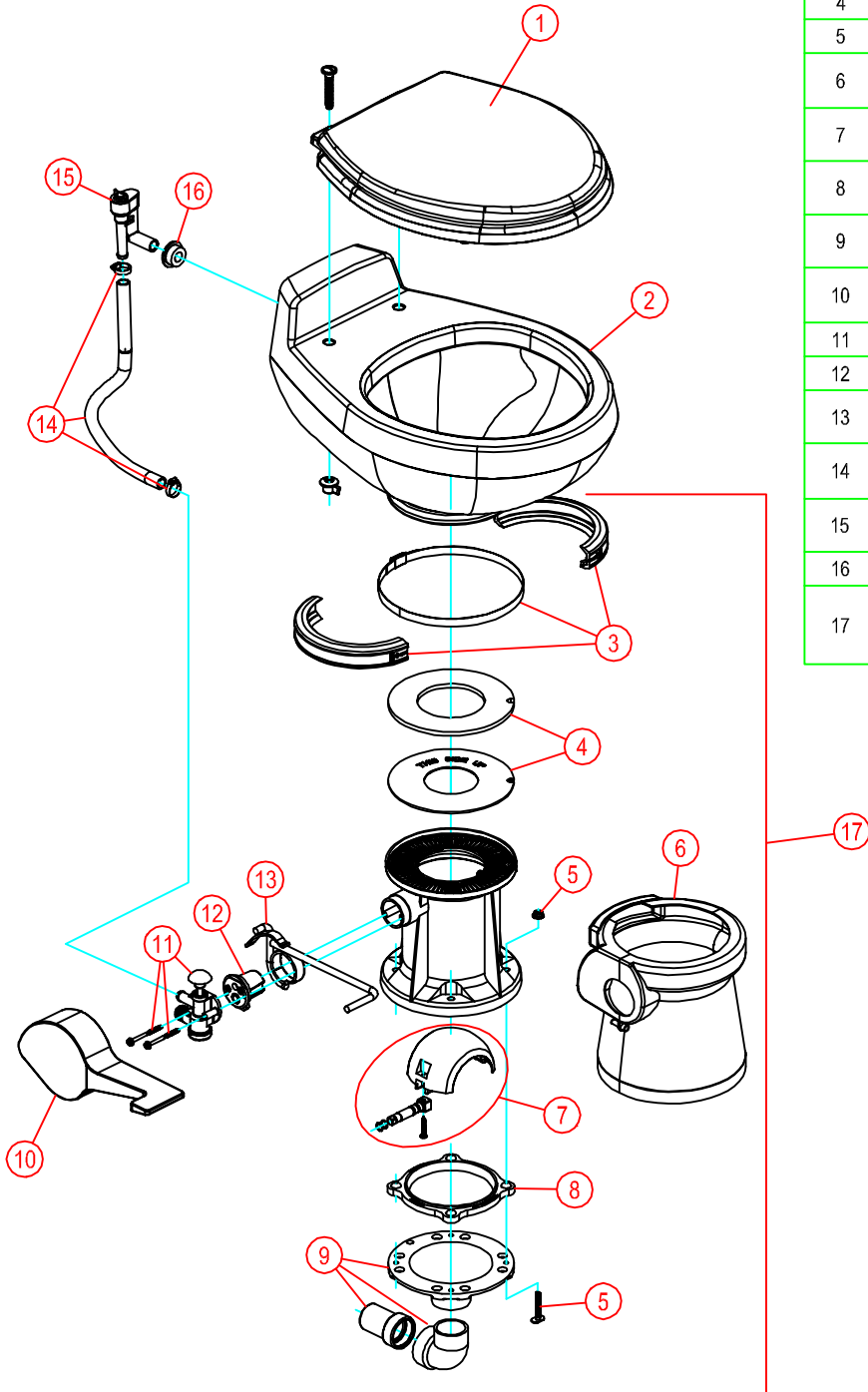
# PARTS LIST: VACUFLUSH 508+ SERIES



ITEM	PART NUMBER & DESCRIPTION
1	385343829 SEAT/COVER - WHITE
	385343831 SEAT/COVER - BONE
	385343897 SEAT/COVER - PLATINUM
	385343901 SEAT/COVER - EBONY
2	385310739 CHINA BOWL KIT - WHITE
	385310740 CHINA BOWL KIT - BONE
	385310741 CHINA BOWL KIT - PLATINUM
	385310742 CHINA BOWL KIT - EBONY
3	385310048 BOWL/BASE CLAMP KIT
4	385311462 FLUSH BALL SEAL REPL KIT
5	385316323 MOUNTING HARDWARE
6	385310111 PEDESTAL COVER - WHITE
	385310112 PEDESTAL COVER - BONE
	385310113 PEDESTAL COVER - PLATINUM
	385310173 PEDESTAL COVER - EBONY
7	385318162 FLUSH BALL, SHAFT, CARTRIDGE KIT-WHITE
	385310177 FLUSH BALL, SHAFT, CARTRIDGE KIT-EBONY **INCLUDES ITEM 11.
8	385318741 '08 DISCHARGE FUNNEL KIT
9	385310114 PEDAL COVER - WHITE
	385310115 PEDAL COVER - BONE
	385310116 PEDAL COVER - PLATINUM
	385310175 PEDAL COVER - EBONY
10	385314349 WATER VALVE KIT
11	385236096 SPRING CARTRIDGE KIT
12	385310578 PEDAL/LEVER & CARTRIDGE KIT
	**INCLUDES ITEM 11.
13	385345377 BOWL WATER SUPPLY HOSE - WHITE
	385340177 BOWL WATER SUPPLY HOSE - BONE
14	385311164 1/2" SEALING GROMMET
15	385316906 VACUUM BREAKER KIT
	385230335 VACUUM BREAKER KIT w/HAND SPRAY **INCLUDES ITEM 14.
16*	385319056 HAND SPRAY KIT w/VAC BREAKER-WHT
	385319057 HAND SPRAY KIT w/VAC BREAKER-EBY **INCLUDES ITEM 14, 15, 17
17*	385310809 HAND SPRAYER - CHROME
	385310873 HAND SPRAYER - EBONY **INCLUDES ITEM 18.
18*	385311131 HAND SPRAY BRACKET w/SCREWS - CHROME
	385311125 HAND SPRAY BRACKET w/SCREWS - EBONY
19	385310126 '08 BASE KIT METAL LEVER - WHITE
	385310127 '08 BASE KIT METAL LEVER - BONE
	385310128 '08 BASE KIT METAL LEVER - PLATINUM
	385310171 '08 BASE KIT METAL LEVER - EBONY **INCLUDES ITEMS 3-12

\* ITEMS 16, 17, & 18 ARE OPTIONAL ACCESSORIES;  
NOT PROVIDED WITH EVERY MODEL.

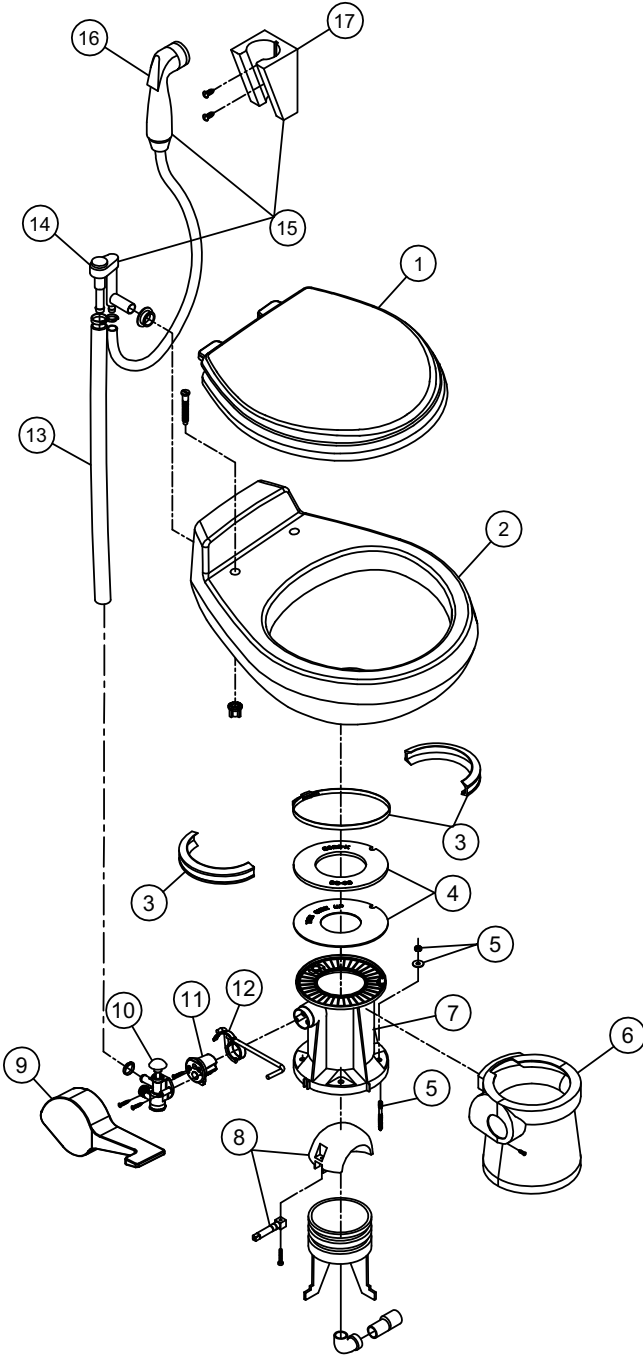
# PARTS LIST: VACUFLUSH 509+ SERIES



ITEM	PART NUMBER & DESCRIPTION
1	385343829 SEAT/COVER - WHITE
	385343831 SEAT/COVER - BONE
2	385310739 CHINA BOWL KIT - WHITE
	385310740 CHINA BOWL KIT - BONE
3	385310048 BOWL/BASE CLAMP KIT
4	385311462 FLUSH BALL SEAL REP'L KIT
5	385310064 MOUNTING HARDWARE
6	385310111 PEDESTAL COVER - WHITE
	385310112 PEDESTAL COVER - BONE
7	385318162 FLUSH BALL, SHAFT, CARTRIDGE KIT **INCLUDES ITEM 12
8	385310063 FLOOR FLANGE SEAL **INCLUDES ITEM 5
9	385318864 FUNNEL KIT ('06/'09 MODELS) **INCLUDES ITEM 5 & 8
10	385310114 PEDAL COVER - WHITE
	385310115 PEDAL COVER - BONE
11	385314349 WATER VALVE KIT
12	385236096 SPRING CARTRIDGE KIT
13	385310578 PEDAL/LEVER & CARTRIDGE KIT **INCLUDES ITEM 12
14	385345377 BOWL WATER SUPPLY HOSE - WHITE
	385340177 BOWL WATER SUPPLY HOSE - BONE
15	385316906 VACUUM BREAKER KIT **INCLUDES ITEM 16
16	385311164 1/2" SEALING GROMMET
17	385311772 '09 BASE KIT METAL LEVER - WHITE
	385311892 '09 BASE KIT METAL LEVER - BONE **INCLUDES ITEMS 3-13

Dometic Corporation - Sanitation Systems  
13128 State Rt. 226, P.O. Box 38  
Big Prairie, OH 44611-0038 USA  
Telephone: 330-496-3211  
Fax: 330-496-3097  
Email: sealand@dometicus.com

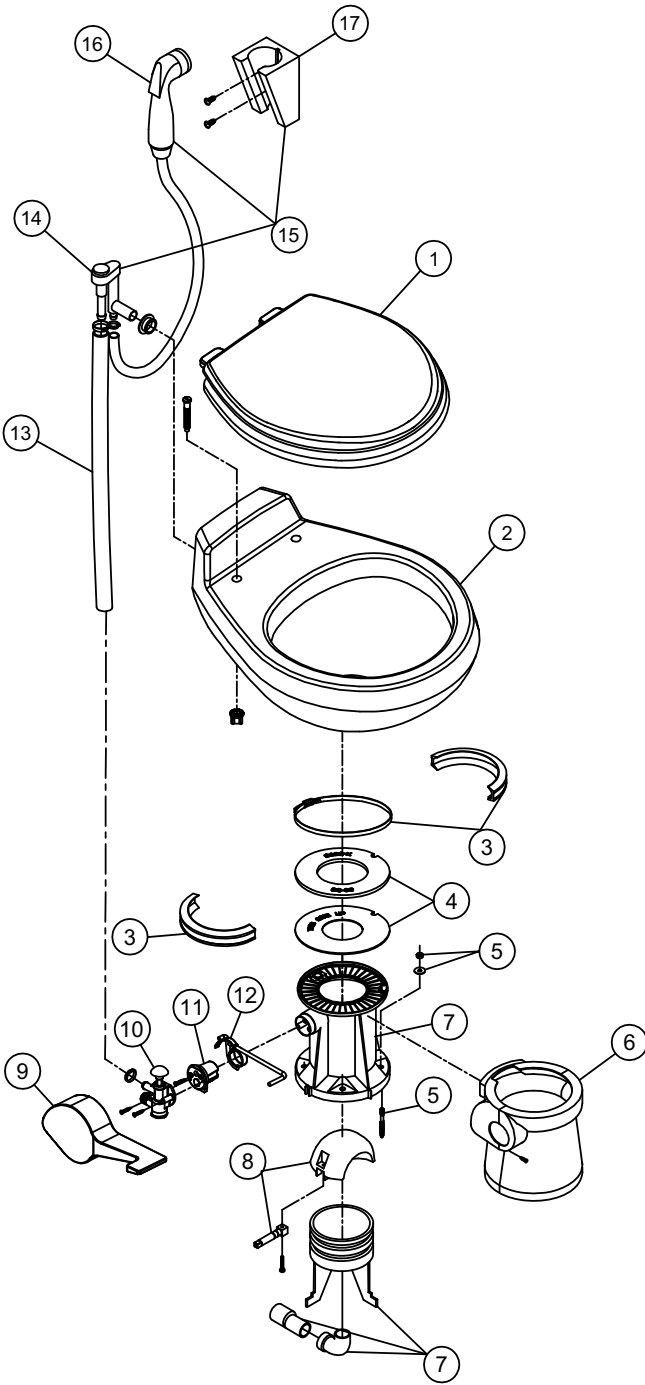
PARTS LIST: 547+



ITEM	PART NO.	DESCRIPTION
1	385343829	KIT, SEAT-CV'R 500+ - WHITE
	385343831	KIT, SEAT-CV'R 500+ - BONE
	385343897	KIT, SEAT-CV'R 500+ - PLAT
	385343901	KIT, SEAT-CV'R 500+ - EBONY
2	385310739	CHINA BOWL KIT, WHITE
	385310740	CHINA BOWL KIT, BONE
	385310741	CHINA BOWL KIT, PLATINUM
	385310742	CHINA BOWL KIT, EBONY
3	385310048	BAND AND HALF CLAMP, KIT
4	385311462	SEAL REPLACEMENT , KIT
5	385316323	MOUNTING HARDWARE
6	385310674	PEDESTAL COVER KIT , WHITE
	385310613	PEDESTAL COVER KIT , BONE
	385310745	PEDESTAL COVER KIT , PLATINUM
	385310746	PEDESTAL COVER KIT , EBONY
7	385310665	BASE KIT, WHITE (inc items 3-12)
	385310614	BASE KIT, BONE (inc items 3-12)
	385310748	BASE KIT, PLATINUM (inc items 3-12)
	385310749	BASE KIT, EBONY (inc items 3-12)
8	385318162	KIT,BALL,SHAFT & CART, WHITE(inc. item 11)
	385310177	KIT,BALL,SHAFT & CART, EBONY(inc. item 11)
9	385310114	PEDAL COVER, WHITE
	385310115	PEDAL COVER, BONE
	385310116	PEDAL COVER, PLATINUM
	385310175	PEDAL COVER, EBONY
10	385314349	WATER VALVE, KIT
11	385236096	SPRING CARTRIDGE, KIT
12	385310578	PEDAL, CARTRIDGE, KIT (inc. item 11)
13	385340177	HOSE, SUPPLY - BONE, EBONY, PLAT
	385345377	HOSE, SUPPLY - WHITE
14	385316906	VACUUM BREAKER, KIT - WITHOUT SPRAY
	385230335	VACUUM BREAKER, KIT - WITH SPRAY
15	385319056	VACUUM BREAKER,SPRAY & BRACKET,CHRM
	385319057	VACUUM BREAKER,SPRAY & BRACKET,EBY
16	600340683	HAND SPRAY, WHITE
	600341770	HAND SPRAY, EBONY
17	385311131	BRACKET, HAND SPRAY-CHROME
	385311125	BRACKET, HAND SPRAY EBONY

Dometic Corporation - Sanitation Systems  
 13128 State Rt. 226, P.O. Box 38  
 Big Prairie, OH 44611-0038 USA  
 Telephone: 330-496-3211  
 Fax: 330-496-3097  
 Email: sealand@dometicusa.com

**PARTS LIST: 548+**

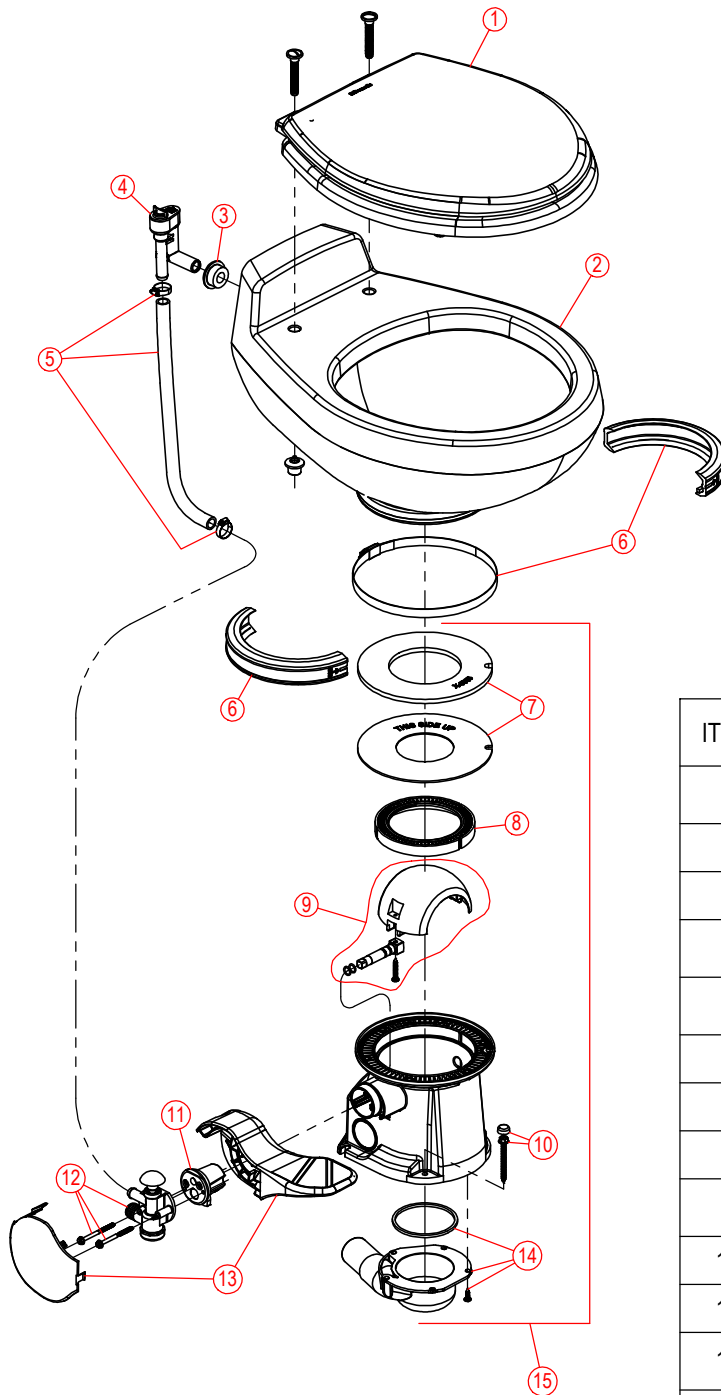


ITEM	PART NO.	DESCRIPTION
1	385343829	KIT, SEAT-CV'R 500+ - WHITE
	385343831	KIT, SEAT-CV'R 500+ - BONE
	385343897	KIT, SEAT-CV'R 500+ - PLAT
	385343901	KIT, SEAT-CV'R 500+ - EBONY
2	385310739	CHINA BOWL KIT, WHITE
	385310740	CHINA BOWL KIT, BONE
	385310741	CHINA BOWL KIT, PLATINUM
	385310742	CHINA BOWL KIT, EBONY
3	385310048	BAND AND HALF CLAMP, KIT
4	385311462	SEAL REPLACEMENT , KIT
5	385316323	MOUNTING HARDWARE
6	385310136	PEDESTAL COVER KIT , WHITE
	385310137	PEDESTAL COVER KIT , BONE
	385310138	PEDESTAL COVER KIT , PLATINUM
	385310174	PEDESTAL COVER KIT , EBONY
7	385310129	BASE KIT, WHITE (inc items 3-12)
	385310130	BASE KIT, BONE (inc items 3-12)
	385310131	BASE KIT, PLATINUM (inc items 3-12)
	385310172	BASE KIT, EBONY (inc items 3-12)
8	385318162	KIT,BALL,SHAFT & CART, WHITE(inc. item 11)
	385310177	KIT,BALL,SHAFT & CART, EBONY(inc. item 11)
9	385310114	PEDAL COVER, WHITE
	385310115	PEDAL COVER, BONE
	385310116	PEDAL COVER, PLATINUM
	385310175	PEDAL COVER, EBONY
10	385314349	WATER VALVE, KIT
11	385236096	SPRING CARTRIDGE, KIT
12	385310578	PEDAL, CARTRIDGE, KIT (inc. item 11)
13	385340177	HOSE, SUPPLY - BONE, EBONY, PLAT
	385345377	HOSE, SUPPLY - WHITE
14	385316906	VACUUM BREAKER, KIT - WITHOUT SPRAY
	385230335	VACUUM BREAKER, KIT - WITH SPRAY
15	385319056	VACUUM BREAKER, SPRAY & BRACKET, CHR
	385319057	VACUUM BREAKER, SPRAY & BRACKET, EBY
16	385310809	HAND SPRAY, CHROME
	385310873	HAND SPRAY, EBONY
17	385311131	BRACKET, HAND SPRAY-CHROME
	385311125	BRACKET, HAND SPRAY EBONY

Dometic Corporation - Sanitation Systems  
 13128 State Rt. 226, P.O. Box 38  
 Big Prairie, OH 44611-0038 USA  
 Telephone: 330-496-3211  
 Fax: 330-496-3097  
 Email: sealand@dometicusa.com

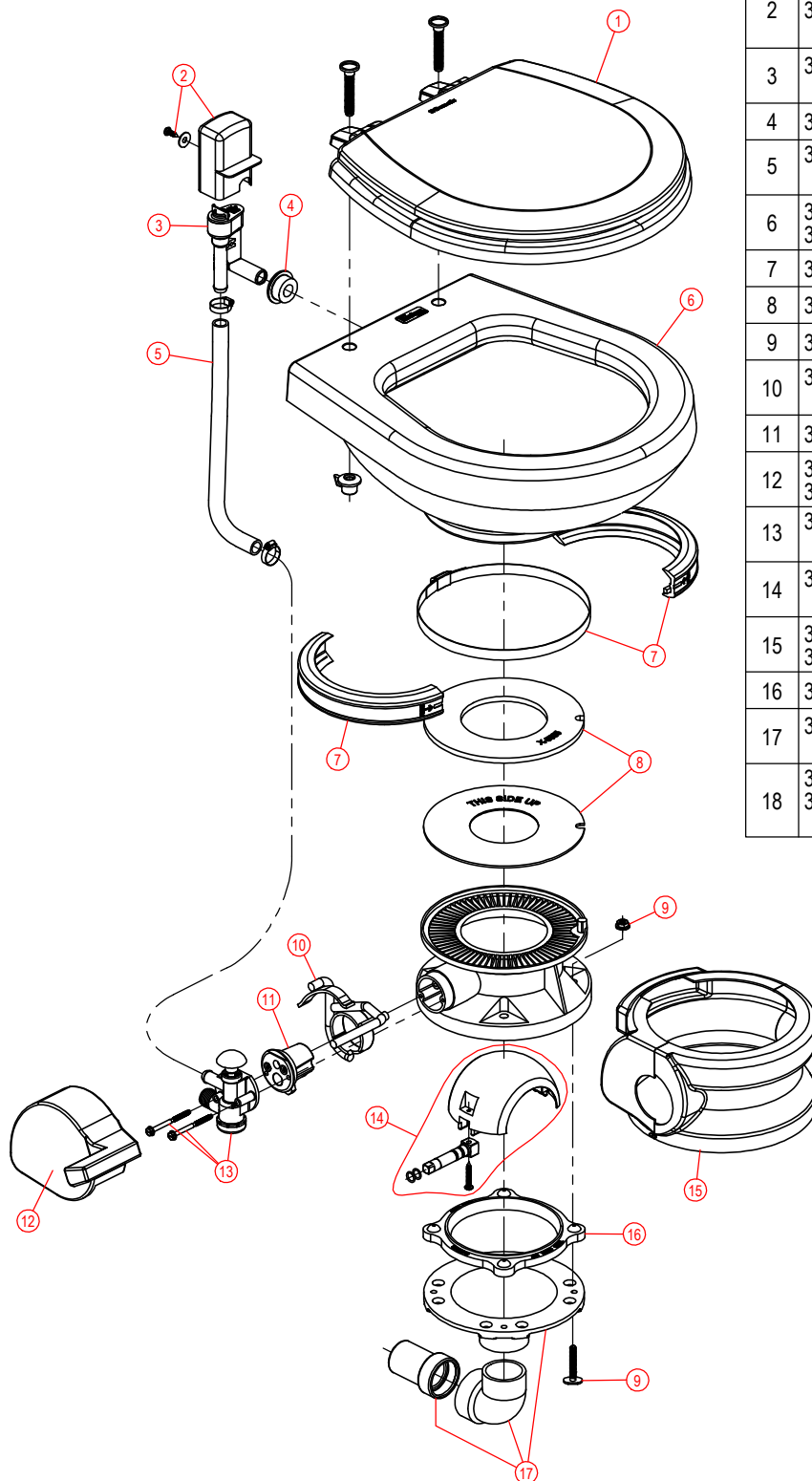


## PARTS LIST: 568 SERIES



ITEM	PART NUMBER & DESCRIPTION
1	385311831 - SEAT/COVER - BONE **Includes Mounting Hardware.
2	385310740 - CHINA BOWL KIT - BONE
3	385311164 - 1/2" SEALING GROMMET
4	385310687 - VACUUM BREAKER REPLACEMENT **Includes Item 3.
5	385345377 - BOWL WATER SUPPLY HOSE **Includes Hose Clamps.
6	385310048 - BOWL/BASE CLAMP KIT - BONE
7	385311462 - FLUSH BALL SEAL REPLACEMENT KIT
8	385311292 - BASE FLUSH BALL RING KIT
9	385310954 - FLUSH BALL / SHAFT (BRASS) KIT **Includes Item 11.
10	385310785 - MOUNTING HARDWARE - BONE
11	385310683 - SPRING CARTRIDGE KIT
12	385314349 - WATER VALVE KIT **Includes Mounting Screws.
13	385310786 - FLUSH PEDAL KIT - BONE **Includes Item 11.
14	385310680 - DISCHARGE KIT - '47/'48 SERIES **Includes Seal & Mounting Screws.
15	385310784 - 148 SERIES BASE KIT - BONE **Includes Items 7 - 14.

## PARTS LIST: 706 LOW-PROFILE VACUFLUSH TOILET

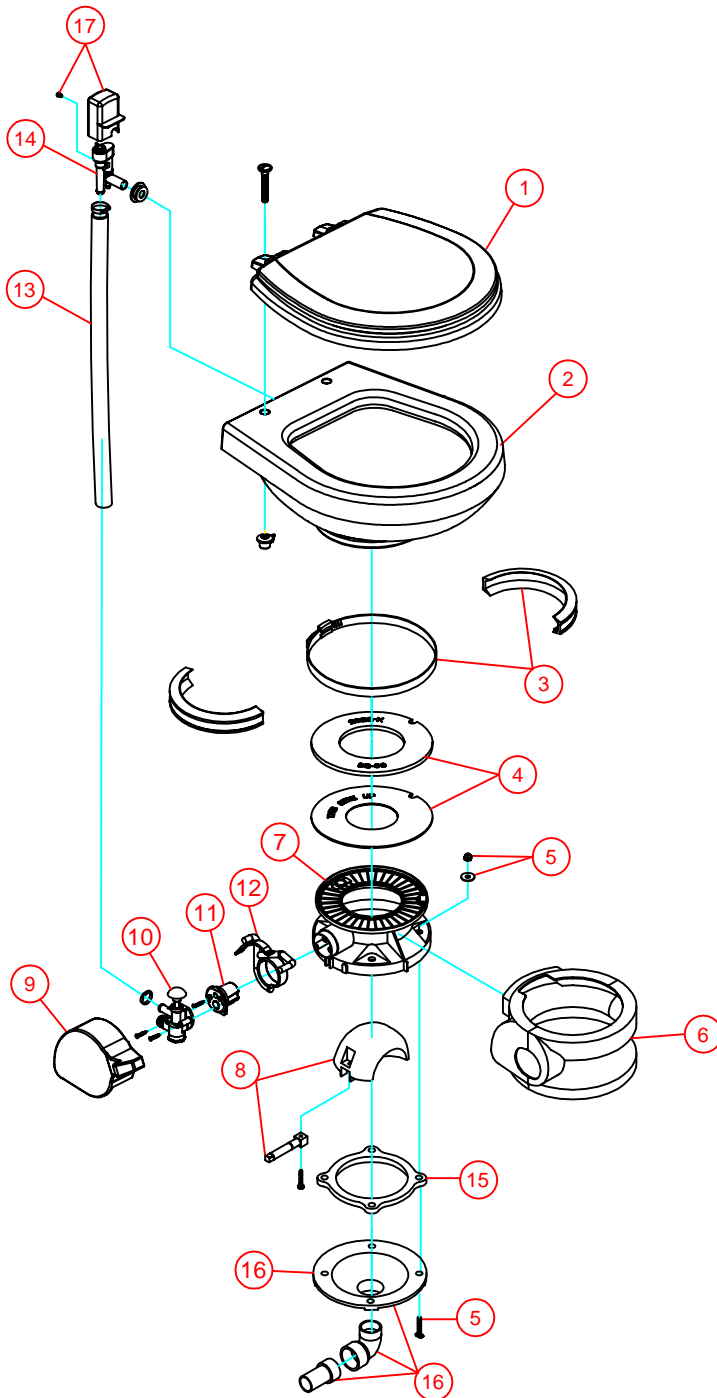


ITEM	PART NUMBER & DESCRIPTION
1	385344436 - SEAT/COVER - WHITE
	385344437 - SEAT/COVER - BONE **Includes Mounting Hardware.
2	385310696 - VACUUM BREAKER COVER - WHITE
	385310782 - VACUUM BREAKER COVER - BONE **Includes Mounting Hardware.
3	385316906 - VACUUM BREAKER KIT **Includes Item #4.
4	385311164 - 1/2" SEALING GROMMET
5	385345377 - BOWL WATER SUPPLY HOSE **Includes Hose Clamps.
6	385310676 - BOWL KIT - WHITE
	385310781 - BOWL KIT - BONE
7	385310048 - BOWL/BASE CLAMP KIT - BONE
8	385311462 - FLUSH BALL SEAL REPLACEMENT KIT
9	385310064 - BASE MOUNTING HARDWARE
10	385310579 - FLUSH LEVER & SPRING CARTRIDGE KIT **Includes Item 11.
11	385236096 - SPRING CARTRIDGE KIT
12	385310117 - PEDAL COVER - WHITE
	385310118 - PEDAL COVER - BONE
13	385314349 - WATER VALVE KIT **Includes Mounting Screws.
14	385318162 - FLUSH BALL, SHAFT, & CARTRIDGE KIT-WHT ** Includes Item 11.
15	385310108 - PEDESTAL COVER KIT - WHITE
	385310109 - PEDESTAL COVER KIT - BONE
16	385310063 - FLOOR / BASE SEAL
17	385318864 - VACUFLUSH FUNNEL KIT **Includes Items 9 & 16.
18	385310132 - BASE KIT - WHITE
	385310133 - BASE KIT - BONE **Includes Items 7 - 176C .

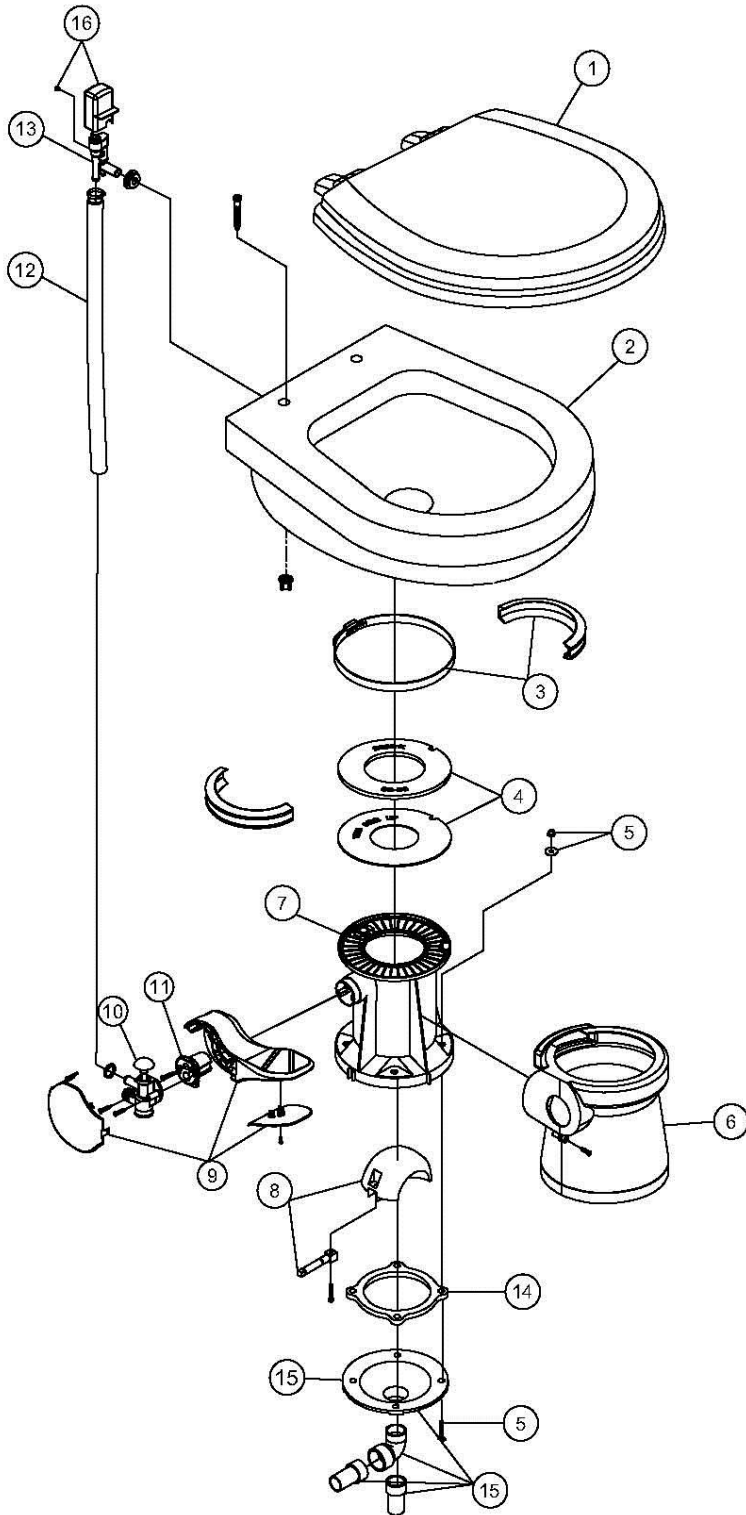
Dometic Corporation - Sanitation Systems  
13128 State Rt. 226, P.O. Box 38  
Big Prairie, OH 44611-0038 USA  
Telephone: 330-439-5550  
Fax: 330-496-3097  
Email: sealand@dometicusa.com

# PARTS LIST: 706 SHORT PAD

ITEM	PART NO.	DESCRIPTION
1	385344436	SEAT ASSEMBLY, WHITE
2	385310676	CHINA BOWL KIT, WHITE
3	385310048	BAND AND HALF CLAMP, KIT
4	385311462	SEAL REPLACEMENT , KIT
5	385310064	MOUNTING HARDWARE
6	385310108	PEDESTAL COVER KIT , WHITE
7	385310132	BASE KIT, WHITE (INC 3 -12 & 15,16)
8	385318162	KIT,BALL,SHAFT & CART, WHITE(INC 11)
9	385311551	KIT, SHORT PAD/PEDAL COVER-WHT
10	385314349	WATER VALVE, KIT
11	385236096	SPRING CARTRIDGE, KIT
12	385311553	KIT, SHORT PAD LEVER/CART (INC.11)
13	385345377	HOSE, SUPPLY - WHITE
14	385316906	VACUUM BREAKER, KIT
15	385310063	FLOOR FLANGE SEAL (INC 5)
16	385318864	FUNNEL KIT (INC 5 & 15)
17	385310696	VACUUM BREAKER COVER - WHITE



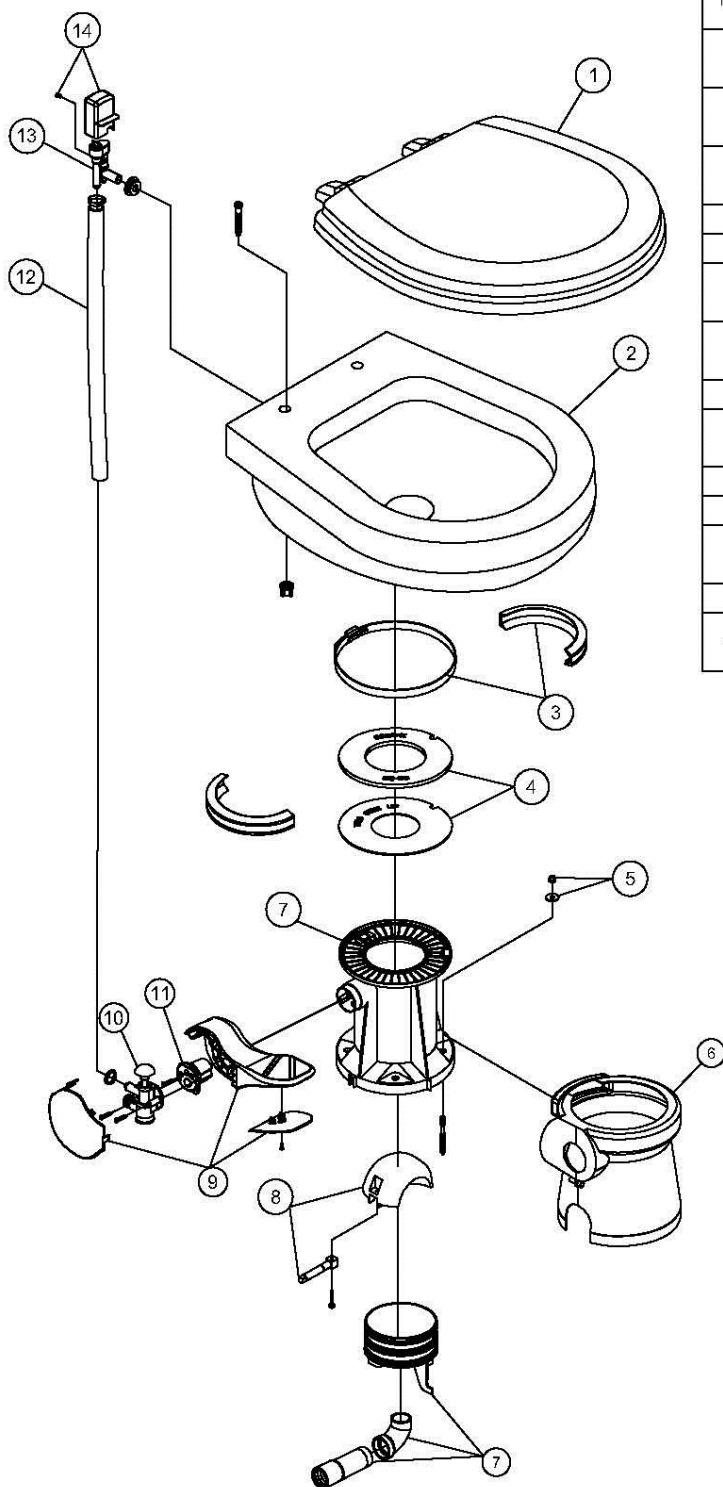
# PARTS LIST: VACUFLUSH 709



ITEM	PART NO.	DESCRIPTION
1	385344436	SEAT ASSEMBLY, WHITE
	385344437	SEAT ASSEMBLY, BONE
2	385310676	CHINA BOWL KIT, WHITE
	385310781	CHINA BOWL KIT, BONE
3	385310025	BAND AND HALF CLAMP, KIT WHITE
	385310048	BAND AND HALF CLAMP, KIT BONE
4	385311462	SEAL REPLACEMENT, KIT
5	385310064	MOUNTING HARDWARE
6	385310111	PEDESTAL COVER KIT, WHITE
	385310112	PEDESTAL COVER KIT, BONE
7	385311081	BASE KIT, WHITE (INC. 3-11 & 14,15)
	385310978	BASE KIT, BONE (INC. 3-11 & 14,15)
8	385310954	KIT, BALL/BRASS SHAFT/P CART(INC. 11)
9	385310682	PEDAL, CARTRIDGE, KIT WHITE (INC. 11)
	385310762	PEDAL, CARTRIDGE, KIT BONE (INC. 11)
10	385314349	WATER VALVE, KIT
11	385310683	SPRING CARTRIDGE, KIT
12	385345377	HOSE, SUPPLY - WHITE
	385340177	HOSE, SUPPLY - BONE
13	385316906	VACUUM BREAKER, KIT
14	385310063	FLOOR FLANGE SEAL (INC. 5)
15	385318864	FUNNEL KIT (INC. 5, 14 & 15)
16	385310696	VACUUM BREAKER COVER - WHITE
	385310782	VACUUM BREAKER COVER - BONE

Dometic Corporation - Sanitation Systems  
13128 State Rt. 226, P.O. Box 38  
Big Prairie, OH 44611-0038 USA  
Telephone: 330-496-3211  
Fax: 330-496-3097  
Email: sealand@dometicusa.com

## PARTS LIST: VACUFLUSH 748 - 749

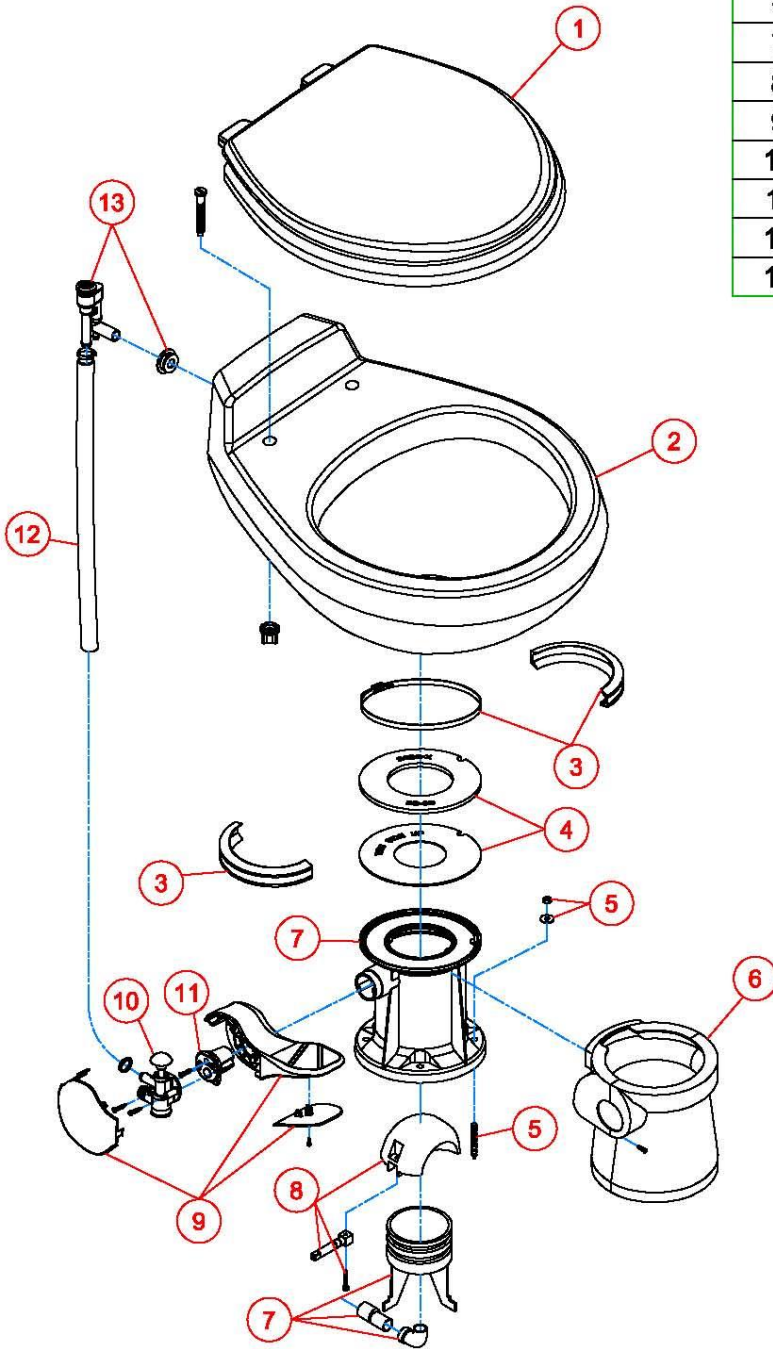


ITEM	PART NO.		DESCRIPTION
	748	749	
1	385344436		SEAT ASSEMBLY, WHITE
	385344437		SEAT ASSEMBLY, BONE
2	385310676		CHINA BOWL KIT, WHITE
	385310781		CHINA BOWL KIT, BONE
3	385310025		BAND AND HALF CLAMP, KIT WHITE
	385310048		BAND AND HALF CLAMP, KIT BONE
4	385311462		SEAL REPLACEMENT , KIT
5	385316323		MOUNTING HARDWARE
6	385310136	385310904	PEDESTAL COVER KIT , WHITE
	385310137	N/A	PEDESTAL COVER KIT , BONE
7	385310910	385310903	BASE KIT, WHITE (inc items 3-11 & 14,15)
	385311086	N/A	BASE KIT, BONE (inc items 3-11 & 14,15)
8	385310954		KIT, BALL/BRASS SHAFT/P CART (inc. item 11)
9	385310682		PEDAL, CARTRIDGE, KIT WHITE (inc. item 11)
	385310762		PEDAL, CARTRIDGE, KIT BONE (inc. item 11)
10	385314349		WATER VALVE, KIT
11	385310683		SPRING CARTRIDGE, KIT
12	385345377		HOSE, SUPPLY - WHITE
	385340177		HOSE, SUPPLY - BONE
13	385316906		VACUUM BREAKER, KIT
14	385310696		VACUUM BREAKER COVER - WHITE
	385310782		VACUUM BREAKER COVER - BONE

Dometic Corporation - Sanitation Systems  
13128 State Rt. 226, P.O. Box 38  
Big Prairie, OH 44611-0038 USA  
Telephone: 330-496-3211  
Fax: 330-496-3097  
Email: sealand@dometicus.com

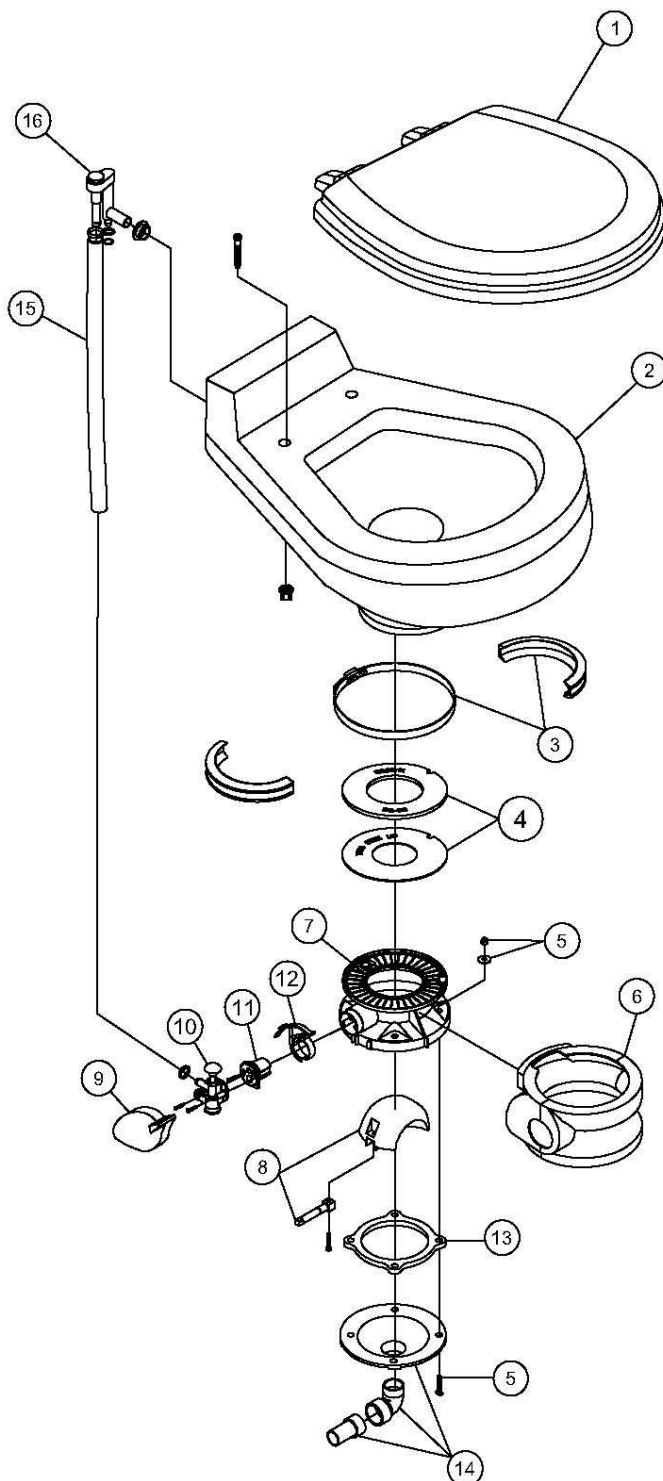
# PARTS LIST: VACUFLUSH 1548

ITEM	PART NO.	DESCRIPTION
1	385343829	KIT, SEAT-CV'R 500+ - WHITE
2	385310739	CHINA BOWL KIT, WHITE
3	385310025	BAND AND HALF CLAMP, KIT
4	385311462	SEAL REPLACEMENT , KIT
5	385316323	MOUNTING HARDWARE
6	385310136	PEDESTAL COVER KIT , WHITE
7	385310910	BASE KIT, BONE
8	385310954	KIT, BALL/BRASS SHAFT/P CART(inc. item 11)
9	385310682	PEDAL, CARTRIDGE, KIT (inc. item 11)
10	385314349	WATER VALVE, KIT
11	385310683	SPRING CARTRIDGE, KIT
12	385345377	HOSE, SUPPLY - WHITE
13	385316906	VACUUM BREAKER, KIT - WITHOUT SPRAY





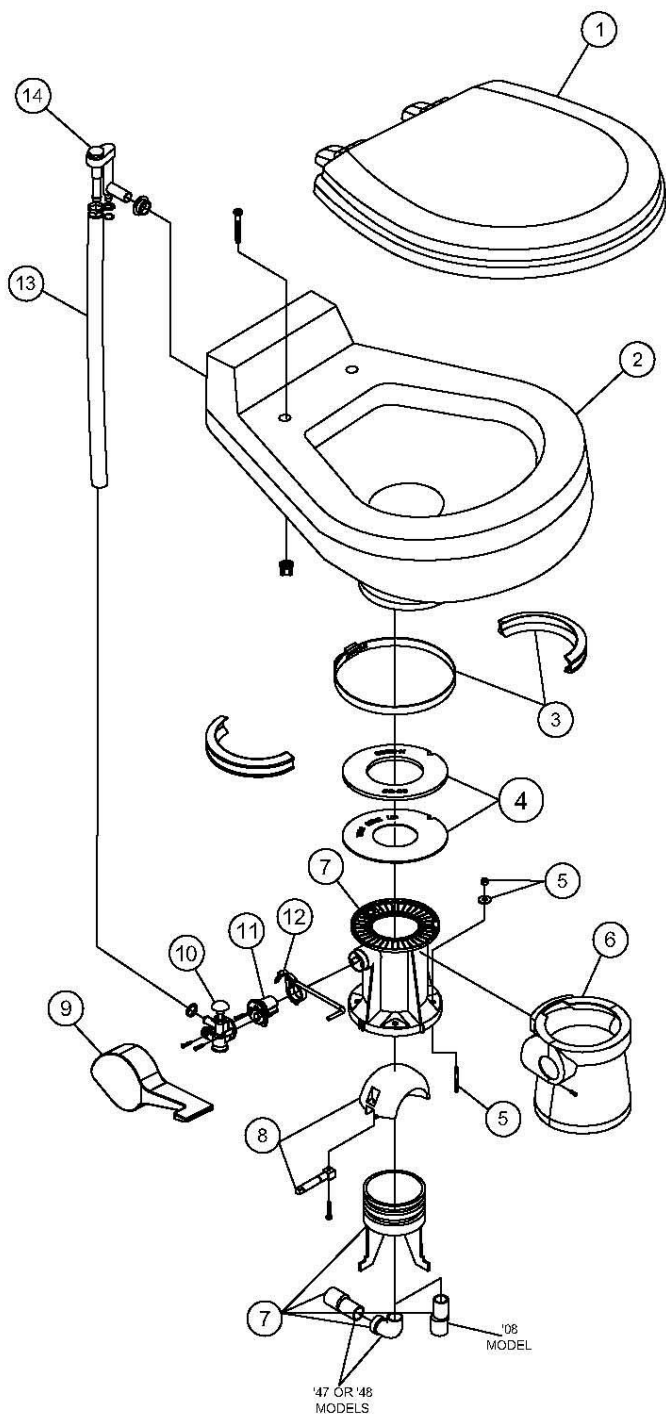
# PARTS LIST: 806



ITEM	PART NO.	DESCRIPTION
1	385344436	SEAT ASSEMBLY, WHITE
	385344437	SEAT ASSEMBLY, BONE
2	385310032	CHINA BOWL KIT, WHITE
	385310033	CHINA BOWL KIT, BONE
3	385310048	BAND & HALF CLAMP KIT - BONE
	385310025	BAND & HALF CLAMP KIT - WHITE
4	385311462	KIT, BASE SEAL/2 SEALS
5	385310064	MOUNTING HARDWARE
6	385310108	PEDESTAL COVER KIT - WHITE
	385310109	PEDESTAL COVER KIT - BONE
7	385310132	BASE KIT- WHITE (inc items 3-14)
	385310133	BASE KIT- BONE (inc items 3-14)
8	385318162	KIT,BALL,SHAFT & CART-(inc. item 11)
9	385310117	PEDAL COVER - WHITE
	385310118	PEDAL COVER - BONE
10	385314349	WATER VALVE - KIT
11	385236096	SPRING CARTRIDGE - KIT
12	385310579	PEDAL, CARTRIDGE, KIT (inc. item 11)
13	385310063	FLOOR FLANGE, (inc item 5)
14	385318864	KIT, FUNNEL 506/806/706 (inc. item 5)
15	385340177	HOSE, SUPPLY - BONE
	385345377	HOSE, SUPPLY - WHITE
16	385316906	VACUUM BREAKER, KIT

Dometic Corporation - Sanitation Systems  
 13128 State Rt. 226, P.O. Box 38  
 Big Prairie, OH 44611-0038 USA  
 Telephone: 330-496-3211  
 Fax: 330-496-3097  
 Email: sealand@dometicusa.com

# PARTS LIST: 808,847, 848



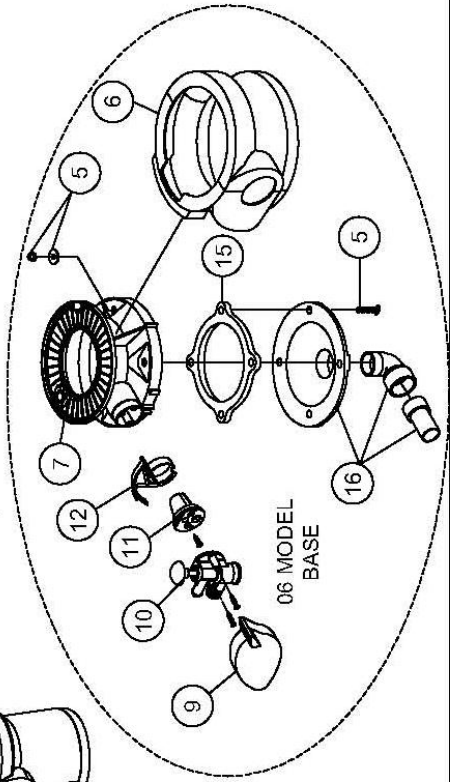
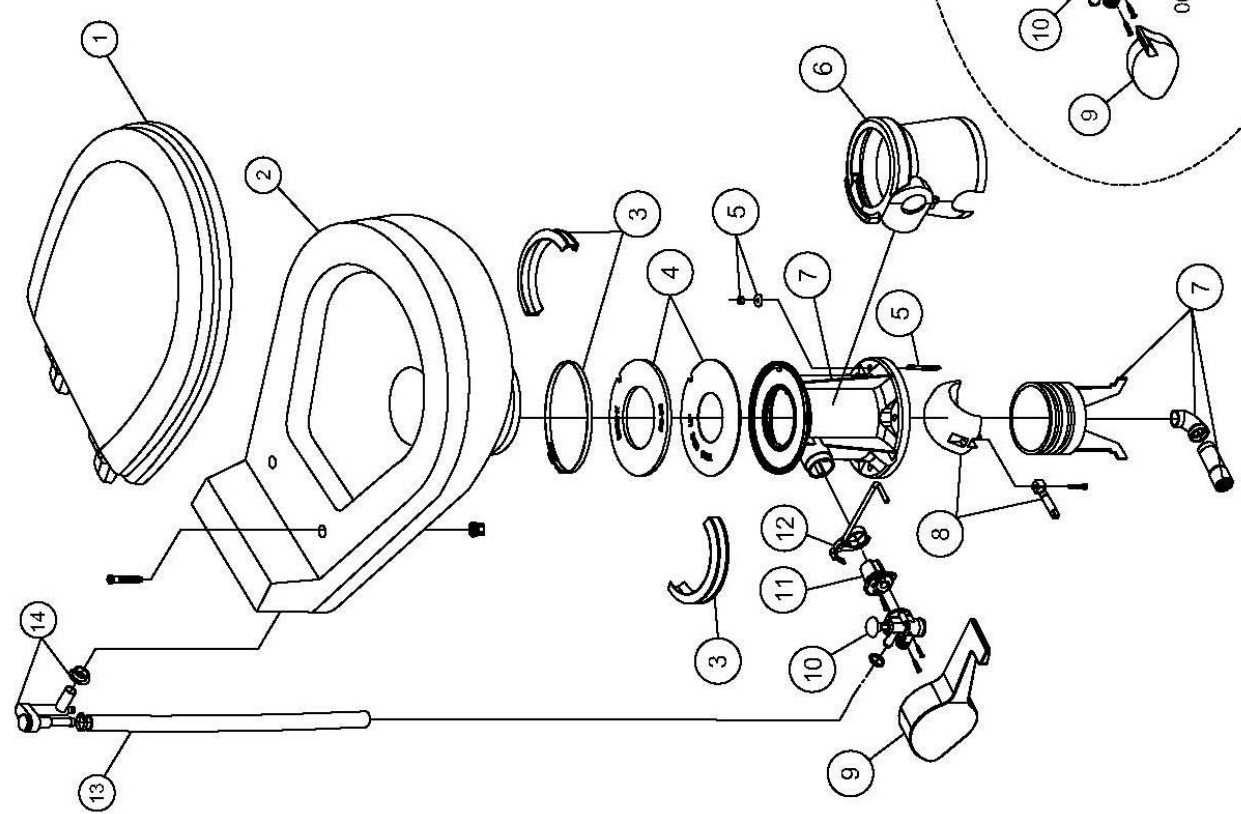
ITEM	PART NO.	DESCRIPTION
1	385344436	SEAT ASSEMBLY, WHITE
	385344437	SEAT ASSEMBLY, BONE
2	385310032	CHINA BOWL KIT, WHITE
	385310033	CHINA BOWL KIT, BONE
3	385310048	BAND & HALF CLAMP KIT - BONE
	385310025	BAND & HALF CLAMP KIT - WHITE
4	385311462	KIT, BASE SEAL/2 SEALS
5	385316323	MOUNTING HARDWARE
6	385310111	PEDESTAL COVER KIT - WHITE '08 MODEL
	385310112	PEDESTAL COVER KIT - BONE '08 MODEL
	385310674	PEDESTAL COVER KIT - WHITE '47 MODEL
	385310613	PEDESTAL COVER KIT - BONE '47 MODEL
	385310136	PEDESTAL COVER KIT - WHITE '48 MODEL
7	385310126	BASE KIT - WHITE (inc items 3-12) '08 MODEL
	385310127	BASE KIT - BONE (inc items 3-12) '08 MODEL
	385310665	BASE KIT - WHITE (inc items 3-12) '47 MODEL
	385310614	BASE KIT - BONE (inc items 3-12) '47 MODEL
	385310129	BASE KIT - WHITE (inc items 3-12) '48 MODEL
	385310130	BASE KIT - BONE (inc items 3-12) '48 MODEL
8	385318162	KIT,BALL,SHAFT & CART-WHITE(inc. item 11)
9	385310114	PEDAL COVER - WHITE
	385310115	PEDAL COVER - BONE
10	385314349	WATER VALVE - KIT
11	385236096	SPRING CARTRIDGE - KIT
12	385310578	PEDAL, CARTRIDGE, KIT (inc. item 11)
13	385340177	HOSE, SUPPLY - BONE
	385345377	HOSE, SUPPLY - WHITE
14	385316906	VACUUM BREAKER, KIT
N/S	385318741	KIT, FUNNEL '08

TOILET MODEL	DISCHARGE LOCATION
808	THROUGH THE FLOOR
847	OPPOSITE PEDAL
848	REAR OF TOILET

Dometic Corporation - Sanitation Systems  
13128 State Rt. 226, P.O. Box 38  
Big Prairie, OH 44611-0038 USA  
Telephone: 330-496-3211  
Fax: 330-496-3097  
Email: sealand@dometicusa.com

# PARTS LIST: VACUFLUSH MODELS 1006 - 1008 - 1047 - 1048 - 1049

ITEM	PART NUMBER		DESCRIPTION
	1008	1047 1048 1049	
1	385344436		SEAT ASSEMBLY, WHITE
	385344437		SEAT ASSEMBLY, BONE
2	385310615		CHINA BOWL KIT, WHITE
	385310616		CHINA BOWL KIT, BONE
3	385310025		BAND AND HALF CLAMP, KIT WHITE
	385310048		BAND AND HALF CLAMP, KIT BONE
4	385311462		SEAL REPLACEMENT, KIT
5	385310064		MOUNTING HARDWARE
	385310111	385310674	PEDESTAL COVER KIT, WHITE
	385310108	385310136	PEDESTAL COVER KIT, BONE
6	385310109	385310613	PEDESTAL COVER KIT, EBONY
	385310600	385310746	PEDESTAL COVER KIT, EBONY
	385310132	38531026	BASE KIT, WHITE (inc items 3-12)
	385310133	385310127	BASE KIT, BONE (inc items 3-12)
7	385310607	385310171	BASE KIT, EBONY (inc items 3-12)
		N/A	385310172
8	385318162		KIT, BALL SHAFT & CART, WHITE (inc. item 11)
	385310177		KIT, BALL SHAFT & CART, EBONY (inc. item 11)
9	385310117	385310111	PEDAL COVER, WHITE
	385310118	385310115	PEDAL COVER, BONE
	385310593	385310175	PEDAL COVER, EBONY
10		385314349	KIT, WATER VALVE
11		385236096	KIT, SPRING CARTRIDGE
12	385310579	385310578	KIT, LEVER/CART-BASE
		385340177	HOSE, SUPPLY - BONE
		385345377	HOSE, SUPPLY - WHITE
14		385316906	VACUUM BREAKER, KIT
15	385310063		KIT, FLOOR FLANGE SEAL
16	385318864		KIT, FUNNEL 506/606/706
N/S	385318741		KIT, FUNNEL 08

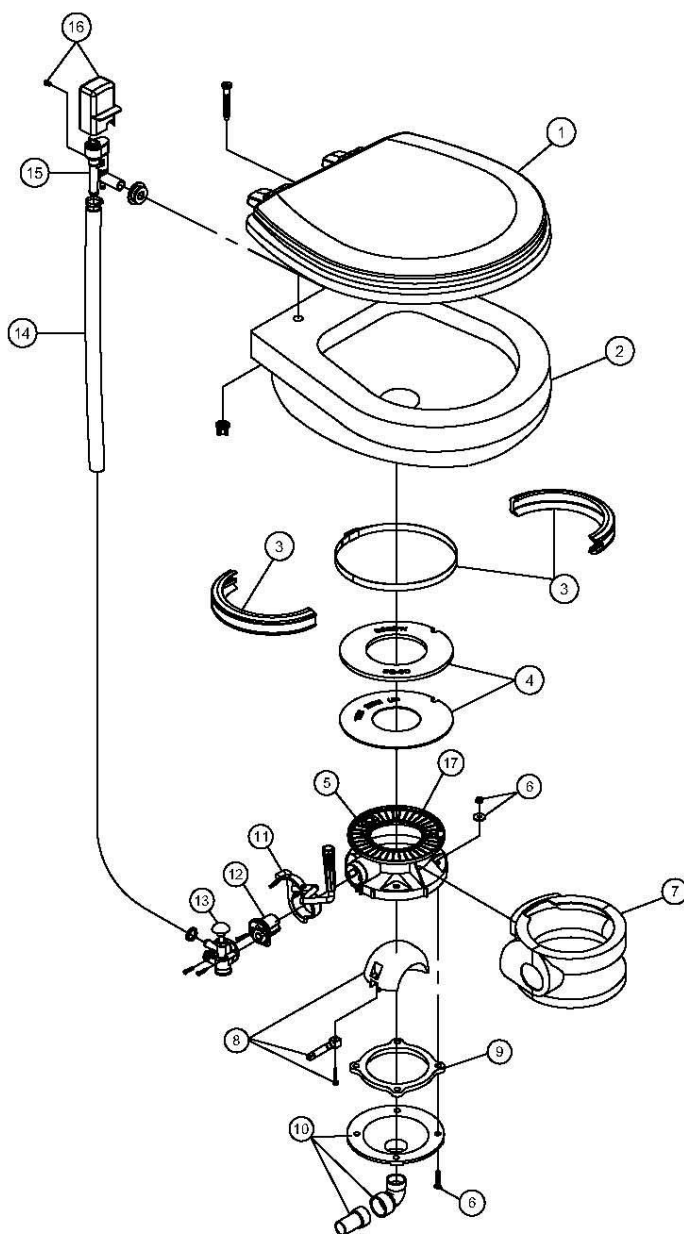


TOILET MODEL	DISCHARGE LOCATION
1008	THROUGH THE FLOOR
1047	OPPOSITE PEDAL
1048	REAR OF TOILET
1049	UNDER PEDAL
1006	THROUGH THE FLOOR

Domestic Corporation - Sanitation Systems  
13126 State Rt. 226, P. O. Box 38  
Big Prairie, OH 44611-0038 USA  
Telephone: 330-496-3211  
Fax: 330-496-3097  
Email: sealano@domesticusa.com

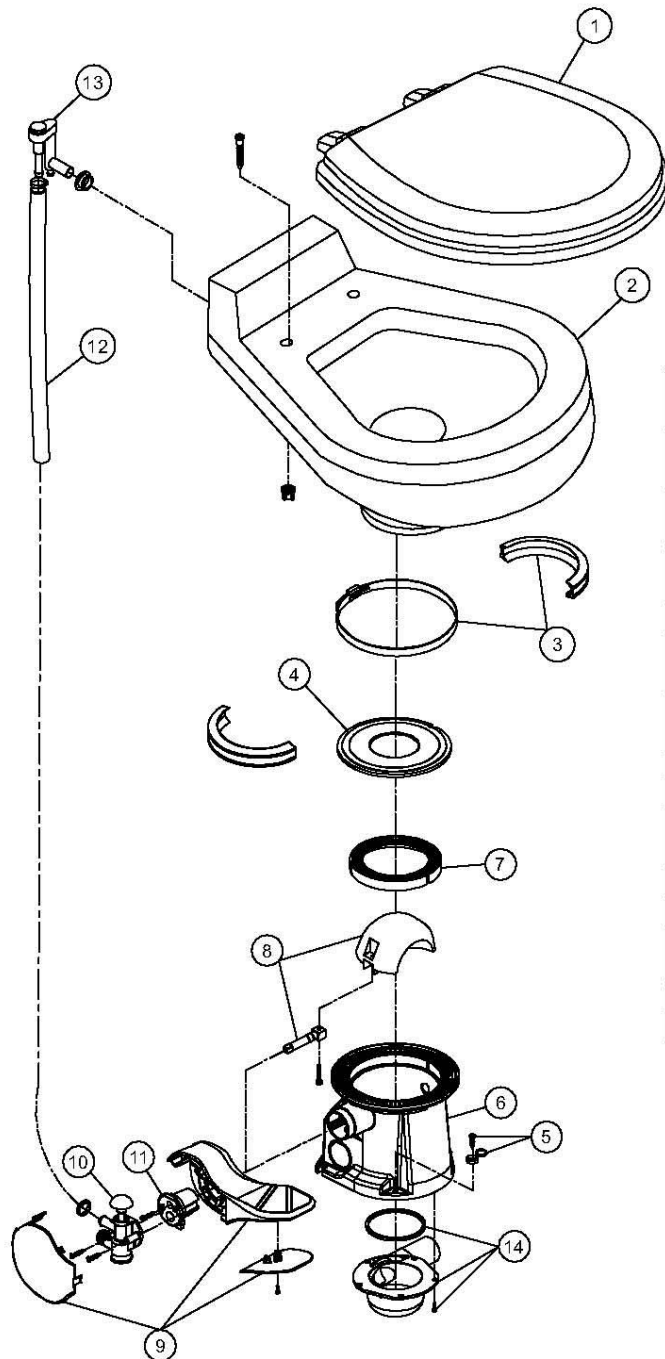
## PARTS LIST: VACUFLUSH 1106

ITEM	PART NO.	DESCRIPTION	ITEM	PART NO.	DESCRIPTION
1	385344437	SEAT & LID ASSEMBLY, BONE	9	385310063	FLOOR FLANGE SEAL KIT (inc.item 6)
2	385310781	CHINA BOWL, BONE	10	385318864	FUNNEL KIT (inc.item 6 & 9)
3	385310048	HALF CLAMP KIT, BONE	11	385311095	HAND FLUSH KIT - (inc.item 12)
4	385311462	BASE, SEAL KIT REPLACEMENT	12	385236096	SPRING CARTRIDGE KIT
5	385311094	BASE KIT, BONE (inc. items 3 -13)	13	385314349	WATER VALVE KIT
6	385310064	MOUNTING KIT	14	385340177	SUPPLY HOSE, BONE
7	385310109	PEDESTAL COVER KIT, BONE	15	385310687	VACUUM BREAKER KIT
8	385318162	BALL/SHAFT/CARTRIDGE KIT (inc. item 12)	16	385310782	VACUUM BREAKER COVER



Dometic Corporation - Sanitation Systems  
13128 State Rt. 226, P.O. Box 38  
Big Prairie, OH 44611-0038 USA  
Telephone: 330-496-3211  
Fax: 330-496-3097  
Email: sealand@dometicus.a.com

# PARTS LIST: 1147 - 1148



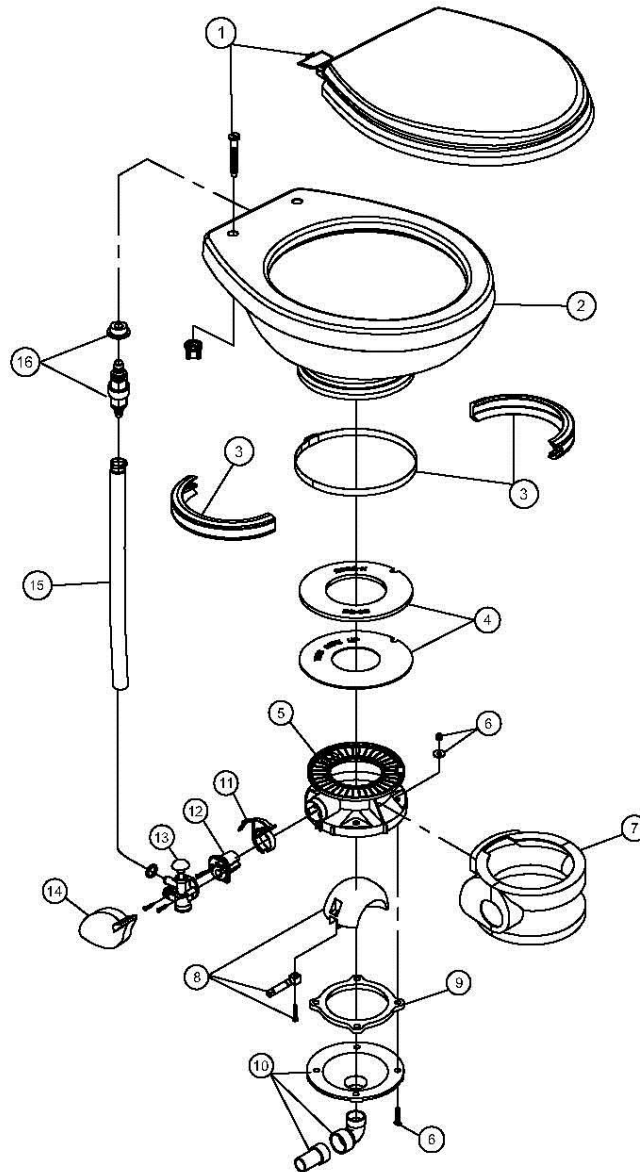
ITEM	PART NUMBER		DESCRIPTION
	1147	1148	
1	385344436		SEAT ASSEMBLY, WHITE
	385344437		SEAT ASSEMBLY, BONE
2	385310615		CHINA BOWL KIT, WHITE
	385310616		CHINA BOWL KIT, BONE
3	385310025		BAND AND HALF CLAMP, KIT WHITE
	385310048		BAND AND HALF CLAMP, KIT BONE
4	385310677		SEAL REPLACEMENT , KIT
5	385310679		MOUNTING HARDWARE - WHITE
	385310785		MOUNTING HARDWARE - BONE
6	385310685	385310686	BASE KIT , WHITE (inc. items 3-11 & 14)
	385310783	385310784	BASE KIT , BONE (inc. items 3-11&14)
7	385311292		BASE RING
8	385310681		KIT,BALL,SHAFT & CART, WHITE (inc. item 11)
9	385310682		PEDAL KIT, WHITE (inc. item 11)
	385310762		PEDAL KIT, BONE (inc. item 11)
10	385314349		WATER VALVE, KIT
11	385310683		SPRING CARTRIDGE, KIT
12	385340177		HOSE, SUPPLY - BONE.
	385345377		HOSE, SUPPLY - WHITE
13	385316906		VACUUM BREAKER, KIT
14	385310680		DISCHARGE KIT

TOILET MODEL	DISCHARGE LOCATION
147	OPPOSITE PEDAL
148	REAR OF TOILET

Dometic Corporation - Sanitation Systems  
13128 State Rt. 226, P.O. Box 38  
Big Prairie, OH 44611-0038 USA  
Telephone: 330-496-3211  
Fax: 330-496-3097  
Email: sealand@dometicusa.com

# PARTS LIST: VACUFLUSH 5006

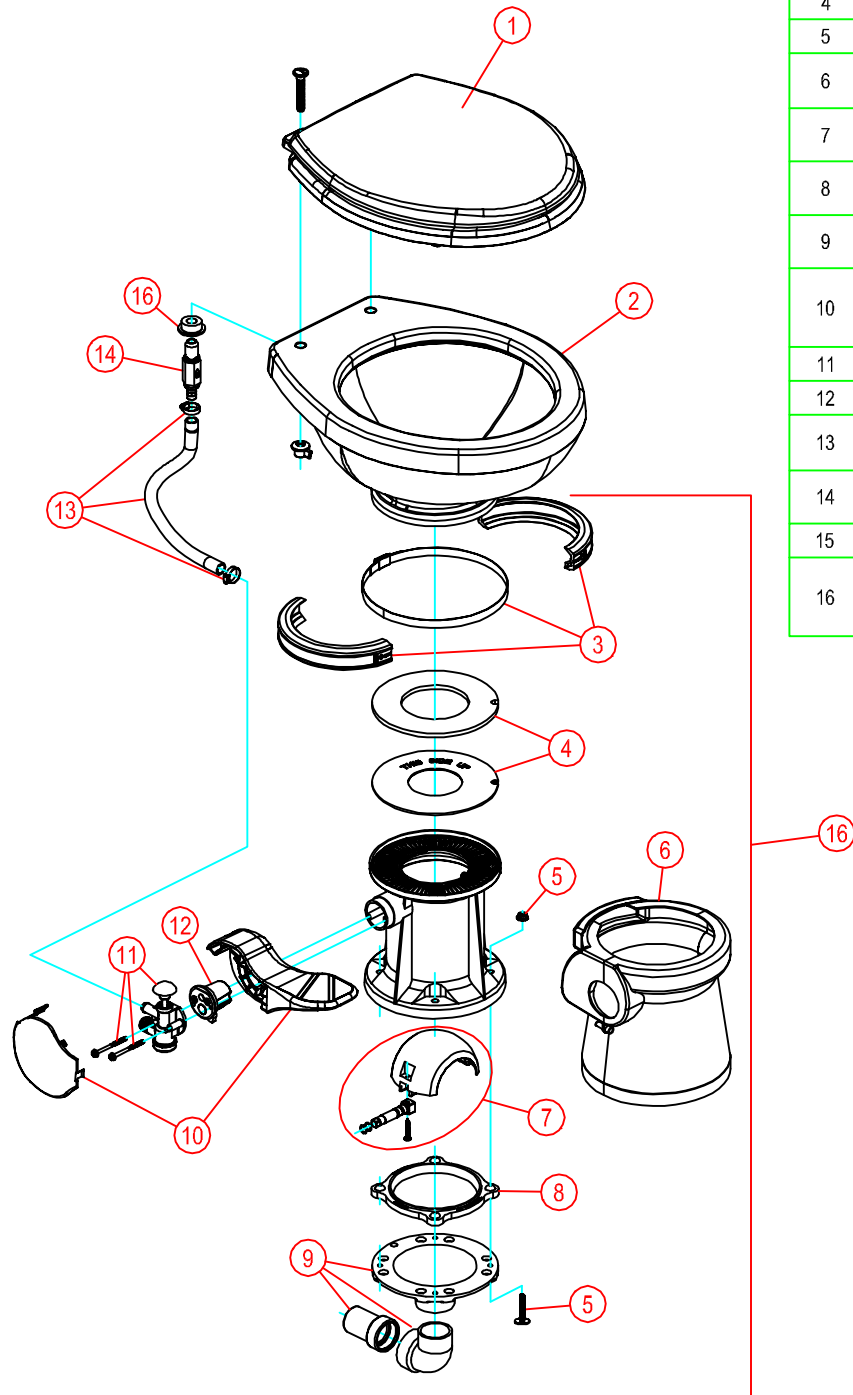
ITEM	PART NO.	DESCRIPTION	ITEM	PART NO.	DESCRIPTION
1	385343829	SEAT & LID ASSEMBLY, WHITE	8	385318162	BALL/SHAFT/CARTRIDGE KIT (inc. item 12)
	385343831	SEAT & LID ASSEMBLY, BONE	9	385310063	FLOOR FLANGE SEAL KIT (inc.item 6)
2	385311079	CHINA BOWL, WHITE	10	385318864	FUNNEL KIT (inc.item 6 & 9)
	385311080	CHINA BOWL, BONE	11	385310579	FLUSH PEDAL KIT- (inc.item 12)
3	385310048	HALF CLAMP KIT, BONE	12	385236096	SPRING CARTRIDGE KIT
4	385311462	KIT, SEAL KIT-VACUFLUSH	13	385314349	WATER VALVE KIT
5	385310132	BASE KIT, WHITE (inc. items 3 -14)	14	385310117	PEDAL COVER, WHITE
	385310133	BASE KIT, BONE (inc. items 3 -14)		385310118	PEDAL COVER, BONE
6	385310064	MOUNTING KIT	15	385345377	SUPPLY HOSE, WHITE
7	385310108	PEDESTAL COVER KIT, WHITE		385340177	SUPPLY HOSE, BONE
	385310109	PEDESTAL COVER KIT, BONE	16	385311456	KIT, CHECK VALVE



Dometic Corporation - Sanitation Systems  
13128 State Rt. 226, P.O. Box 38  
Big Prairie, OH 44611-0038 USA  
Telephone: 330-496-3211  
Fax: 330-496-3097  
Email: sealand@dometicusa.com



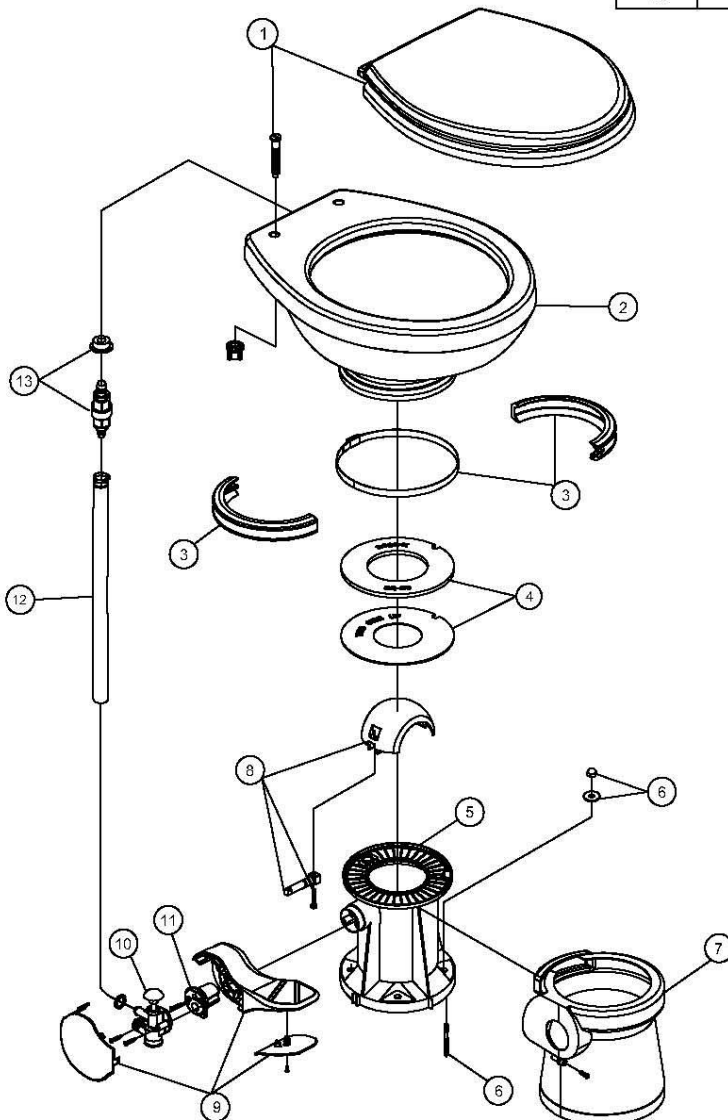
# PARTS LIST: VACUFLUSH 5009 SERIES



ITEM	PART NUMBER & DESCRIPTION
1	385343829 SEAT/COVER - WHITE
	385343831 SEAT/COVER - BONE
2	385311079 CHINA BOWL KIT - WHITE
	385311080 CHINA BOWL KIT - BONE
3	385310048 BOWL/BASE CLAMP KIT
4	385311462 FLUSH BALL SEAL REP'L KIT
5	385310064 MOUNTING HARDWARE
6	385310111 PEDESTAL COVER - WHITE
	385310112 PEDESTAL COVER - BONE
7	385310954 FLUSH BALL, SHAFT, CARTRIDGE KIT **INCLUDES ITEM 12.
8	385310063 FLOOR FLANGE SEAL **INCLUDES ITEM 5
9	385318864 FUNNEL KIT ('06/'09 MODELS) **INCLUDES ITEM 5 & 8
10	385310682 PEDAL/CARTRIDGE KIT - WHITE
	385310762 PEDAL/CARTRIDGE KIT - BONE **INCLUDES ITEM 12
11	385314349 WATER VALVE KIT
12	385310683 SPRING CARTRIDGE KIT
13	385345377 BOWL WATER SUPPLY HOSE - WHITE
	385340177 BOWL WATER SUPPLY HOSE - BONE
14	385311456 CHECK VALVE KIT **INCLUDES ITEM 15
15	385311164 1/2" SEALING GROMMET
16	385311081 '09 BASE KIT PLASTIC PEDAL - WHITE
	385310978 '09 BASE KIT PLASTIC PEDAL - BONE **INCLUDES ITEMS 3-12

## PARTS LIST: VACUFLUSH 5047-5048-5049

ITEM	PART NO.	DESCRIPTION	ITEM	PART NO.	DESCRIPTION
1	385343829	SEAT & LID ASSEMBLY, WHITE	7	385310674	5047 PEDESTAL COVER KIT, WHITE
	385343831	SEAT & LID ASSEMBLY, BONE		385310613	5047 PEDESTAL COVER KIT, BONE
2	385311079	CHINA BOWL, WHITE		385310136	5048 PEDESTAL COVER KIT, WHITE
	385311080	CHINA BOWL, BONE		385310137	5048 PEDESTAL COVER KIT, BONE
3	385310048	HALF CLAMP KIT, BONE		385310904	5049 PEDESTAL COVER KIT, WHITE
4	385311462	KIT, SEAL KIT-VACUFLUSH		385310913	5049 PEDESTAL COVER KIT, BONE
5	385311084	5047 BASE KIT, WHITE (INC. 3-11)	8	385310954	KIT, BALL/BRASS SHAFT/P CART (INC. 11)
	385311085	5047 BASE KIT, BONE (INC. 3-11)	9	385310682	FLUSH PEDAL KIT-WHITE (INC. 11)
	385310910	5048 BASE KIT, WHITE (INC. 3-11)		385310762	FLUSH PEDAL KIT-BONE (INC. 11)
	385311086	5048 BASE KIT, BONE (INC. 3-11)	10	385314349	WATER VALVE KIT
	385310903	5049 BASE KIT, WHITE (INC. 3-11)	11	385310683	SPRING CARTRIDGE KIT
385311087	5049 BASE KIT, BONE (INC. 3-11)	12	385345377	SUPPLY HOSE, WHITE	
6	385316323		MOUNTING KIT	385340177	SUPPLY HOSE, BONE
			13	385311456	INLINE CHECK VALVE, KIT

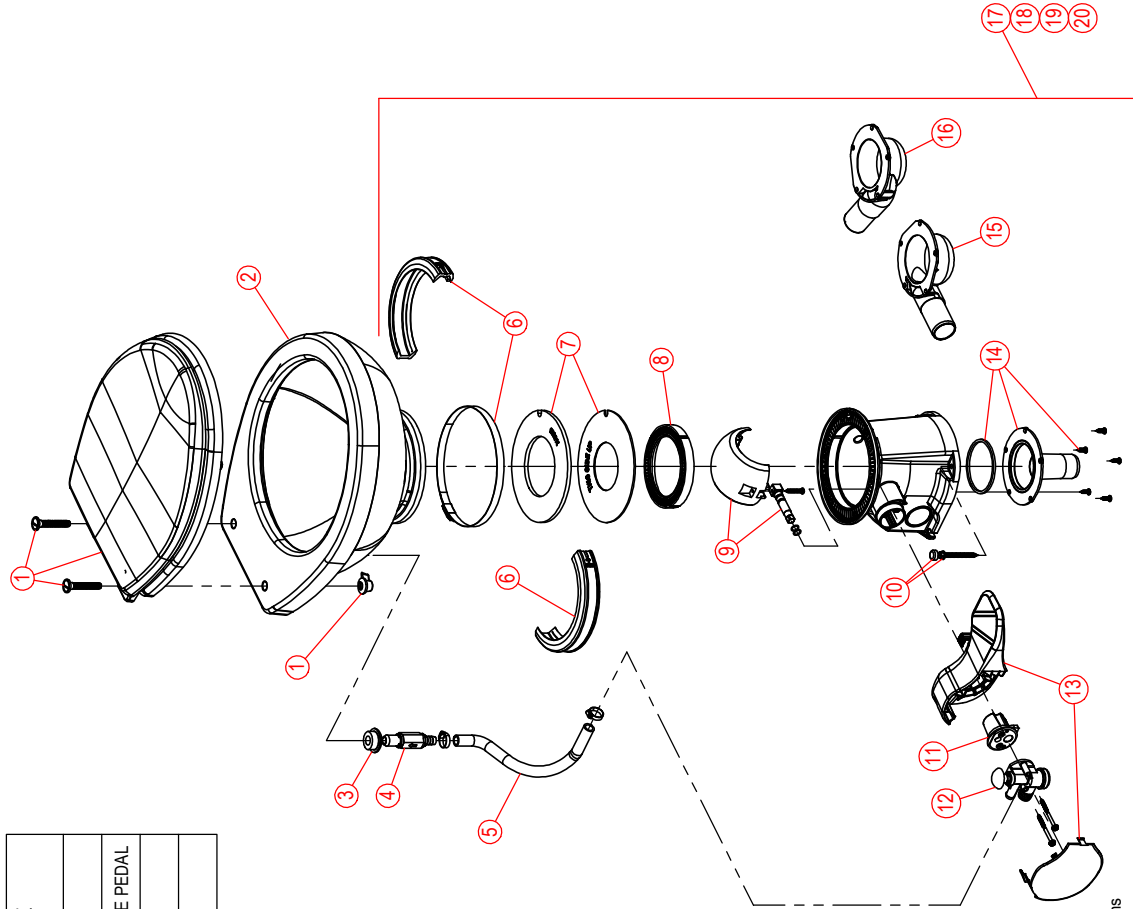


TOILET MODEL	DISCHARGE LOCATION
5047	OPPOSITE PEDAL
5048	REAR OF TOILET
5049	UNDER PEDAL

Dometic Corporation - Sanitation Systems  
 13128 State Rt. 226, P.O. Box 38  
 Big Prairie, OH 44611-0038 USA  
 Telephone: 330-496-3211  
 Fax: 330-496-3097  
 Email: sealand@dometicusa.com

# PARTS LIST: VACUFLUSH MODELS 5146; 5147; 5148; 5149

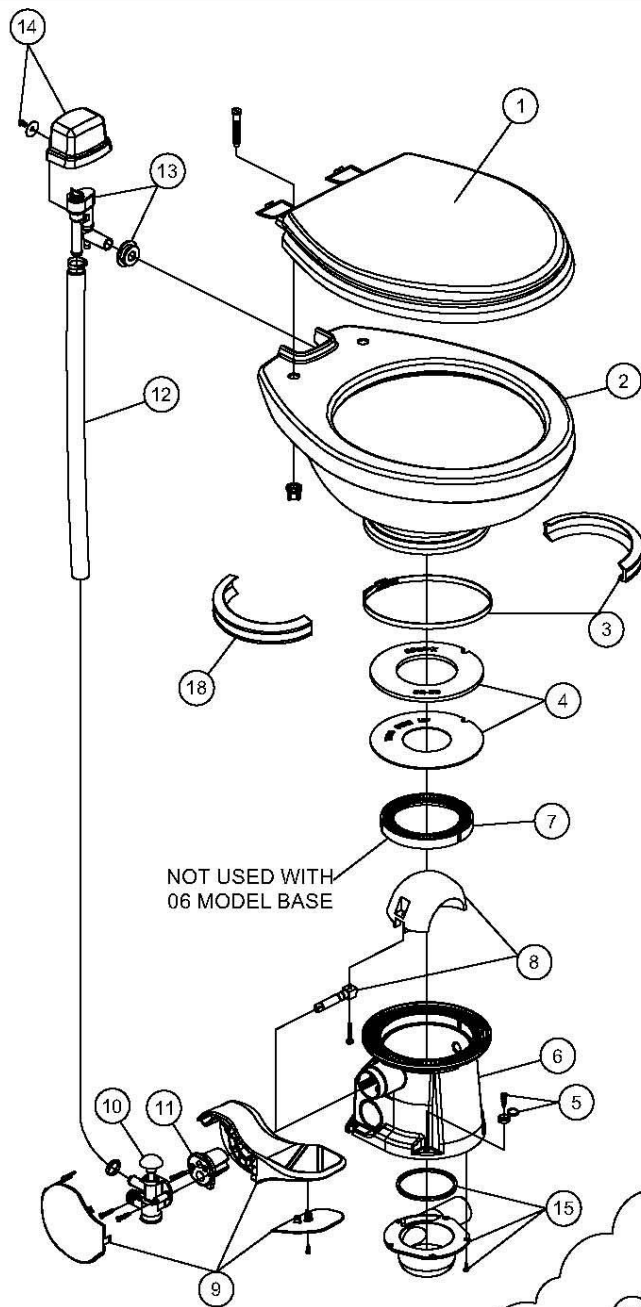
MODEL	DISCHARGE LOCATION
5146	THRU THE FLOOR
5147	OPPOSITE SIDE OF THE PEDAL
5148	REAR OF THE TOILET
5149	UNDER THE PEDAL



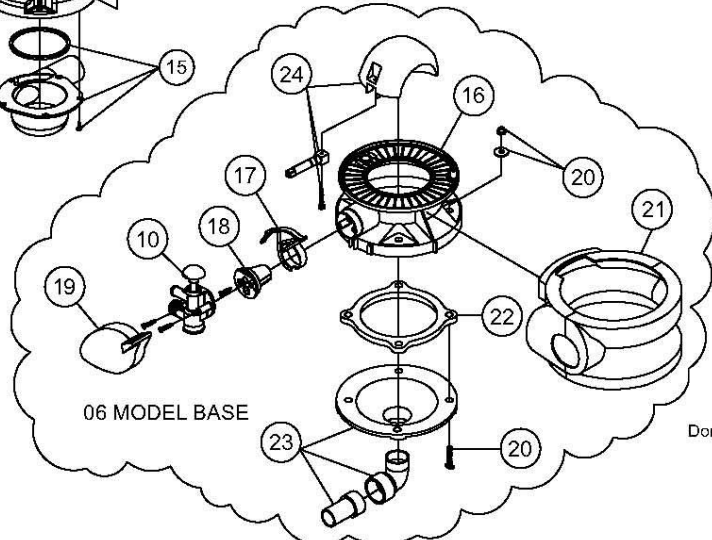
ITEM	PART NUMBER & DESCRIPTION
1	385343829 - SEAT/COVER - WHITE 385343831 - SEAT/COVER - BONE
2	385311079 - BOWL KIT - WHITE 385311080 - BOWL KIT - BONE
3	385311164 - 1/2" SEALING GROMMET
4	385311456 - BARBED CHECK VALVE REPLACEMENT **Includes Item 3.
5	385345377 - BOWL WATER SUPPLY HOSE **Includes Hose Clamps.
6	385310025 - BOWL/BASE CLAMP KIT - WHITE 385310048 - BOWL/BASE CLAMP KIT - BONE
7	385311462 - FLUSH BALL SEAL REPLACEMENT KIT
8	385311292 - BASE FLUSH BALL RING KIT
9	385310954 - FLUSH BALL / SHAFT (BRASS) KIT **Includes Item 12.
10	385310679 - MOUNTING HARDWARE - WHITE 385310785 - MOUNTING HARDWARE - BONE
11	385310683 - SPRING CARTRIDGE KIT
12	385314349 - WATER VALVE KIT **Includes Mounting Screws.
13	385310682 - FLUSH PEDAL KIT - WHITE 385310762 - FLUSH PEDAL KIT - BONE **Includes Item 11.
14	385311713 - DISCHARGE KIT - 146 SERIES **Includes Seal & Mounting Screws.
15	385310936 - DISCHARGE KIT - 149 SERIES **Includes Seal & Mounting Screws.
16	385310680 - DISCHARGE KIT - 147/148 SERIES **Includes Seal & Mounting Screws.
17	385311711 - 146 SERIES BASE KIT - WHITE 385311712 - 146 SERIES BASE KIT - BONE **Includes Items 6 - 14.
18	385310685 - 147 SERIES BASE KIT - WHITE 385310783 - 147 SERIES BASE KIT - BONE **Includes Items 6 - 13 & 16.
19	385310686 - 148 SERIES BASE KIT - WHITE 385310784 - 148 SERIES BASE KIT - BONE **Includes Items 6 - 13 & 16.
20	385310975 - 149 SERIES BASE KIT - WHITE 385310976 - 149 SERIES BASE KIT - BONE **Includes Items 6 - 13 & 15.

Dometic Corporation - Sanitation Systems  
13128 State Rt. 226, P.O. Box 38  
Big Prairie, OH 44611-0038 USA  
Telephone: 330-439-5550  
Fax: 330-496-3097  
Email: sealand@dometicsusa.com

# PARTS LIST: VACUFLUSH 606 - 647 - 648



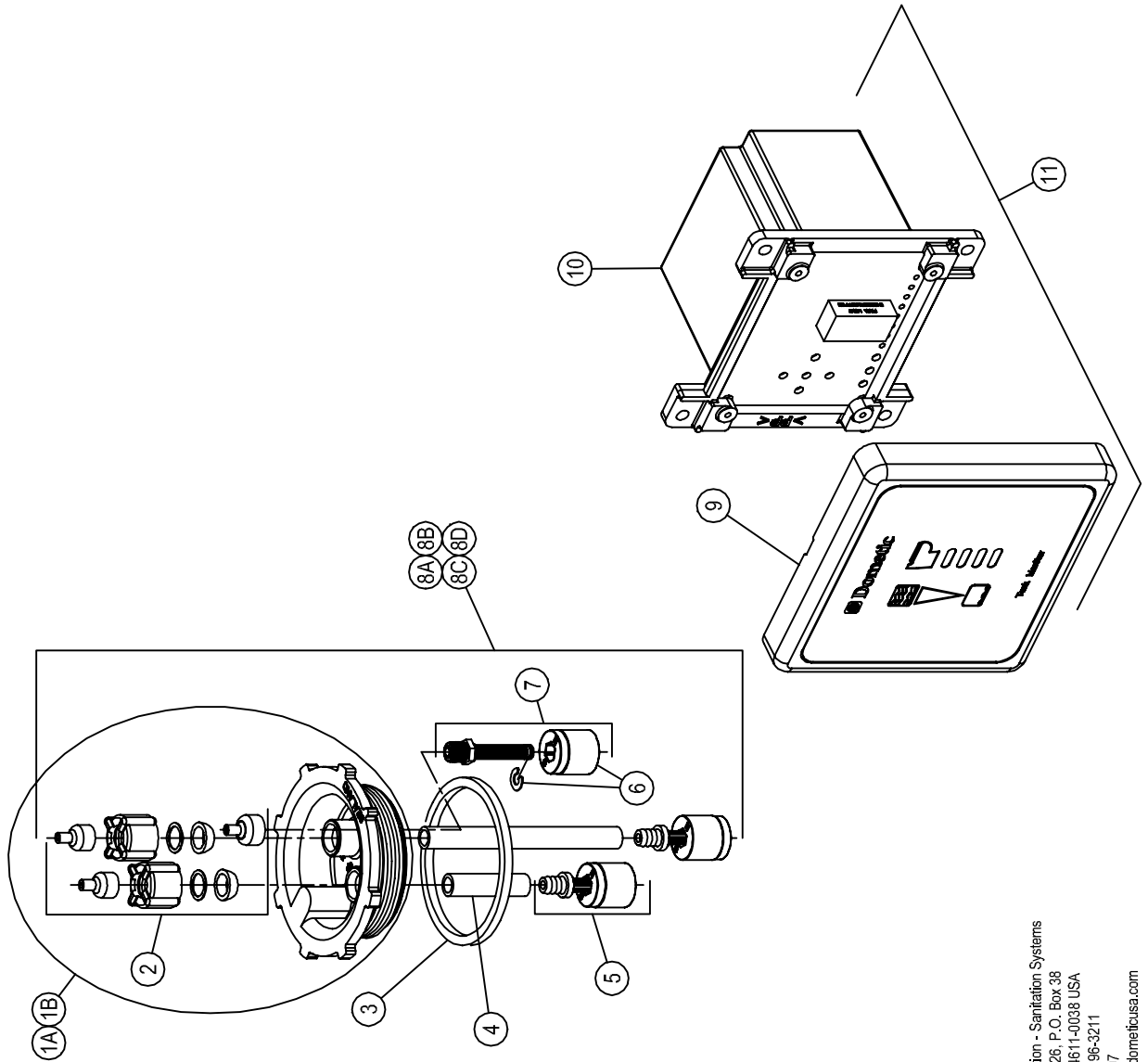
ITEM	PART NUMBER		DESCRIPTION
	647	648	
1	385343829		KIT, SEAT-CV'R 500+ -WHITE
	385343831		KIT, SEAT-CV'R 500+ -BONE
2	385310790		KIT,BOWL TRAVELER LITE/WHITE
	385310791		KIT,BOWL TRAVELER LITE/BONE
3	385310025		KIT, HALF CLAMP-WHITE
	385310048		KIT, HALF CLAMP-BONE
4	385311462		KIT, SEAL KIT-VACUFLUSH
5	385310679		KIT, MOUNTING-ECOVCAC - WHITE
	385310785		KIT, MOUNTING-ECOVCAC - BONE
6	385310685	385310686	BASE KIT , WHITE (INC. 3-11&15)
	385310783	385310784	BASE KIT , BONE (INC. 3-11&15)
7	385311292		KIT, BASE RING INSERT
8	385310954		KIT, BALL/BRASS SHAFT/P CART (INC. 11)
9	385310682		KIT, ECOVAC PEDAL/CART-WHT (INC. 11)
	385310762		KIT, PEDAL ECOVAC/110-BONE (INC. 11)
10	385314349		KIT, WATER VALVE
11	385310683		KIT, SPRING CARTRIDGE-ECOVCAC
12	385340177		KIT, SUPPLY HOSE-BONE
	385345377		KIT, SUPPLY HOSE-WHITE
13	385310687		KIT, VAC BRK-ECOVCAC
14	385310795		KIT, VAC BREAKER COVER/TL/WHT
	385310796		KIT, VAC BREAKER COVER/TL/BONE
15	385310680		KIT, DISCHARGE 147/148-ECOVCAC
	385310936		KIT, DISCHARGE 149-ECOVCAC
<b>606 MODEL REPLACEMENT PARTS</b>			
16	385310132		KIT, 506/806/706 BASE-WHT (INC.3-11&15)
	385310133		KIT, 506/806/706BASE-BONE (INC. 3-11&15)
17	385310579		KIT, LEVER/CART-SHORT BASE
18	385236096		KIT, SPRING CARTRIDGE
	385310117		KIT, SHORT PEDAL COVER-WHT
19	385310118		KIT, SHORT PEDAL COVER-BONE
	385310064		KIT, MOUNT-TRAVELER-506/806
21	385310108		KIT, SHORT BASE COVER-WHITE
	385310109		KIT, SHORT BASE COVER-BONE
22	385310063		KIT, FLOOR FLANGE SEAL (INC. 5)
23	385318864		KIT, FUNNEL 506/806/706 (INC. 20 & 23)
24	385310954		KIT, BALL/BRASS SHAFT/P CART (INC. 18)



Dometic Corporation - Sanitation Systems  
13128 State Rt. 226, P.O. Box 38  
Big Prairie, OH 44611-0038 USA  
Telephone: 330-496-3211  
Fax: 330-496-3097  
Email: sealand@dometicusa.com

# PARTS LIST: DTM04; DMT08; DTM12 MODELS

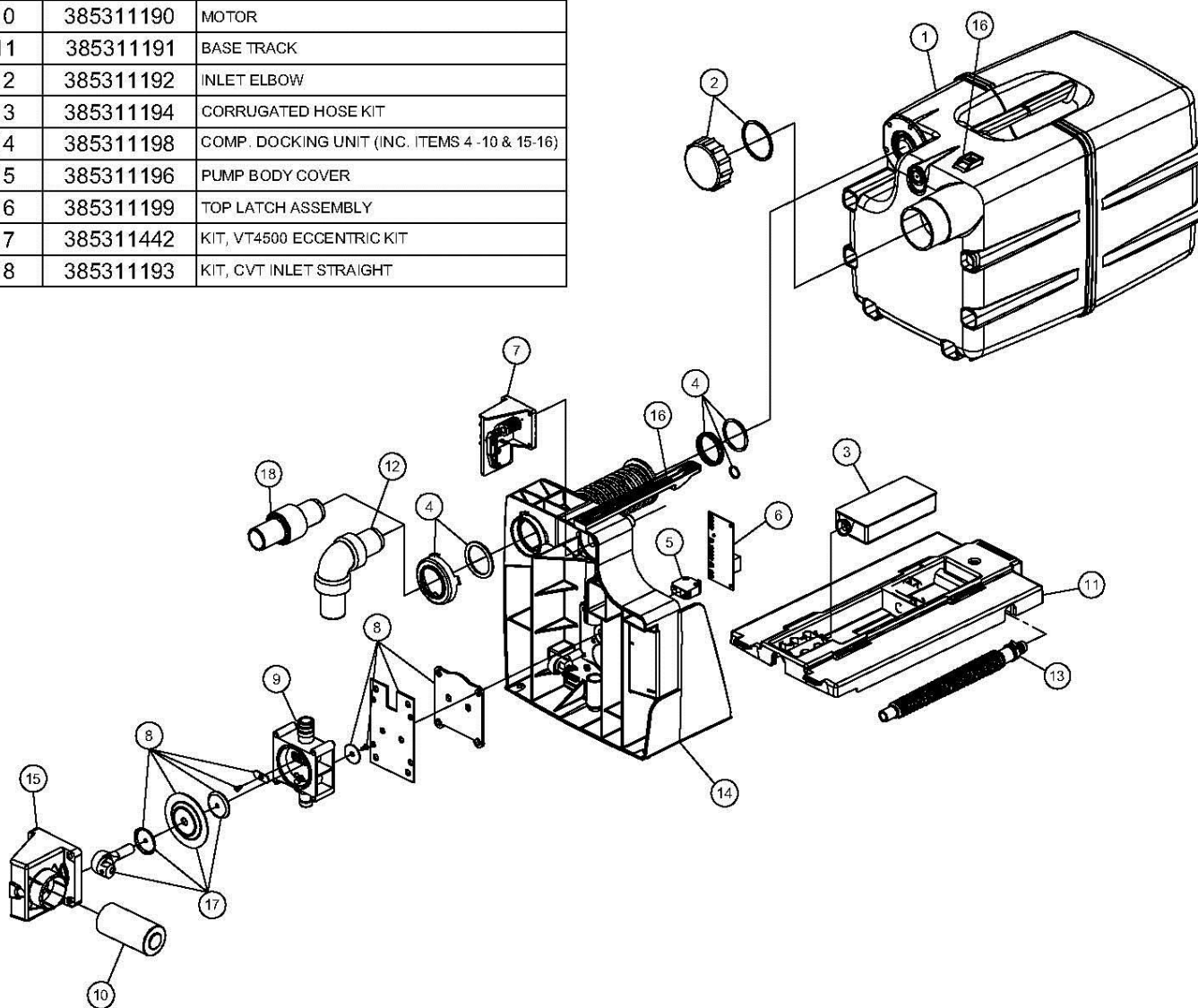
ITEM	PART NUMBER & DESCRIPTION
1A	385311765 TW CAP ASSEMBLY w/VENT
1B	385311766 TW CAP ASSEMBLY w/o VENT
2	385310258 COMPRESSION NUT KIT
3	385311250 TW CAP O'RING REPLACEMENT
4	385230930 22" FLEX PROBE KIT
5	385310758 BARBED STEM/FLOAT REPLACEMENT
6	385311103 TANK LEVEL FLOAT & LOCK RING
7	385230268 THREADED STEM/FLOAT REPLACEMENT
8A	313000350 TW CAP COMPLETE w/VENT
8B	313000355 TW CAP COMPLETE w/o VENT
8C	313000345 TW CAP COMPLETE w/VENT 45" PROBES
8D	313000346 TW CAP COMPLETE w/o VENT 45" PROBES
9	385311477 PANEL COVER DTM04 - BLACK
	385311478 PANEL COVER DTM04 - WHITE
	385311479 PANEL COVER DTM08 - BLACK
	385311480 PANEL COVER DTM08 - WHITE
	385311481 PANEL COVER DTM12 - BLACK
10	385311482 PANEL COVER DTM12 - WHITE
	385311483 CIRCUIT BOARD PANEL - DTM04
	385311484 CIRCUIT BOARD PANEL - DTM08
11	385311485 CIRCUIT BOARD PANEL - DTM12
	313604401 DTM04 PANEL ONLY - BLACK
	313604411 DTM04 PANEL ONLY - WHITE
	313608401 DTM08 PANEL ONLY - BLACK
	313608411 DTM08 PANEL ONLY - WHITE
	313612401 DTM12 PANEL ONLY - BLACK
	313612411 DTM12 PANEL ONLY - WHITE
NOT SHOWN	385311579 12VDC SHUTDOWN RELAY KIT (DTM04 ONLY)
	385311580 24VDC SHUTDOWN RELAY KIT (DTM04 ONLY)



Dometic Corporation - Sanitation Systems  
 13128 State Rt. 226, P.O. Box 38  
 Big Prairie, OH 44611-0038 USA  
 Telephone: 330-496-3211  
 Fax: 330-496-3097  
 Email: sealand@dometicus.com

## PARTS LIST: CVT MARINE 326002510

ITEM	PART NO.	DESCRIPTION
1	385311326	HOLDING TANK ( INC. ITEM 2 & 16)
2	385311181	CAP AND SEAL
3	385311183	VENT FILTER
4	385311184	O'RING KIT
5	385311185	SNAP ACTION SWITCH
6	385311186	CIRCUIT BOARD
7	385311187	VACUUM SWITCH ASSY.
8	385311188	PUMP REBUILD KIT
9	385311189	COMPLETE AIR PUMP BODY (INC. ITEM 8)
10	385311190	MOTOR
11	385311191	BASE TRACK
12	385311192	INLET ELBOW
13	385311194	CORRUGATED HOSE KIT
14	385311198	COMP. DOCKING UNIT (INC. ITEMS 4 -10 & 15-16)
15	385311196	PUMP BODY COVER
16	385311199	TOP LATCH ASSEMBLY
17	385311442	KIT, VT4500 ECCENTRIC KIT
18	385311193	KIT, CVT INLET STRAIGHT

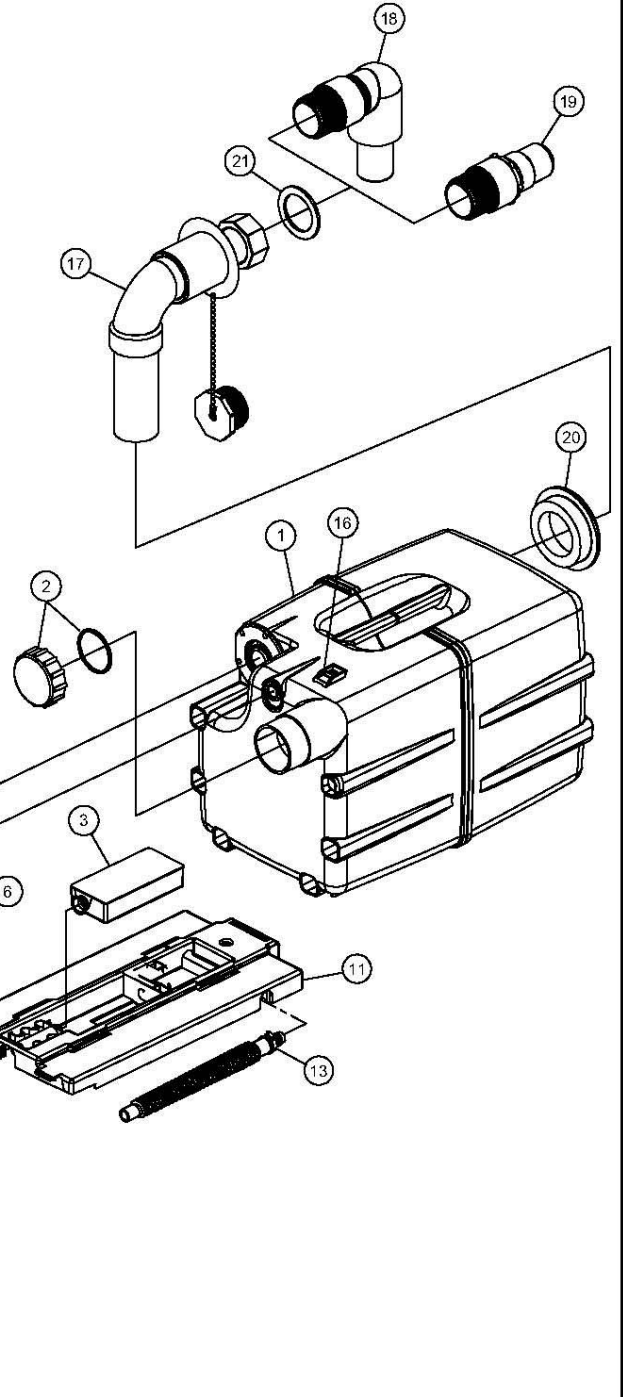


Dometic Corporation - Sanitation Systems  
13128 State Rt. 226, P.O. Box 38  
Big Prairie, OH 44611-0038 USA  
Telephone: 330-496-3211  
Fax: 330-496-3097  
Email: sealand@dometicusa.com



## PARTS LIST: CVT MARINE 326002520 & 326002521

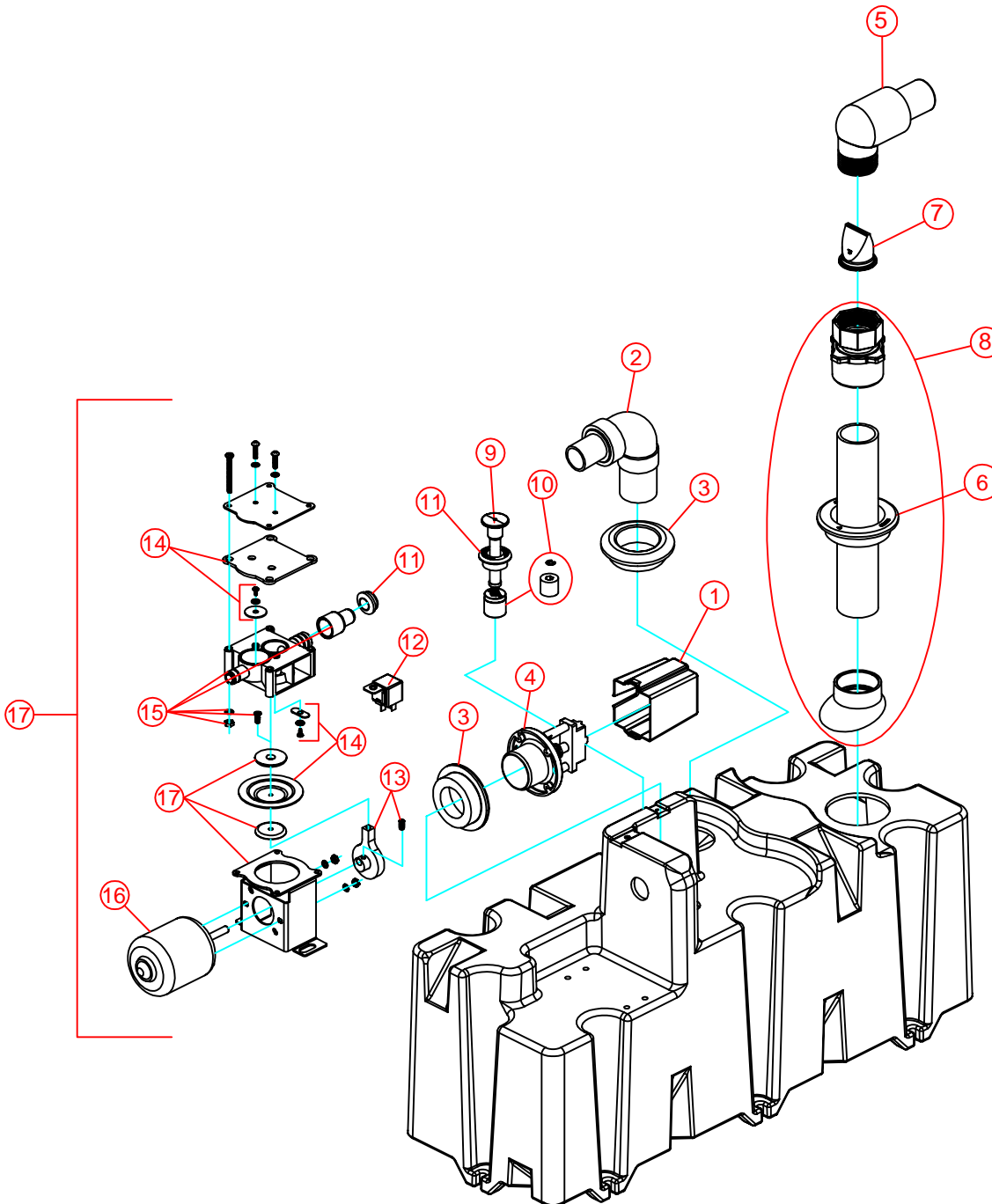
ITEM	PART NO.	DESCRIPTION
1	385311182	HOLDING TANK ( INCLUDES ITEM 2 ,16,17,20,21)
2	385311181	CAP AND SEAL
3	385311183	VENT FILTER
4	385311184	O'RING KIT
5	385311185	SNAP ACTION SWITCH
6	385311186	CIRCUIT BOARD
7	385311187	VACUUM SWITCH ASSY.
8	385311188	PUMP REBUILD KIT
9	385311189	COMPLETE AIR PUMP BODY (INCLUDES ITEM 8)
10	385311190	MOTOR
11	385311191	BASE TRACK
12	385311192	INLET ELBOW
13	385311194	CORRUGATED HOSE KIT
14	385311198	COMP. DOCKING UNIT (INC. ITEMS 4 -10 & 15,16)
15	385311196	PUMP BODY COVER
16	385311199	TOP LATCH ASSEMBLY
17	385311243	KIT, DIPTUBE ASSY-CVT (INC. ITEM 21)
18	385311244	KIT, DISCHARGE ELBOW-CVT (INC. ITEM 21)
19	385311245	KIT, DISCHARGE STR'T FIT-CVT (INC. ITEM 21)
20	385311110	KIT, SEALING GROMMET 2"
21	385311233	KIT, SLIP SEAL 1-1/2" REPL
22	385311442	KIT, VT4500 ECCENTRIC KIT
23	385311193	KIT, CVT INLET STRAIGHT



Dometic Corporation - Sanitation Systems  
13128 State Rt. 226, P.O. Box 38  
Big Prairie, OH 44611-0038 USA  
Telephone: 330-496-3211  
Fax: 330-496-3097  
Email: sealand@dometicusa.com

# PARTS LIST: VACUUM HOLDING TANK MODEL - 317769012

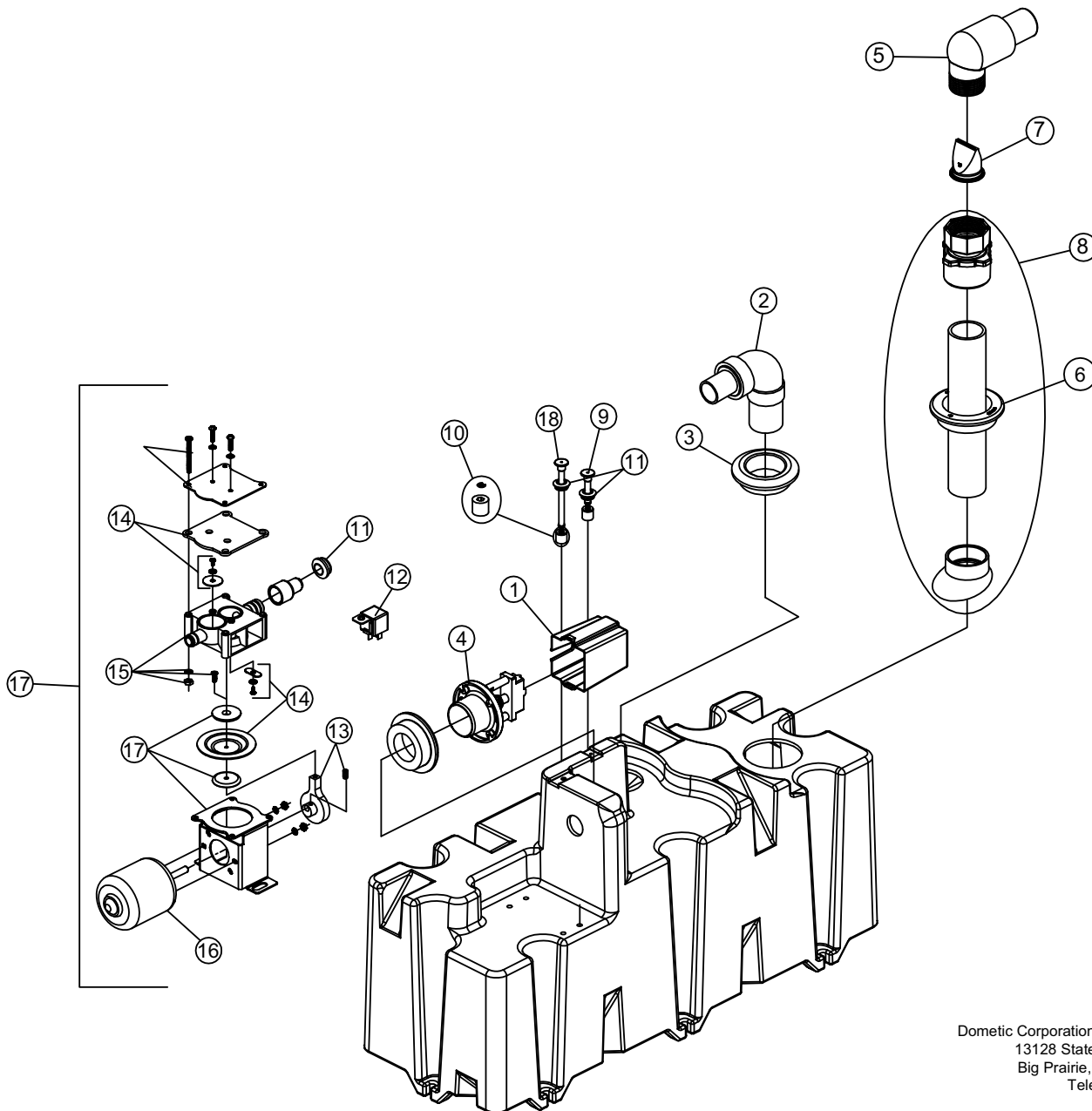
ITEM	PART NO.		ITEM	PART NO.	DESCRIPTION
1	385311420	KIT, SNAP-ON VAC SW'CH CVR-BLK	10	385311103	KIT, SWITCH FLOAT & LOCK RING
2	385310635	INLET ELBOW KIT (INCLUDES ITEM 3)	11	385311164	KIT, SEALING GROMMET 1/2"
3	385311111	1-1/2" SEALING GROMMET	12	385311774	KIT, RELAY SPDT 12V VF4
4	385311436	KIT, VACUUM SWITCH (INC 3)	13	385310631	KIT, CONNECTING ROD-AIR PUMP
5	385311069	KIT, THR'D ELBOW W/HOSE ADAPT	14	385311040	KIT, VHT AP VALVE REPL
6	385311110	KIT, 2" SEALING GROMMET	15	385311440	KIT, VT4500 AIRPUMP ASSY (INC. 14)
7	385310076	KIT, DUCKBILL VALVE	16	385310664	KIT, MOTOR-VHT
8	385311421	KIT, DIPTUBE W/SWIVEL NUT (INC 6)	17	385310642	KIT, VHT AIR PUMP-COMP (INC 13,14,15,16)
9	385310629	KIT, FULL INDICATOR-VHT (INC 11)			



Dometic Corporation - Sanitation Systems  
 13128 State Rt. 226, P.O. Box 38  
 Big Prairie, OH 44611-0038 USA  
 Telephone: 330-496-3211  
 Fax: 330-496-3097  
 Email: [sealand@dometicusa.com](mailto:sealand@dometicusa.com)

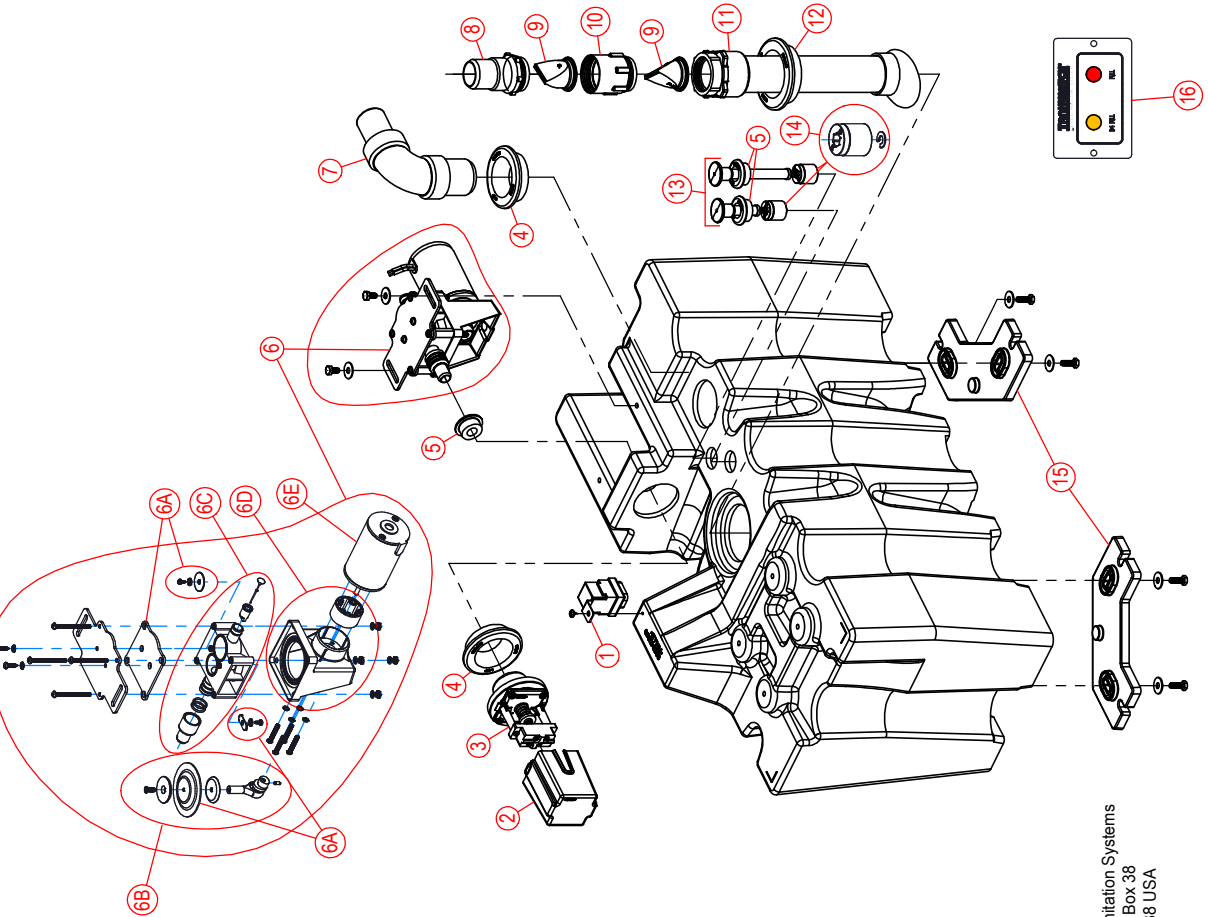
## PARTS LIST: VACUUM HOLDING TANK MODEL - 317769212

ITEM	PART NO.	DESCRIPTION	ITEM	PART NO.	DESCRIPTION
1	385311420	KIT, SNAP-ON VAC SW'CH CVR-BLK	10	385311103	KIT, SWITCH FLOAT & LOCK RING
2	385310635	KIT, INLET ELBOW-UNISEAL (INC 3)	11	385311164	KIT, SEALING GROMMET 1/2"
3	385311111	KIT, SEALING GROMMET 1-1/2"	12	385311774	KIT, RELAY SPDT 12V VF4
4	385311436	KIT, VACUUM SWITCH (INC 3)	13	385310631	KIT, CONNECTING ROD-AIR PUMP
5	385311069	KIT, THR'D ELBOW W/HOSE ADAPT	14	385311040	KIT, VHT AP VALVE REP'L
6	385311110	KIT, SEALING GROMMET 2"	15	385311440	KIT, VT4500 AIRPUMP ASSY (INC 14)
7	385310076	KIT, DB VALVE 1-1/2"-BLACK (2)	16	385310664	KIT, MOTOR-VHT
8	385311421	KIT, DIPTUBE W/SWIVEL NUT	17	385310642	KIT, VHT AIR PUMP-COMP (INC 13,14,15,16)
9	385310629	KIT, FULL INDICATOR-VHT (INC 11)	18	385310675	KIT, 3/4 LEVEL INDICATOR-VHT (INC 11)



Dometic Corporation - Sanitation Systems  
13128 State Rt. 226, P.O. Box 38  
Big Prairie, OH 44611-0038 USA  
Telephone: 330-496-3211  
Fax: 330-496-3097  
Email: sealand@dometicusa.com

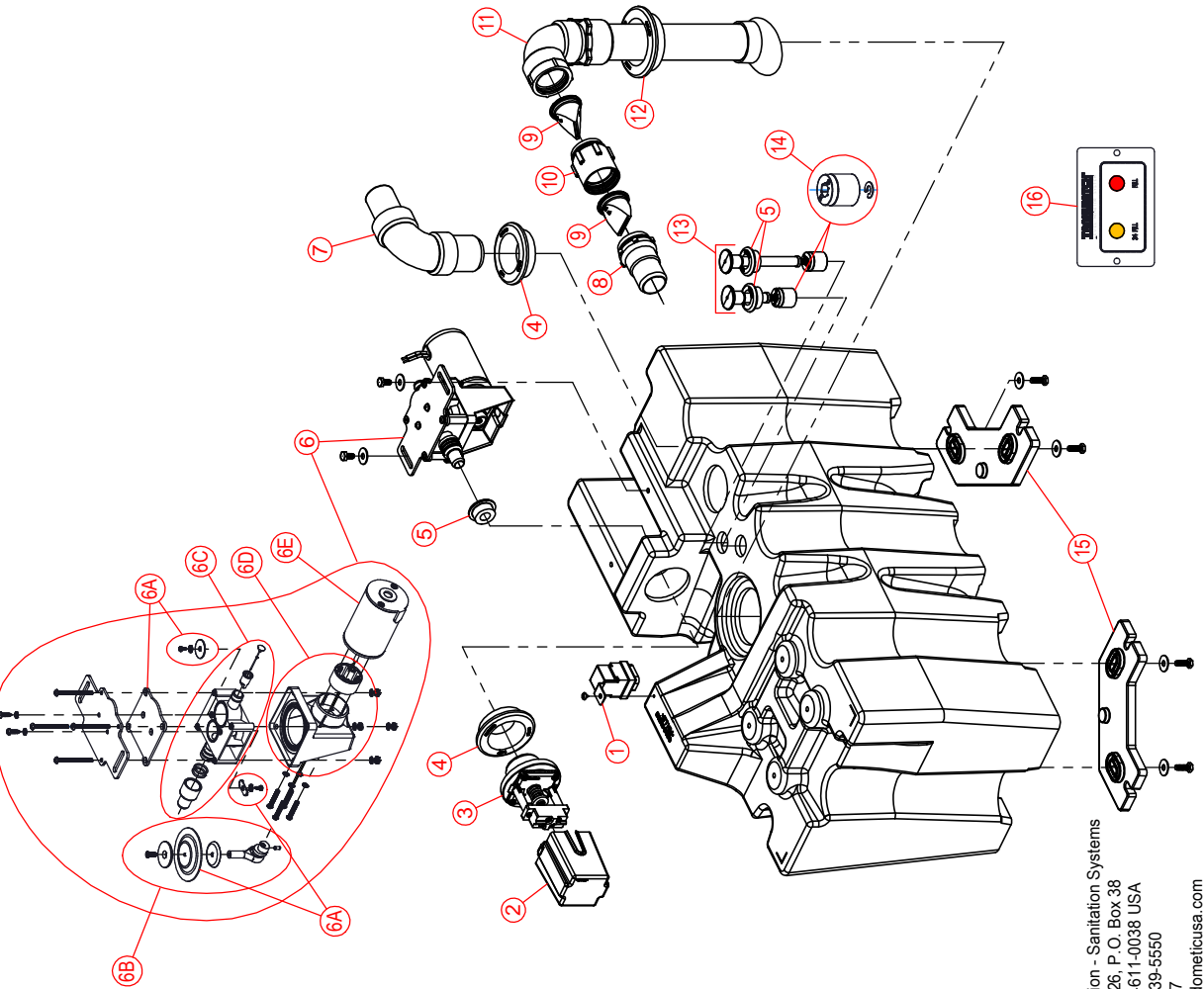
# PARTS LIST: VHT4501 - 317704501



ITEM	PART NUMBER & DESCRIPTION
1	385310842 - SHUTDOWN RELAY ASSY (12vdc)
2	385311420 - VACCUUM SWITCH COVER (BLACK)
3	385311436 - VACUUM SWITCH ASSEMBLY **Includes Item 4.
4	385311111 - 1-1/2" SEALING GROMMET
5	385311164 - 1/2" SEALING GROMMET
6	385311450 - AIR PUMP w/MOTOR (COMPLETE)
6A	385311040 - AIR PUMP VALVE REPLACEMENT KIT
6B	385311442 - ECCENTRIC KIT
6C	385311440 - AIR PUMP BODY REPLACEMENT KIT **Includes Item 6A.
6D	385311438 - MOTOR MOUNTING ASSEMBLY **Includes Items 4B & 4E.
6E	385311439 - MOTOR REPLACEMENT KIT
7	385310635 - 1-1/2" INLET ELBOW FITTING **Includes Item 4.
8	385311315 - 1-1/2" PUMP OUTLET FITTING
9	385310076 - 1-1/2" CHECK VALVE KIT **2pcs per Kit.
10	385311316 - 1-1/2" CHECK VALVE ADAPTER FITTING
11	385311441 - VHT4500 DISCHARGE ASSY FITTING **Includes Item 12.
12	385311110 - 2" SEALING GROMMET
13	385312061 - TANK LEVELS - 3-QTR/FULL SLIP TERMINAL **Includes Item 5.
14	385311103 - TANK LEVEL FLOAT & LOCK RING
15	385311437 - TANK MOUNTING BRACKET **1 per Kit; Includes Mounting Hardware.
16	385311443 - 3-QTR/FULL TANK LEVEL PANEL & HARNESS

Dometic Corporation - Sanitation Systems  
13128 Slate Rt, 226, P.O. Box 38  
Big Prairie, OH 44611-0038 USA  
Telephone: 330-439-5550  
Fax: 330-496-3097  
Email: sealand@dometicusa.com

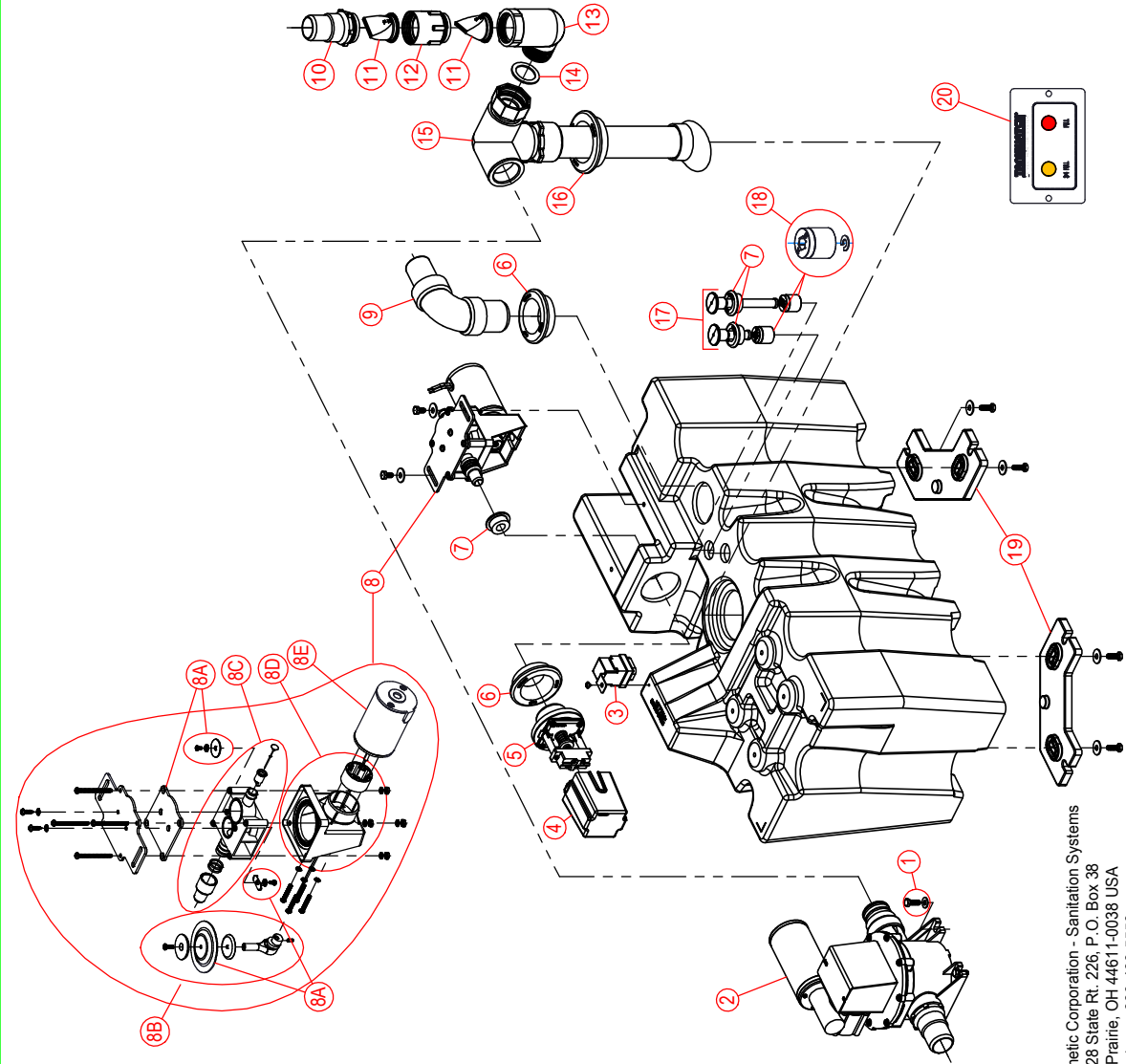
# PARTS LIST: VHT4502 - 317704502



ITEM	PART NUMBER & DESCRIPTION
1	385310842 - SHUTDOWN RELAY ASSY (12vdc)
2	385311420 - VACCUUM SWITCH COVER (BLACK)
3	385311436 - VACUUM SWITCH ASSEMBLY **Includes Item 4.
4	385311111 - 1-1/2" SEALING GROMMET
5	385311164 - 1/2" SEALING GROMMET
6	385311450 - AIR PUMP w/MOTOR (COMPLETE)
6A	385311040 - AIR PUMP VALVE REPLACEMENT KIT
6B	385311442 - ECCENTRIC KIT
6C	385311440 - AIR PUMP BODY REPLACEMENT KIT **Includes Item 6A.
6D	385311438 - MOTOR MOUNTING ASSEMBLY **Includes Items 4B & 4E.
6E	385311439 - MOTOR REPLACEMENT KIT
7	385310635 - 1-1/2" INLET ELBOW FITTING **Includes Item 4.
8	385311315 - 1-1/2" PUMP OUTLET FITTING
9	385310076 - 1-1/2" CHECK VALVE KIT **2pcs per Kit.
10	385311316 - 1-1/2" CHECK VALVE ADAPTER FITTING
11	385311435 - VHT4500 90° DISCHARGE ASSY FITTING **Includes Item 12.
12	385311110 - 2" SEALING GROMMET
13	385312061 - TANK LEVELS - 3-QTR/FULL SLIP TERMINAL **Includes Item 5.
14	385311103 - TANK LEVEL FLOAT & LOCK RING
15	385311437 - TANK MOUNTING BRACKET **1 per Kit; Includes Mounting Hardware.
16	385311443 - 3-QTR/FULL TANK LEVEL PANEL & HARNESS

Dometic Corporation - Sanitation Systems  
13128 State Rt. 226, P.O. Box 38  
Big Prairie, OH 44611-0038 USA  
Telephone: 330-439-5550  
Fax: 330-496-3097  
Email: [sealand@dometicusa.com](mailto:sealand@dometicusa.com)

# PARTS LIST: VHT4511 - 317704511

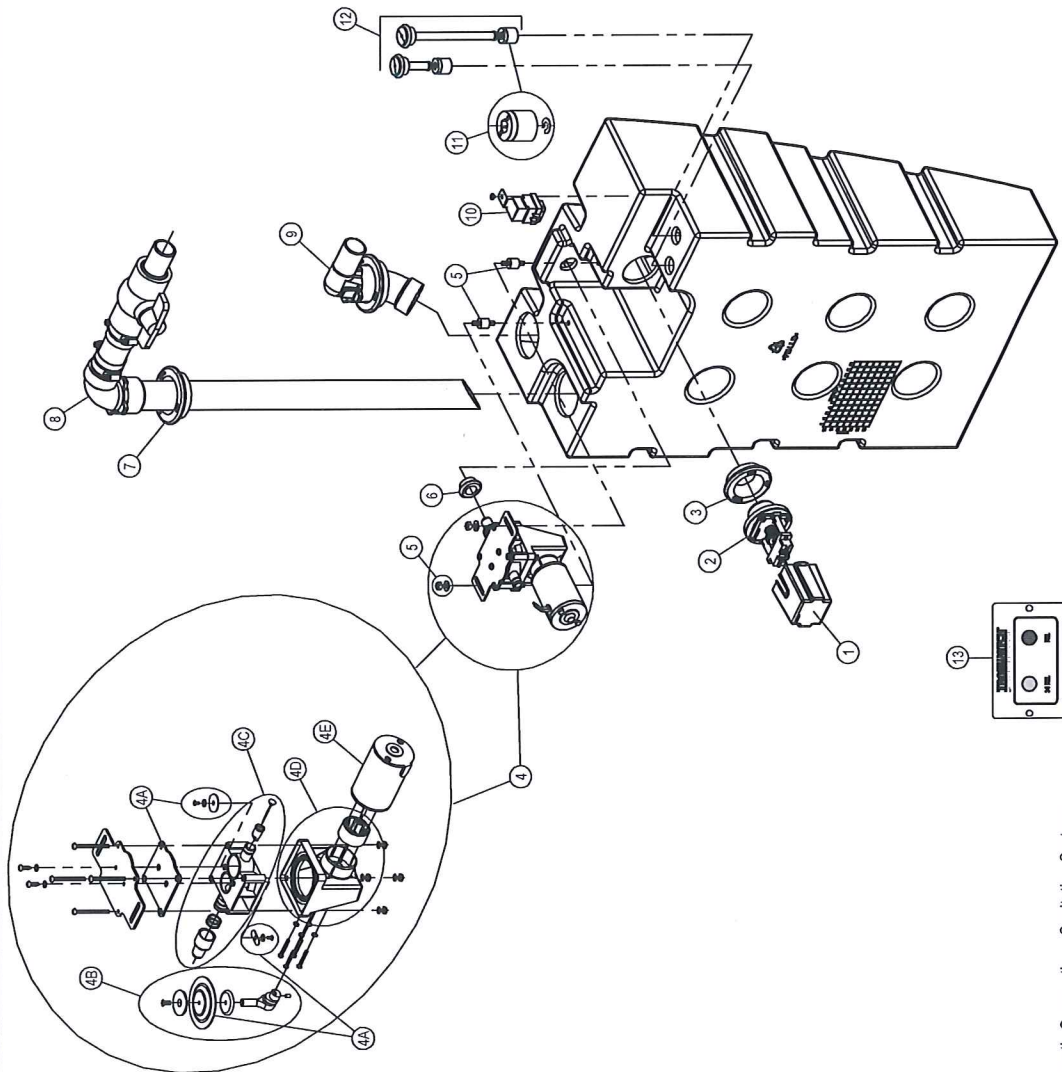


ITEM	PART NUMBER & DESCRIPTION
1	385311163 - PUMP MOUNTING HARDWARE
2	N/A - DISCHARGE PUMP **See Discharge Pump Parts List.
3	385310842 - SHUTDOWN RELAY ASSY (12vdc)
4	385311420 - VACCUUM SWITCH COVER (BLACK)
5	385311436 - VACUUM SWITCH ASSEMBLY **Includes Item 4.
6	385311111 - 1-1/2" SEALING GROMMET
7	385311164 - 1/2" SEALING GROMMET
8	385311450 - AIR PUMP w/MOTOR (COMPLETE)
8A	385311040 - AIR PUMP VALVE REPLACEMENT KIT
8B	385311442 - ECCENTRIC KIT
8C	385311440 - AIR PUMP BODY REPLACEMENT KIT **Includes Item 6A.
8D	385311438 - MOTOR MOUNTING ASSEMBLY **Includes Items 4B & 4E.
8E	385311439 - MOTOR REPLACEMENT KIT
9	385310635 - 1-1/2" INLET ELBOW FITTING **Includes Item 4.
10	385311315 - 1-1/2" PUMP OUTLET FITTING
11	385310076 - 1-1/2" CHECK VALVE KIT **2pcs per Kit.
12	385311316 - 1-1/2" CHECK VALVE ADAPTER FITTING
13	385311455 - VHT4511 DISCHARGE ELBOW **Includes Item 14.
14	385311233 - 1-1/2" SLIP SEAL REPLACEMENT
15	385311444 - VHT4511 DISCHARGE ASSY FITTING **Includes Item 16.
16	385311110 - 2" SEALING GROMMET
17	385312061 - TANK LEVELS - 3-QTR/FULL SLIP TERMINAL **Includes Item 5.
18	385311103 - TANK LEVEL FLOAT & LOCK RING
19	385311437 - TANK MOUNTING BRACKET **1 per Kit; Includes Mounting Hardware.
20	385311443 - 3-QTR/FULL TANK LEVEL PANEL & HARNESS

Dometic Corporation - Sanitation Systems  
13128 State Rt. 226, P.O. Box 38  
Big Prairie, OH 44611-0038 USA  
Telephone: 330-439-5550  
Fax: 330-496-3097  
Email: sealand@dometicusa.com



PARTS LIST: VHT 5200 - 317705200

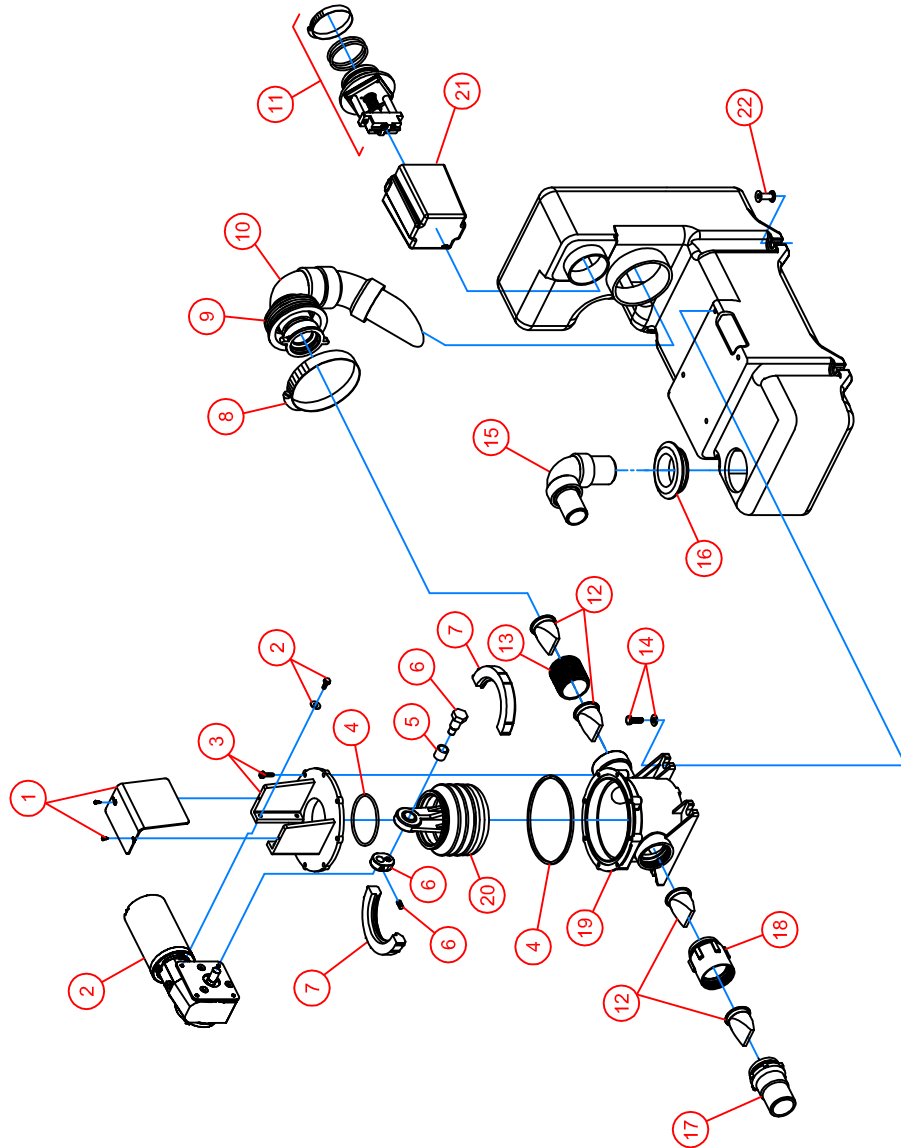


ITEM	PART NUMBER & DESCRIPTION
1	385311420 - VACUUM SWITCH COVER (BLACK)
2	385311436 - VACUUM SWITCH ASSEMBLY **Includes Item #3.
3	385311111 - 1-1/2" SEALING GROMMET
4	385311450 - KIT, AIRPUMP w/MOTOR (COMPLETE)
4A	385311040 - VALVE REPLACEMENT KIT
4B	385311442 - ECCENTRIC KIT
4C	385311440 - AIRPUMP BODY REPLACEMENT **Includes Item #4A
4D	385311438 - MOTOR MOUNTING ASSEMBLY **Includes Item #4E & #4B.
4E	385311439 - MOTOR REPLACEMENT KIT
5	385311795 - AIRPUMP MOUNTING HARDWARE
6	385311164 - 1/2" SEALING GROMMET
7	385311110 - 2" SEALING GROMMET
8	385311793 - DISCHARGE ASSEMBLY FITTING KIT **Includes Item #7.
9	385311794 - VHT 5200 INLET FITTING **Includes Item #7.
10	385310842 - SHUTDOWN RELAY ASSEMBLY (12VDC)
11	385311103 - TANK LEVEL FLOAT & LOCK RING
12	385311832 - TANK LEVEL KIT VHT5200 w/DT CONNECTOR **Includes Item #6.
13	385311833 - KIT, 3/4 FULL PANEL w/DT CONNECTOR
NOT SHOWN	385311834 - VHT5200 TANK LEVEL HARNESS w/DT

Dometic Corporation - Sanitation Systems  
13128 State Rt. 226, P.O. Box 38  
Big Prairie, OH 44611-0038 USA  
Telephone: 330-439-5550  
Fax: 330-496-3097  
Email: sealand@dometicusa.com

# PARTS LIST: VACUUM GENERATOR II 12 & 24vdc SERIES

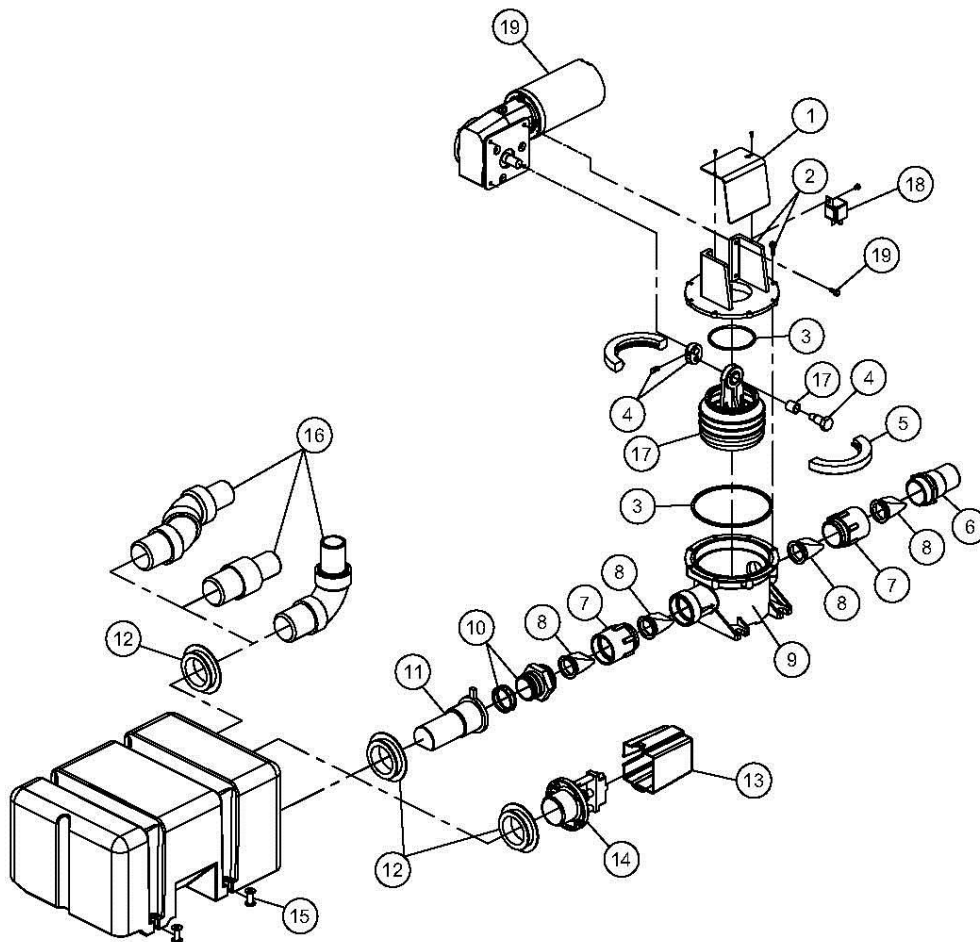
ITEM	PART NUMBER & DESCRIPTION
1	385311323 - MOTOR COVER KIT **Includes Mounting Screws
2	385311065 - 12vdc REPLACEMENT MOTOR 385311066 - 12vdc REPLACEMENT MOTOR **Includes Item 6.
3	385311324 - PUMP TOP CLOSURE KIT **Includes Mounting Screws
4	385310151 - PUMP REPLACEMENT O'RING KIT
5	385310242 - PUMP ECCENTRIC BUSHING KIT
6	385310644 - PUMP ECCENTRIC KIT **Includes Item 5.
7	385311226 - Pump Bellows Clamp Kit
8	385311846 - HOSE CLAMP - 3-3/4" DIA.
9	385311837 - O'RING, 3.000" X 3.250" X .125 **Bulk Kit; 10 per package.
10	385310539 - VGII DISCHARGE FITTING **Includes Item 9.
11	385310540 - VGII VACUUM SWITCH KIT **Includes O'rings & 2" Mounting Clamp.
12	385310076 - 1-1/2" CHECK VALVE KIT **2pcs per Package.
13	385311272 - 1-1/2" CLOSE NIPPLE FITTING
14	385311163 - PUMP MOUNTING HARDWARE
15	385310635 - 1-1/2" INLET ELBOW FITTING **Includes Item 16.
16	385311111 - 1-1/2" SEALING GROMMET
17	385311315 - 1-1/2" PUMP OUTLET FITTING
18	385311316 - 1-1/2" CHECK VALVE ADAPTER FITTING
19	385311844 - PUMP BODY REPLACEMENT
20	385230980 - BELLOWS ASSEMBLY REPLACEMENT KIT **Includes Item 5 & 6..
21	385311215 - VACUUM SWITCH COVER (WHITE)
22	385311318 - TANK MOUNTING SPINDLE KIT **4pcs per Package.
Not Shown 385310774 - COMPLETE VGII PUMP KIT - 12VDC 385310775 - COMPLETE VGII PUMP KIT - 24VDC	



Dometic Corporation - Sanitation Systems  
 13128 State Rt. 226, P.O. Box 38  
 Big Prairie, OH 44611-0038 USA  
 Telephone: 330-439-5550  
 Fax: 330-496-3097  
 Email: [sealand@dometicus.com](mailto:sealand@dometicus.com)

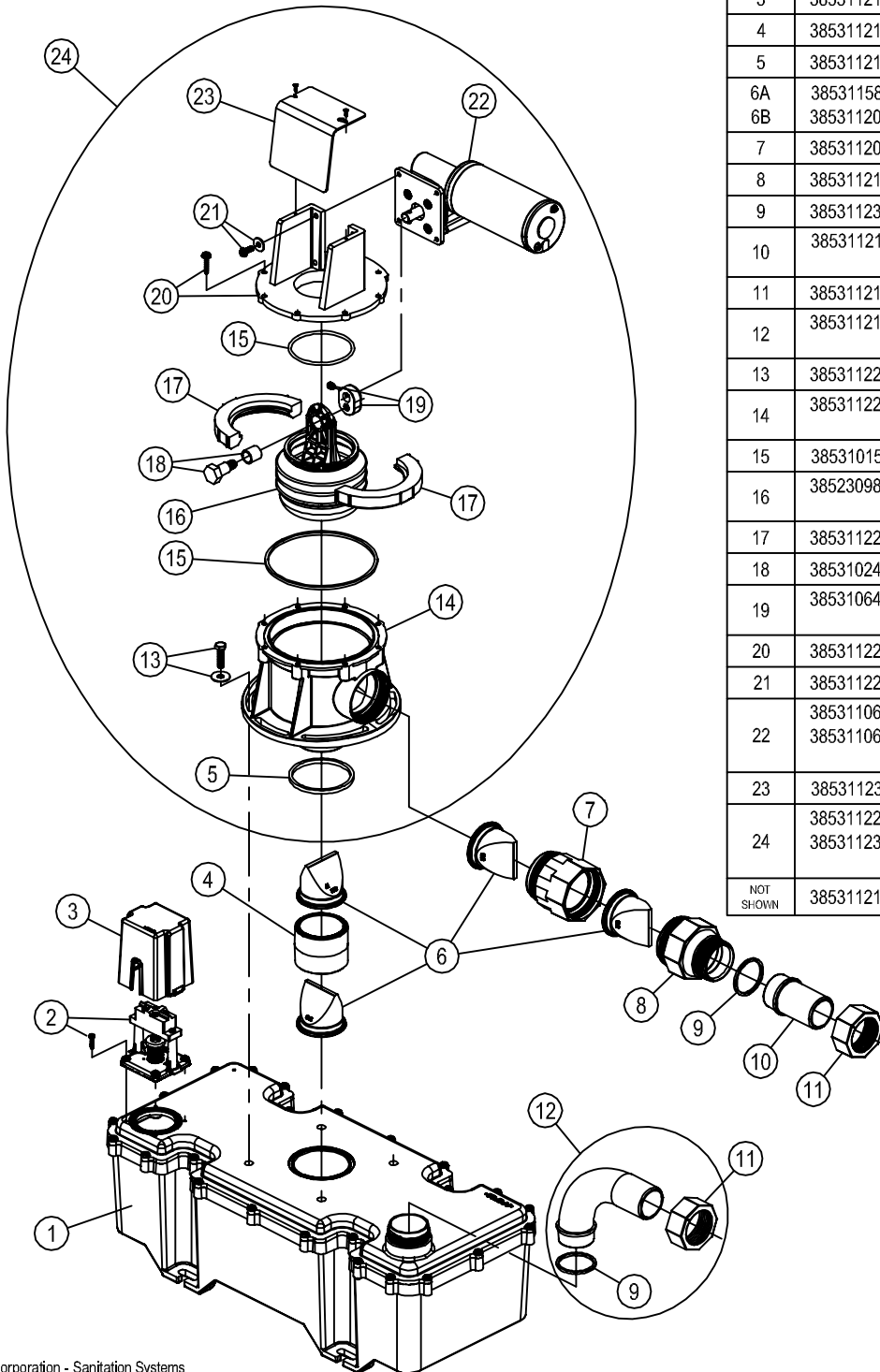
## PARTS LIST: VACUUM GENERATOR LOW PROFILE 12VDC & 24VDC

ITEM	PART NO.	DESCRIPTION	ITEM	PART NO.	DESCRIPTION
1	385311323	COVER, PUMP	13	385311215	VACUUM SWITCH COVER LOW PROFILE VG
2	385311324	KIT, SPUMP TOP CLOSE W/SCREWS	14	385311436	KIT, VACUUM SWITCH (inc. item 12)
3	385310151	O'RING REPLACEMENT KIT	15	385311318	KIT, TANK MTG SPINDLE
4	385310644	KIT, ECCENTRIC/SCREW-S/T PUMP	16	385310635	INLET ELBOW ASSEMBLY
5	385311226	CLAMP, BELLOWS S/T PUMP		385310690	STRAIGHT INLET ( optional )
6	385311315	KIT, NIPPLE-RH THREADS		385310787	45° INLET ELBOW (optional)
7	385311316	KIT, VALVE ADAPTER-RH THREADS	17	385230980	BELLOWS KIT (includes item 7)
8	385310076	KIT VALVE, CHECK DUCKBILL-S/T PUMP (2 EA)	18	600343053	RELAY, SPDT 12VDC 4/10 AMP VF4 (optional)
9	600341504	BODY,S-PUMP		600344239	RELAY, SPDT 24VDC 4/10 AMP VF4 (optional)
10	385311317	KIT, PUMP ADAPT TO DIPTUBE FIT	19	385311065	12VDC W MOTOR
11	385310754	KIT, DIP TUBE LOW PROFILE VG (INC. ITEM 12)		385311066	24VDC W MOTOR
12	385311111	1½" SEALING GROMMET	20	385310249	KIT, S PUMP W/O MOTOR
			N/S	385311100	KIT, LPVG SW-PUMP ASSY 24VDC
			N/S	385311595	KIT, LPVG-W-PUMP ASSY 12VDC



Dometic Corporation - Sanitation Systems  
13128 State Rt. 226, P.O. Box 38  
Big Prairie, OH 44611-0038 USA  
Telephone: 330-496-3211  
Fax: 330-496-3097  
Email: sealand@dometicusa.com

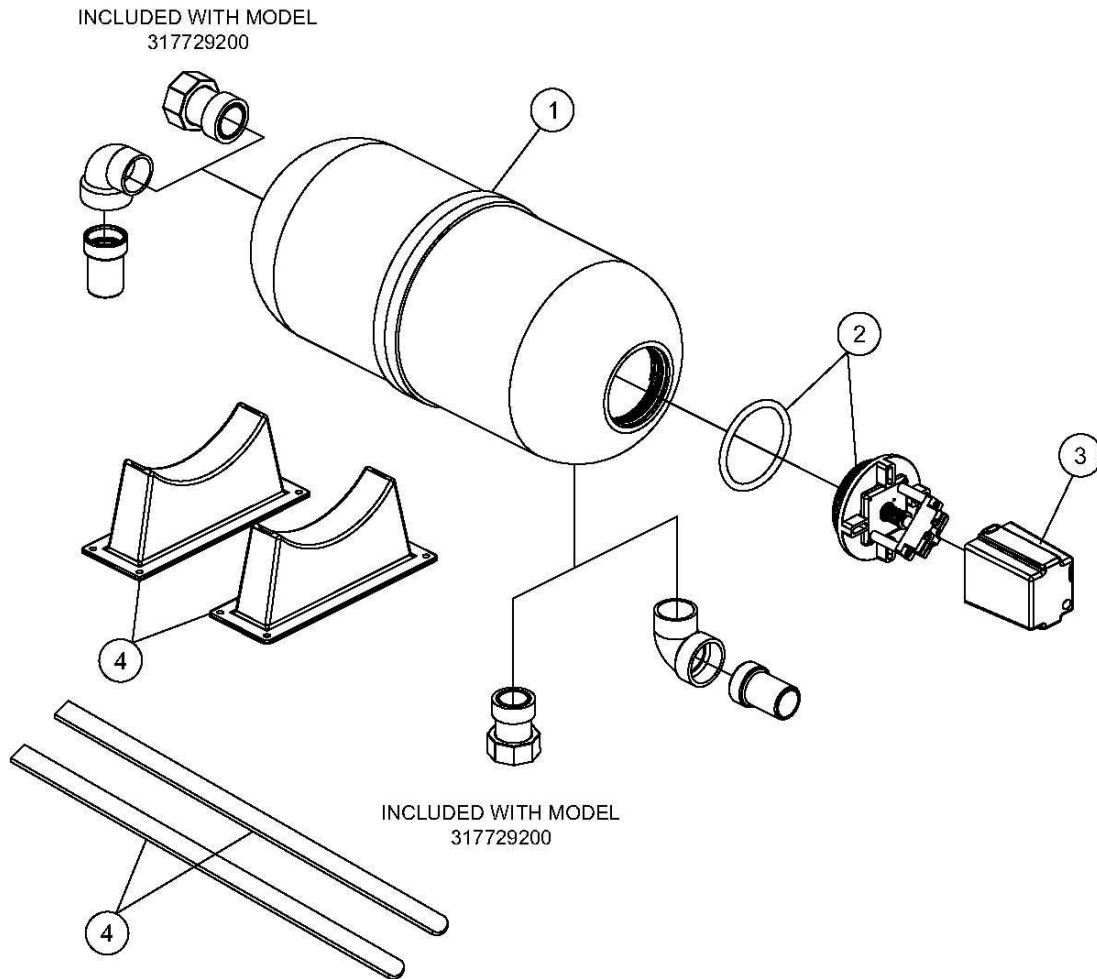
# PARTS LIST: VACUUM GENERATOR 4



ITEM	PART NUMBER & DESCRIPTION
1	385311217 VG4 TANK ASSEMBLY KIT
2	385311216 VACUUM SWITCH ASSEMBLY **INCLUDES ITEM 3.
3	385311215 VACUUM SWITCH COVER
4	385311214 VG4 DISCHARGE VALVE SPACER
5	385311213 PUMP TO TANK SEAL
6A	385311581 2" CHECK VALVE REPLACEMENT (4 PER KIT)
6B	385311208 2" CHECK VALVE REPLACEMENT (2 PER KIT)
7	385311209 2" CHECK VALVE ADAPTER
8	385311210 TRANSITION FITTING 2" TO 1-1/2"
9	385311238 FITTING SEAL
10	385311211 1-1/2" VG4 STRAIGHT HOSE FITTING **INCLUDES ITEMS 9 & 11.
11	385311212 1-1/2" SWIVEL NUT
12	385311218 1-1/2" VG4 90° ELBOW HOSE FITTING **INCLUDES ITEMS 9 & 11.
13	385311220 PUMP MOUNTING HARDWARE
14	385311227 PUMP BODY REPLACEMENT KIT **INCLUDES ITEM 5.
15	385310151 PUMP O'RING REPLACEMENT KIT
16	385230980 PUMP BELLOWS ASSEMBLY KIT **INCLUDES ITEM 18
17	385311226 PUMP BELLOWS CLAMP KIT
18	385310242 PUMP BELLOWS BUSHING/BOLT KIT
19	385310644 PUMP ECCENTRIC KIT **INCLUDES ITEMS 18.
20	385311225 PUMP TOP CLOSURE REPLACEMENT
21	385311224 PUMP MOTOR MOUNTING HARDWARE
22	385311065 W-SERIES MOTOR REPLACEMENT-12V 385311066 W-SERIES MOTOR REPLACEMENT-24V **INCLUDES ITEMS 18 & 19.
23	385311231 PUMP COVER REPLACEMENT KIT
24	385311229 J-SERIES PUMP REPLACEMENT - 12V 385311230 J-SERIES PUMP REPLACEMENT - 24V **INCLUDES ITEM 5-8 & 13-23.
NOT SHOWN	385311219 TANK SEAL

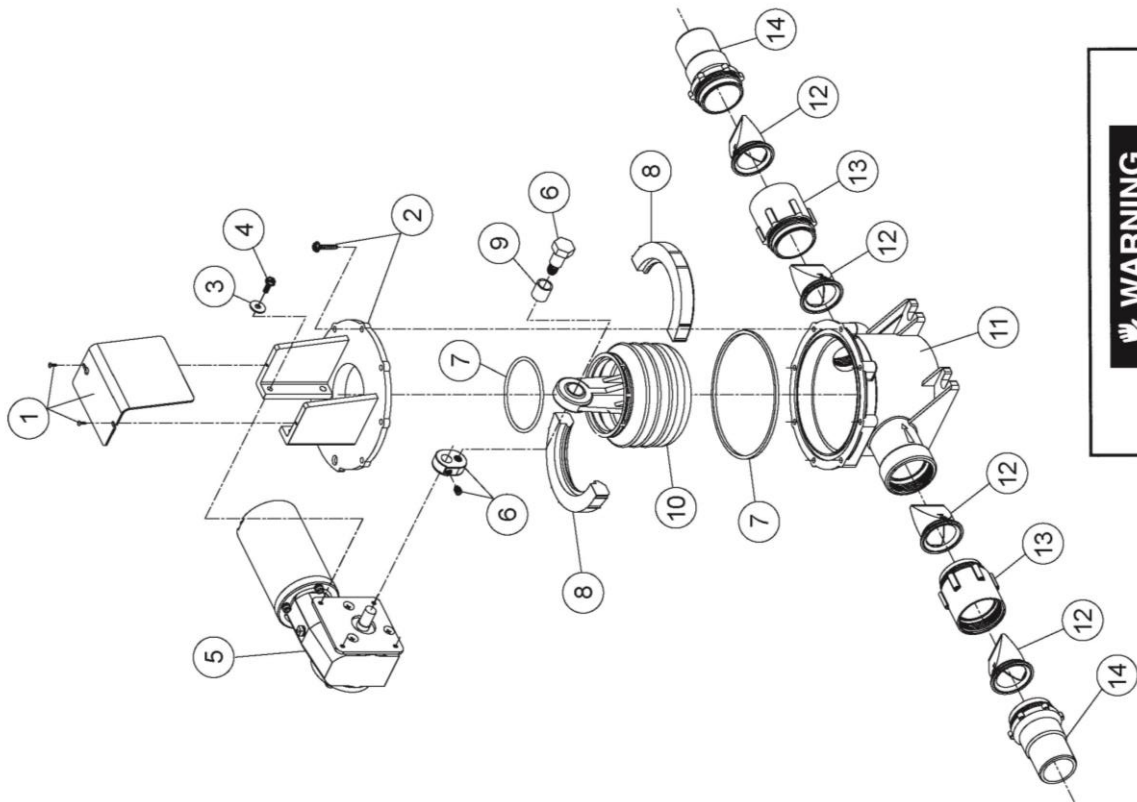
## PARTS LIST: MODEL 317729100 & 317729200

ITEM	PART NO.	DESCRIPTION
1	385310017	KIT, VACUUM TANK-REPLACEMENT
2	385318032	KIT, VACUUM TANK SWITCH
3	385311215	KIT, SNAP-ON VAC SW'CH CVR-WHT
4	385311659	KIT, VAC TK MTG BRKT (1 EACH)



Dometic Corporation - Sanitation Systems  
13128 State Rt. 226, P.O. Box 38  
Big Prairie, OH 44611-0038 USA  
Telephone: 330-496-3211  
Fax: 330-496-3097  
Email: sealand@dometicus.com

## S-Series Vacuum Pump



Item

1  
2  
3-4  
5  
6  
7  
8  
9  
10  
11  
12  
13  
14

Part No.

385640239  
385311225  
385311224  
385311065  
385311066  
385310644  
385310151  
385311226  
385310242  
385230980  
385311844  
385310076  
385311316  
385311315

Description

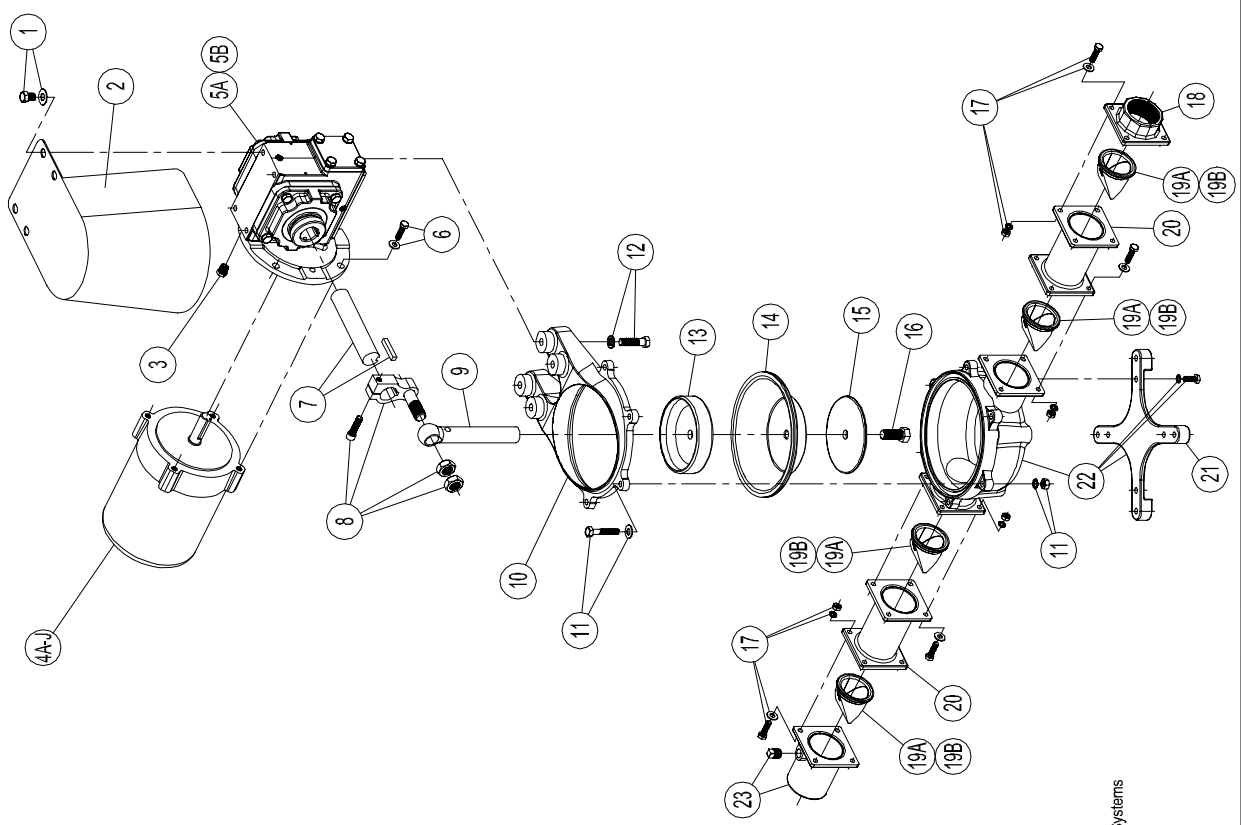
Pump Cover Kit  
Pump Top Kit (with screw fasteners)  
W Motor Mounting Hardware Kit  
W Motor Replacement Kit, 12 VDC  
W Motor Replacement Kit, 24 VDC  
Eccentric Kit (with fastener screw and bolt)  
O-Ring Replacement Kit  
Bellows Clamp Kit  
Bellows Bushing  
Bellows Assembly (includes item 9)  
Pump Body  
1½" Duckbill Valve Kit (2)  
Valve Adapter  
Valve Nipple

**Note:** When reassembling pump, tighten screws (included in item 2) to 20±2lbs., or until snug. Over-tightening will cause holes to strip.



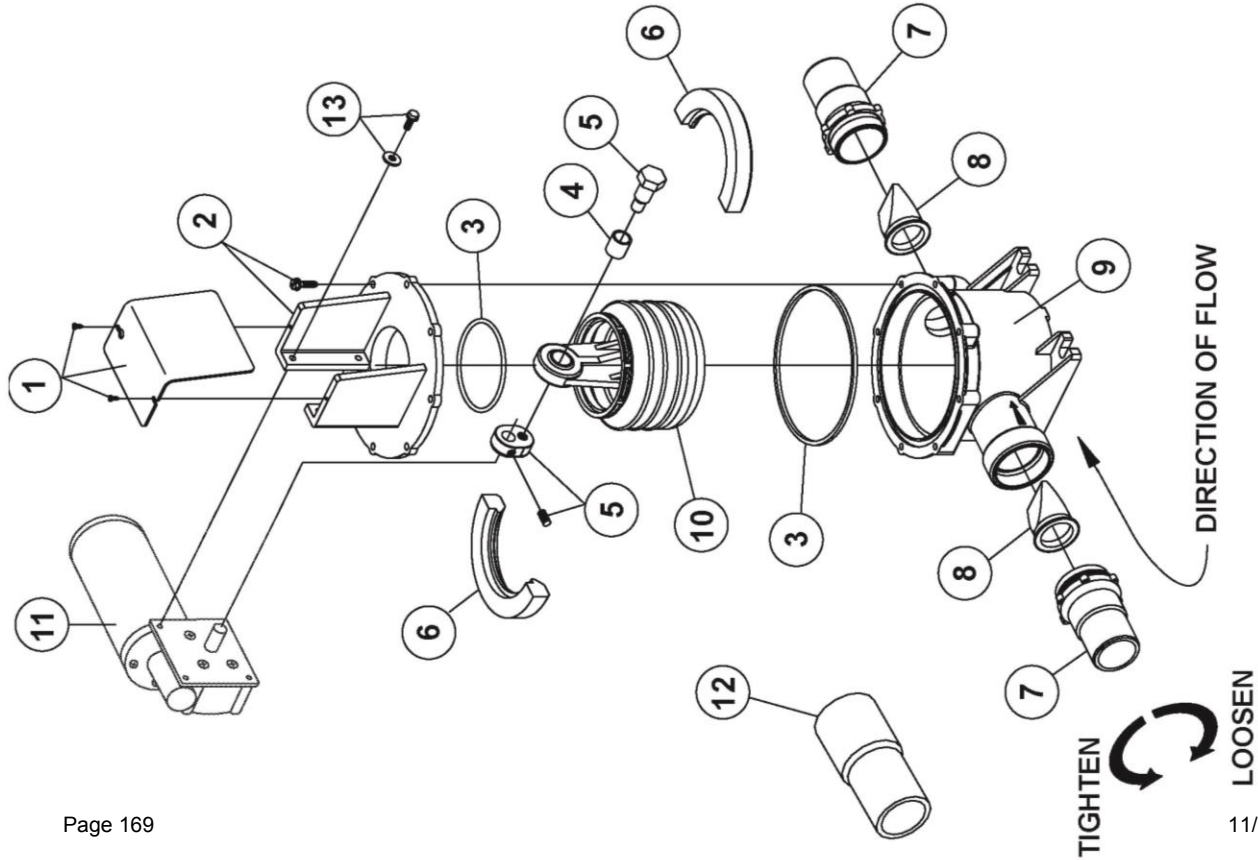
# PARTS LIST: M-PUMP MODELS

ITEM	PART NUMBER & DESCRIPTION
1	385311799 COVER MOUNTING HARDWARE
2	385311800 COVER **INCLUDES ITEM 1.
3	385311801 VENT
4A	385311802 MOTOR, 1/2 HP 115 VOLT 60HZ TEFC
4B	385311803 MOTOR, 1/2 HP 115 VOLT 50HZ TEFC
4C	385311804 MOTOR, 1/2 HP 115 VOLT 60HZ EX-PROOF
4D	385311805 MOTOR, 1/2 HP 115 VOLT 50HZ EX-PROOF
4E	385311806 MOTOR, 1/2 HP 12VDC
4F	385311807 MOTOR, 1/2 HP 24VDC
4G	385311808 MOTOR, 3/4 HP 115 VOLT 60HZ TEFC
4H	385311809 MOTOR, 3/4 HP 115 VOLT 50HZ TEFC
4I	385311810 MOTOR, 3/4 HP 115 VOLT 60HZ EX-PROOF
4J	385311811 MOTOR, 3/4 HP 115 VOLT 50HZ EX-PROOF
5A	385311812 GEAR REDUCER 20:1
5B	385311813 GEAR REDUCER 30:1
6	385311814 MOTOR MOUNTING HARDWARE
7	385311815 OUTPUT SHAFT & KEY
8	385311816 ECCENTRIC
9	385311817 CONNECTING ROD
10	385311818 TOP-CLOSURE
11	385311819 TOP-CLOSURE MOUNTING HARDWARE
12	385311820 GEAR REDUCER MOUNTING HARDWARE
13	385311821 UPPER DIAPHRAGM PLATE
14	385311822 DIAPHRAGM
15	385311823 LOWER DIAPHRAGM PLATE
16	385311824 CONNECTOR ROD SCREW
17	385311825 VALVE HOUSING MOUNTING HARDWARE
18	385311826 INLET FLANGE 1-1/2" FEMALE NPT
19A	385311581 CHECK VALVE - BLACK (4)
19B	385311582 CHECK VALVE - RED (4)
20	385311827 VALVE HOUSING
21	385311828 MOUNTING PLATE & HARDWARE
22	385311829 PUMP BODY & MOUNTING PLATE **INCLUDES ITEM HARDWARE.
23	385311830 OUTLET FLANGE 1-1/2" FEMALE NPT & PLUG



Domestic Corporation - Sanitation Systems  
13128 State Rt. 226, P.O. Box 38  
Big Prairie, OH 44611-0038 USA  
Telephone: 330-496-3211  
Fax: 330-496-3097  
Email: sealand@dometicusa.com

# TW-Series Discharge Pump

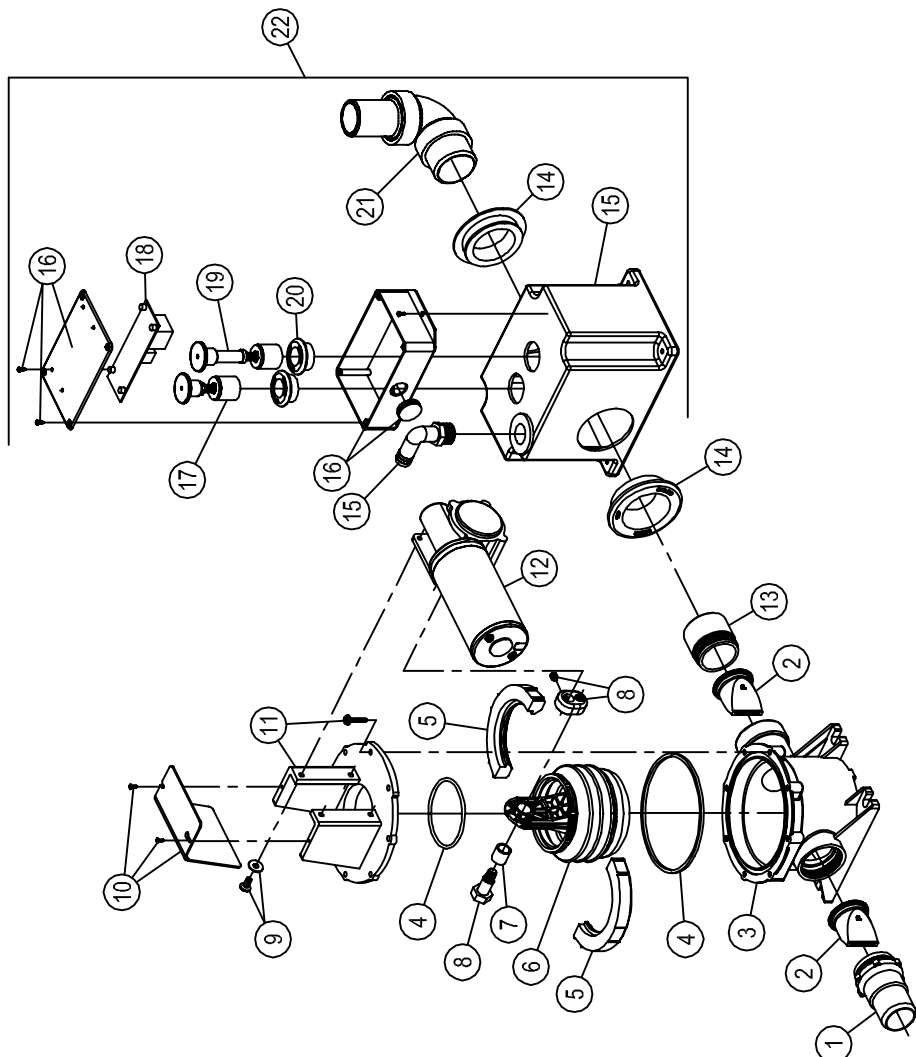


Item	Part No.	Description
1	385311422	Pump Cover Kit
2	385311225	Pump Top Closure Kit
3	385310151	O-Ring Replacement Kit
4	385310242	Bellows Bushing
5	385310644	Eccentric Kit
6	385311226	Bellows Clamp Kit
7	385311843	Valve Nipple
8	385310076	1.5" Duckbill Valve
9	385311858	Pump Body
10	385230980	Bellows Assembly (includes item 4)
11	385311065	12 VDC Motor (includes item 5)
12	385311066	24 VDC Motor (includes item 5)
13	307341113	1" x 1.5" Reducing Adapter (optional)
	385311224	Mounting Hardware Kit
		<b>Not Shown</b>
	385310250	Pump Assembly Less Motor (includes items 1-9)

P/N: 600340678  
REV: 2/17

# PARTS LIST: SANISUMP

ITEM	PART NUMBER & DESCRIPTION
1	385311843 VALVE NIPPLE
2	385310076 1-1/2" DUCKBILL VALVE
3	385311858 PUMP BODY
4	385310151 O-RING REPLACEMENT KIT
5	385311226 BELLOWS CLAMP KIT
6	385230980 BELLOWS ASSEMBLY **INCLUDES ITEM 7.
7	385310242 BELLOWS BUSHING
8	385310644 ECCENTRIC KIT
9	385311224 MOTOR MOUNTING HARDWARE
10	385311422 PUMP COVER KIT
11	385311225 PUMP TOP CLOSURE KIT
12	385310756 12VDC MOTOR
13	385340757 24VDC MOTOR
14	385640335 PUMP INLET FITTING
15	385311111 1-1/2" SEALING GROMMET
16	385310583 SANISUMP TANK MACHINED
17	385310650 SANISUMP ELECTRICAL ENCLOSURE
18	TANK FULL LEVEL **INCLUDES ITEM 20.
19	385310659 CIRCUITBOARD ASSEMBLY 12VDC
20	385310721 CIRCUITBOARD ASSEMBLY 24VDC
21	EMPTY TANK LEVEL **INCLUDES ITEM 20.
22	385311164 1/2" SEALING GROMMET
23	385311101 INLET ELBOW KIT **INCLUDES ITEM 14.
24	385310584 SANISUMP ASSY LESS PUMP 12VDC
25	385310649 SANISUMP ASSY LESS PUMP 24VDC

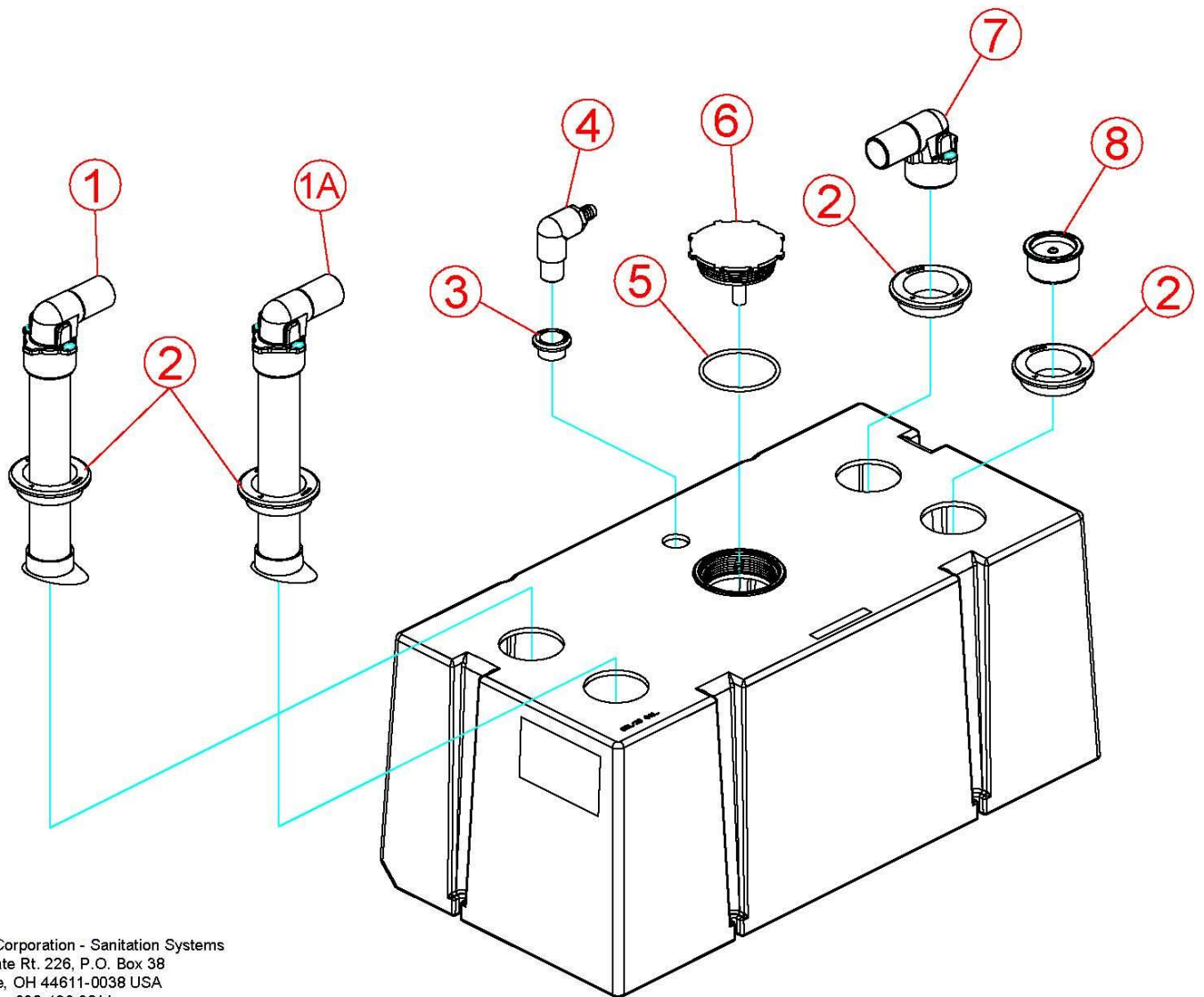


Dometic Corporation - Sanitation Systems  
13128 State Rt. 226, P.O. Box 38  
Big Prairie, OH 44611-0038 USA  
Telephone: 330-496-3211  
Fax: 330-496-3097  
Email: sealand@dometicusa.com

# PARTS LIST:

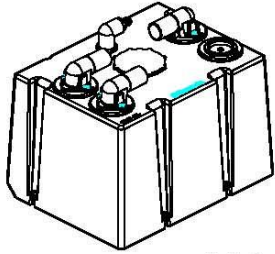
P/N: 600346052  
REV.: 11/08

322601101	HD TANK-EU 42L/11G W/CAP		
322601601	HD TANK-EU 61L/16G W/CAP		
322602301	HD TANK-EU 88L/23G W/CAP		
322602901	HD TANK-EU 110L/29G W/CAP		
322603601	HD TANK-EU 137L/36G W/CAP		
LITER	ITEM	PART NO.	DESCRIPTION
42 - 61 - 110	1	385311606	KIT, DIPTUBE/ELBOW/SEAL 9-5/8 (INC.2)
88L - 137L	1A	385311607	KIT, DIPTUBE/ELBOW/SEAL11-3/16 (INC.2)
ALL MODELS	2	385311110	KIT, SEALING GROMMET 2"
ALL MODELS	3	385311112	KIT, SEALING GROMMET 3/4"
ALL MODELS	4	385311073	KIT, VENT ELBOW-BARBED (INC. 3)
ALL MODELS	5	KIT, TW CAP ORING REPL	
ALL MODELS	6	385250020	KIT, 4010 TANK CAP/O'RING (INC. 5)
ALL MODELS	7	385311608	KIT, INLET ELBOW (1PC)(INC.2)
ALL MODELS	8	313255247	TANKSAVER 1-1/2" (INC. 2)

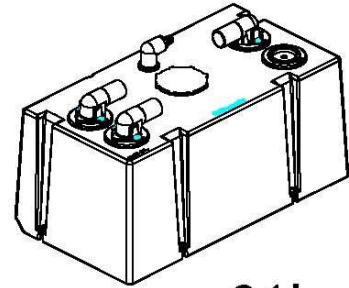


Dometic Corporation - Sanitation Systems  
13128 State Rt. 226, P.O. Box 38  
Big Prairie, OH 44611-0038 USA  
Telephone: 330-496-3211  
Fax: 330-496-3097  
Email: sealand@dometicusa.com

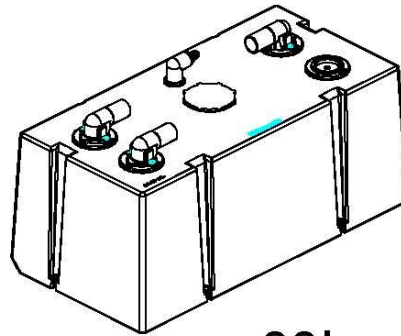
## MODELS



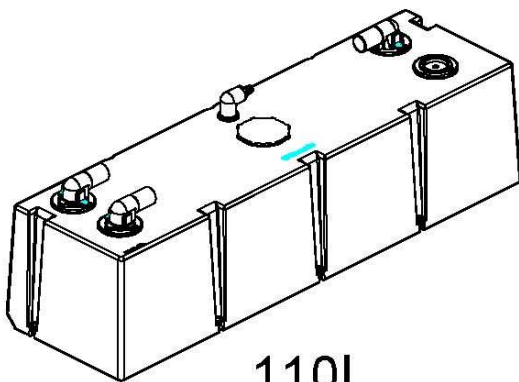
42L



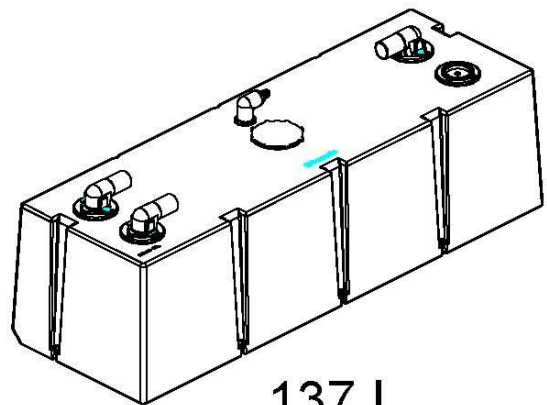
61L



88L



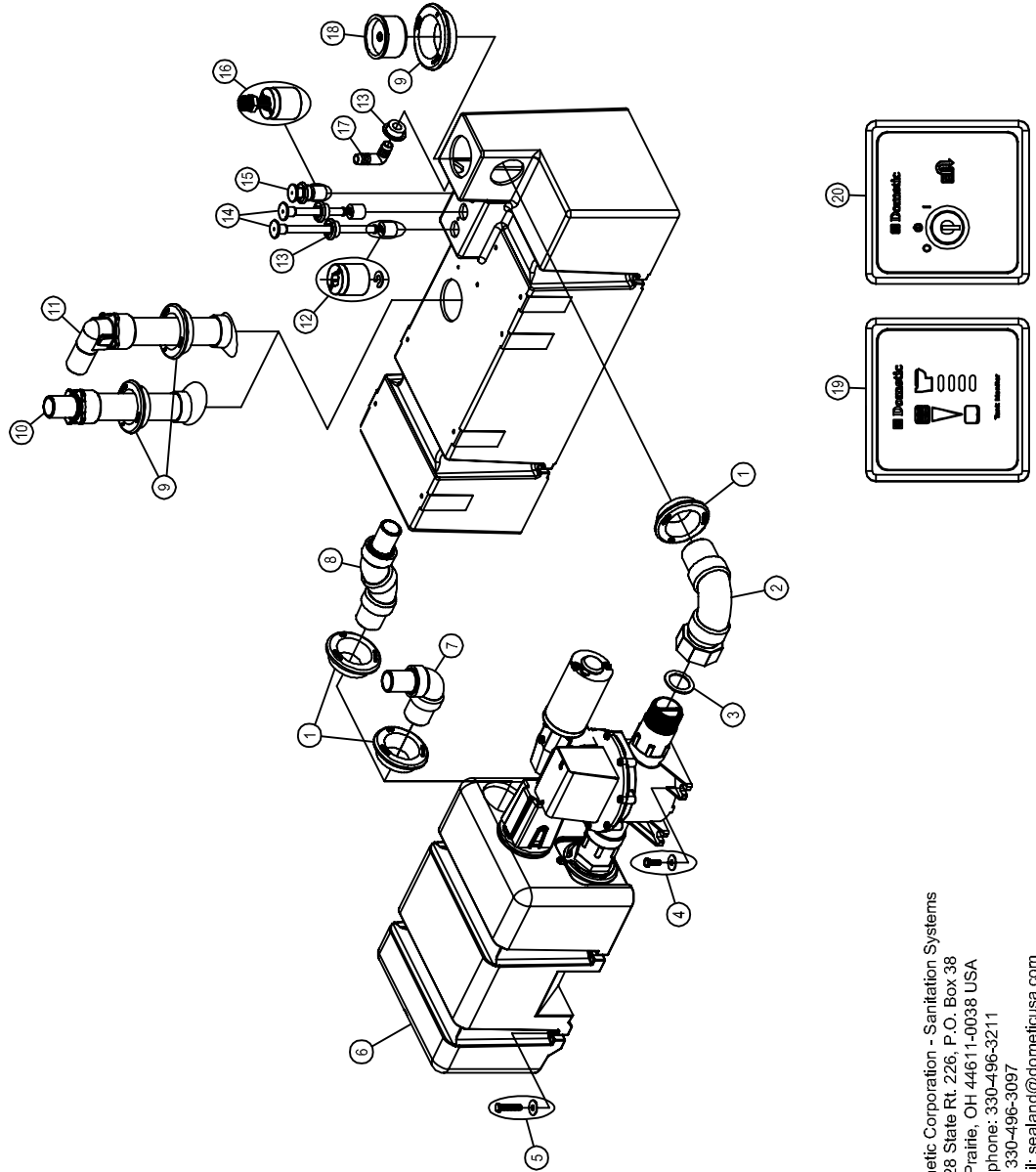
110L



137 L

**PARTS LIST: 10+ HOLDING TANK SYSTEM / 322711012; 319009001; 320101003; 322101012; 322101024**

ITEM	PART NUMBER & DESCRIPTION
1	385311111 1-1/2" SEALING GROMMET
2	385310772 VG HOLDING TANK INLET FITTING **INCLUDES ITEM 1 & 3.
3	385311233 1-1/2" SLIP SEAL REPLACEMENT
4	385311163 PUMP MOUNTING HARDWARE
5	385311162 VG MOUNTING HARDWARE
6	N/A LOW-PROFILE VACUUM GENERATOR **SEE LPVG PARTS LIST.
7	385310708 INLET ELBOW FITTING **INCLUDES ITEM 1.
8	385310787 OFFSET INLET FITTING **INCLUDES ITEM 1.
9	385311110 2" SEALING GROMMET
10	385311584 STRAIGHT DIPTUBE ASSEMBLY **INCLUDES ITEM 9.
11	385311573 90° ELBOW DIPTUBE ASSEMBLY **INCLUDES ITEM 9.
12	385311103 TANK LEVEL FLOAT & LOCK RING
13	385311164 1/2" SEALING GROMMET
14	385311253 TANK LEVEL ADJUSTABLE - 12" **INCLUDES ITEM 13.
15	313900101 FULL TANK LEVEL **INCLUDES ITEM 13.
16	385230268 THREADED STEM/FLOAT REPLACEMENT
17	385311770 VENT ELBOW FITTING **INCLUDES ITEM 13.
18	313255247 TANKSAVER **INCLUDES ITEM 9.
19	385017001 DTM04 PNL w/RELAY & HARNESS **USED WITH MODEL 320101003 & 319009001. 313604402 DTM04 PNL w/RELAY - 12V (BLACK) **USED WITH MODEL 322101012.
20	313814101 DTD01 PNL MANUAL 12V - BLK

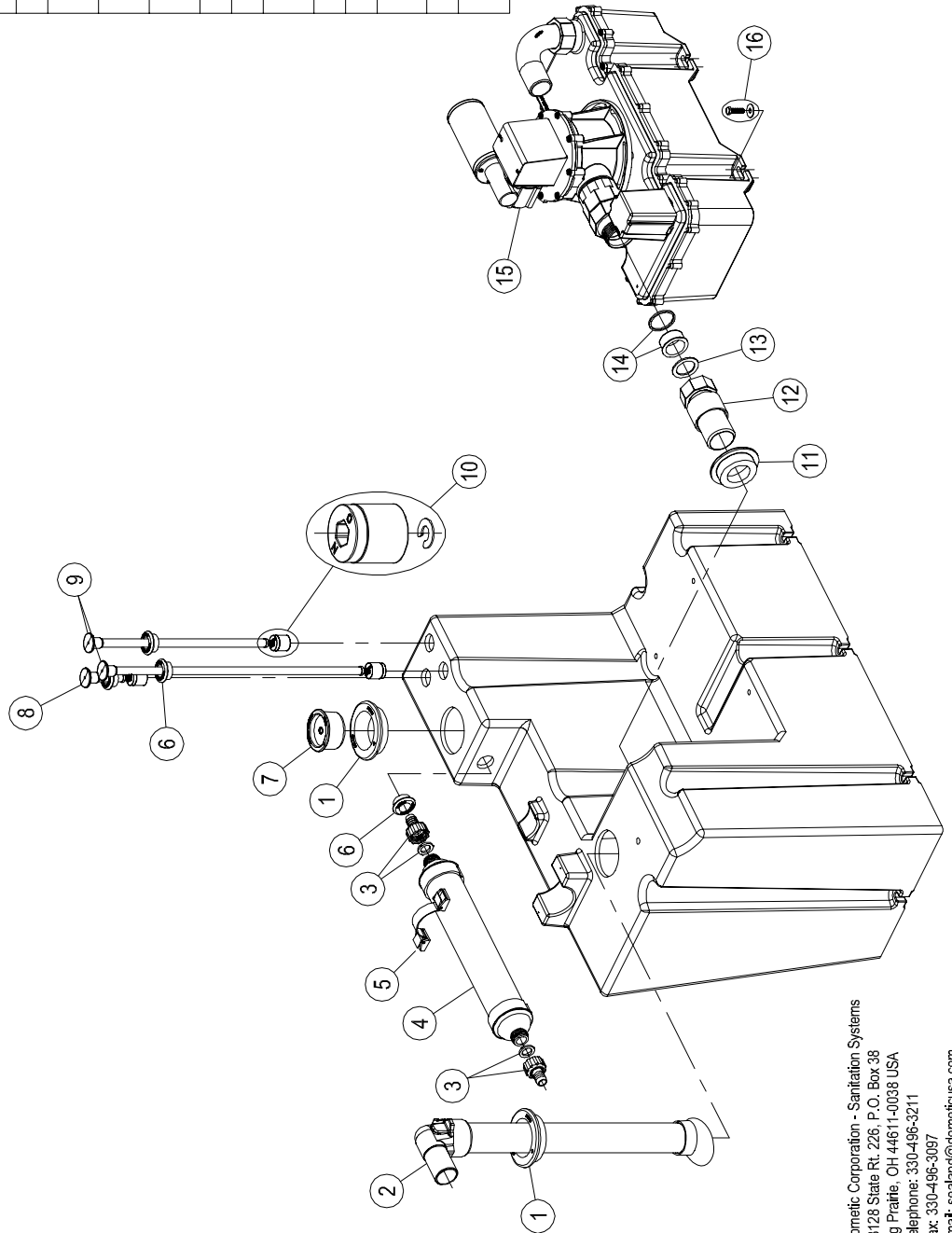


Dometic Corporation - Sanitation Systems  
13128 State Rt. 226, P.O. Box 38  
Big Prairie, OH 44611-0038 USA  
Telephone: 330-496-3211  
Fax: 330-496-3097  
E-mail: sealand@dometicusa.com



# PARTS LIST: 18 GALLON HOLDING TANK SYSTEM / 322711812; 322011824

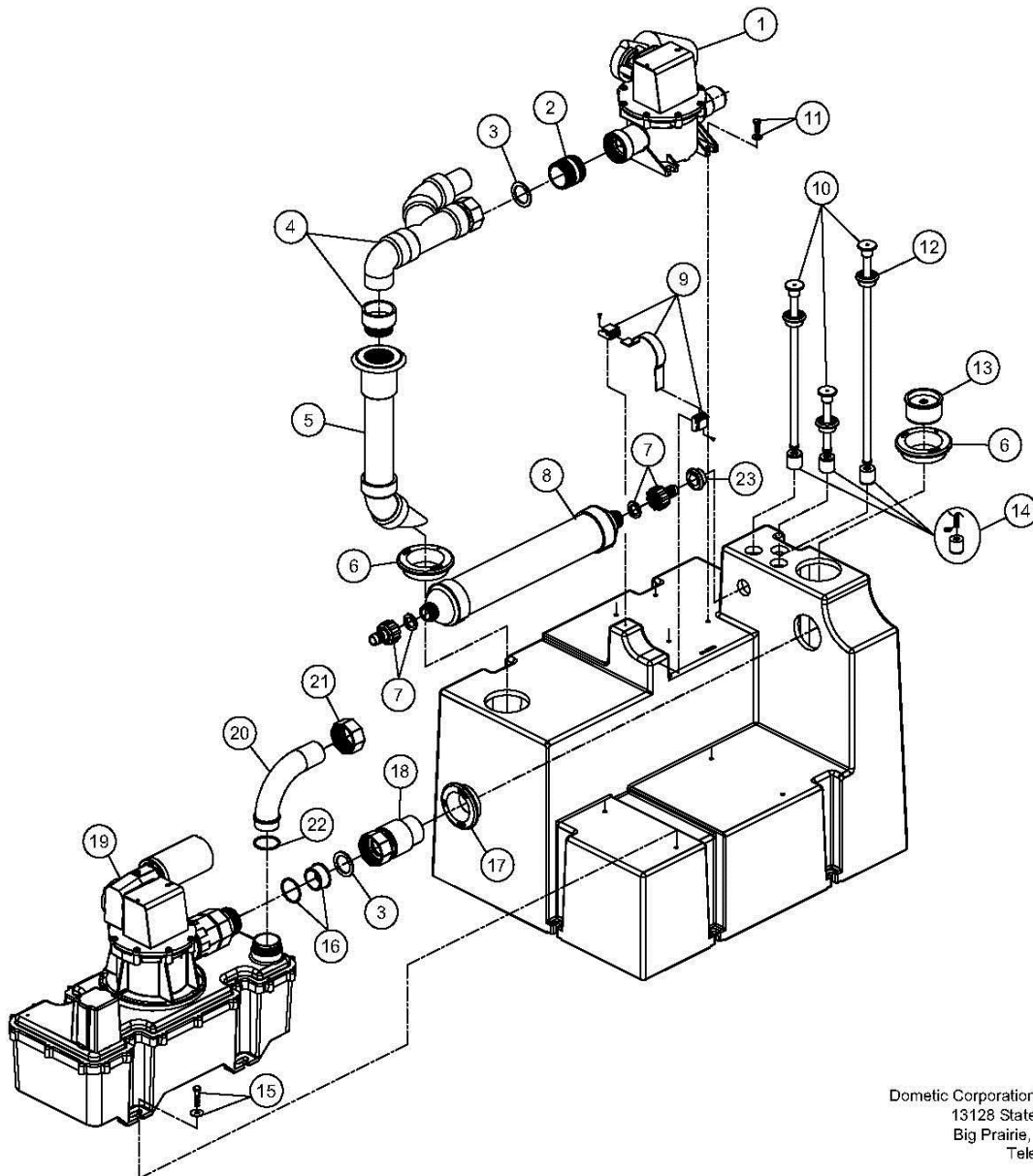
ITEM	PART NUMBER & DESCRIPTION
1	385311110 1-1/2" SEALING GROMMET
2	385311573 90° ELBOW DIPTUBE ASSEMBLY **INCLUDES ITEM 1.
3	385310135 VENT FILTER FITTINGS
4	309310001 VENT FILTER REPLACEMENT
5	385310673 VENT FILTER MOUNTING KIT
6	385311164 1/2" SEALING GROMMET
7	313256247 TANKSAVER **INCLUDES ITEM 1.
8	385311253 TANK LEVEL ADJUSTABLE 12" **INCLUDES ITEM 6.
9	385311254 TANK LEVEL ADJUSTABLE 24" **INCLUDES ITEM 6.
10	385311103 TANK LEVEL FLOAT & LOCK RING
11	385311111 1-1/2" SEALING GROMMET
12	385311236 VG4 HOLDING TANK INLET FITTING **INCLUDES ITEM 11 & 13.
13	385311233 1-1/2" SLIP SEAL REPLACEMENT
14	385311237 SLIP SEAL ADAPTER FITTING
15	N/A VACUUM GENERATOR 4 **SEE VG4 PARTS LIST.
16	385311275 VG4 MOUNTING HARDWARE
17	313604402 DTM04 w/SHUTDOWN RELAY - 12VDC 313604403 DTM04 w/SHUTDOWN RELAY - 24VDC



Domestic Corporation - Sanitation Systems  
13128 State Rt. 226, P.O. Box 38  
Big Prairie, OH 44611-0038 USA  
Telephone: 330-496-3211  
Fax: 330-496-3097  
Email: sealand@dometicusa.com

## PARTS LIST: 21 Gallon HTS 322702112 322702124

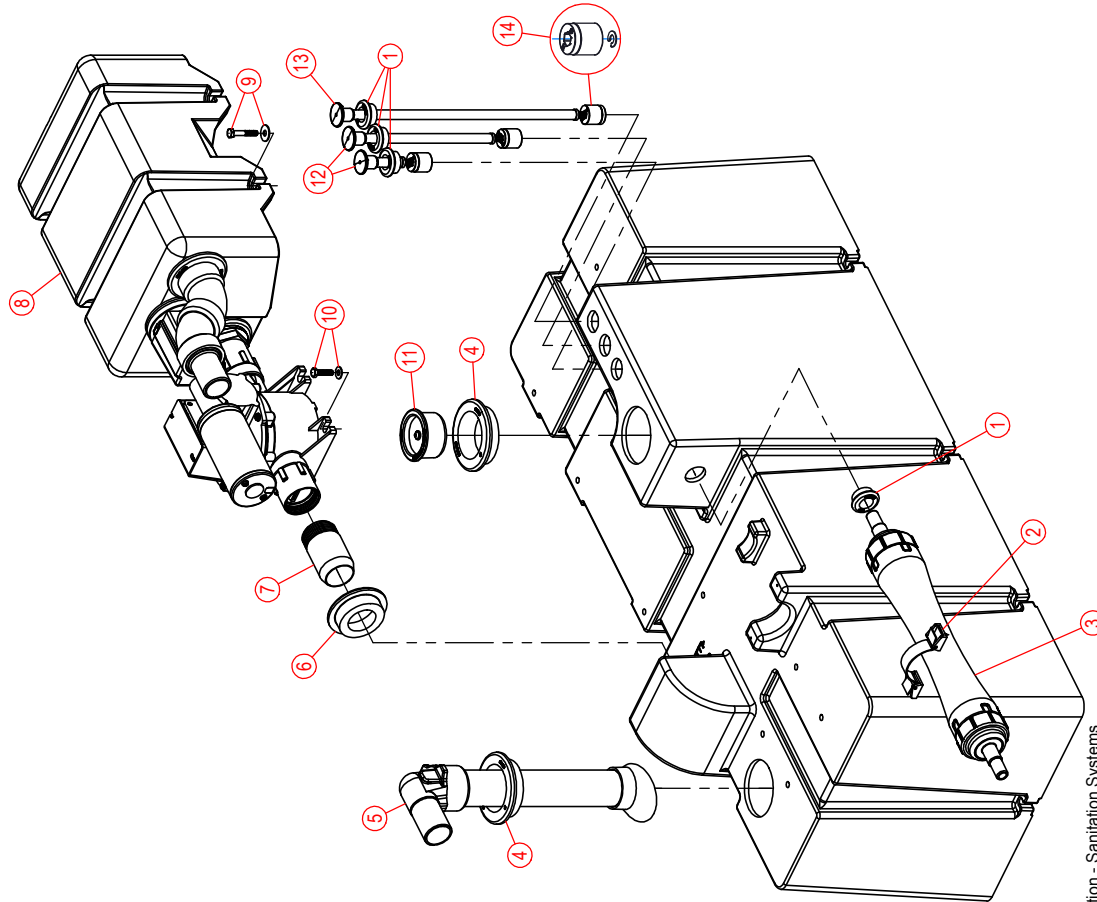
ITEM	PART NO.	DESCRIPTION	ITEM	PART NO.	DESCRIPTION
1	317301200	PUMP TW12	12	385311164	KIT, SEALING GROMMET 1/2"
	317302400	PUMP T24	13	313255247	1-1/2" TANKSAVER VALVE(inc. item 6)
2	385640370	KIT, LH/RH THREAD ADAPTER	14	385311103	KIT, SWITCH FLOAT & LOCK RING
3	385311233	KIT, SLIP SEAL 1-1/2" REPL	15	385311162	KIT, MTG HARDWARE VG TO HTS
4	385311232	KIT, DIPTUBE WYE FITTING 21HTS	16	385311237	KIT, SLIP SEAL ADAPTER-VG4
5	385310660	DIPTUBE (inc. item 6)	17	385311111	KIT, SEALING GROMMET 1-1/2"
6	385311110	KIT, SEALING GROMMET 2"	18	385311236	KIT, VG4 TO HD TANK FITTING
7	385310135	KIT, FILTER INSTALLATION	19	317780112	VG4/JQ12-STANDARD
8	309310001	HOLDING TANK REPL FILTER		317780024	VG4/JQ24-STANDARD
9	385310673	KIT, FILTER MOUNTING-HTS	20	385311218	KIT, EL HOSE FIT W/NUT-VG4(INC. 21 & 22)
10	385311235	KIT, LEVEL IN'D - 21HTS (includes item 12)	21	385311212	KIT, 1-1/2" SWIVEL NUT
11	385311163	KIT, MTG HARDWARE PUMP TO TANK	22	385311238	KIT, O'RING REPL-VG4 FITTINGS



Dometic Corporation - Sanitation Systems  
13128 State Rt. 226, P.O. Box 38  
Big Prairie, OH 44611-0038 USA  
Telephone: 330-496-3211  
Fax: 330-496-3097  
Email: sealand@dometicusa.com

## PARTS LIST: 27 GALLON HOLDING TANK SYSTEM - 322722712 & 322722724

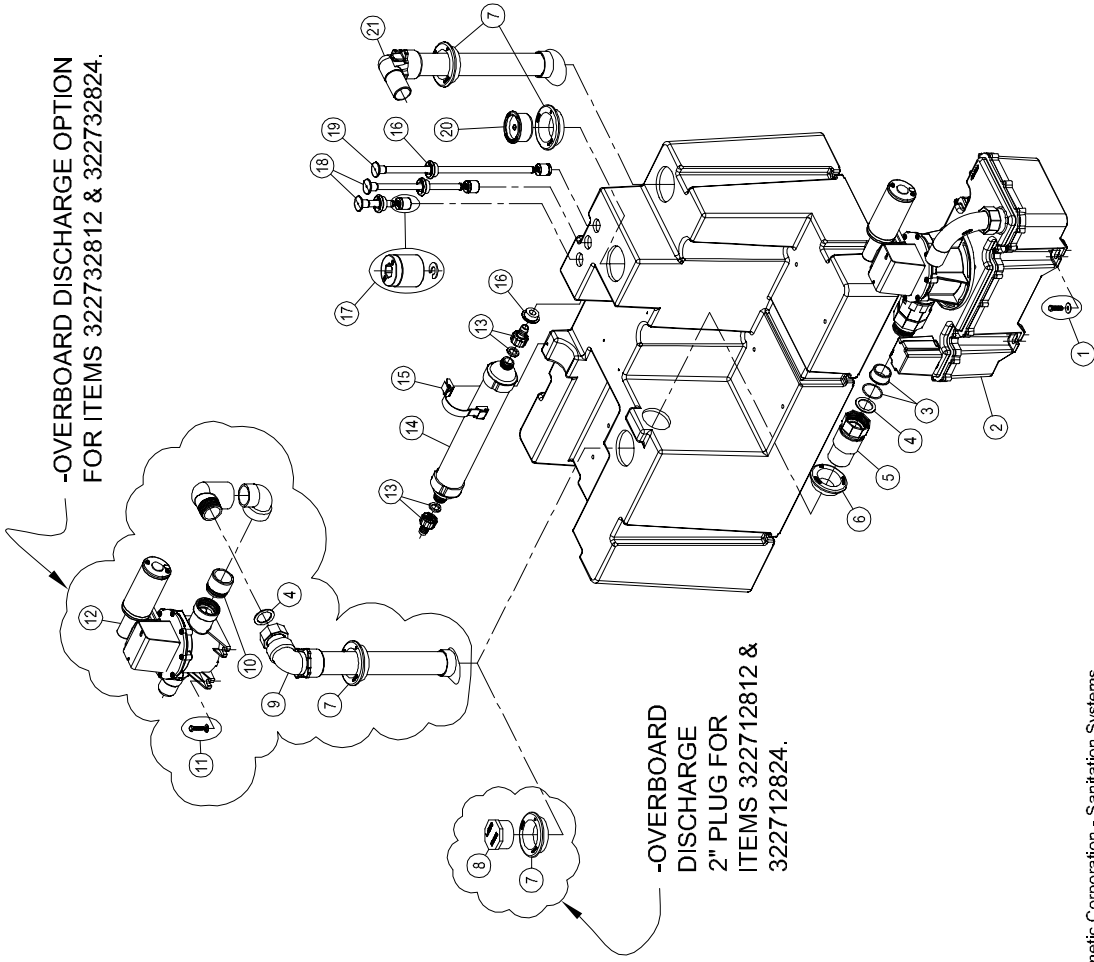
ITEM	PART NUMBER & DESCRIPTION
1	385311164 - 1/2" SEALING GROMMET
2	385310673 - VENT FILTER MOUNTING KIT
3	309311002 - VENT FILTER REPLACEMENT CARTRIDGE **Order Kit 385312060 for Replacement Fittings.
4	385311110 - 2" SEALING GROMMET
5	385311573 - DIPTUBE ASSY w/90° ELBOW **Includes Item 4.
6	385311111 - 1-1/2" SEALING GROMMET
7	385311367 - VG OUTLET EXTENSION
8	N/A - LOW-PROFILE VACUUM GENERATOR **See LPVG Parts List.
9	385311162 - VG MOUNTING HARDWARE
10	385311163 - PUMP MOUNTING HARDWARE
11	313255247 - TANKSAVER **Includes Item 4.
12	385311253 - ADJUSTABLE TANK LEVEL 12" **Includes Item 1.
13	385311254 - TANK LEVEL ADJUSTABLE 24" **Includes Item 1.
14	385311103 - TANK LEVEL FLOAT & LOCK RING



Dometic Corporation - Sanitation Systems  
 13128 State Rt. 226, P.O. Box 38  
 Big Prairie, OH 44611-0038 USA  
 Telephone: 330-439-5550  
 Fax: 330-496-3097  
 Email: [sealand@dometicus.com](mailto:sealand@dometicus.com)

# PARTS LIST: 28+ HOLDING TANK SYSTEM / 322712812; 322732812; 322732824

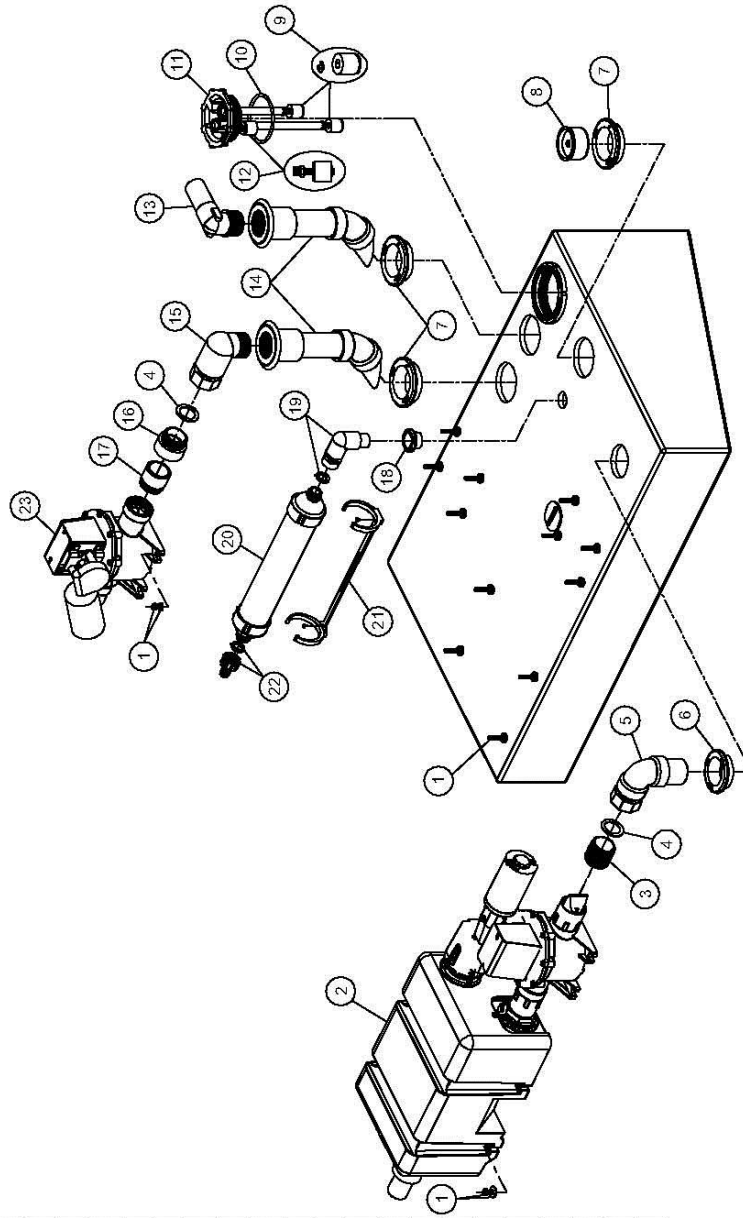
ITEM	PART NUMBER & DESCRIPTION
1	385311275 VG4 MOUNTING HARDWARE
2	N/A VACUUM GENERATOR 4
3	385311237 SLIP SEAL ADAPTER FITTING
4	385311233 1-1/2" SLIP SEAL REPLACEMENT
5	385311236 VG4 HOLDING TANK INLET FITTING **INCLUDES ITEM 4 & 6.
6	385311111 1-1/2" SEALING GROMMET
7	385311110 2" SEALING GROMMET
8	N/A 2" PLUG FITTING
9	385311577 ELBOW DIPTUBE w/SWIVEL NUT **INCLUDES ITEM 4 & 7.
10	385640335 PUMP INLET FITTING
11	385311163 PUMP MOUNTING HARDWARE
12	N/A DISCHARGE PUMP
13	385310135 VENT FILTER FITTINGS
14	309310001 VENT FILTER REPLACEMENT
15	385310673 VENT FILTER MOUNTING KIT
16	385311164 1/2" SEALING GROMMET
17	385311103 TANK LEVEL FLOAT & LOCK RING
18	385311253 TANK LEVELS ADJUSTABLE - 12" **INCLUDES ITEM 16.
19	385311254 TANK LEVELS ADJUSTABLE - 24" **INCLUDES ITEM 16.
20	313255247 TANKSAVER **INCLUDES ITEM 7.
21	385311573 90° ELBOW DIPTUBE ASSEMBLY **INCLUDES ITEM 7.



Dometic Corporation - Sanitation Systems  
13128 State Rt. 226, P.O. Box 38  
Big Prairie, OH 44611-0038 USA  
Telephone: 330-496-3211  
Fax: 330-496-3097  
Email: sealand@dometicusa.com

## PARTS LIST: MODEL 322722812 & 322722824

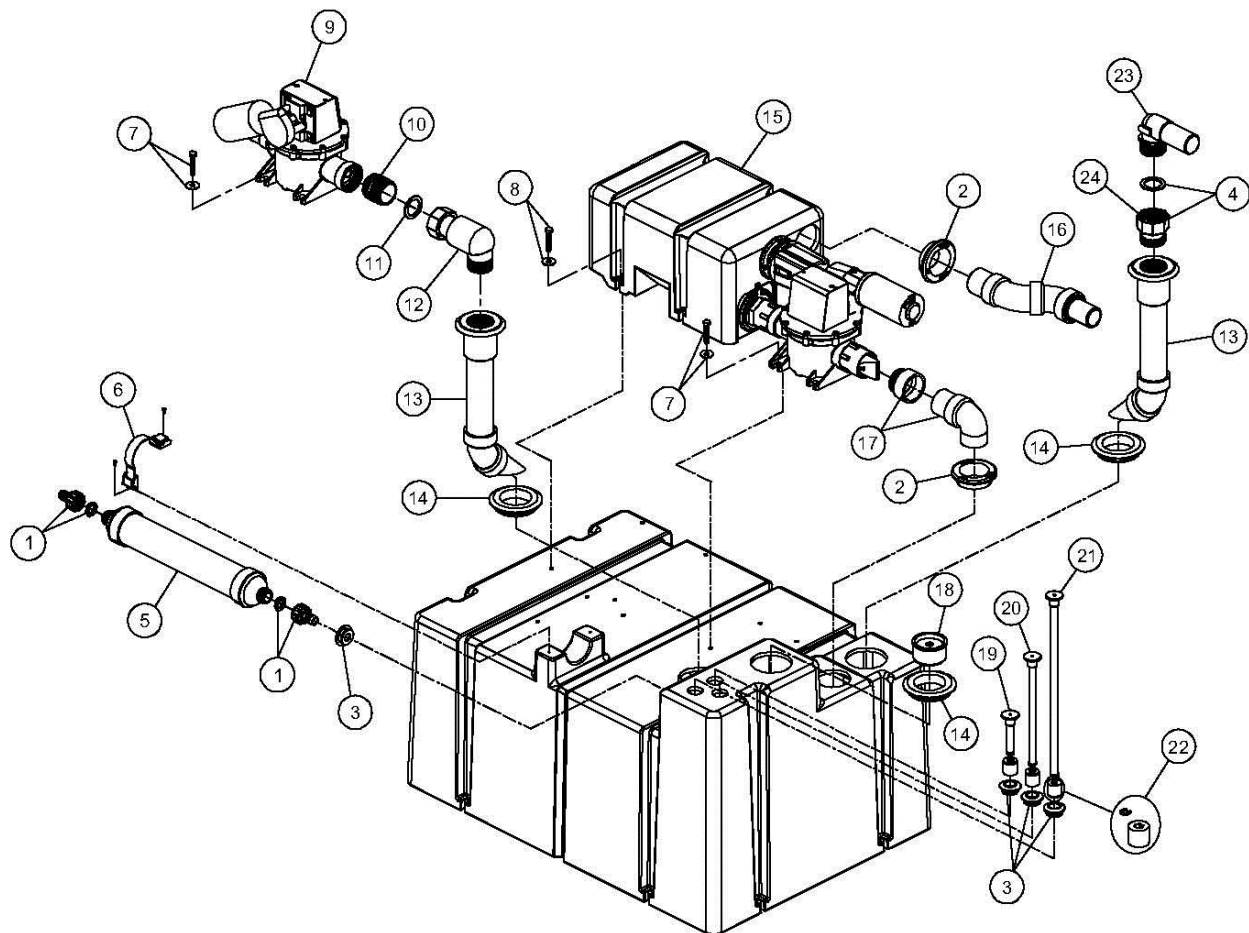
ITEM	PART NO.	DESCRIPTION
1	385310939	KIT, COMP MTG INSERT HD TANK
2	317773012	VGLPW12 REAR INLET
3	317773024	VGLPW24 REAR INLET
4	385311272	NIPPLE, 1-1/2" CLOSE
5	385311233	KIT, SLIP SEAL 1-1/2" REPL
6	385311092	KIT, QUICK CONNECT ELBOW (INC. ITEM 4 & 6)
7	385311111	GROMMET, SEALING 1 1/2"
8	385311110	GROMMET, SEALING 2"
9	313255247	TANK SAVER, 1-1/2" (INC. ITEM 9)
10	385311103	KIT, FLOAT AND RING LOCK
11	385311250	KIT, TW CAP ORING REPL
12	313000355	CAP (INCLUDES ITEM 10)
13	385230268	FLOAT/STEM (THREADED)
14	385311233	KIT, 90° ELBOW FITTING
15	385310660	KIT, DIPTUBE (INC. ITEM 7)
16	385310931	QUICK CONNECT ELBOW
17	307341425	ADAPTER, 1-1/2" HUB X MPT
18	385640335	KIT, S-SUMP INLET TANK TO PUMP
19	385311112	KIT, SEALING GROMMET 3/4"
20	385311091	VENT ELBOW INLET 3/4" (INC. ITEM 18)
21	309310001	REPLACEMENT VENT FILTER
22	385311106	VENT FILTER MTG. BRACKET (INC. SCREWS)
	385310135	FILTER INSTALLATION
	317301200	T-PUMP 12VDC
	317302400	T-PUMP 24VDC



Dometic Corporation - Sanitation Systems  
13126 State Rt. 226, P.O. Box 38  
Big Prairie, OH 44611-0038 USA  
Telephone: 330-496-3211  
Fax: 330-496-3097  
Email: [sealand@dometicusa.com](mailto:sealand@dometicusa.com)

## PARTS LIST: 322713512 HTS 35-LPVGQ12/T12/TW4

ITEM	PART NO.	DESCRIPTION	ITEM	PART NO.	DESCRIPTION
1	385310135	VENT FILTER FITTINGS	13	385310660	DIPTUBE KIT (inc. item 14)
2	385311111	1-1/2" UNISEAL	14	385311110	2" UNISEAL
3	385311164	1/2" UNISEAL	15	N/A	SEE LOW PROFILE VG PARTS LIST
4	385310914	1-1/2" SWIVEL ELBOW KIT (inc. item 23)	16	385310787	45° ELBOW KIT (inc. item 2)
5	309310001	5/8" HOLDING TANK VENT FILTER (item # 1 not inc.)	17	385310844	TANK INLET ELBOW KIT (inc. item 2)
6	385310673	FILTER MOUNTING KIT	18	313255247	1-1/2" TANKSAVER VALVE (inc. item 14)
7	385311163	KIT, MTG HARDWARE PUMP TO TANK	19	385310841	FULL LEVEL INDICATOR (inc. item 3)
8	385311162	KIT, MTG HARDWARE VG TO HTS	20	385310840	MID LEVEL INDICATOR (inc. item 3)
9	317301200	12VDC OVERBOARD DISCHARGE PUMP	21	385310839	EMPTY LEVEL INDICATOR (inc. item 3)
10	385640370	KIT, LH/RH THREAD ADAPTER	22	385311103	KIT, SWITCH FLOAT & LOCK RING
11	385311233	KIT, SLIP SEAL 1-1/2" REPL	23	385311251	KIT, 90° ELBOW FITTING
12	385310931	KIT, QUICK CONNECT ELBOW (inc. item 11)	24	385311070	KIT, THR'D QUICK CON'T ADAPT (inc. item 11)

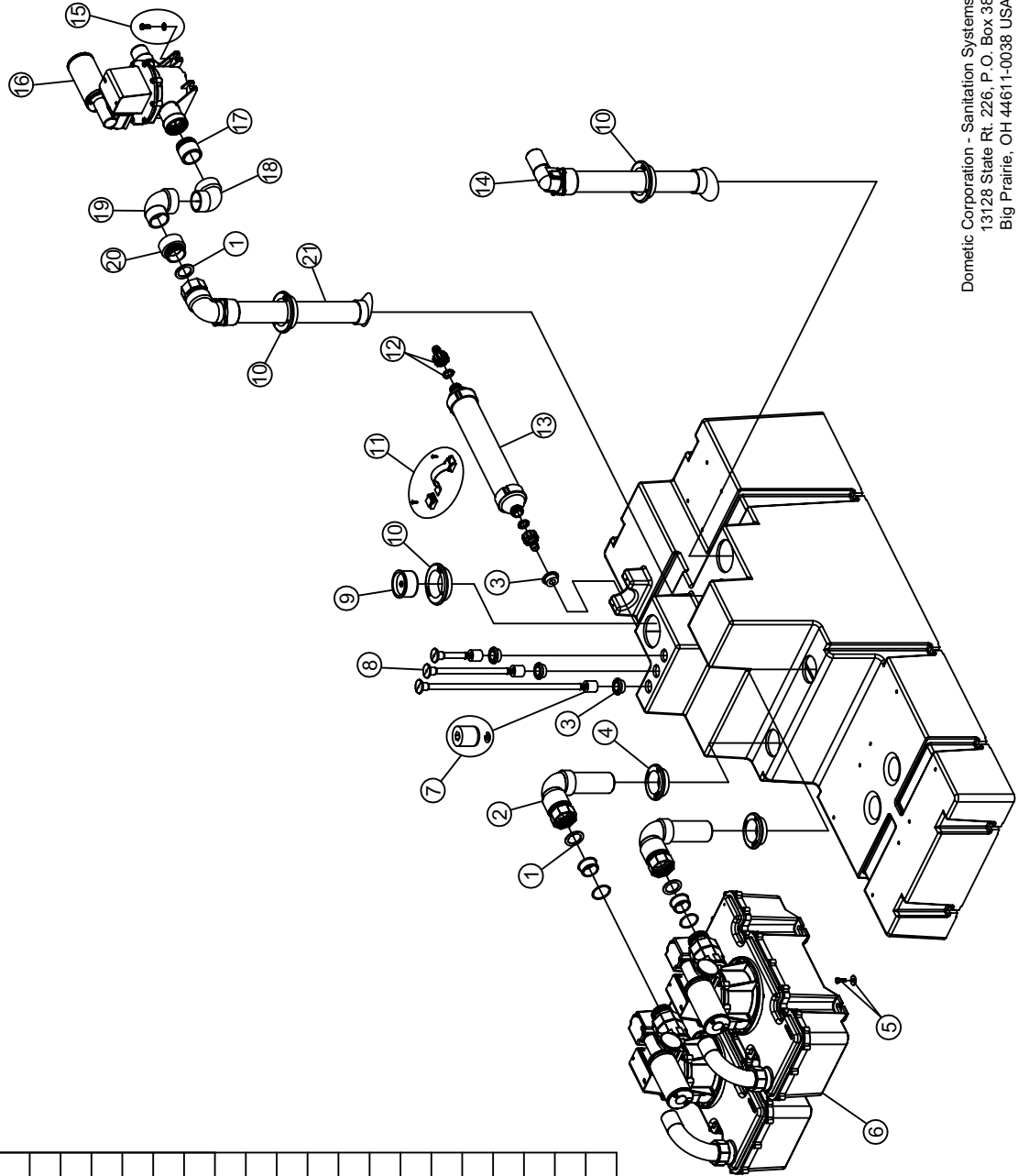


Dometic Corporation - Sanitation Systems  
13128 State Rt. 226, P.O. Box 38  
Big Prairie, OH 44611-0038 USA  
Telephone: 330-496-3211  
Fax: 330-496-3097  
Email: sealand@dometicusa.com



# PARTS LIST: 39 GAL HTS. 322703912 - 322703924

ITEM	PART NO.	DESCRIPTION
1	385311233	KIT. SLIP SEAL 1-1/2" REPL
2	385311460	KIT. INLET ASSY VG4 TO TK (39) (INC 1 & 4)
3	385311164	KIT. SEALING GROMMET 1/2"
4	385311111	KIT. SEALING GROMMET 1-1/2"
5	385311162	KIT. MTG HARDWARE VG TO HTS
6	N/A	SEE VG4 EXPLODED PARTS LIST
7	385311103	KIT. SWITCH FLOAT & LOCK RING
8	385311253	KIT. ADJ INDV LEVEL INDIC 12" (INC 3)
9	313255247	TANK SAVER, 1-1/2" (INC 10)
10	385311110	KIT. SEALING GROMMET 2"
11	385310673	KIT. FILTER MOUNTING-HTS
12	385310135	KIT. FILTER INSTALLATION
13	309310001	HOLDING TANK REPL FILTER
14	385311573	KIT. DIPTUBE 90° ELBOW GLUED (INC 10)
15	385311163	KIT. MTG HARDWARE PUMP TO TANK
16	N/A	SEE PUMP EXPLODED PARTS LIST
17	385640335	KIT. S-SUMP INLET TANK TO PUMP
18	307341161	ELL. STREET 90 DEGREE
19	600342787	ELBOW, STREET 1/4 BEND-1-1/2"
20	307341425	ADAPTER, 1-1/2" HUB X MPT
21	385311575	KIT. TPUMP DIPTUBE EL/SWMV CON

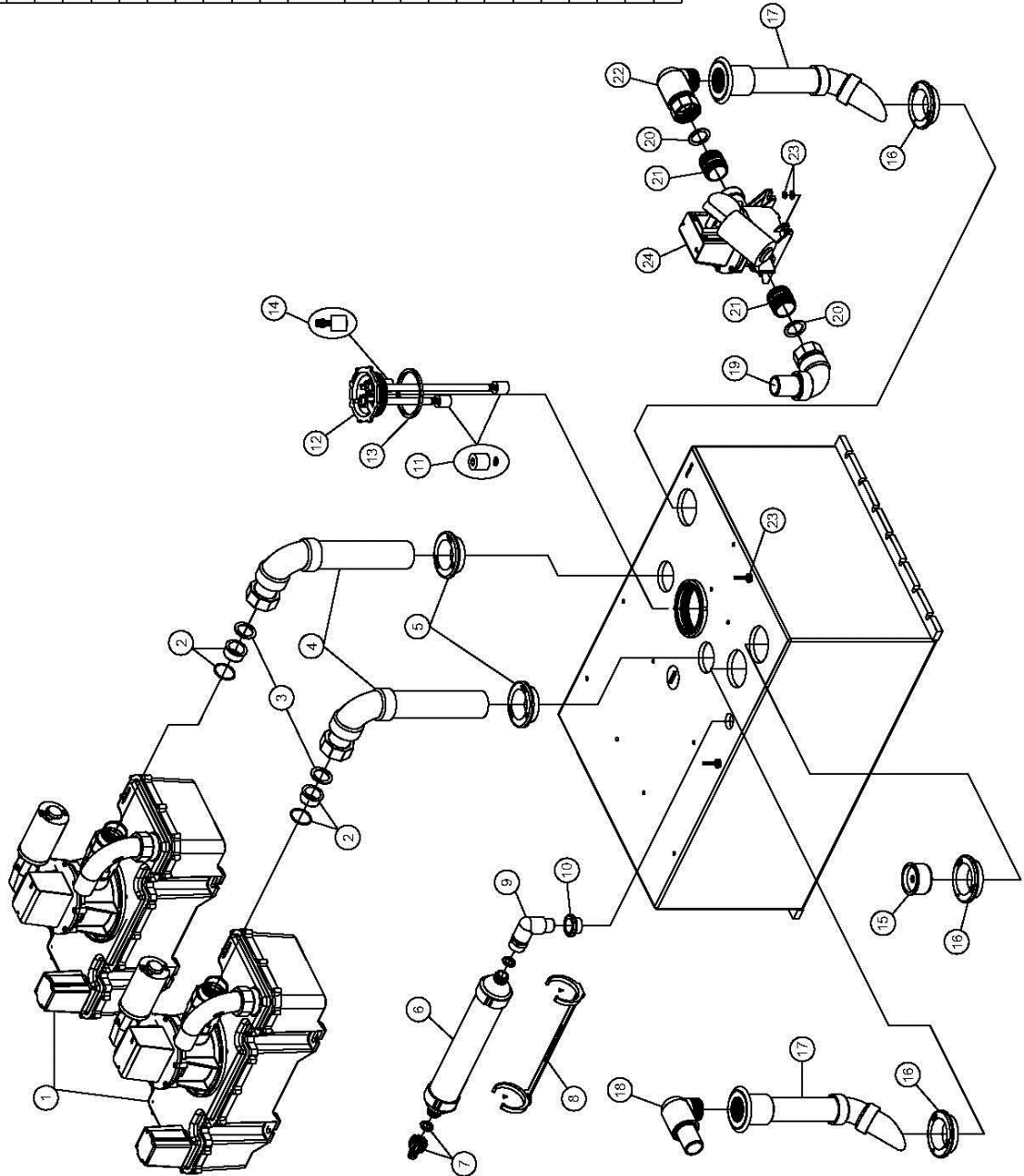


Dometic Corporation - Sanitation Systems  
13128 State Rt. 226, P.O. Box 38  
Big Prairie, OH 44611-0038 USA  
Telephone: 330-496-3211  
Fax: 330-496-3097  
E-mail: sealand@dometicusa.com

PARTS LIST: 322714012, 322714024

ITEM	PART NO.	DESCRIPTION
1	N/A	SEE LPVG EXPLODED PARTS LIST
2	385311237	KIT, SLIP SEAL ADAPTER VG4
3	385311233	KIT, SLIP SEAL 1-1/2" REPL
4	385311306	KIT, VG4 INLET (322404005) (inc. items 3 & 5)
5	385311111	KIT, SEALING GROMMET 1-1/2"
6	309310001	HOLDING TANK REPL FILTER
7	385310135	KIT, FILTER INSTALLATION
8	385311106	KIT, VENT FILTER BRACKET
9	385311091	KIT, VENT ELBOW INLET 3/4" (inc. item 10)
10	385311112	KIT, SEALING GROMMET 3/4"
11	385311103	KIT, SWITCH FLOAT & LOCK RING
12*	313000350	TWIN LEVEL CAP w/VENT (inc. item 13)
	385311149	KIT, TW CAP W/O VENT(D) 404DH (inc. item 13)
13	385311250	KIT, TW CAP ORING REPL
14	385230268	KIT, FLOAT SYSTEM (THREADED)
15	313255247	TANKSAVER 1-1/2" (inc. item 16)
16	385311110	KIT, SEALING GROMMET 2"
17	385310660	KIT, DIP TUBE UNIVERSAL (inc. item 18)
18	385311069	KIT, THRD ELBOW W/HOSE ADAPT
19	385310535	KIT, OPTIONAL ELBOW W/II (inc. item 21)
20	385311233	KIT, SLIP SEAL 1-1/2" REPL
21	385640370	KIT, LHRH THREAD ADAPTER
22	385310931	KIT, QUICK CONNECT ELBOW (inc. item 21)
23	385310939	KIT, COMP MTS INSERT HD TANK
24	385310939	SEE PUMP EXPLODED PARTS LIST.

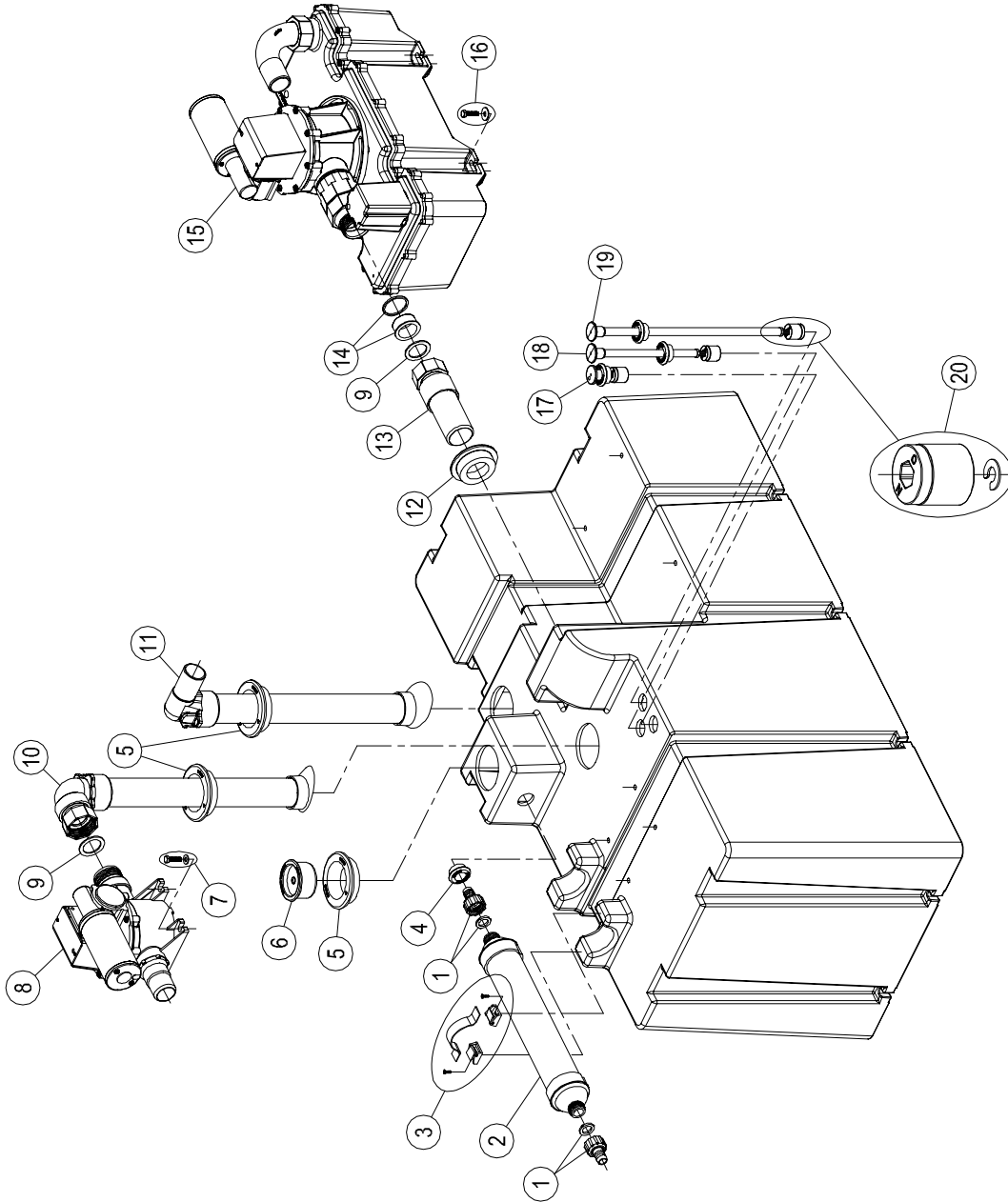
\*Models 322404005 and 322404008 have non vented caps.  
\*Models 322714012 and 322714024 have vented caps.



Dometic Corporation - Sanitation Systems  
13128 State Rt. 226, P. O. Box 38  
Big Prairie, OH 44611-0038 USA  
Telephone: 330-496-3211  
Fax: 330-496-3097  
Email: ssaland@dometicus.com

**PARTS LIST: 42 GALLON HTS / 322714212 & 322014224**

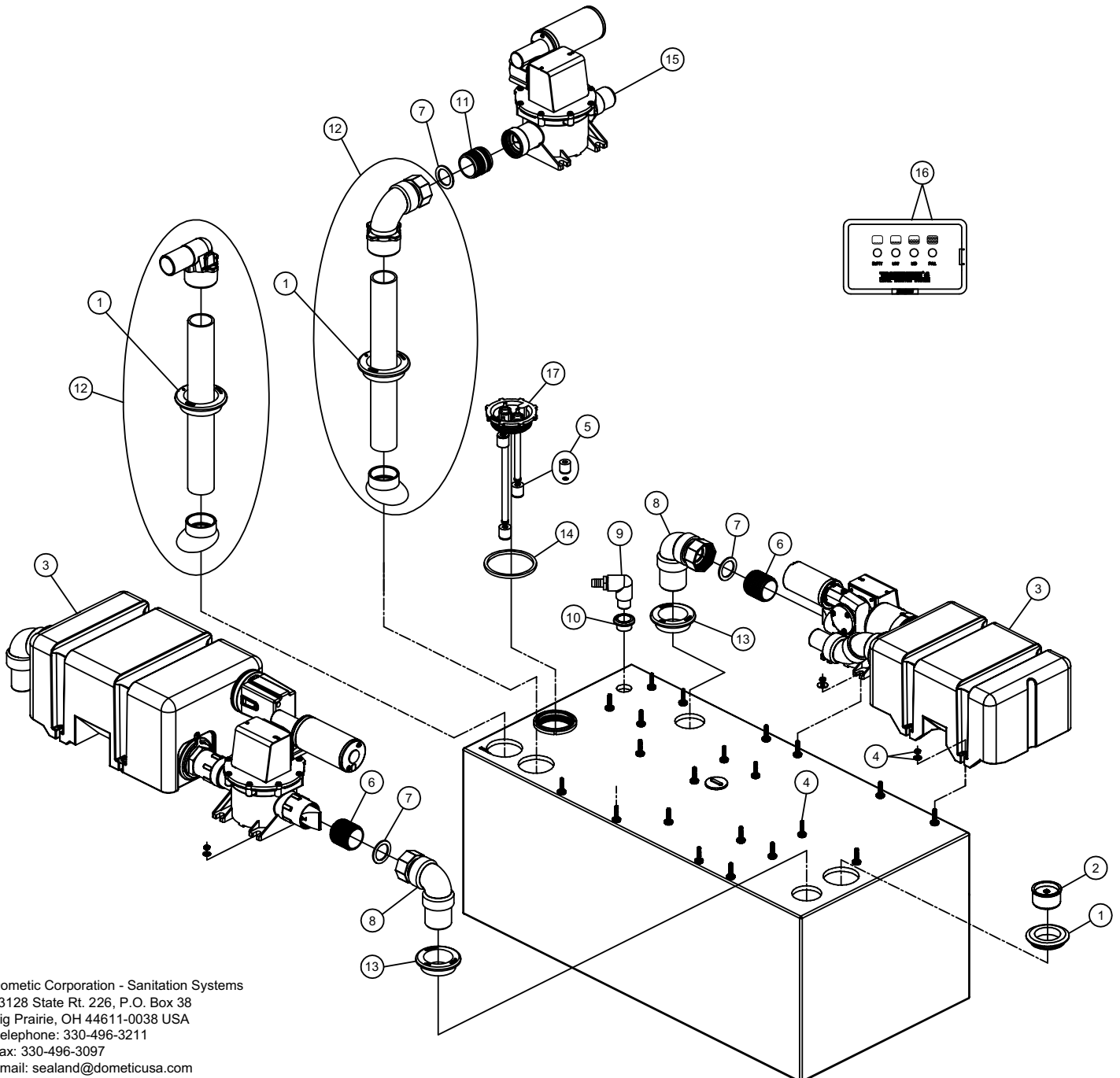
ITEM	PART NUMBER & DESCRIPTION
1	385310135 VENT FILTER FITTINGS
2	309310001 VENT FILTER REPLACEMENT
3	385310673 VENT FILTER MOUNTING KIT
4	385311164 1/2" SEALING GROMMET
5	385311110 2" SEALING GROMMET
6	313255247 TANKSAVER **INCLUDES ITEM 5.
7	385311163 PUMP MTG HARDWARE
8	N/A DISCHARGE PUMP
9	385311233 1-1/2" SLIP SEAL REPLACEMENT
10	385311575 ELBOW DIPTUBE w/SWIVEL NUT **INCLUDES ITEM 5 & 9.
11	385311573 90° ELBOW DIPTUBE ASSEMBLY **INCLUDES ITEM 5.
12	385311111 1-1/2" SEALING GROMMET
13	385311236 VG/TANK INLET FITTING **INCLUDES ITEM 9 & 12.
14	385311237 VG SLIP SEAL ADAPTER KIT
15	N/A VACUUM GENERATOR 4
16	385311162 VG MTG HARDWARE
17	313900101 TANK FULL LEVEL **INCLUDES ITEM 4.
18	385311253 ADJUSTABLE TANK LEVEL 12". **INCLUDES ITEM 4.
19	385311254 ADJUSTABLE TANK LEVEL 24". **INCLUDES ITEM 4.
20	385311103 TANK LEVEL FLOAT & LOCK RING



Domestic Corporation - Sanitation Systems  
13128 State Rt. 226, P.O. Box 38  
Big Prairie, OH 44611-0038 USA  
Telephone: 330-496-3211  
Fax: 330-496-3097  
Email: sealand@domesticusa.com

## PARTS LIST: HD TANK 4055 (322715512 & 322715524)

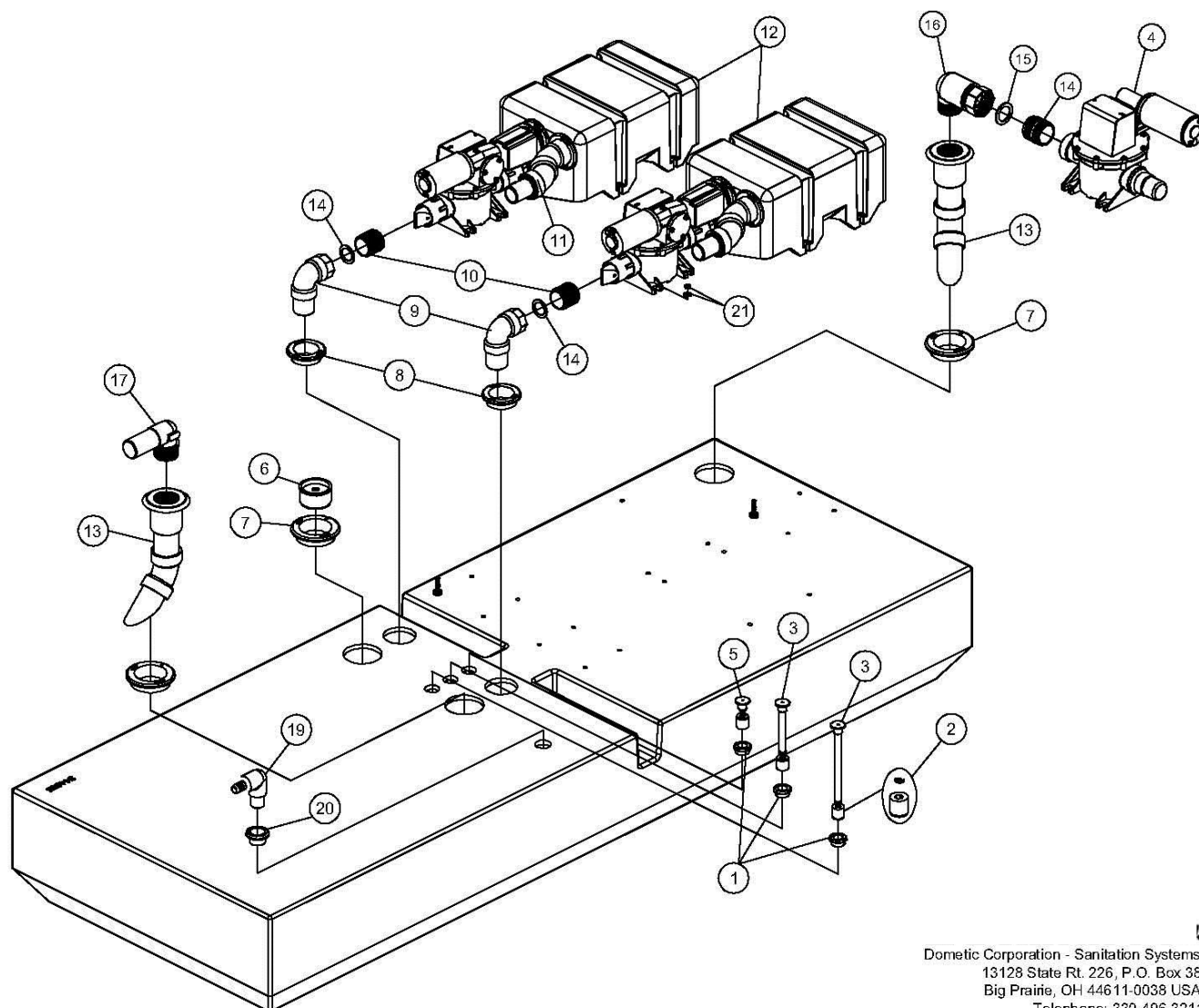
ITEM	PART NO.	DESCRIPTION	ITEM	PART NO.	DESCRIPTION
1	385311110	SEALING GROMMET 2"	10	385311112	GROMMET, SEALING 3/4"
2	313255247	1 1/2" TANKSAVER (INC. 1)	11	385640370	KIT, LH/RH THREAD ADAPTER
3	--	SEE VGLP EXPLODED PARTS LIST	12	385311596	KIT, DIP'T LRG SWEEP EL/NUT (INC 1)
4	385310939	KIT, COM'P MTG INSERT HD TANK	13	385311111	1-1/2" SEALING GROMMET
5	385311103	KIT, SWITCH FLOAT & LOCK RING	14	385311250	KIT, TW CAP ORING REPL
6	388640366	NIPPLE, CLOSE 1 1/2"	15	N/A	SEE T-PUMP PARTS LIST </td
7	385311233	SLIP JOINT SEAL 1-1/2"	16	360600212	TW4 PANEL W/RELAY-12VDC
8	385311092	SWIVEL ELBOW (INC. 7 & 13)		360600224	TW4 PANEL W/RELAY-24VDC
9	385311073	VENT ELBOW (INC.10)	17	313000355	TW CAP W/O VENT



Dometic Corporation - Sanitation Systems  
13128 State Rt. 226, P.O. Box 38  
Big Prairie, OH 44611-0038 USA  
Telephone: 330-496-3211  
Fax: 330-496-3097  
Email: sealand@dometicusa.com

## PARTS LIST: HTS 80 LPVG12/T12 OR 24/TW4

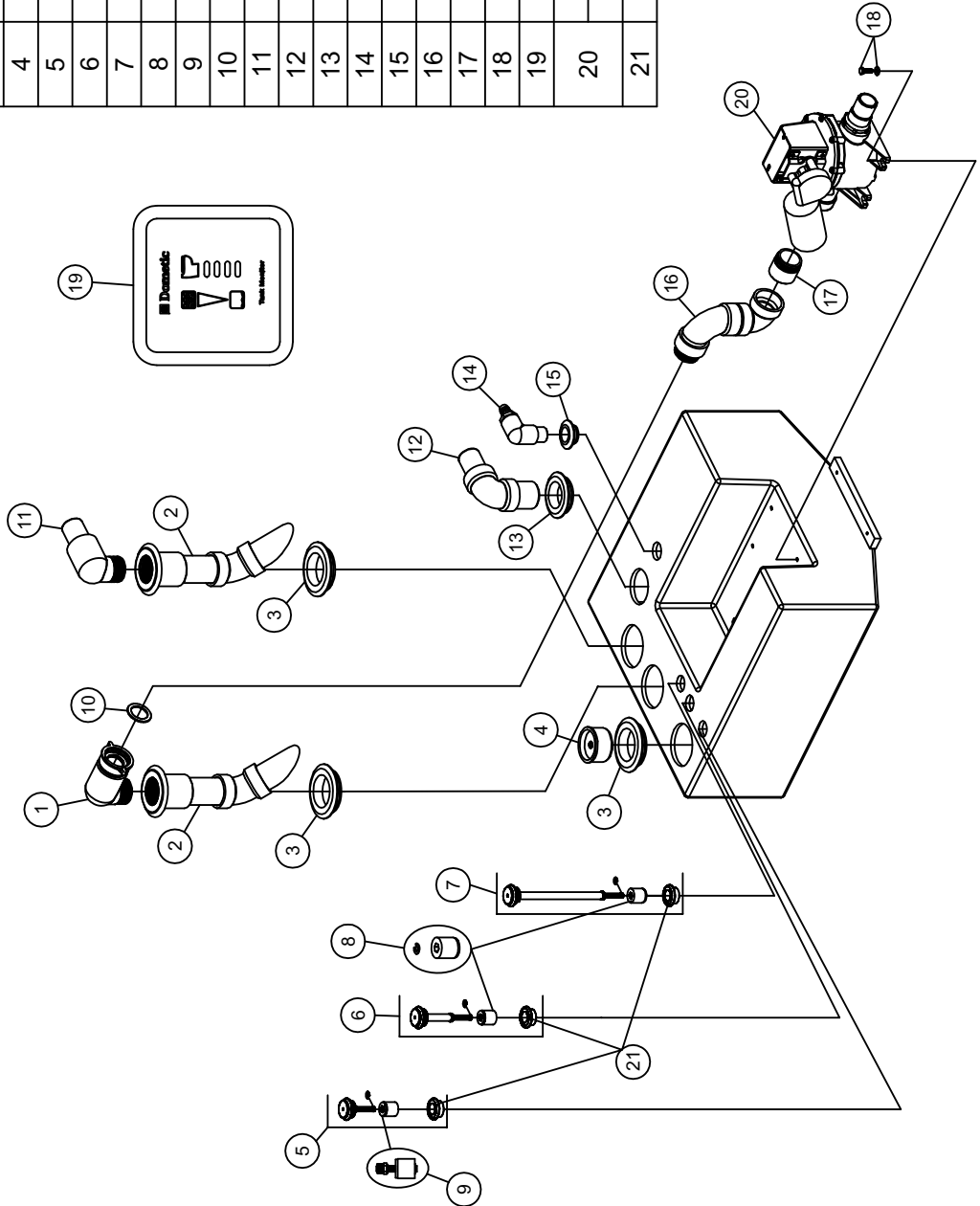
ITEM	PART NO.	DESCRIPTION	ITEM	PART NO.	DESCRIPTION
1	385311164	SEALING GROMMET 1/2"	11	385310787	KIT, 45 INLET ELBOW/UNISEALS (inc. item 8)
2	385311103	REED SWITCH FLOAT & LOCK RING KIT	12	N/A	SEE VACUUM GENERATOR PARTS LIST
3	385311104	LEVEL INDICATOR - 5- 1/2" (inc. item 1)	13	385310660	DIPTUBE KIT 24" (inc. item 7)
4	N/A	SEE PUMP PARTS LIST	14	385311233	KIT, SLIP SEAL 1-1/2" REPL
5	313900101	TANK FULL FLOAT (inc. item 3)	15	385640370	KIT, LH/RH THREAD ADAPTER
6	313255247	1 1/2" TANKSAVER (inc. item 7)	16	385310931	KIT, QUICK CONNECT ELBOW (inc. item 14)
7	385311110	SEALING GROMMET 2"	17	385311251	KIT, 90° ELBOW FITTING
8	385311111	1-1/2" SEALING GROMMET	18	385310939	KIT, COMP MTG INSERT HD TANK
9	385311092	SWIVEL ELBOW KIT (inc. item 8 & 14)	19	385311073	KIT, VENT ELBOW-BARBED
10	385311272	KIT, 1-1/2" CLOSED NIP(MACHN)	20	385311112	SEALING GROMMET 3/4"



Dometic Corporation - Sanitation Systems  
13128 State Rt. 226, P.O. Box 38  
Big Prairie, OH 44611-0038 USA  
Telephone: 330-496-3211  
Fax: 330-496-3097  
Email: sealand@dometicusa.com

**PARTS LIST: 10 GALLON HULL 322721012-322721024**

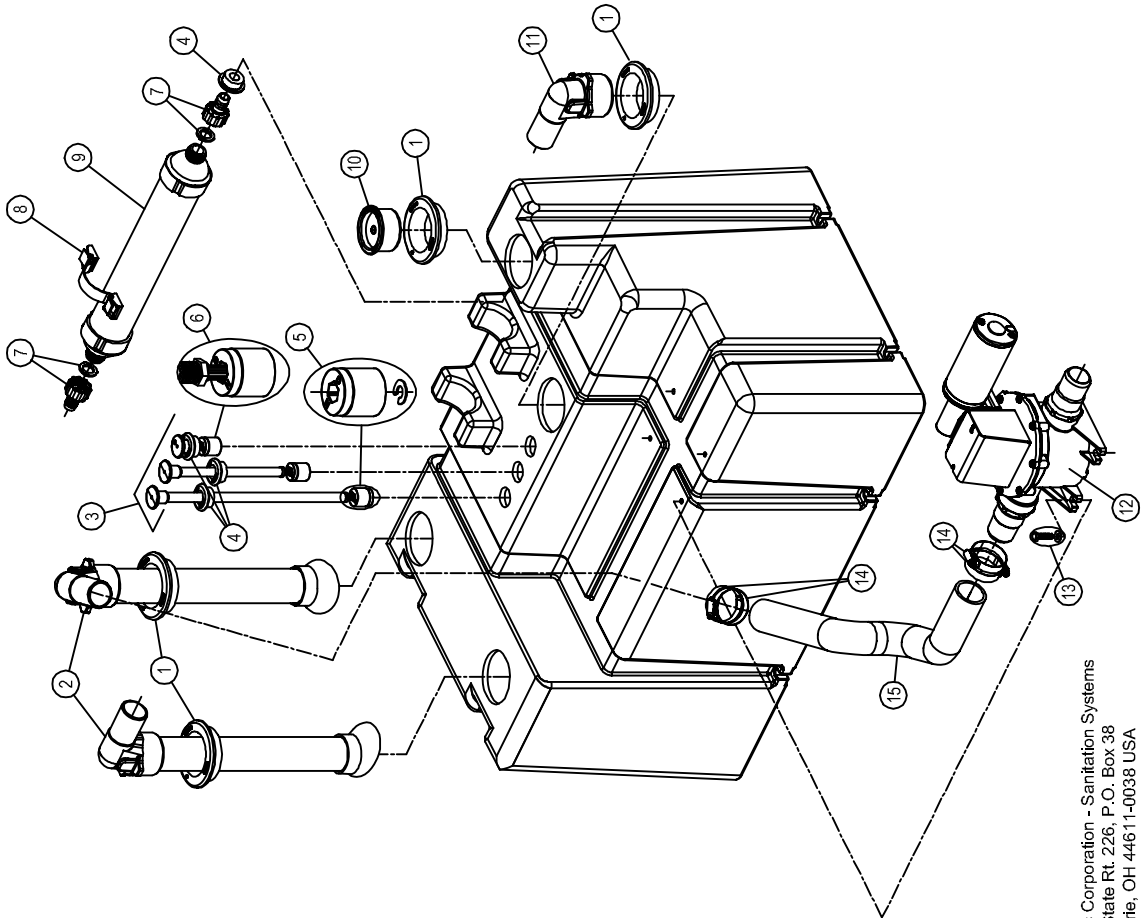
ITEM	PART NO.	DESCRIPTION
1	385310931	QUICK CONNECT FITTING (INC 10)
2	385310660	KIT, DIP TUBE-UNIVERSAL (INC 3)
3	385311110	KIT, SEALING GROMMET 2"
4	313255247	TANKSAVER (INC 3)
5	313900101	FULL FLOAT INDICATOR (INC 21)
6	385311031	MID FLOAT INDICATOR (INC 21)
7	385311032	EMPTY FLOAT INDICATOR (INC 21)
8	385311103	SWITCH FLOAT & LOCK RING
9	385230268	THREADED SWITCH FLOAT & LOCK RING
10	385311233	KIT, SLIP SEAL 1-1/2" REPL
11	385311069	KIT, THRD ELBOW W/HOSE ADAPT
12	385310635	KIT, INLET ELBOW-UNISEAL (INC 13)
13	385311111	KIT, SEALING GROMMET 1-1/2"
14	385311073	KIT, VENT ELBOW-BARBED (INC 15)
15	385311112	KIT, SEALING GROMMET 3/4"
16	385311029	PUMP TO DIPTUBE TRANS ELBOW KIT (INC 10)
17	385640335	KIT, PUMP ADAPTER FITTING
18	385311163	KIT, MTG HARDWARE PUMP TO TANK
19	313604402	DTM04 PNL ONLY/12VDC RLY-BLK
20	385310930	12VDC PUMP (REV. TOP)
	385311156	24VDC PUMP (REV. TOP)
21	385311164	KIT, SEALING GROMMET 1/2"





# PARTS LIST: 28 GALLON HTS / 322002812

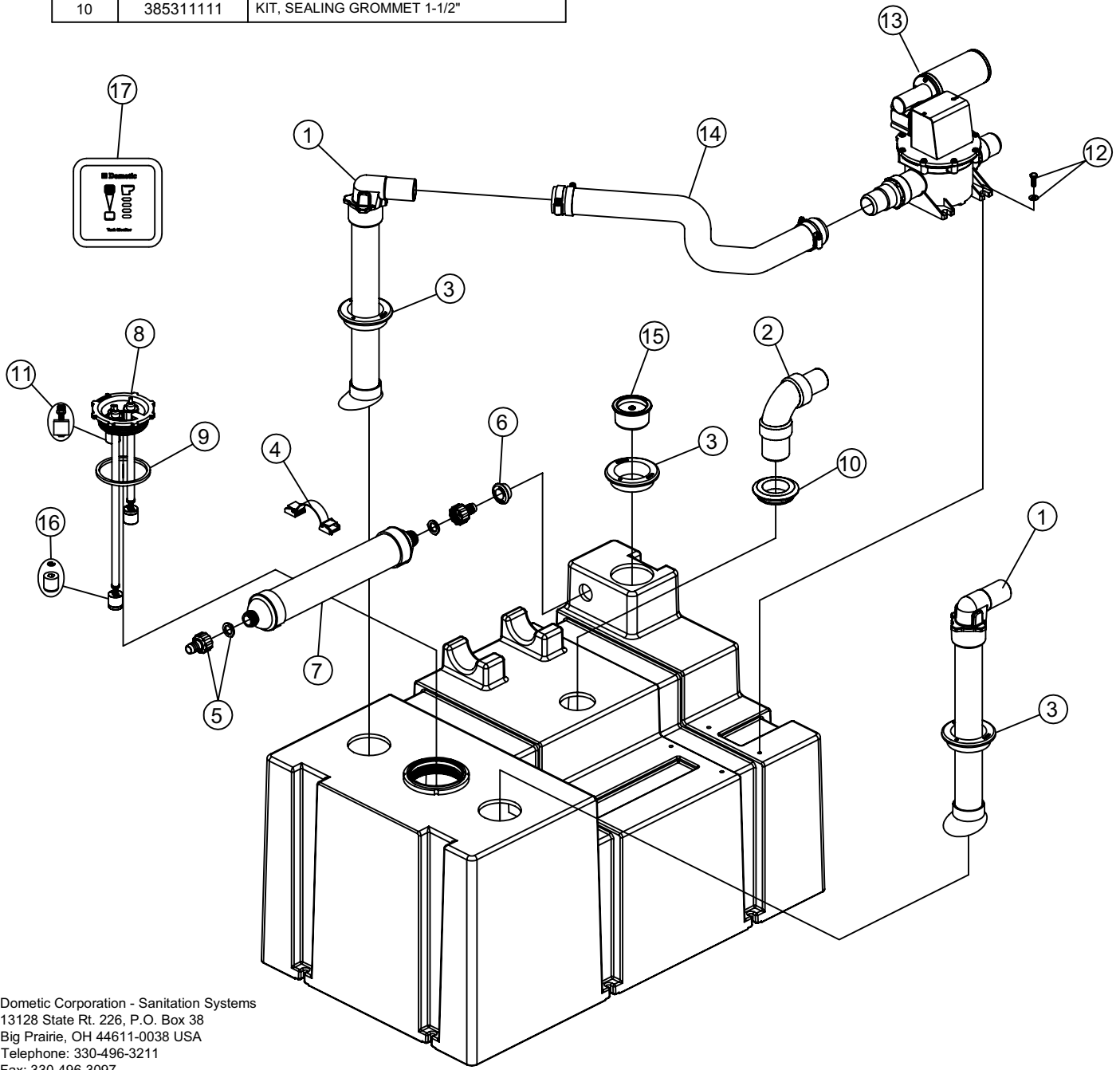
ITEM	PART NUMBER & DESCRIPTION
1	385311110 2" SEALING GROMMET
2	385311573 DIPTUBE ASSEMBLY 90° ELBOW **INCLUDES ITEM 1
3	385311315 TANK LEVELS w/DT CONNECTOR **INCLUDES ITEM 4
4	385311164 1/2" SEALING GROMMET
5	385311103 TANK LEVEL FLOAT & LOCK RING
6	385230268 THREADED STEM/FLOAT REPLACEMENT
7	385310135 VENT FILTER FITTINGS
8	385310673 VENT FILTER MOUNTING KIT
9	309310001 VENT FILTER
10	313255247 TANKSAVER **INCLUDES ITEM 1
11	385311608 1-1/2" INLET ELBOW FITTING **INCLUDES ITEM 1
12	N/A DISCHARGE PUMP **SEE DISCHARGE PUMP LIST.
13	385311163 PUMP MOUNTING HARDWARE
14	385311898 1-1/2" HOSE CLAMP **INCLUDES 2 CLAMPS PER KIT
15	385311089 1-1/2" HOSE REPLACEMENT (24")



Dometic Corporation - Sanitation Systems  
13128 State Rt. 226, P.O. Box 38  
Big Prairie, OH 44611-0038 USA  
Telephone: 330-496-3211  
Fax: 330-496-3097  
Email: sealand@dometicusa.com

**PARTS LIST: 322014012      HTS 40-DTM04/12VDC**  
**322014024      HTS 40-DTM04/24VDC**

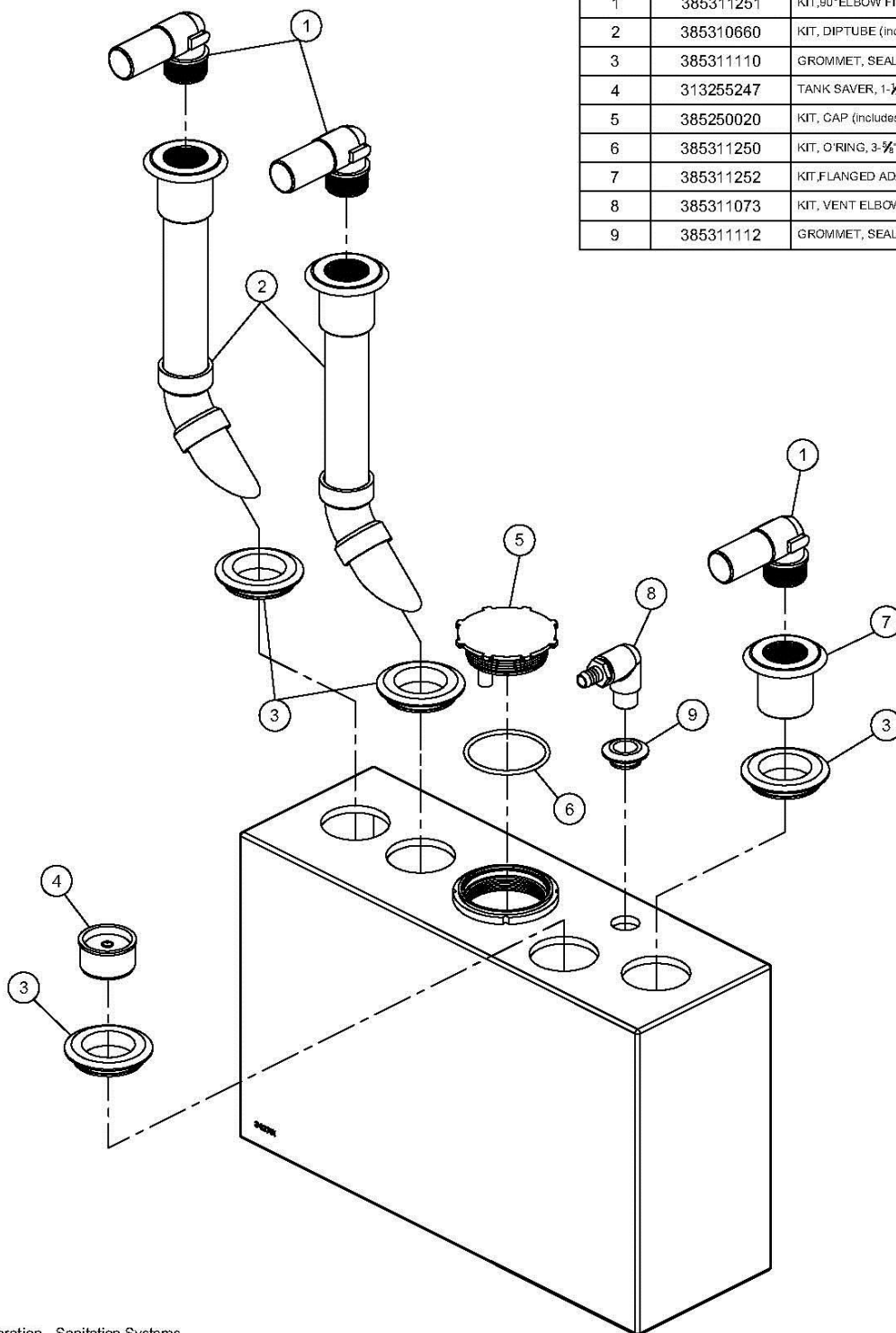
ITEM	PART NO.	DESCRIPTION	ITEM	PART NO.	DESCRIPTION
1	385311573	KIT, DIPTUBE 90° ELBOW GLUED (INC 3)	11	385230268	KIT, FLOAT/STEM (THREADED)
2	385310635	KIT, INLET ELBOW-UNISEAL (INC. 10)	12	385311163	KIT, MTG HARDWARE PUMP TO TANK
3	385311110	KIT, SEALING GROMMET 2"	13	N/A	SEE PUMP EXPLODED PARTS LIST
4	385310673	KIT, FILTER MOUNTING-HTS	14	385311089	KIT, HD TK 1-1/2" HOSE REP'L
5	385310135	KIT, FILTER INSTALLATION	15	313255247	TANK SAVER, 1-1/2" (INC. ITEM 3)
6	385311164	KIT, SEALING GROMMET 1/2"	16	385311103	KIT, SWITCH FLOAT & LOCK RING
7	309310001	HOLDING TANK REP'L FILTER	17	313604401	DTM04 PNL ONLY - BLACK
8	385310646	KIT, TW III CAP W/O VENT-40HTS (INC. 9)			
9	385311250	KIT, TW CAP ORING REP'L			
10	385311111	KIT, SEALING GROMMET 1-1/2"			



Dometic Corporation - Sanitation Systems  
13128 State Rt. 226, P.O. Box 38  
Big Prairie, OH 44611-0038 USA  
Telephone: 330-496-3211  
Fax: 330-496-3097  
Email: sealand@dometicusa.com

## PARTS LIST: MODEL 322840122 HTS BASIC

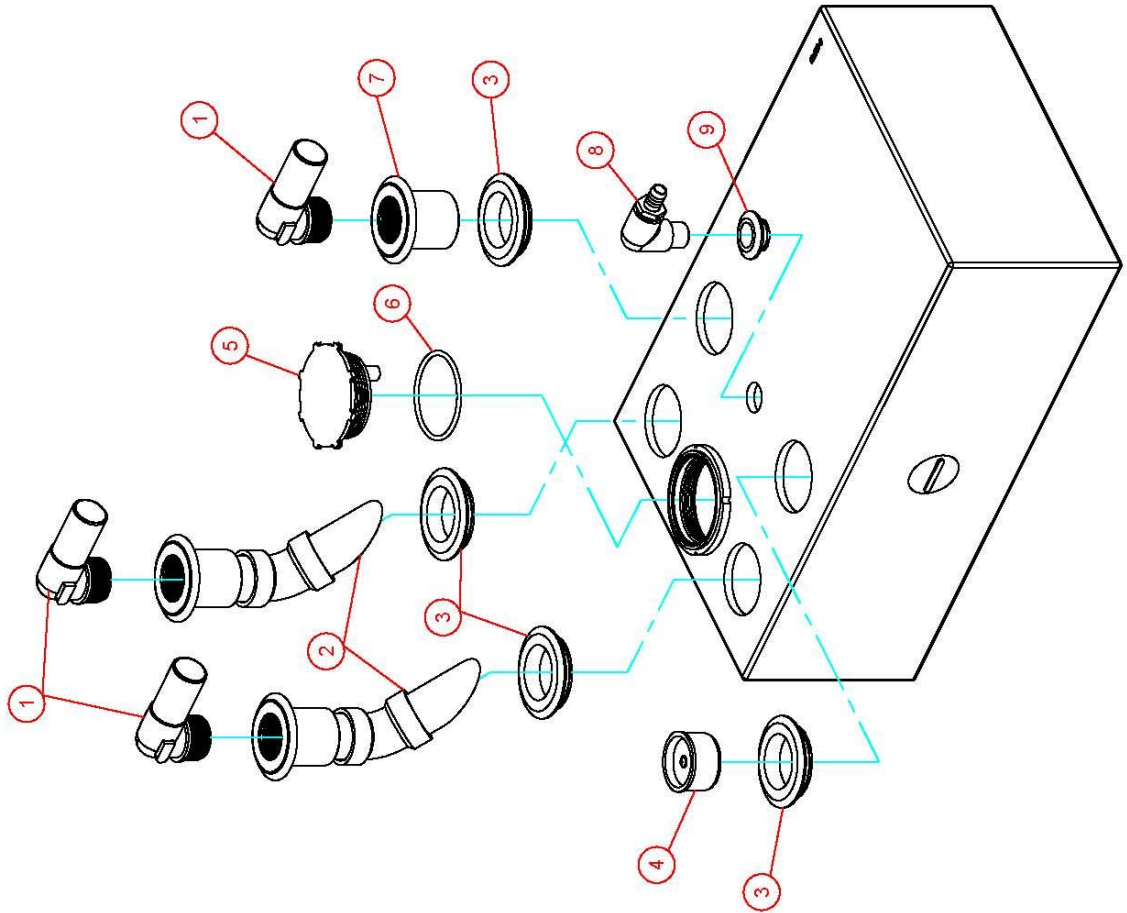
ITEM	PART NO.	DESCRIPTION
1	385311251	KIT, 90° ELBOW FITTING
2	385310660	KIT, DIPTUBE (includes item 3)
3	385311110	GROMMET, SEALING 2"
4	313255247	TANK SAVER, 1-1/2" (includes item 3)
5	385250020	KIT, CAP (includes item 6)
6	385311250	KIT, O'RING, 3-3/4" OD X 3/16"
7	385311252	KIT, FLANGED ADAPTER FITTING
8	385311073	KIT, VENT ELBOW BARBED
9	385311112	GROMMET, SEALING 3/4"



Dometic Corporation - Sanitation Systems  
13128 State Rt. 226, P.O. Box 38  
Big Prairie, OH 44611-0038 USA  
Telephone: 330-496-3211  
Fax: 330-496-3097  
Email: sealand@dometicusa.com

# PARTS LIST: MODEL 322840121 HTS BASIC

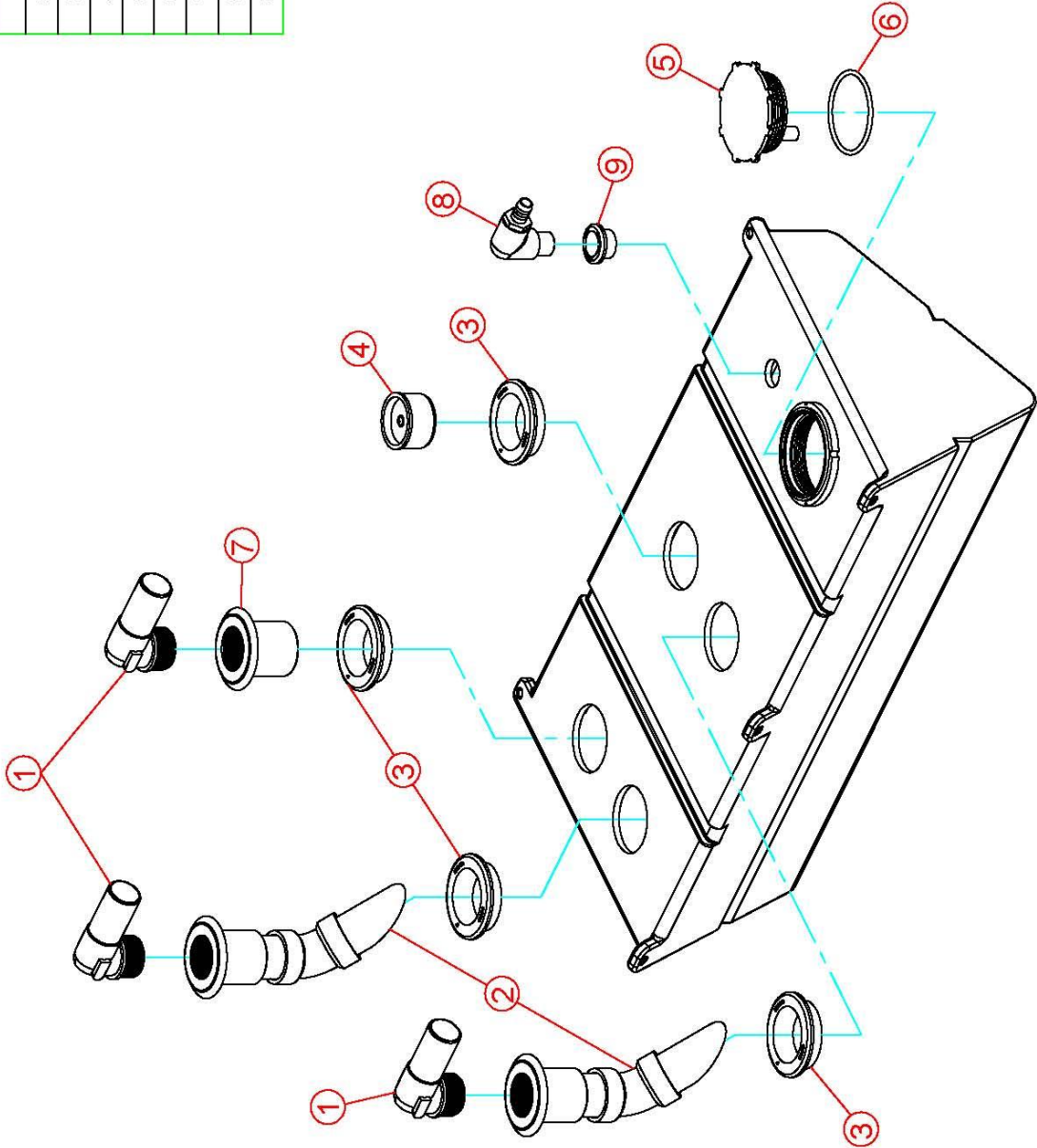
ITEM	PART NO.	DESCRIPTION
1	385311251	KIT, 90° ELBOW/FITTING
2	385310937	KIT, DIPTUBE (includes item 3)
3	385311110	GROMMET, SEALING 2"
4	313255247	TANK SAVER, 1-1/2" (includes item 3)
5	385250020	KIT, CAP (includes item 6)
6	385311250	KIT, O-RING, 3-3/4" OD X 3/16"
7	385311252	KIT, FLANGED ADAPTER FITTING
8	385311073	KIT, VENT ELBOW/BARBED
9	385311112	GROMMET, SEALING 3/4"



Dometic Corporation - Sanitation Systems  
13128 State Rt. 226, P.O. Box 38  
Big Prairie, OH 44611-0038 USA  
Telephone: 330-496-3211  
Fax: 330-496-3097  
Email: [encland@dometicusa.com](mailto:encland@dometicusa.com)

PARTS LIST: MODEL 322800121 HTS BASIC

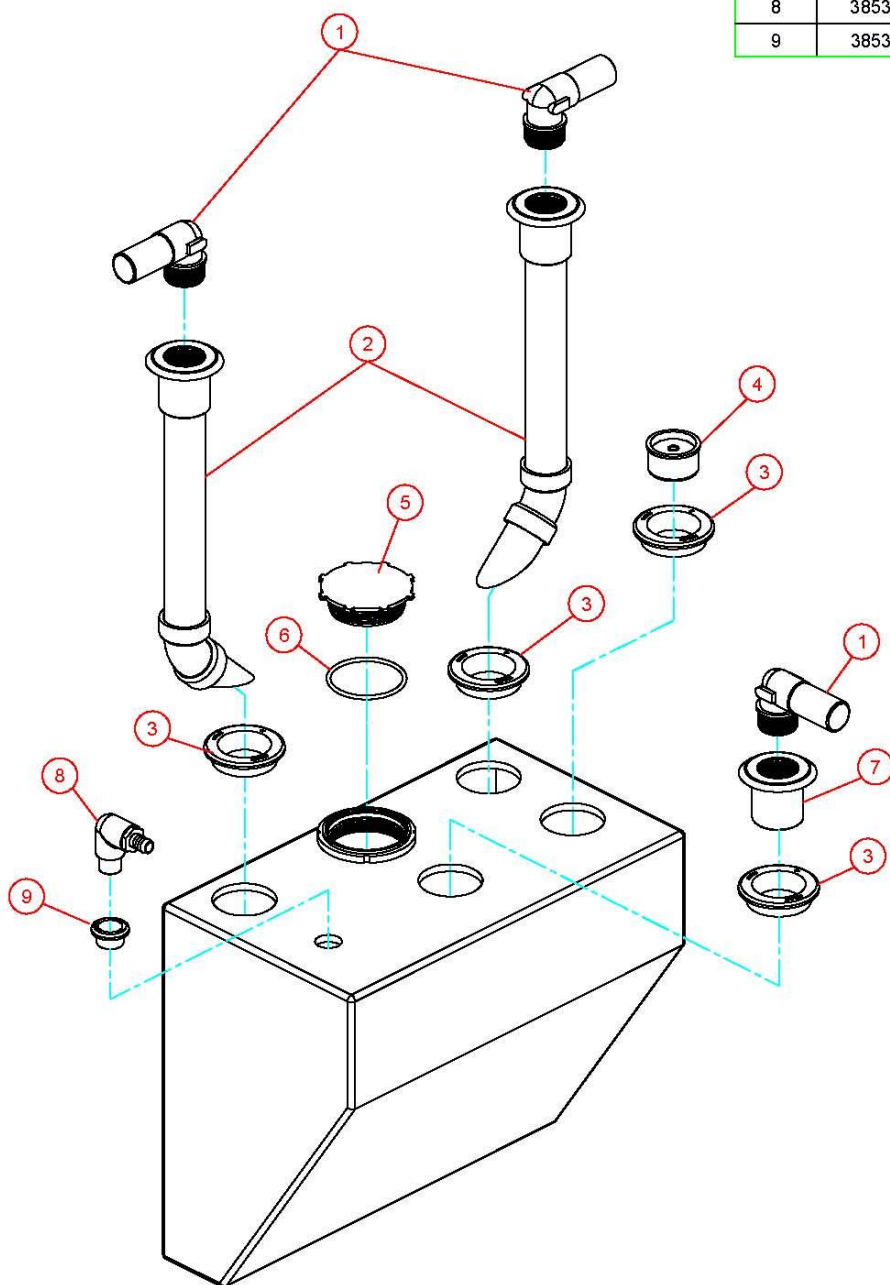
ITEM	PART NO.	DESCRIPTION
1	385311251	KIT, 90° ELBOW FITTING
2	385311078	KIT, DIPTUBE
3	385311110	KIT, GROMMET SEALING 2"
4	313255247	TANK SAVER, 1-1/2" (includes item 3)
5	385250020	KIT, CAP (includes item 6)
6	385311250	KIT, O'RING 3-5/8" OD X 3/8"
7	385311252	KIT, FLANGED ADAPTER FITTING
8	385311073	KIT, VENT ELBOW BARBED
9	385311112	KIT, GROMMET SEALING 3/4"



Dometic Corporation - Sanitation Systems  
13128 State Rt. 226, P.O. Box 38  
Big Prairie, OH 44611-0038 USA  
Telephone: 330-496-3211  
Fax: 330-496-3097  
Email: [sealand@dometicusa.com](mailto:sealand@dometicusa.com)

## PARTS LIST: MODEL 322840152 HTS BASIC

ITEM	PART NO.	DESCRIPTION
1	385311251	KIT, 90° ELBOW FITTING
2	385311077	KIT, DIPTUBE (includes item 3)
3	385311110	GROMMET, SEALING 2"
4	313255247	TANK SAVER, 1- $\frac{1}{2}$ " (includes item 3)
5	385250020	KIT, CAP (includes item 6)
6	385311250	KIT, O'RING, 3- $\frac{1}{2}$ " OD X $\frac{3}{16}$ "
7	385311252	KIT, FLANGED ADAPTER FITTING
8	385311073	KIT, VENT ELBOW BARBED (includes item 9)
9	385311112	GROMMET, SEALING $\frac{3}{4}$ "

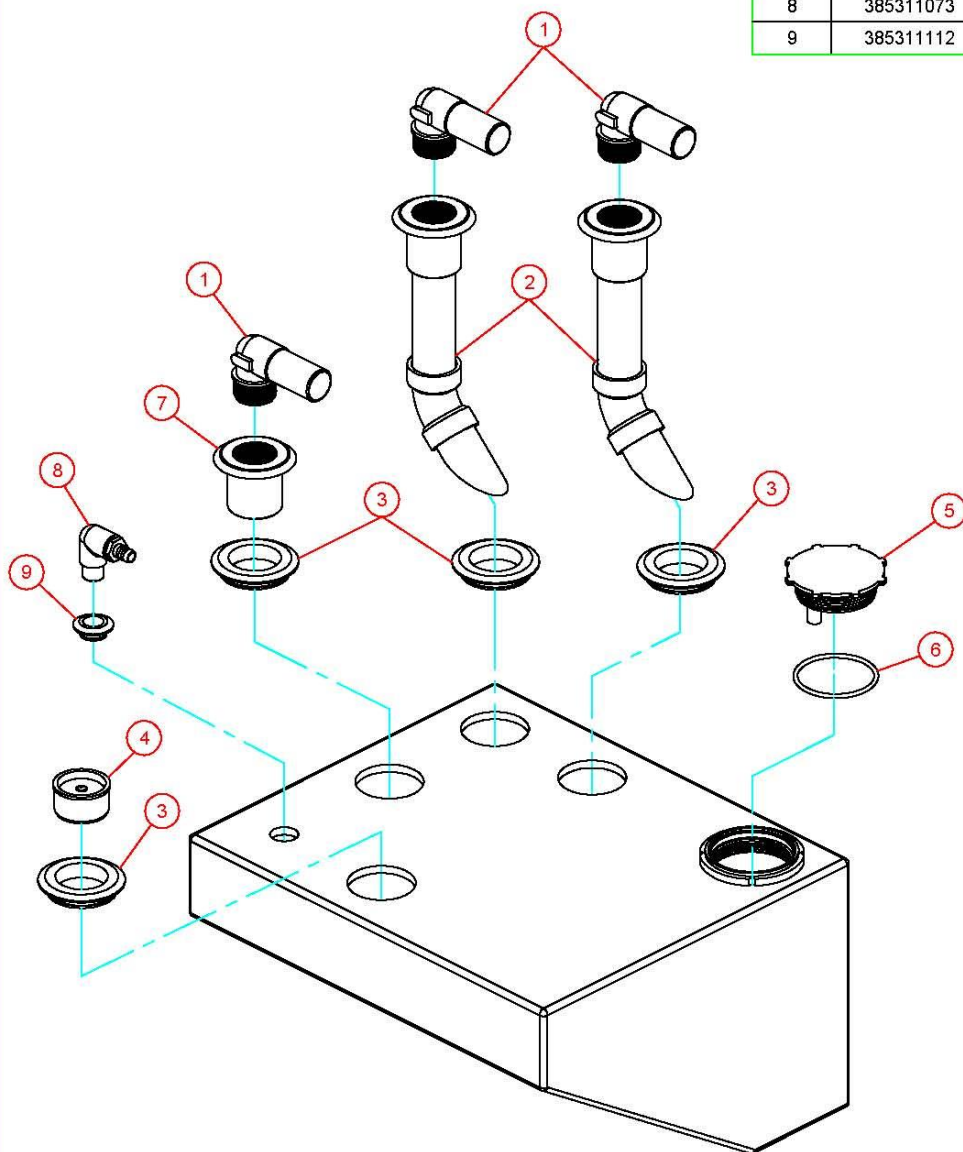


Dometic Corporation - Sanitation Systems  
13128 State Rt. 226, P.O. Box 38  
Big Prairie, OH 44611-0038 USA  
Telephone: 330-496-3211  
Fax: 330-496-3097  
Email: sealand@dometicusa.com



## PARTS LIST: MODEL 322840151 HTS BASIC

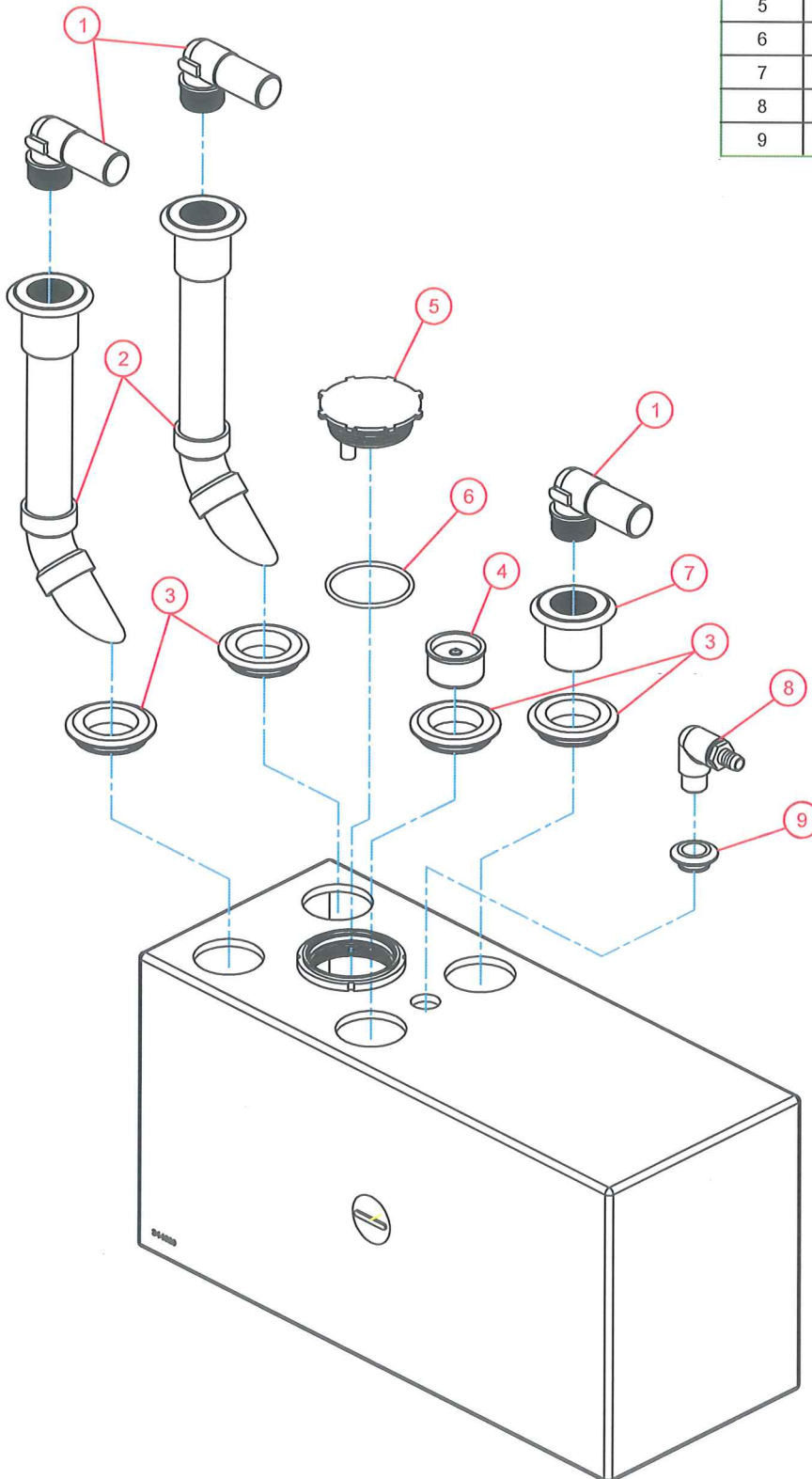
ITEM	PART NO.	DESCRIPTION
1	385311251	KIT, 90° ELBOW FITTING
2	385311077	KIT, DIPTUBE (includes item 3)
3	385311110	KIT, GROMMET, SEALING 2"
4	313255247	TANK SAVER, 1- $\frac{1}{2}$ " (includes item 3)
5	385250020	KIT, CAP (includes item 6)
6	385311250	KIT, O-RING, 3- $\frac{1}{2}$ " OD X $\frac{3}{16}$ "
7	385311252	KIT, FLANGED ADAPTER FITTING
8	385311073	KIT, VENT ELBOW BARBED
9	385311112	KIT, GROMMET SEALING $\frac{3}{4}$ "



Dometic Corporation - Sanitation Systems  
13128 State Rt. 226, P.O. Box 38  
Big Prairie, OH 44611-0038 USA  
Telephone: 330-496-3211  
Fax: 330-496-3097  
Email: sealand@dometicusa.com

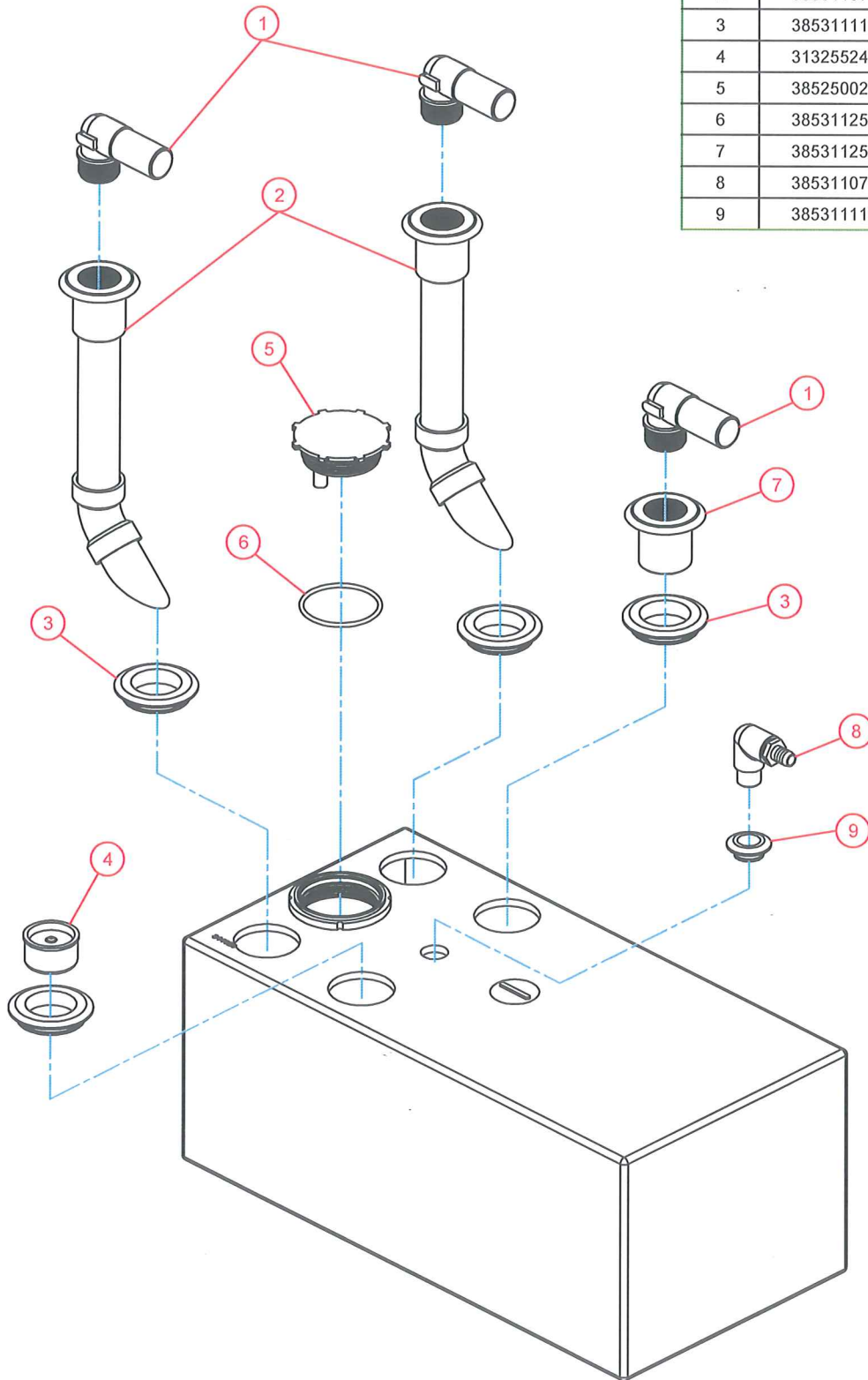
# PARTS LIST: MODEL 322840202 HTS BASIC

ITEM	PART NO.	DESCRIPTION
1	385311251	KIT, 90° ELBOW FITTING
2	385311078	KIT, DIPTUBE
3	385311110	KIT, GROMMET SEALING 2"
4	313255247	TANK SAVER, 1-1/2" (includes item 3)
5	385250020	KIT, CAP (includes item 6)
6	385311250	KIT, O-RING 3-5/8" OD X 3/16"
7	385311252	KIT, FLANGED ADAPTER FITTING
8	385311073	KIT, VENT ELBOW BARBED
9	385311112	KIT, GROMMET SEALING 3/4"



# PARTS LIST: MODEL 322840201 HTS BASIC

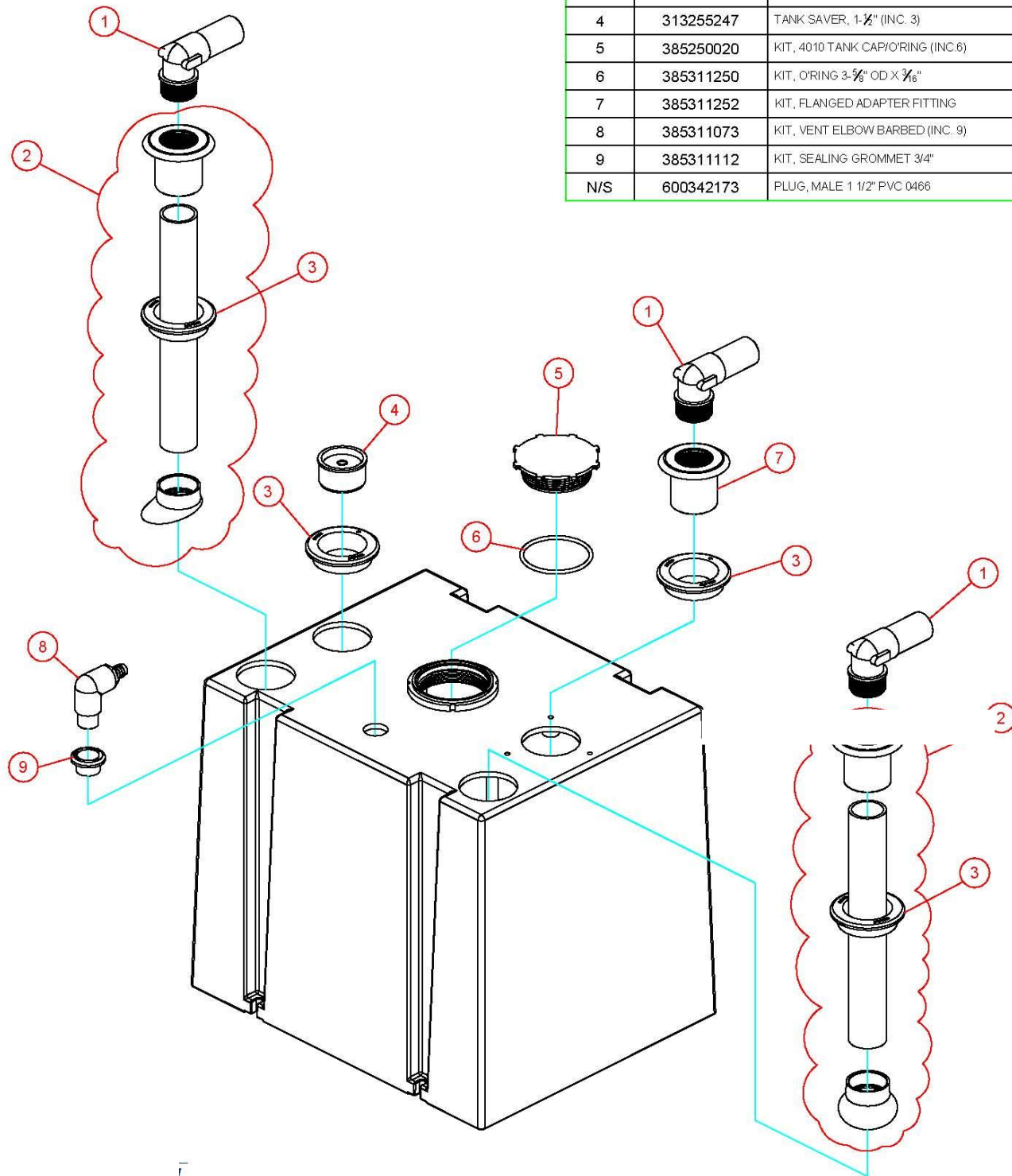
ITEM	PART NO.	DESCRIPTION
1	385311251	KIT, 90° ELBOW FITTING
2	385311076	KIT, DIPTUBE (includes item 3)
3	385311110	GROMMET, SEALING 2"
4	313255247	TANK SAVER, 1-1/2" (includes item 3)
5	385250020	KIT, CAP (includes item 6)
6	385311250	KIT, O'RING, 3-5/8" OD X 3/16"
7	385311252	KIT, FLANGED FITTING ADAPTER
8	385311073	KIT, VENT ELBOW BARBED
9	385311112	GROMMET, SEALING 1/4"



Dometic Corporation - Sanitation Systems  
 13128 State Rt. 226, P.O. Box 38  
 Big Prairie, OH 44611-0038 USA  
 Telephone: 330-496-3211  
 Fax: 330-496-3097  
 Email: sealand@dometicusa.com  
 11/13/17

# PARTS LIST: 25 GAL 322800251

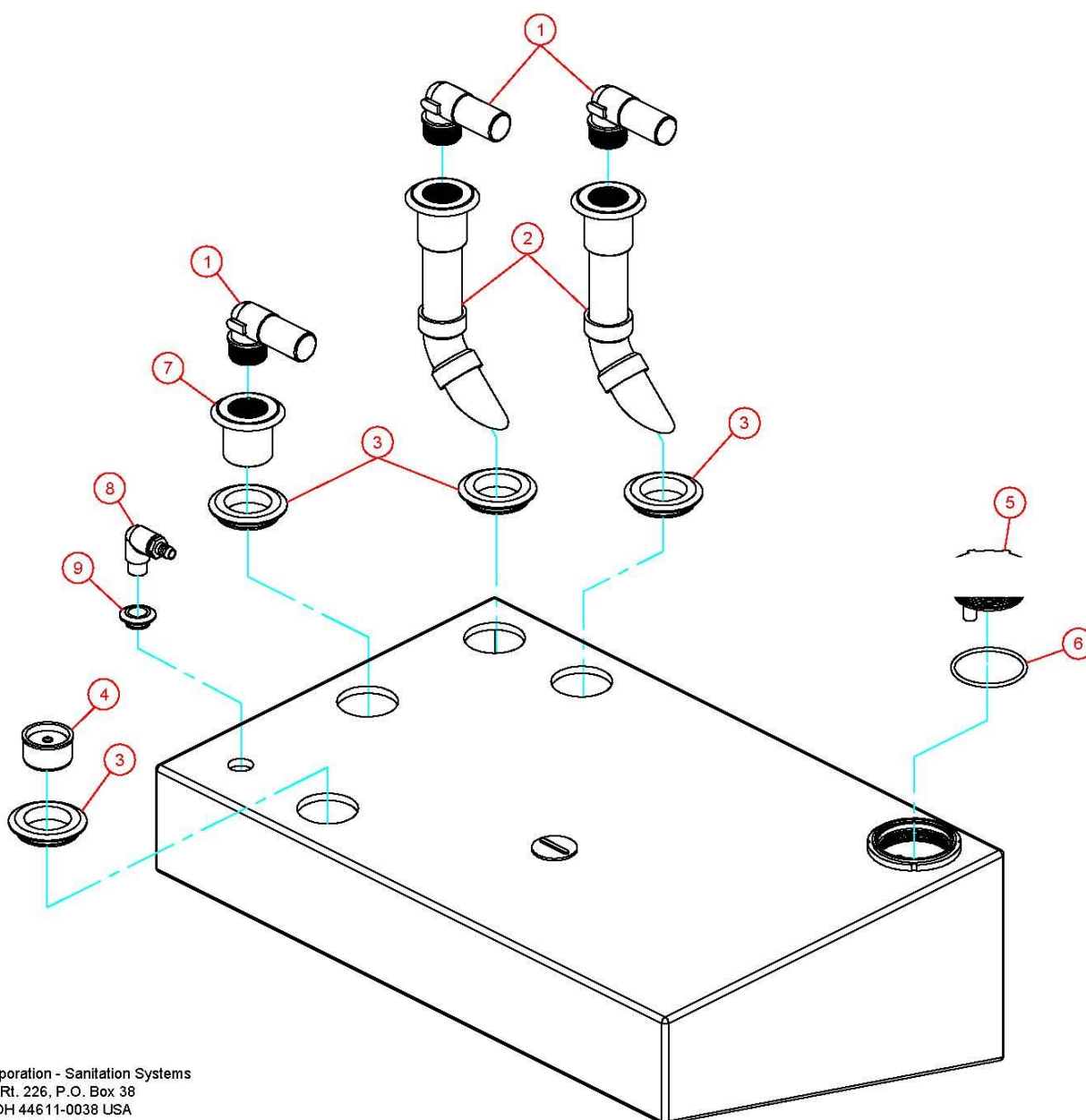
ITEM	PART NO.	DESCRIPTION
1	385311251	KIT, 90° ELBOW FITTING
2	385310660	KIT, DIP TUBE-UNIVERSAL (INC. 3)
3	385311110	KIT, SEALING GROMMET 2"
4	313255247	TANK SAVER, 1-1/2" (INC. 3)
5	385250020	KIT, 4010 TANK CAP/ORING (INC.6)
6	385311250	KIT, ORING 3-5/8" OD X 3/8"
7	385311252	KIT, FLANGED ADAPTER FITTING
8	385311073	KIT, VENT ELBOW BARBED (INC. 9)
9	385311112	KIT, SEALING GROMMET 3/4"
N/S	600342173	PLUG, MALE 1 1/2" PVC 0466





## PARTS LIST: 28 GAL 322800281

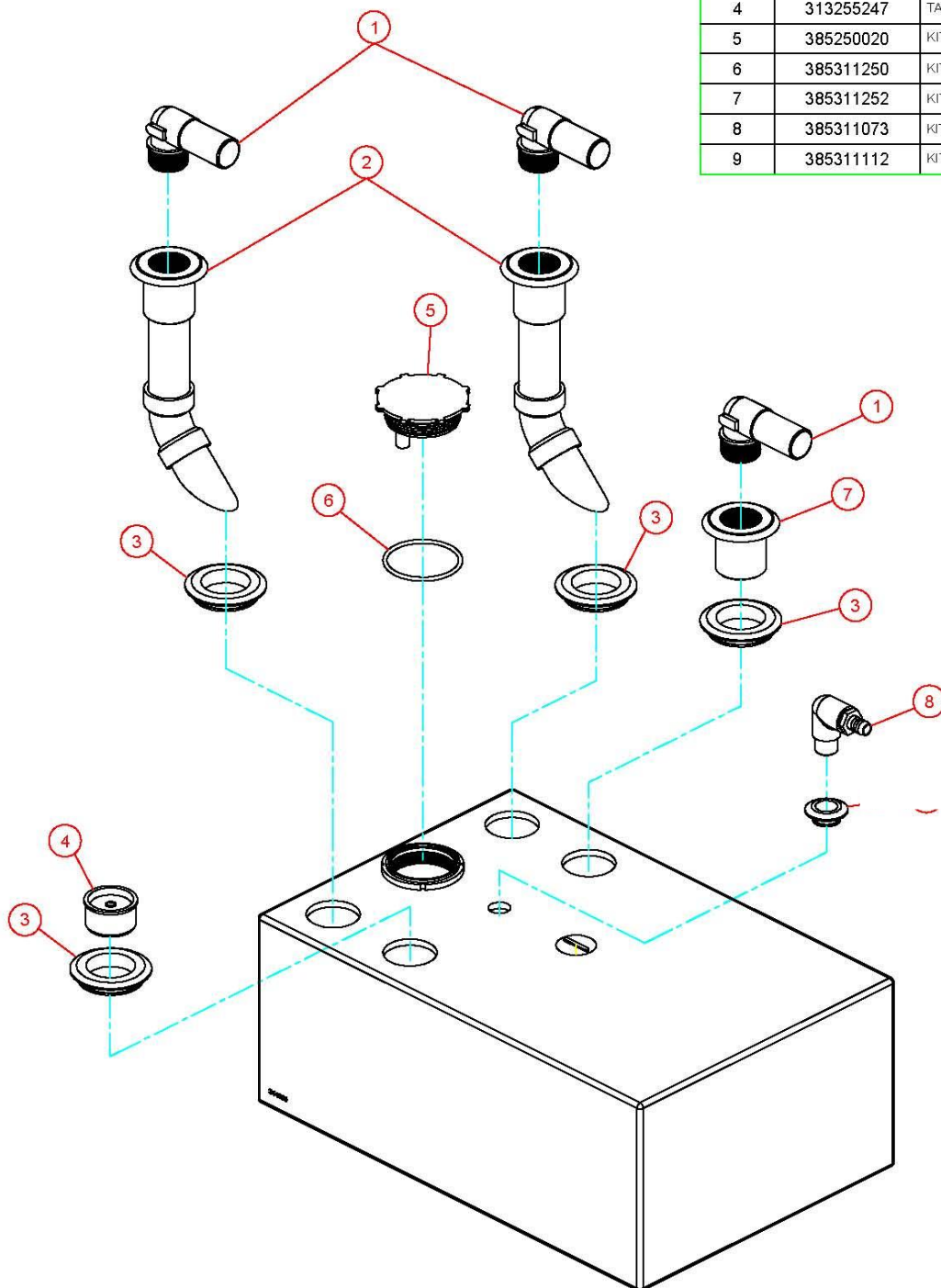
ITEM	PART NO.	DESCRIPTION
1	385311251	KIT, 90° ELBOW FITTING
2	385310660	KIT, DIPTUBE (includes item 3)
3	385311110	GROMMET, SEALING 2"
4	313255247	TANK SAVER, 1-1/2" (includes item 3)
5	385250020	KIT, CAP (includes item 6)
6	385311250	KIT, TW CAP ORING REPL
7	385311252	KIT, FLANGED ADAPTER, FITTING
8	385311073	KIT, VENT ELBOW BARBED
9	385311112	GROMMET, SEALING 3/4"



Dometic Corporation - Sanitation Systems  
13128 State Rt. 226, P.O. Box 38  
Big Prairie, OH 44611-0038 USA  
Telephone: 330-496-3211  
Fax: 330-496-3097  
Email: sealand@dometicusa.com

## PARTS LIST: MODEL 322840301 HTS BASIC

ITEM	PART NO.	DESCRIPTION
1	385311251	KIT, 90° ELBOW FITTING
2	385311078	KIT, DIPTUBE
3	385311110	KIT, GROMMET SEALING 2"
4	313255247	TANK SAVER, 1-1/2" (includes item 3)
5	385250020	KIT, CAP (includes item 6)
6	385311250	KIT, O-RING 3-5/8" OD X 3/16"
7	385311252	KIT, FLANGED ADAPTER FITTING
8	385311073	KIT, VENT ELBOW BARBED
9	385311112	KIT, GROMMET SEALING 3/4"

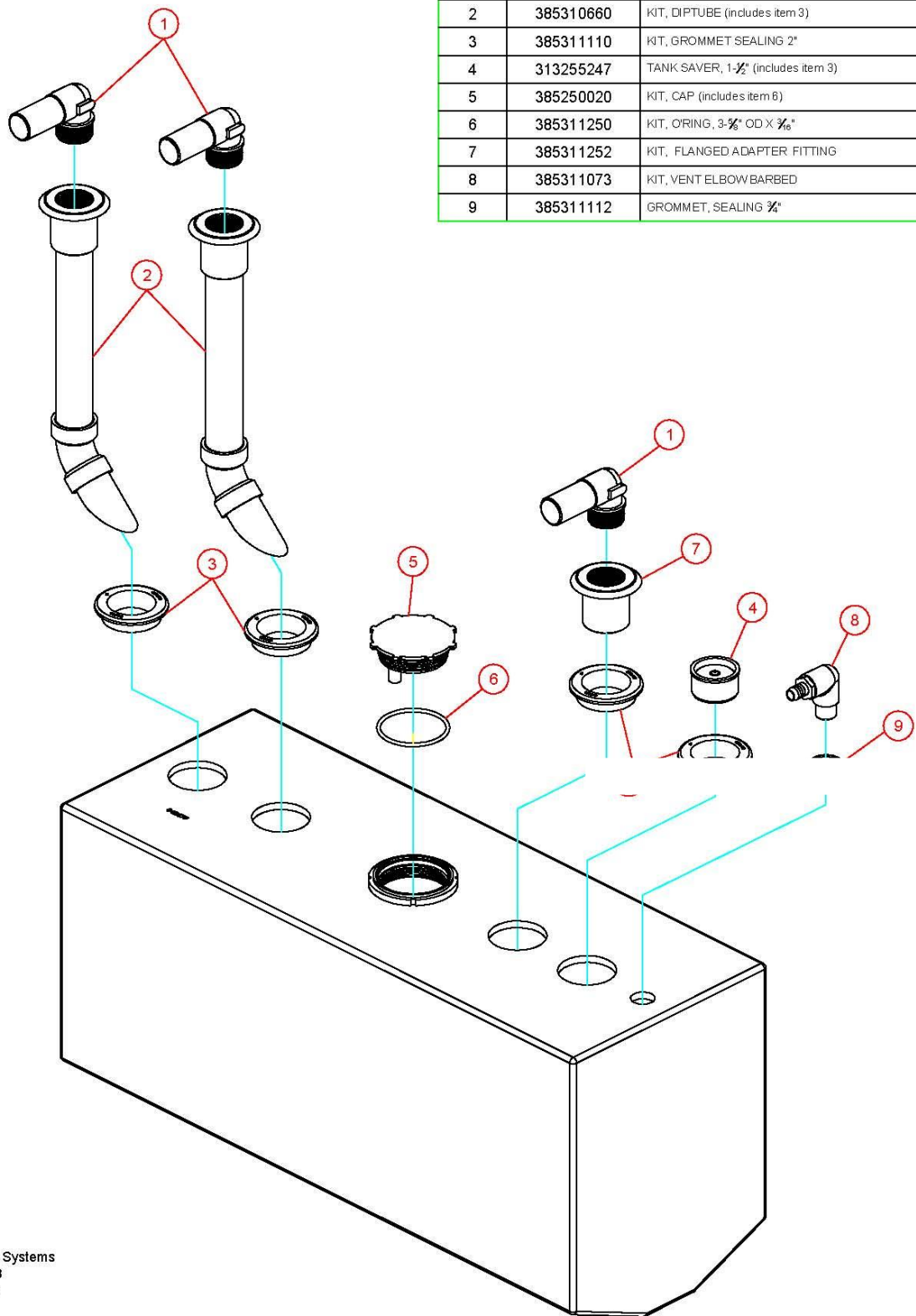


Dometic Corporation - Sanitation Systems  
13128 State Rt. 226, P.O. Box 38  
Big Prairie, OH 44611-0038 USA  
Telephone: 330-496-3211  
Fax: 330-496-3097  
Email: sealand@dometicusa.com



# PARTS LIST: 35 GAL BASIC 322800351

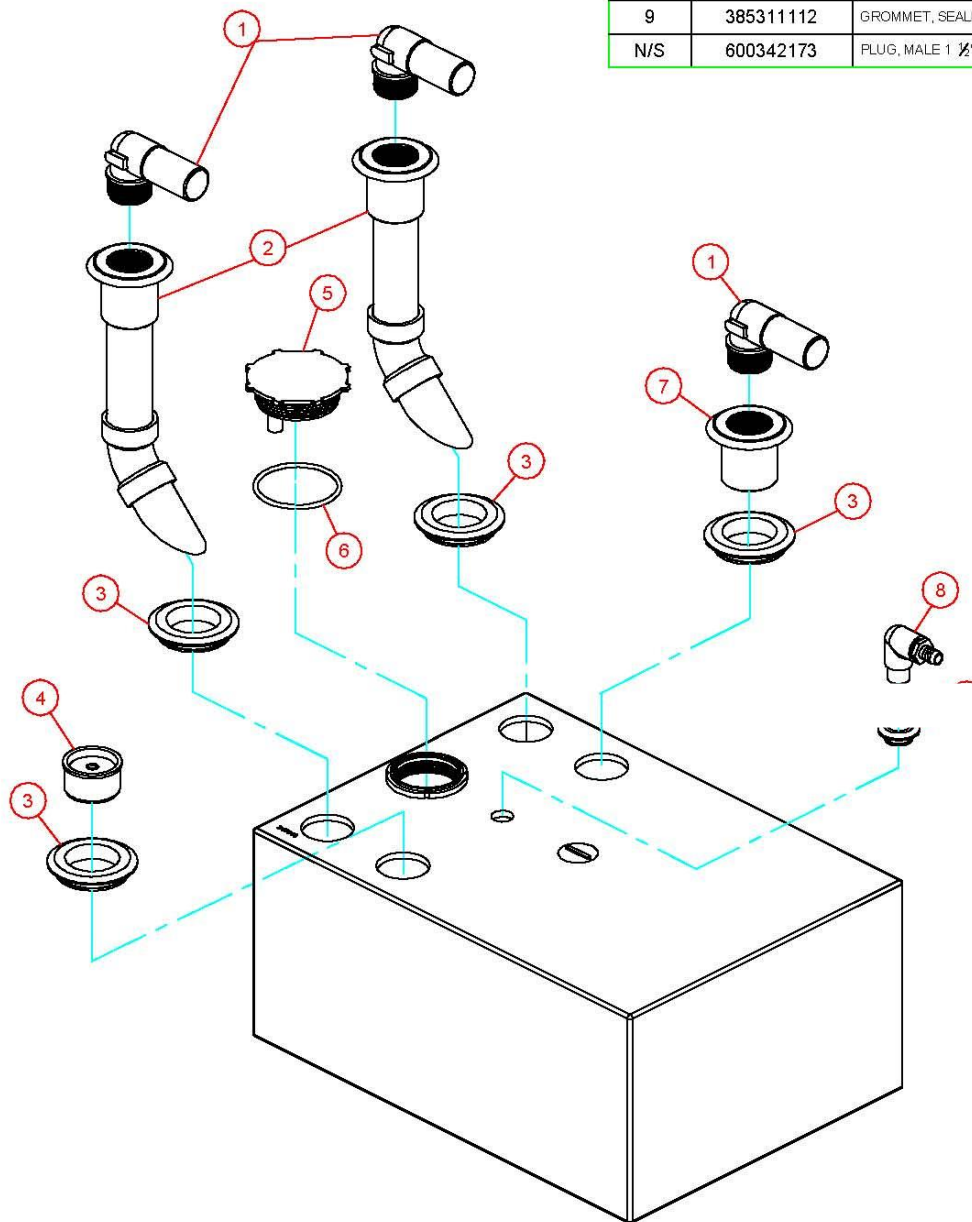
ITEM	PART NO.	DESCRIPTION
1	385311251	KIT, 90° ELBOW FITTING
2	385310660	KIT, DIPTUBE (includes item 3)
3	385311110	KIT, GROMMET SEALING 2"
4	313255247	TANK SAVER, 1-1/2" (includes item 3)
5	KIT, CAP (includes item 6)	
6	385311250	KIT, O'RING, 3-3/8" OD X 3/16"
7	385311252	KIT, FLANGED ADAPTER FITTING
8	385311073	KIT, VENT ELBOW BARBED
9	385311112	GROMMET, SEALING 3/4"



Dometic Corporation - Sanitation Systems  
 13128 State Rt. 226, P.O. Box 38  
 Big Prairie, OH 44611-0038 USA  
 Telephone: 330-496-3211  
 Fax: 330-496-3097  
 Email: sealand@dometicusa.com

## PARTS LIST: MODEL 322840401 HTS BASIC

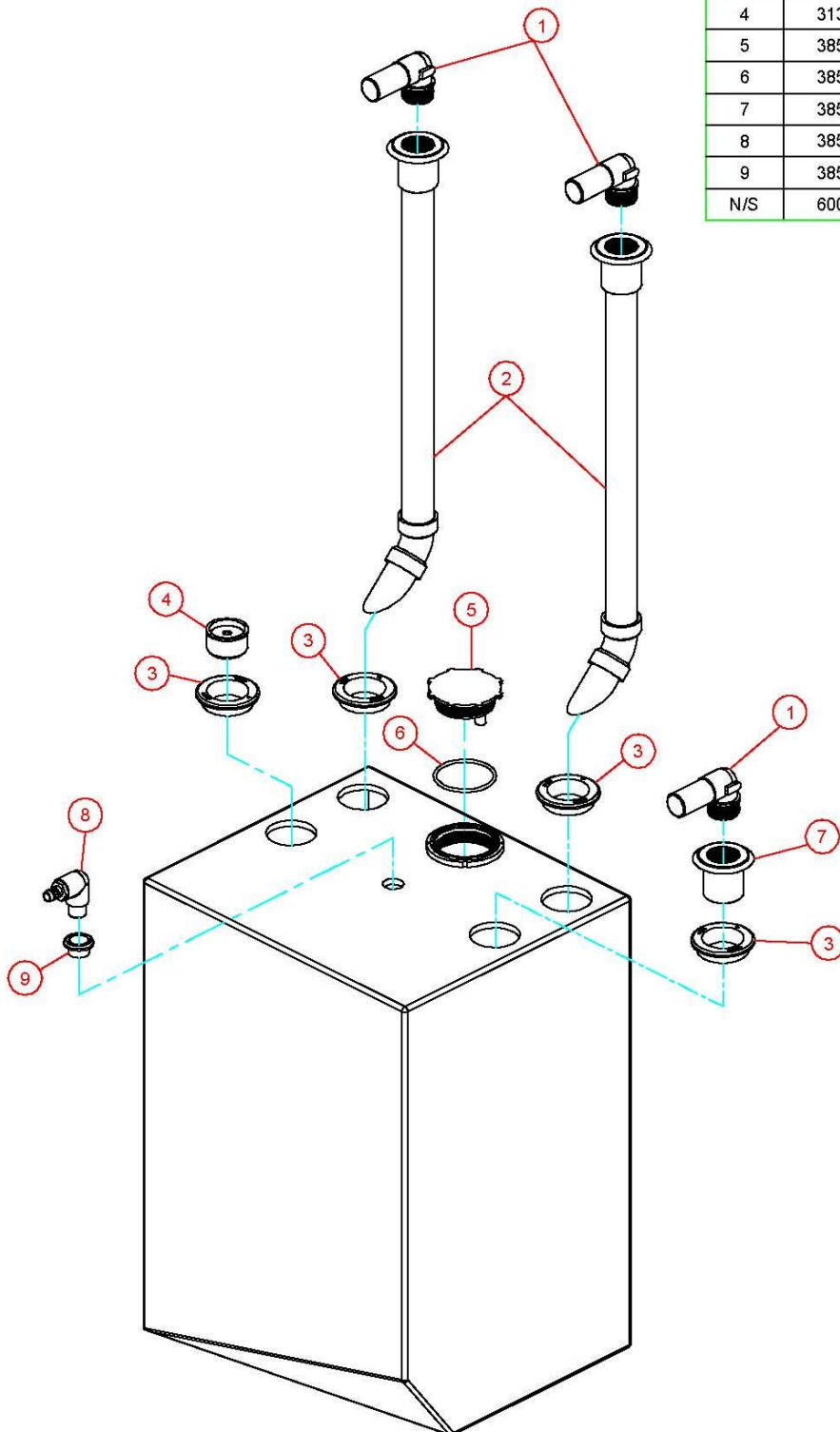
ITEM	PART NO.	DESCRIPTION
1	385311251	KIT, 90° ELBOW FITTING
2	385311078	KIT, DIPTUBE
3	385311110	GROMMET, SEALING 2"
4	313255247	TANK SAVER, 1- 1/2" (includes item 3)
5	385250020	KIT, CAP (includes item 6)
6	385311250	KIT, TW CAP ORING REPL
7	385311252	ADAPTER, FLANGED FITTING
8	385311073	KIT, VENT ELBOW BARBED
9	385311112	GROMMET, SEALING 3/4"
N/S	600342173	PLUG, MALE 1 1/2" PVC



Dometic Corporation - Sanitation Systems  
13128 State Rt. 226, P.O. Box 38  
Big Prairie, OH 44611-0038 USA  
Telephone: 330-496-3211  
Fax: 330-496-3097  
Email: sealand@dometicusa.com

## PARTS LIST: MODEL 322850501 HTS BASIC

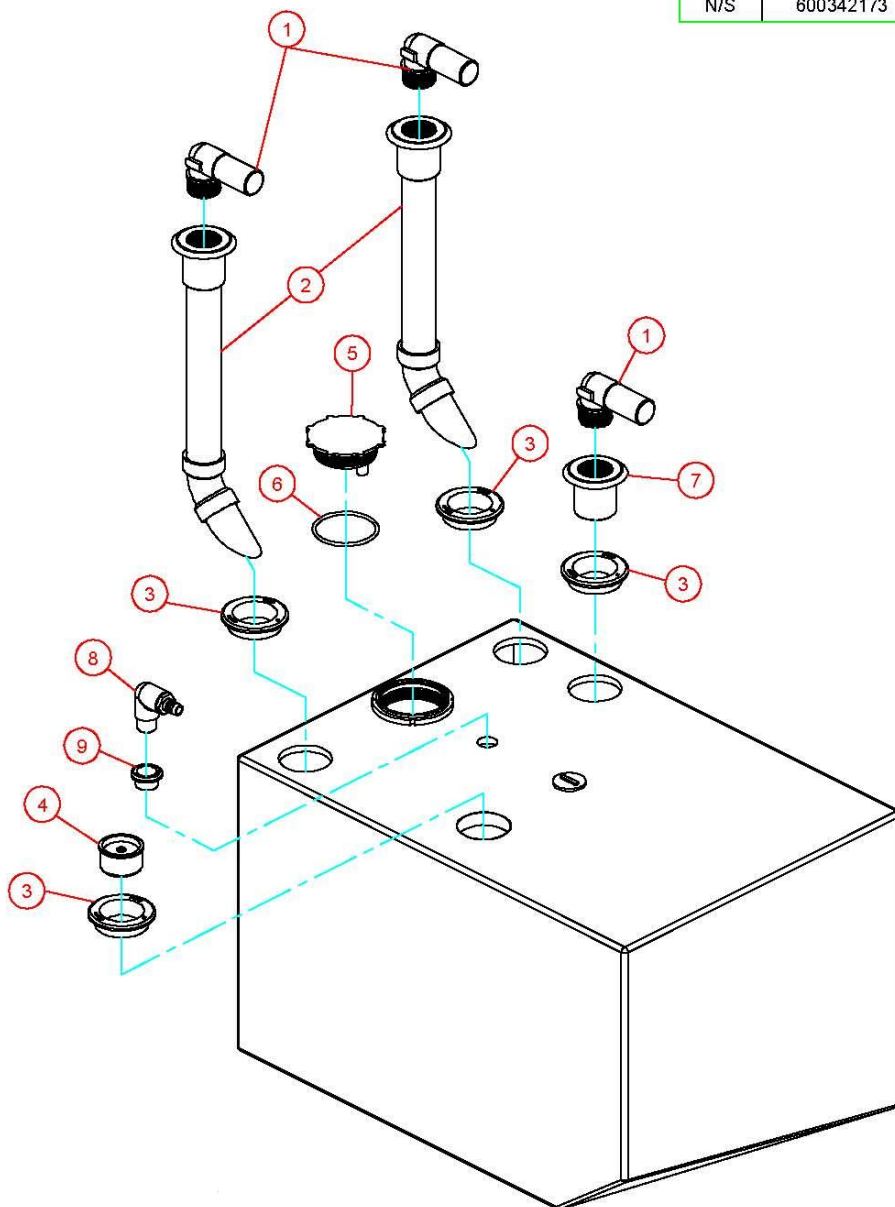
ITEM	PART NO.	DESCRIPTION
1	385311251	KIT, 90° ELBOW FITTING
2	385310660	KIT, DIPTUBE (includes item 3)
3	385311110	GROMMET, SEALING 2"
4	313255247	TANK SAVER, 1-1/2" (includes item 3)
5	385250020	KIT, CAP (includes item 6)
6	385311250	KIT, O'RING 3-5/8" OD X 3/16"
7	385311252	KIT, FLANGED ADAPTER FITTING
8	385311073	KIT, VENT ELBOW BARBED
9	385311112	GROMMET, SEALING 3/4"
N/S	600342173	PLUG, MALE 1 1/2" PVC



Dometic Corporation - Sanitation Systems  
13128 State Rt. 226, P.O. Box 38  
Big Prairie, OH 44611-0038 USA  
Telephone: 330-496-3211  
Fax: 330-496-3097  
Email: sealand@dometicusa.com

## PARTS LIST: MODEL 322850502 HTS BASIC

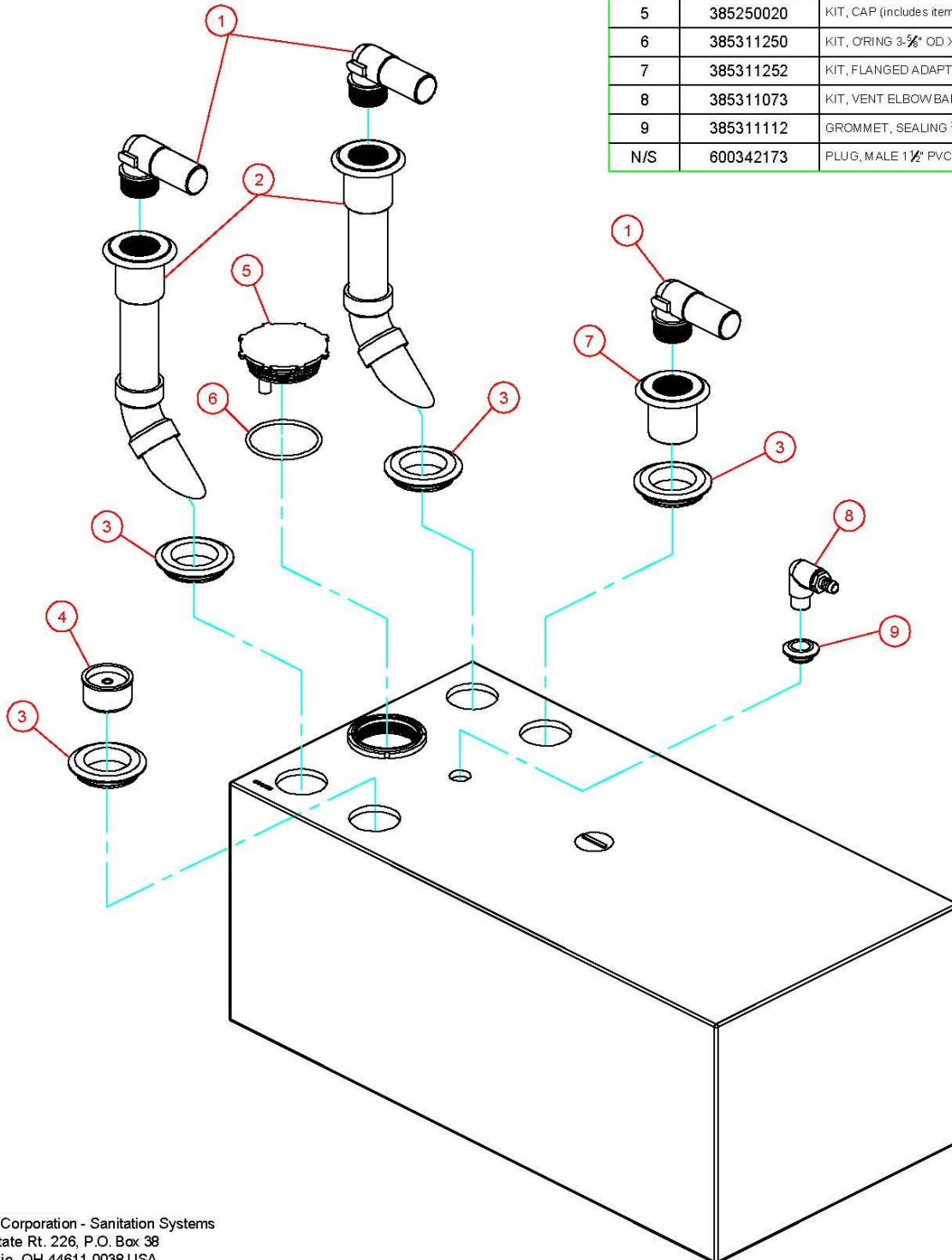
ITEM	PART NO.	DESCRIPTION
1	385311251	KIT, 90° ELBOW FITTING
2	385310660	KIT, DIPTUBE (includes item 3)
3	385311110	GROMMET, SEALING 2"
4	313255247	TANK SAVER, 1-1/2" (includes item 3)
5	385250020	KIT, CAP (includes item 6)
6	385311250	KIT, O'RING 3-5/8" OD X 3/16"
7	385311252	KIT, FLANGED ADAPTER FITTING
8	385311073	KIT, VENT ELBOW BARBED (includes item 9)
9	385311112	GROMMET, SEALING 3/4"
N/S	600342173	PLUG, MALE 1/2" PVC



Dometic Corporation - Sanitation Systems  
13128 State Rt. 226, P.O. Box 38  
Big Prairie, OH 44611-0038 USA  
Telephone: 330-496-3211  
Fax: 330-496-3097  
Email: sealand@dometicusa.com

## PARTS LIST: MODEL 322840551 HTS BASIC

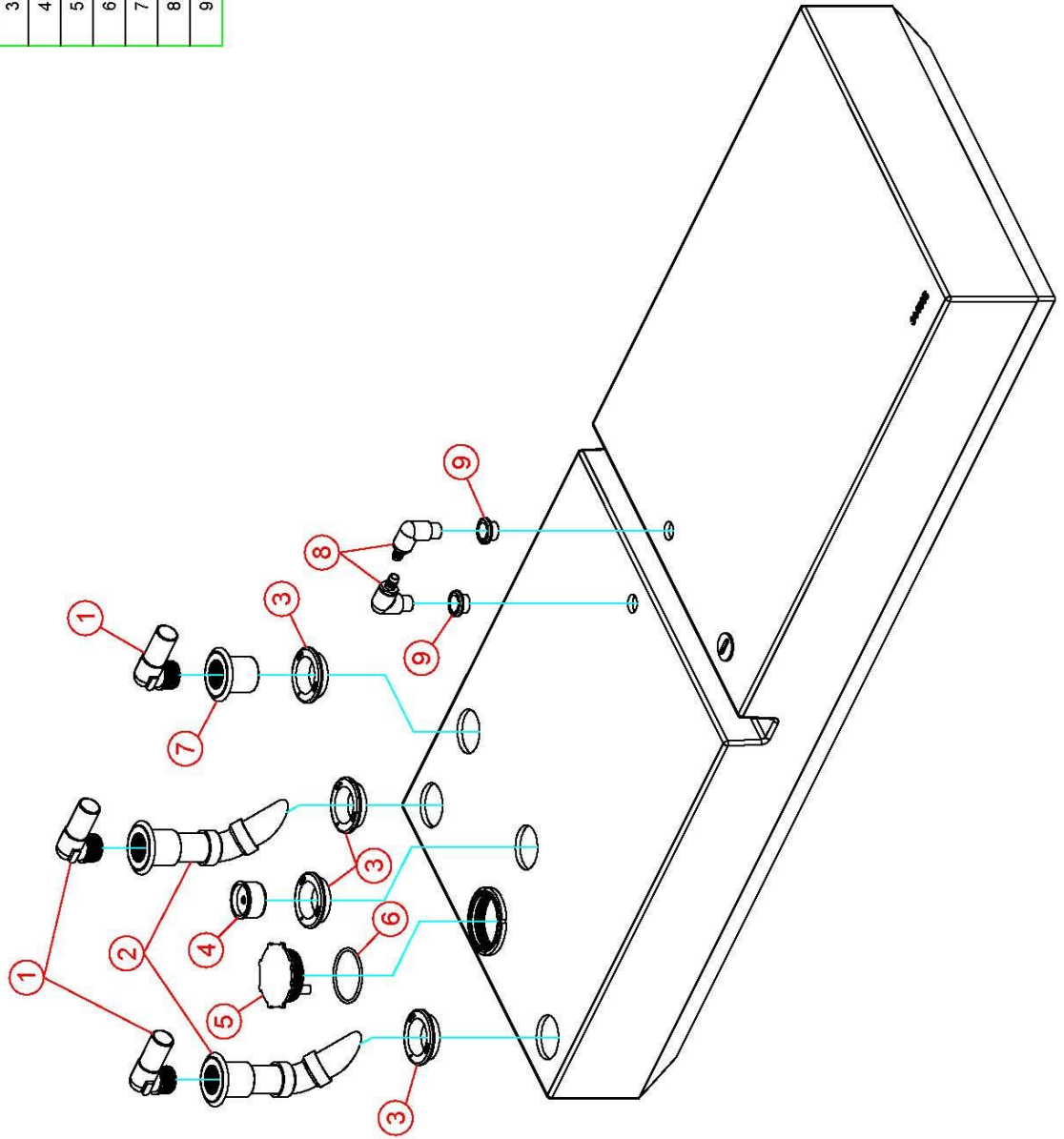
ITEM	PART NO.	DESCRIPTION
1	385311251	KIT, 90° ELBOW FITTING
2	385310660	KIT, DIPTUBE (includes item 3)
3	385311110	GROMMET, SEALING 2"
4	313255247	TANK SAVER, 1-1/2" (includes item 3)
5	385250020	KIT, CAP (includes item 6)
6	385311250	KIT, O'RING 3-3/8" OD X 3/16"
7	385311252	KIT, FLANGED ADAPTER FITTING
8	385311073	KIT, VENT ELBOW BARBED
9	385311112	GROMMET, SEALING 3/4"
N/S	600342173	PLUG, MALE 1 1/2" PVC





## PARTS LIST: HD TANK 80G HULL-BASIC

ITEM	PART NO.	DESCRIPTION
1	385311251	KIT, 90° ELBOW FITTING
2	385310660	KIT, DIPTUBE (includes item 3)
3	385311110	GROMMET, SEALING 2"
4	360255247	TANK SAVER, 1-1/2" (includes item 3)
5	385250020	KIT, CAP (includes item 6)
6	385311250	KIT, TW/CAP ORING REPL
7	385311252	KIT, FLANGED ADAPTER FITTING
8	385311073	KIT, VENT ELBOW BARBED (includes item 9)
9	385311112	GROMMET, SEALING 3/4"



Dometic Corporation - Sanitation Systems  
13128 State Rt. 226, P.O. Box 38  
Big Prairie, OH 44611-0038 USA  
Telephone: 330-496-3211  
Fax: 330-496-3097  
Email: sealand@dometicusa.com





13128 State Route 226  
Big Prairie, Ohio 44611 USA  
Phone 330.439.5550  
Fax 330.496.3097  
Email [sanitationorders@dometic.com](mailto:sanitationorders@dometic.com)  
Web [www.dometic.com](http://www.dometic.com)

RPG Effective 1-1-2018