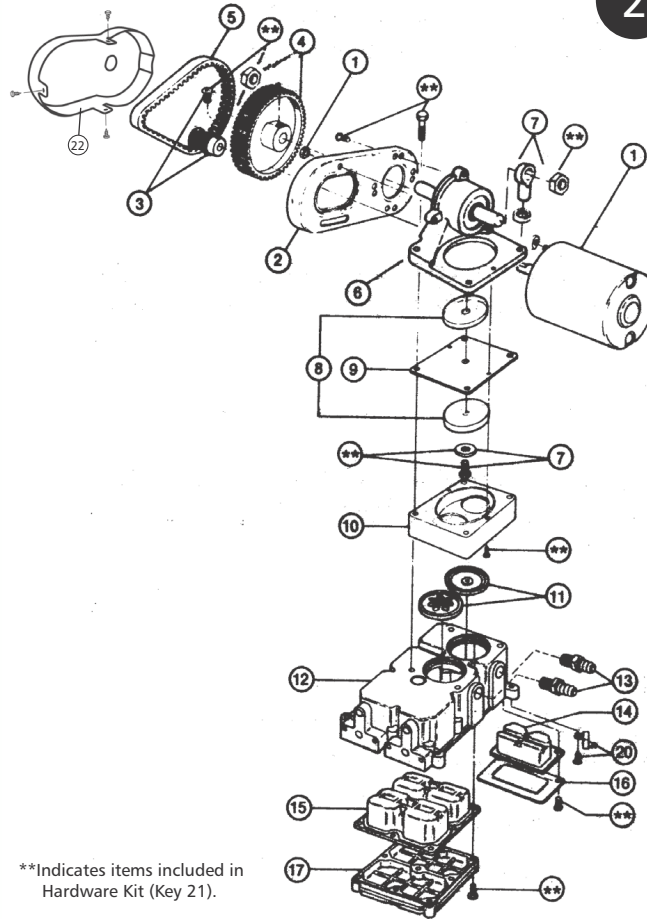


## EXPLODED VIEW

2



\*\*Indicates items included in Hardware Kit (Key 21).

### PARTS LIST

Key	Part Description	Part Number	Qty
1	Motor Kit 12 Volt DC	30200-0000	1
	Motor Kit 24 Volt DC	30200-0010	
	Motor Kit 115 Volt AC	30200-0050	
2	Motor Mount	34628-0000	1
3	Small Pulley	37169-0000	1
4	Large Pulley	37171-0001	1
5	Belt	30022-0000*	1
6	Jack Shaft Assembly	35691-0001 – See note 1	1
7	Connecting Rod Kit	37173-0001 – See note 1	1
8	Diaphragm Plate	35212-0000	2
9	Diaphragm	30016-0000*	1
10	Retainer	35173-0000	1
11	Valve Set (Inlet & Outlet)	30003-0000*†	1 Set
12	Base Assembly †	35630-1100	1
13	Ports (Inlet & Outlet)	37175-0000†	1
14	Small Pulsation Dampener	37177-0000*†	1
15	Pulsation Dampener	37178-0000*†	1
16	Small Bottom Plate	35628-0000†	1
17	Bottom Plate	35623-0000†	1
20	Vibration Pad Kit	37180-0000†	1
21	Hardware Kit	37165-0000	1 Set
22	Belt Guard	35691-0001 – See note 1 & 2	1
	Service Kit *	30124-0000	1 Set

\* Indicates Parts Contained in Service Kit.

† Indicates Parts supplied with Base Assembly.

**NOTE 1** – Jack shaft assembly kit, with part number ending in -0001 includes new style connecting rod (37173-0001) with a 5/16" diameter hole and two (2) locknuts. Previous model pumps use a connecting rod (37173-0000) with a 1/4" diameter hole and a bolt.

**NOTE 2:** Belt Guard only included with Jack Shaft Assembly (P/N 35691-0001), Belt Guard retrofit not available for old models.