



Float Switches

The Next Generation

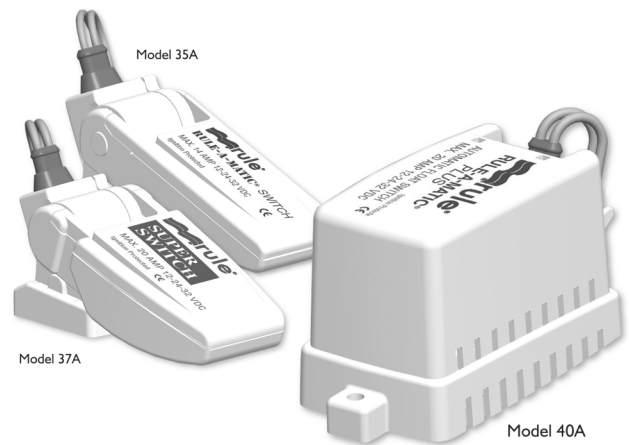
Models 35A, 35FA, 37A, 37FA, 40A, 40FA

Features

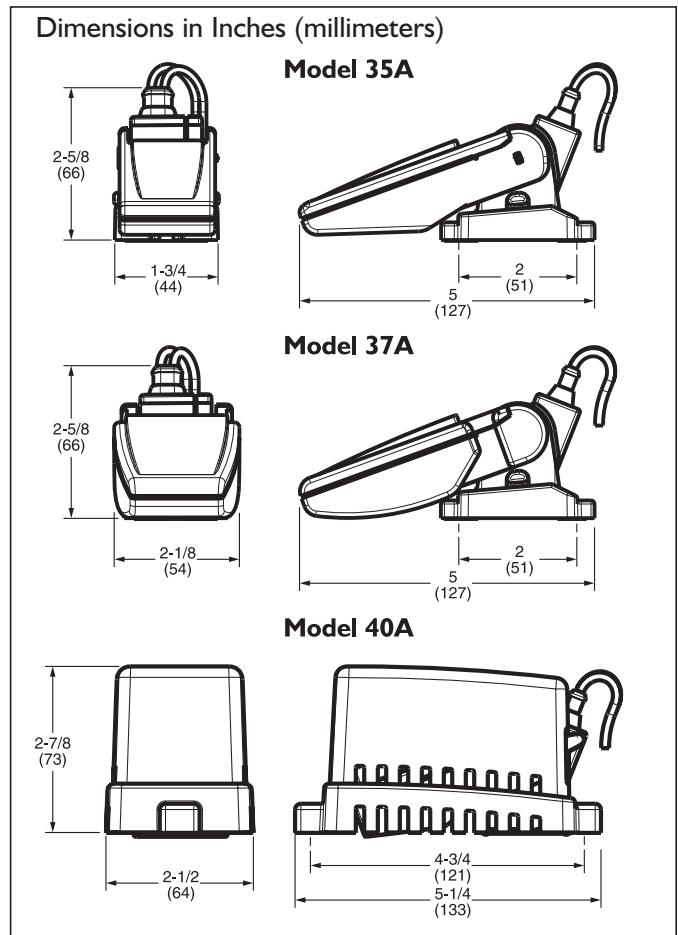
- Patent pending snap switch design
- Snap switch tested to over 1,000,000 cycles @ 12V
- Highly abrasion resistant marine grade blocked wire
- Exclusive moisture tight seals
- Environmentally friendly mercury free design.

Models

Model	Description	Max. Current @ 12V DC
35A	Rule-a-Matic	14A
35FA	Rule-a-Matic with fuse holder	14A
37A	Super Switch	20A
37FA	Super Switch with fuse holder	20A
40A	Rule-a-Matic covered switch	20A
40FA	Rule-a-Matic covered switch with fuse holder	20A



Dimensional Drawings



Installation Instructions

The Rule-a-Matic, Super Switch, and Rule-a-Matic Plus float switches are suitable for any submersible bilge pump with an operating current rating as listed below.

Voltage	Maximum Current Rating	
	Rule-a-Matic	Super Switch / Rule-a-Matic Plus
12V	14A	20A
24V	7A	10A
32V	n/a	6.5A

All switches will turn the pump on when the water level reaches 2" (51mm) and will turn the pump off when water level falls to 3/4" (19mm). They can also be used to operate high water alarm systems.

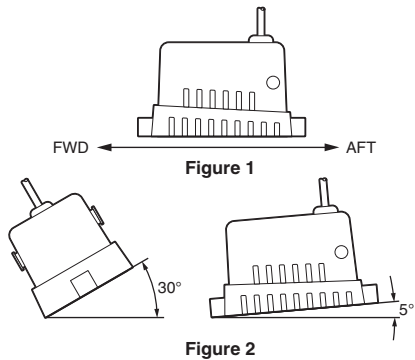
This product must be fused with the correct recommended fuse size for the pump to which it is connected. Do NOT use these switches in applications where the pump is operating above the maximum current in the table above.

Specifications

Model	Voltage	Wire Size	Wire Length	Max. Amps	Guard	Warranty
35A	12/24/32 VDC	16 Gauge (1.29mm)	28" (712 mm)	14	No	2 Years
37A	12/24/32 VDC	14 Gauge (1.63mm)	28" (712 mm)	20	No	5 Years
40A	12/24/32 VDC	14 Gauge (1.63mm)	28" (712 mm)	20	Yes	2 Years

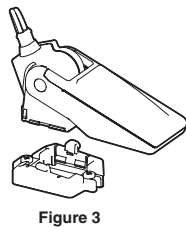
Mounting Instructions

For best operation, the Rule switch should be located on a flat surface in the bilge compartment. Do not exceed the installation angles as described in the diagrams below as this will affect switch performance.

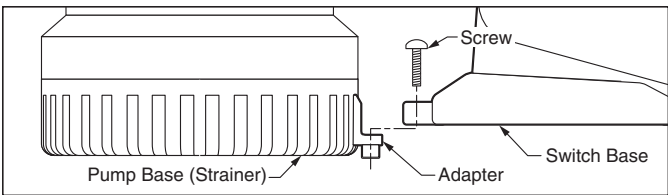


It is important that the switch is mounted 1/4" (6mm) above the bottom of the pump strainer. This will assure a positive shut off of the pump.

1. Position the switch parallel to the vessel's water line with the wire exiting the switch toward the stern.
2. For models 35A, 35FA, 37A, 37FA, unclip the switch base and attach base to the surface using suitable stainless steel screws. Re-clip switch into base (see Figure 3).
3. For models 40A and 40FA partially fit one screw in place and slide the switch into place before fitting second screw.
4. Ensure there is free movement of the float.



The Rule Switch may be mounted directly on to non automatic Rule pumps that accept an adapter (pumps with capacity of 1500 GPH (5678 lph) or greater). Rule adapters (model 64 and 65) are also available separately.



IMPORTANT KEEP ALL WIRE CONNECTIONS ABOVE THE HIGHEST WATER LEVEL. WIRES SHOULD BE SEALED WITH A WATERPROOF MARINE SEALANT TO PREVENT WIRE CORROSION!

Electrical Installation

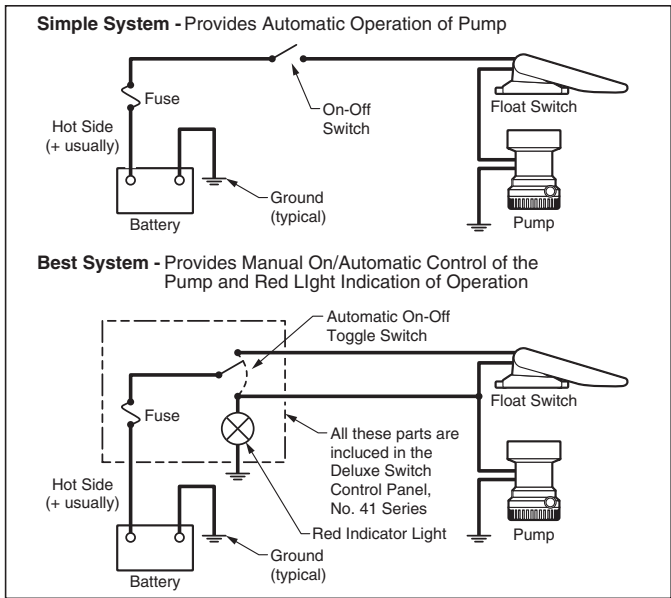
Wire the Rule switch as shown in the diagrams below. The positive (+) side of the battery should connect directly to the fuse (note models 35FA, 37FA, and 40FA include a fuse holder). Adding a fuse will prevent damage to both the pump and switch should an electrical problem occur. When adding additional wire up to 20 ft (6m), the wire added should be the same size (gauge) or larger than the size of the wire leads coming directly from the pump. For installations requiring over 20 ft (6m) of additional wire, the size of the added wire should be increased (e.g. if pump is fitted with 14 gauge, added wire should be increased to 12 gauge (2.05mm)).

! IMPORTANT THIS PRODUCT SHOULD BE FUSED WITH THE RECOMMENDED FUSE SIZE FOR THE PUMP TO WHICH IT IS CONNECTED!

Operation

Rule float switches are designed to automatically turn the bilge pump on and off as required. If it is desired to pump the water level even lower, the pump can be operated by a 3-way Rule panel switch (models 41,42, and 43) in the "manual" mode (see below diagram for illustration). To test the operation of the 40A /40FA switch and pump, press down on the lever located in the back of the switch. This will lift the float mechanism, which will turn on the bilge pump. Periodically clean any accumulated debris from around the switch or integral switch guard. This will allow free flow of water to the float.

Wiring Diagrams



xylem
Let's Solve Water

USA
Rule
100 Cummings Center, Ste 535-N
Beverly, MA 01915
Tel: 978-281-0440
Fax: 978-283-2619

UNITED KINGDOM
Rule
Bingley Road, Hoddesdon
Hertfordshire EN11 0BU
Tel: +44 (0) 1992 450145
Fax: +44 (0) 1992 467132

www.rule-industries.com