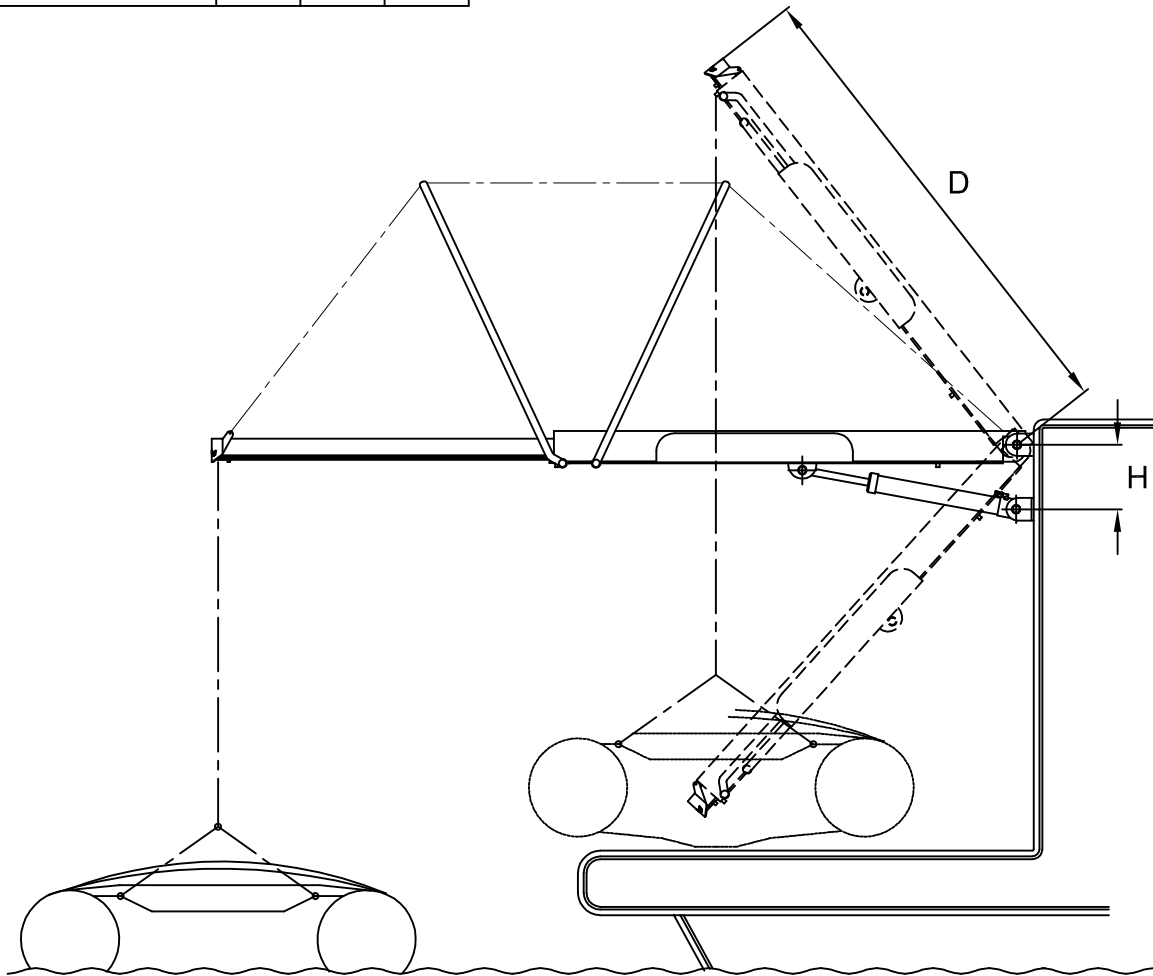
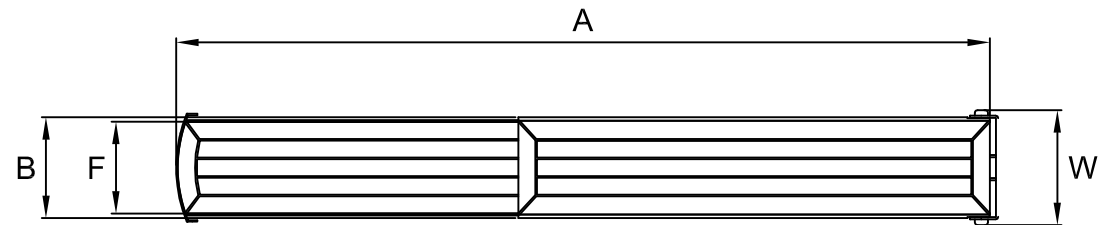


Lifting capacity (Kg)	200	180	150
A (mm)	2250	2500	2900
B (mm)	360	360	360
D (mm)	1350	1530	1730
F (mm)	327	327	327
H (mm)	230	230	230
W (mm)	410	410	410
Weight (Kg)	54	65	70



Product

PI 461

Hydraulic External Passerelle