



MARCH PUMPS

1819 PICKWICK AVE., GLENVIEW, IL 60026-1306, U.S.A
 PHONE: (847) 729-5300 - FAX: (847) 729-7062
 WWW.MARCHPUMP.COM

DESCRIPTION:

Series 5 are centrifugal magnetic drive pumps, eliminating the need for a shaft seal. All are serviceable with a screwdriver.

Model Abbreviations: C: Threaded Inlet/Outlet, A: Smooth Inlet/Outlet, AC: Air Cooled

OPERATION:

Pumps are not self-priming, lack a suction lift, and thus require a **flooded suction**. Pumps **cannot be run dry** because the impeller requires the liquid being pumped for lubrication. For liquids with a specific gravity greater than water, have a higher viscosity, or for elevated temperatures, a trimmed impeller may be necessary. For application assistance, contact March Pump.

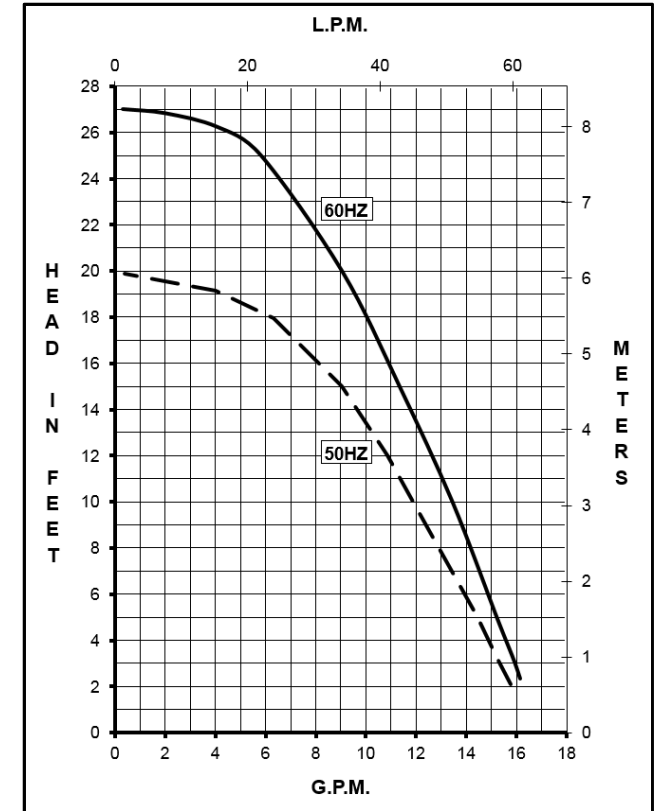
ELECTRICAL:

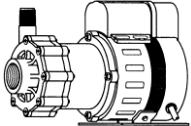
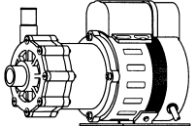
Models are either 115 Volt or 230 Volt and have a 3 ft (0.9 m) Cord. Models have U.L. listed motors, which are rated for continuous duty.

LIMITED WARRANTY:

March pumps are guaranteed only against defects in workmanship or materials for a period of one year from date of manufacture pumping water. For the complete warranty and to register online go to www.marchpump.com/warranty-registration

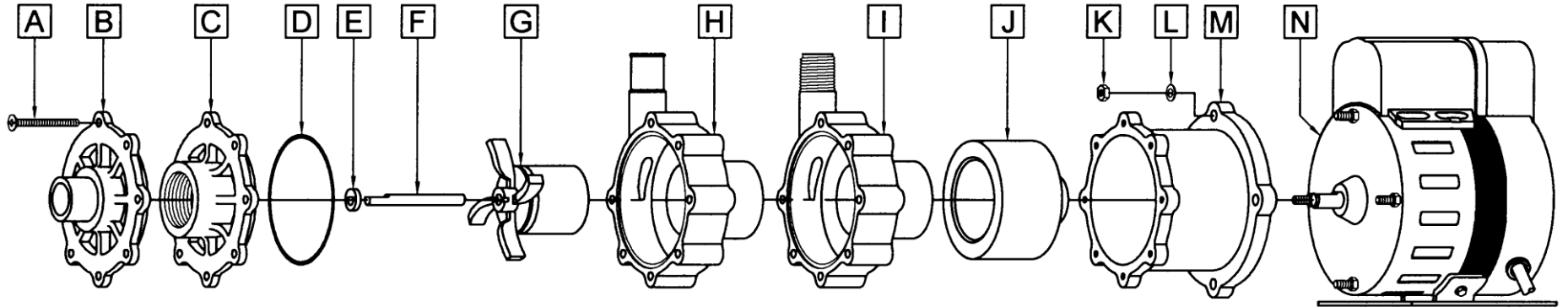
AC-5C-MD, AC-5A-MD



| SPECIFICATIONS | | AC-5C-MD | | | | | | | | | | | | | | AC-5A-MD | | | | | | | | | | | | | | |
|------------------------|----------------|-------------------------------------------------------------------------------------|----------|------|-----|------------------|------------|------------|-----|-------|------|------------------|-----|------|-----|---------------------------------------------------------------------------------------|----|------------|------------|-------|-------|--------|--------|---------------|--------|------|--------|------|------|------|
| | |  | | | | | | | | | | | | | |  | | | | | | | | | | | | | | |
| Product # | 115 V 230 V | 0150-0026-0100 0150-0136-0100 | | | | | | | | | | | | | | 0150-0170-0100 0150-0170-0200 | | | | | | | | | | | | | | |
| Inlet - Outlet | | 1" FPT - 1/2" MPT | | | | | | | | | | | | | | 1" OD - 3/4" OD | | | | | | | | | | | | | | |
| Max Internal Pressure | | 50 psi (344 kPa) | | | | | | | | | | | | | | 50 psi (344 kPa) | | | | | | | | | | | | | | |
| Max Liquid Temperature | | 190 °F (87 °C) | | | | | | | | | | | | | | 190 °F (87 °C) | | | | | | | | | | | | | | |
| MODEL | Max Flow | | Max Head | | | 60 Hz ELECTRICAL | | | | | | 50 Hz ELECTRICAL | | | | | | Height | | Width | | Length | | Packed Weight | | | | | | |
| | gpm | lpm | ft | psi | m | Ph | V | A | Hp | kW | Rpm | gpm | lpm | ft | psi | m | Ph | V | A | Hp | kW | Rpm | Inches | cm | Inches | cm | Inches | cm | lbs | kg |
| AC-5C-MD | 17 | 64.4 | 27 | 11.7 | 8.2 | 1 | 115 230 | 2.1 1.0 | 1/8 | 0.093 | 3450 | 15.9 | 60 | 19.7 | 8.5 | 6 | 1 | 115 230 | 2.1 1.0 | 1/8 | 0.093 | 2850 | 6.19 | 15.7 | 4.52 | 11.4 | 9.27 | 23.5 | 8.55 | 3.87 |
| AC-5A-MD | 17 | 64.4 | 27 | 11.7 | 8.2 | 1 | 115 230 | 2.1 1.0 | 1/8 | 0.093 | 3450 | 15.9 | 60 | 19.7 | 8.5 | 6 | 1 | 115 230 | 2.1 1.0 | 1/8 | 0.093 | 2850 | 6.19 | 15.7 | 4.52 | 11.4 | 9.83 | 24.9 | 8.55 | 3.87 |

All specifications & data are based on pumping water & are intended as a guideline only. Specifications may vary with different motors.

PARTS LIST



| # | DESCRIPTION | MATERIAL | SIZE (Inches) | QTY. | AC-5C-MD | AC-5A-MD |
|----|------------------------|------------------------------------------------------|---------------------|------|----------------|----------------|
| A | Screw | Stainless | #8-32 x 1-3/4 Lg. | 7 | 0150-0021-1000 | |
| B | Cover | Polypropylene | 1 FPT Inlet | 1 | 0150-0032-1000 | |
| C | Cover | Polypropylene | 1 OD Inlet | 1 | | 0150-0150-1000 |
| D1 | "O" Ring | Buna N | 0.078 CS x 2.834 ID | 1 | 0750-0987-1000 | |
| D2 | "O" Ring (Option) | Viton | 0.078 CS x 2.834 ID | 1 | 0750-0986-1000 | |
| D3 | "O" Ring (Option) | Viton/Teflon | 0.070 CS x 3-1/8 OD | 1 | 0150-0171-1000 | |
| E | Thrust Washer | Ceramic | | 1 | 0130-0028-1000 | |
| F | Shaft | Ceramic | | 1 | 0130-0024-1000 | |
| G1 | Impeller | Polypropylene w/Ceramic Magnet | | 1 | 0150-0030-0100 | |
| G2 | Impeller (Option) | Polypropylene w/Ceramic Magnet & Carbon Bushing | | 1 | 0150-0030-0700 | |
| G3 | Impeller (Option) | Polypropylene w/Ceramic Magnet & Mica Teflon Bushing | | 1 | 0150-0030-0800 | |
| H | Rear Housing | Polypropylene w/Ceramic Thrust Washer | 3/4 OD Outlet | 1 | | 0150-0159-0100 |
| I | Rear Housing | Polypropylene w/Ceramic Thrust Washer | 1/2 MPT Outlet | 1 | 0150-0031-0100 | |
| J | Drive Magnet | | | 1 | 0150-0081-0100 | |
| K | Nut (Hex) | Stainless | #10-32 | 4 | 0625-0024-1000 | |
| L | Washer | Stainless | #10 | 4 | 0802-0006-1000 | |
| M | Motor Bracket | Plastic | | 1 | 0150-0070-0100 | |
| N | Motor, 115 V, 50/60 Hz | | | 1 | 0150-0027-1000 | |
| | Motor, 230 V, 50/60 Hz | | | 1 | 0150-0040-1000 | |
| W | Wet End Kit AC-5C-MD | Items (A, B, D1, E, F, G1, I) | | 1 | 0150-0147-0200 | |

Materials in Contact with Solution:

Polypropylene, Ceramic, Buna N, & Ceramic Magnet

NOTE: Contact Factory for other materials and/or parts not listed.

0150-0074-1000 R18