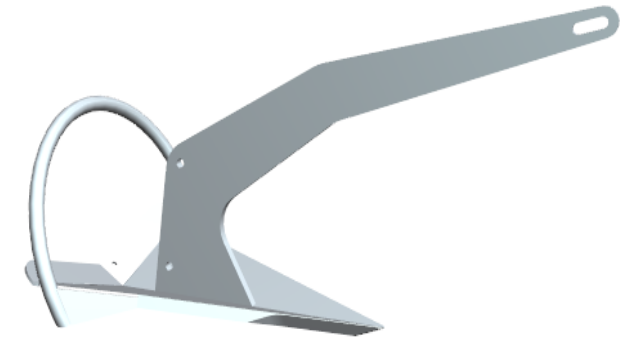
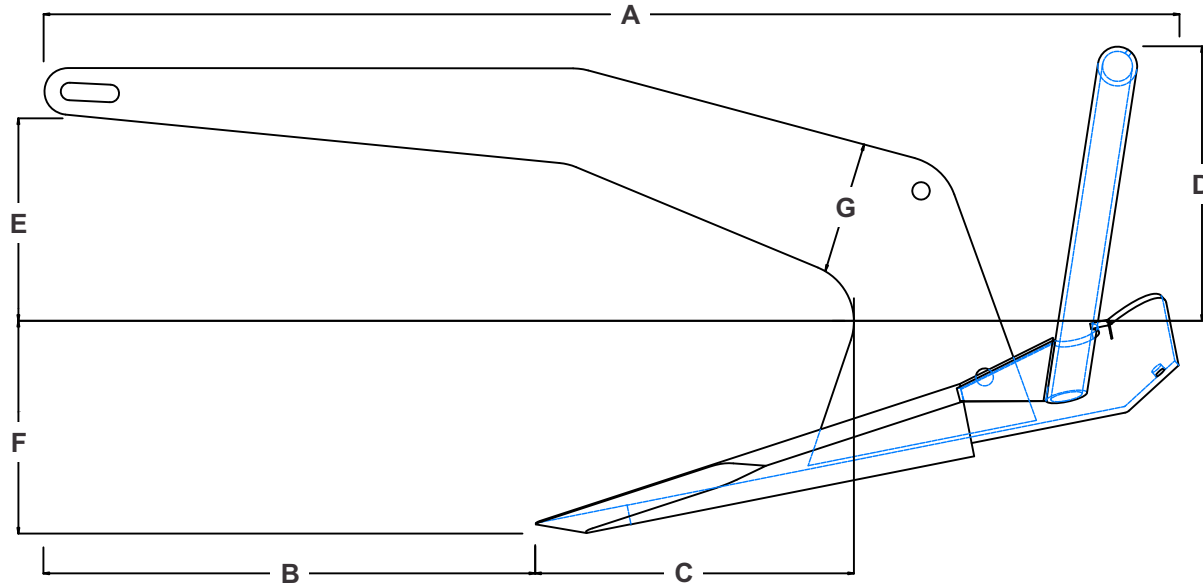




# rocna anchor dimensions



Model	Weight		Blade Area		A		B		C		D		E		F		G		Width	
	Kg	lb	cm <sup>2</sup>	in <sup>2</sup>	mm	inches	mm	inches	mm	inches	mm	inches	mm	inches	mm	inches	mm	inches	mm	inches
4	4	9	458	71	547	21.5	234	9.2	154	6.1	133	5.2	96	3.8	103	4.1	75	3.0	275	10.8
6	6	13	590	91	630	24.8	270	10.6	170	6.7	150	5.9	102	4.0	123	4.8	80	3.1	315	12.4
10	10	22	795	123	724	28.5	312	12.3	204	8.0	174	6.9	130	5.1	133	5.2	90	3.5	365	14.4
15	15	33	1030	160	830	32.7	360	14.2	235	9.3	205	8.1	145	5.7	156	6.1	100	3.9	415	16.3
20	20	44	1136	176	864	34.0	373	14.7	244	9.6	220	8.7	162	6.4	158	6.2	110	4.3	435	17.1
25	25	55	1413	219	971	38.2	420	16.5	275	10.8	233	9.2	175	6.9	184	7.2	115	4.5	485	19.1
33	33	73	1694	263	1066	42.0	485	19.1	280	11.0	254	10.0	180	7.1	206	8.1	120	4.7	532	20.9
40	40	88	1943	301	1142	45.0	520	20.5	300	11.8	278	10.9	188	7.4	224	8.8	130	5.1	570	22.4
55	55	121	2300	357	1235	48.6	560	22.0	323	12.7	306	12.0	225	8.9	226	8.9	150	5.9	620	24.4
70	70	154	2690	417	1338	52.7	607	23.9	354	13.9	330	13.0	240	9.4	250	9.8	155	6.1	670	26.4
110	110	243	3330	516	1490	58.7	675	26.6	390	15.4	352	13.9	265	10.4	286	11.3	180	7.1	745	29.3
150	150	331	4627	717	1725	67.9	779	30.7	449	17.7	416	16.4	318	12.5	317	12.5	203	8.0	867	34.1
200	200	441	5906	915	1901	74.8	859	33.8	494	19.4	462	18.2	349	13.7	351	13.8	224	8.8	953	37.5
275	275	606	6687	1036	2143	84.4	967	38.1	558	22.0	517	20.4	394	15.5	394	15.5	253	10.0	1049	41.3

**Rocna Anchors**  
[www.rocna.com](http://www.rocna.com)

This dimensions sheet is provided as a guide only and should not be used for production purposes.

We produce a quality product for a demanding market. A great deal of research and development has been invested in the Rocna anchor, and we are serious about protecting the integrity of our design.

If you become aware of a copy, clone, or other imitation anchor which is clearly based on the Rocna design, we would greatly appreciate it being brought to our attention.

Copyright © Rocna Anchors 2008 based on or incorporating earlier drawings copyright © Peter Smith 2000 - 2008. All rights reserved. The 'Kiwi-R' logo is a trademark™ and the name "Rocna" is a registered trademark®. The Rocna anchor is protected internationally including but not limited to the following. Design registration #405185 (New Zealand). Community design no. 000390687 (European Union). Industrial design #110199 (Canada). Patent D552,526 (USA).

Be aware that if you choose to ignore this intellectual property notice and misuse this document, you will be violating the copyright laws of your state in addition to any patent and/or design protection.