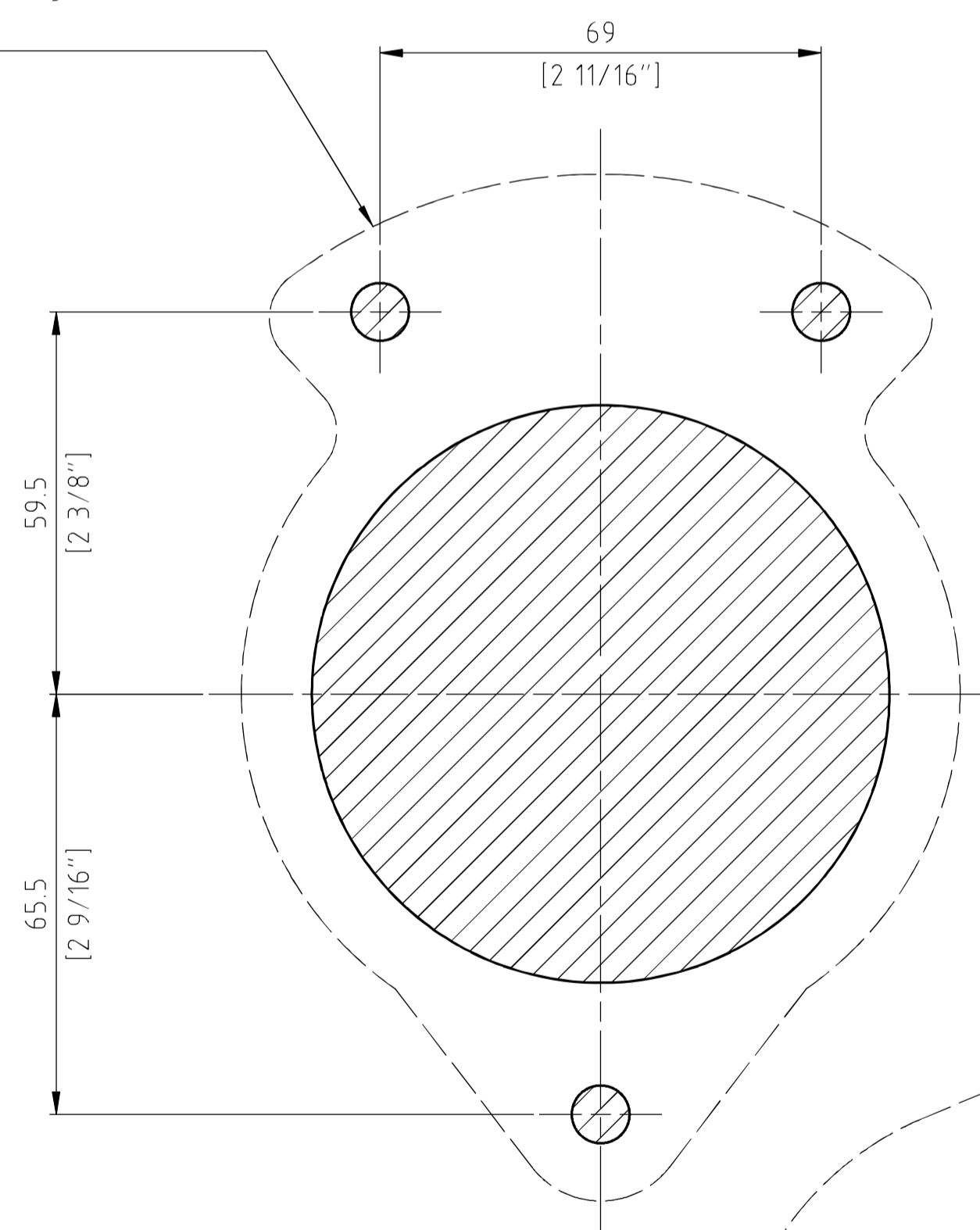
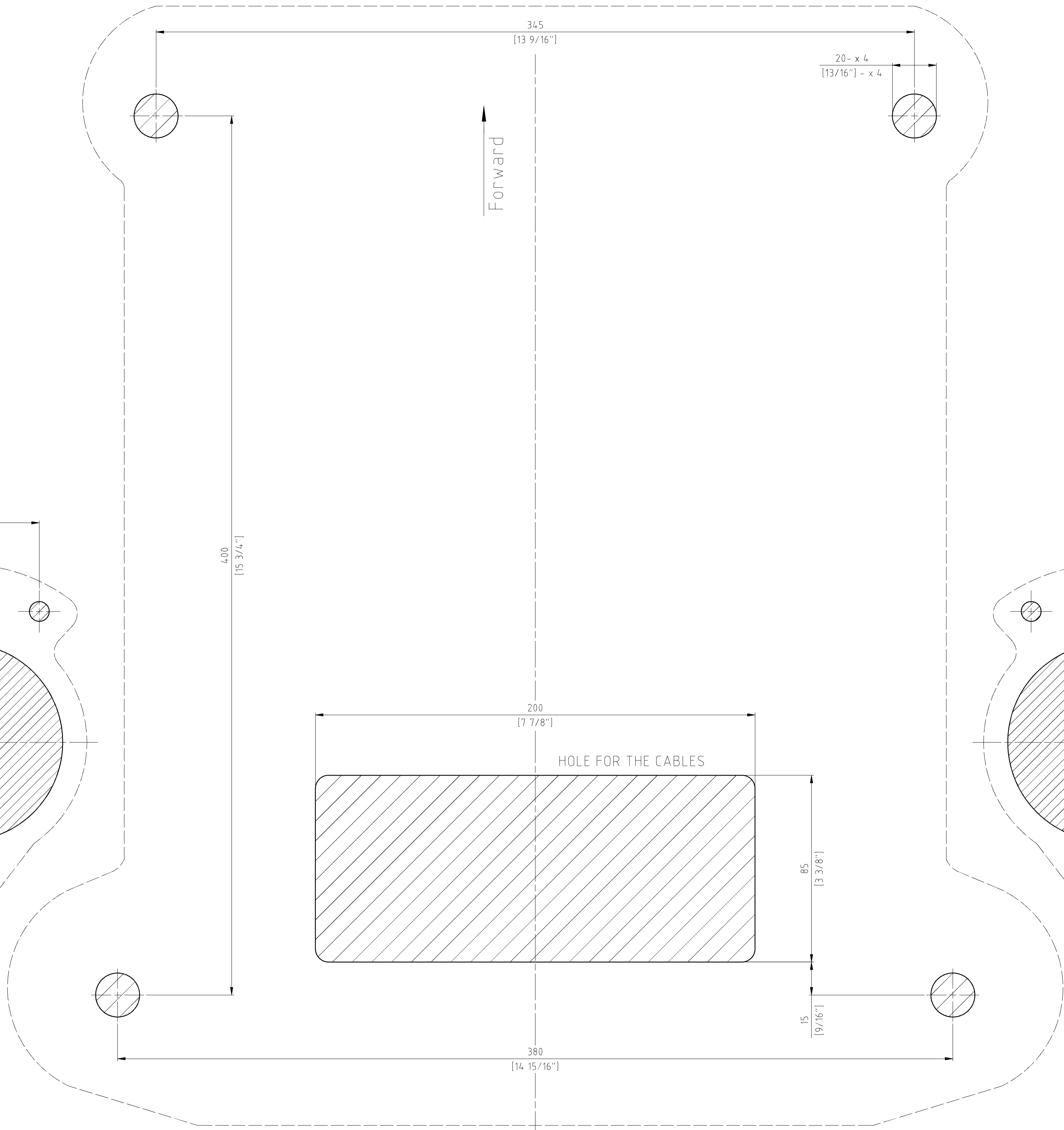
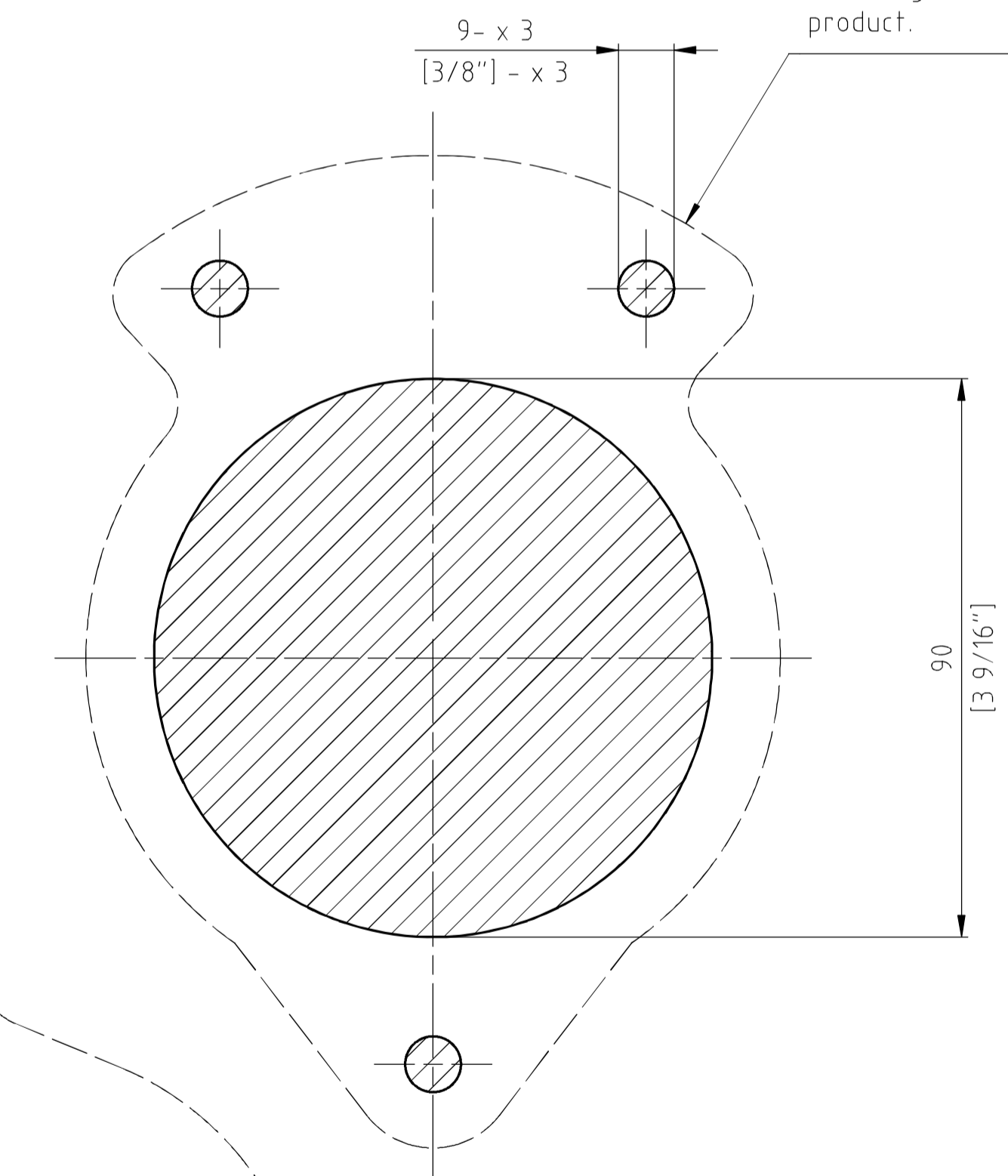


Chain-pipe for models:  
"Super Ercole B and E".  
Note: Check the chain-pipe position  
following the configuration of the  
product.



Chain-pipe for models:  
"Super Ercole A - B - C and D".  
Note: Check the chain-pipe position  
following the configuration of the  
product.



**WARNING!** Drawing could be not to scale once printed  
please verify the dimensions of the print out are correct  
prior to start the installation of the windlass

- Overall dimension
- Cutout line