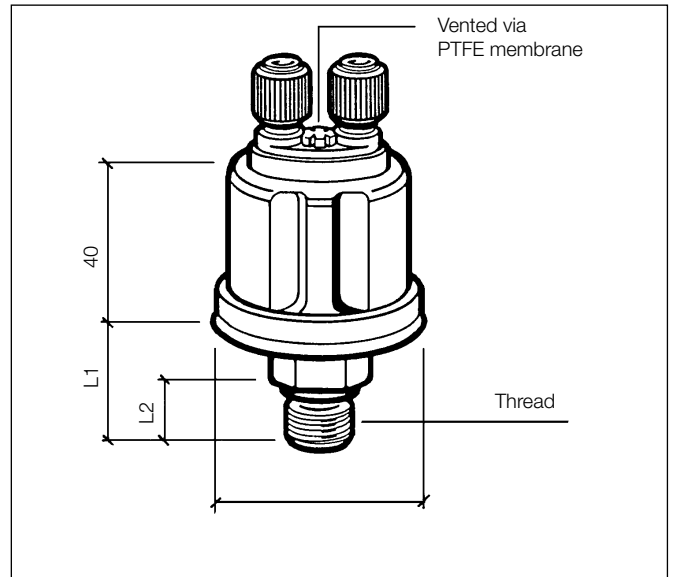
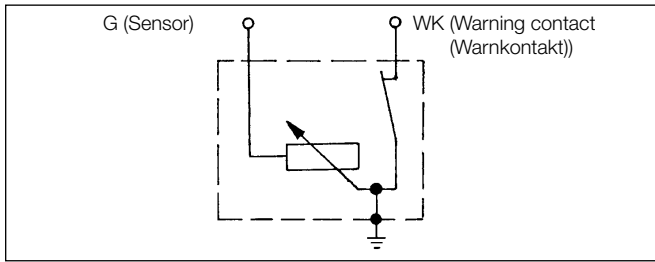


## 2.2.2 Pressure Sensors with Warning Contact, Common Ground

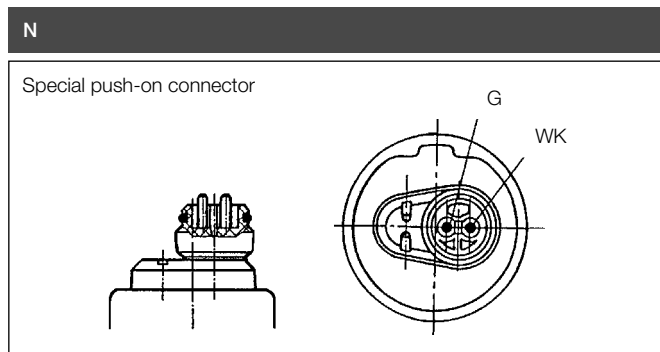
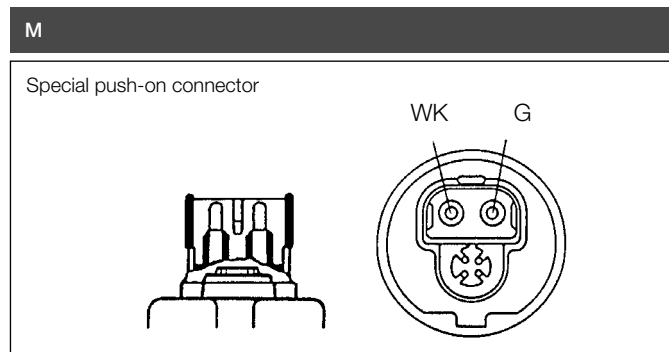
### Circuit diagram



### Type of connection

<p><b>A</b></p> <p>(2x) Knurled nut, M4</p> <p>M4</p>	<p><b>B</b></p> <p>(2x) 6.3 x 0.8 mm (50°)</p> <p>M4</p>	<p><b>C</b></p> <p>WK 6.3 x 0.8 mm (50°) G 4.8 x 0.8 mm (50°)</p> <p>M4</p>	<p><b>D</b></p> <p>WK 4.8 x 0.8 mm (50°) G 6.3 x 0.8 mm (50°)</p> <p>M4</p>
<p><b>E</b></p> <p>(2x) Hexagonal nut, M4</p> <p>M4</p>	<p><b>F</b></p> <p>WK 6.3 x 0.8 mm (90°) G M4</p> <p>M4</p>	<p><b>G</b></p> <p>G 6.3 x 0.8 mm (50°)</p> <p>M4</p>	<p><b>H</b></p> <p>(2x) 6.3 x 0.8 mm</p> <p>M4</p>
<p><b>J</b></p> <p>WK 4.8 x 0.8 mm (90°) G 6.3 x 0.8 mm (90°)</p> <p>M4</p>	<p><b>K</b></p> <p>WK 6.3 x 0.8 mm (90°) G 4.8 x 0.8 mm (90°)</p> <p>M4</p>	<p><b>L</b></p> <p>Hexagonal nut, M5</p> <p>M5</p> <p>M4</p>	

## Type of connection



Part Number	Measuring range	Thread	Warning contact	Dimension		Type	bar
	[bar]		[bar]	L1 [mm]	L2 [mm]		[max. 2 sec.]
360-081-030-001C	5	M10 x 1 tapered, short	0.25 ±0.15	19.5	11	A	30
360-081-030-002C	5	M10 x 1 tapered, short	0.5 ±0.15	19.5	11	A	30
360-081-030-004C	5	M10 x 1 tapered, short	0.7 ±0.15	19.5	11	A	30
360-081-030-008C	5	M12 x 1.5	0.5 ±0.15	20.5	12	A	30
360-081-030-010C	5	1/8" - 27 NPTF	1.4 ±0.3	19.5	11	A	30
360-081-030-014C	5	M10 x 1 tapered, short	0.6 ±0.15	19.5	11	A	30
360-081-030-018C	5	M10 x 1 tapered, short	1.2 ±0.15	19.5	11	A	30
360-081-030-025C	5	M18 x 1.51	0.4 ±0.2	20.5	12	B	30
360-081-030-028C	5	M14 x 1.5	0.5 ±0.15	20.5	12	A	30
360-081-030-033C	5	M14 x 1.51	0.4 ±0.1	20.5	12	F	30
360-081-030-036C	5	M18 x 1.51	0.5 ±0.15	20.5	12	A	30
360-081-030-049C	5	1/8" - 27 NPTF	0.4 ±0.1	19.5	11	A	30
360-081-030-053C	5	M18 x 1.54	0.25 ±0.15	20.5	12	B	30
360-081-030-065K	5	R 1/8 DIN 2999	0.4 ±0.15	19.5	11	B	30
360-081-030-071C	5	M14 x 1.5 <sup>1</sup>	0.4 ±0.15	20.5	12	F	30
360-081-030-085C	5	M18 x 1.5 <sup>1</sup>	0.4 <sup>+0.2</sup>	20.5	12	C	30
360-081-030-086C	5	1/8" - 27 NPTF	0.5 <sup>+0.2</sup> -0.1	19.5	11	C	30
360-081-030-097C	5	M14 x 1.5	0.5 ±0.15	20.5	12	B	30
360-081-030-119C	5	1/8" - 27 NPTF	1.4 ±0.3	19.5	11	H	30
360-081-030-157C	5	M18 x 1.51	0.5 <sup>+0.15</sup>	20.5	12	F	30
360-081-034-002C	5	M14 x 1.5	0.25 ±0.15	20.5	12	L	30
360-081-034-004C	5	M18 x 1.5	0.25 ±0.15	20.5	12	L	30
360-081-062-002A	5	M14 x 1.51	0.4 <sup>+0.2</sup>	20.5	12	N	30
360-081-062-004A	5	M14 x 1.51	1.0 <sup>+0.2</sup>	20.5	12	N	30
360-081-030-154C*	7	1/8" - 27 NTPF	0.7 ±0.15	19.5	10	L	30
360-081-030-009C	10	M10 x 1 tapered, short	0.5 ±0.15	19.5	11	A	30
360-081-030-015C	10	1/8" - 27 NPTF	0.8 ±0.3	19.5	12	A	30
360-081-030-017C	10	M10 x 1 tapered, short	0.9 ±0.15	19.5	11	A	30
360-081-030-019C	10	M12 x 1.5	1.5 ±0.15	20.5	12	A	30
360-081-030-022C	10	M12 x 1.5	0.5 ±0.15	20.5	12	A	30
360-081-030-030C	10	M14 x 1.5	0.7 ±0.15	20.5	12	A	30
360-081-030-031C	10	M10 x 1 tapered, short	0.5 ±0.15	19.5	11	B	30
360-081-030-032C	10	M14 x 1.5	0.5 ±0.15	20.5	12	A	30
360-081-030-037C	10	M18 x 1.51	0.75 ±0.15	20.5	12	A	30
360-081-030-039C	10	M10 x 1 tapered, short	0.75 ±0.15	19.5	11	B	30

Part Number	Measuring range	Thread	Warning contact	Dimension		Type	bar
	[bar]		[bar]	L1 [mm]	L2 [mm]		[ max. 2 sec.]
360-081-030-041C	10	M10 x 1 tapered, short	2.0 ±0.3	19.5	11	A	30
360-081-030-052C	10	1/8" - 27 NPTF	0.5	19.5	11	A	30
360-081-030-063C	10	M14 x 1.5	1.0 ±0.15	20.5	12	B	30
360-081-030-070C	10	M18 x 1.5 <sup>1</sup>	0.5 ±0.15	20.5	12	B	30
360-081-030-074C	10	M18 x 1.5 <sup>1</sup>	0.5 ±0.15	20.5	12	A	30
360-081-030-075C	10	M14 x 1.5	5.0 ±0.3	20.5	12	H	30
360-081-030-078C	10	M14 x 1.5	1.0 ±0.15	20.5	12	E <sup>2</sup>	30
360-081-030-100C	10	1/8" - 27 NPTF	4.0 <sup>+0.5</sup>	19.5	11	B	30
360-081-030-107C	10	M16 x 1.5	5.5 ±0.3	20.5	12	D	30
360-081-030-112C	10	M10 x 1 <sup>1</sup>	1.35 ±0.15	18.5	10	K	30
360-081-030-122C	10	M18 x 1.5 <sup>1</sup>	0.75 ±0.15	20.5	12	D	30
360-081-030-138C	10	1/8" - 27 NPTF	1.25 <sup>+0.3</sup>	19.5	11	J	30
360-081-030-152C	10	M10 x 1 tapered, short	5.2 ±0.5	19.5	11	H	30
360-081-061-002C	10	M14 x 1.5	0.7 ±0.15	20.5	12	M	30
360-081-061-003C	10	M14 x 1.5	1.0 ±0.15	20.5	12	M	30
360-081-061-006C	10	M12 x 1.5 tapered, short	5.0 ±0.3	21.5	13	M	30
360-081-062-003C	10	M14 x 1.5 <sup>1</sup>	5.5 ±0.3	20.5	12	N	30
360-081-062-005A	10	M14 x 1.5	3.0 ±0.3	20.5	12	N	30
360-081-053-001C	25	1/8" - 27 NPTF <sup>3</sup>	15.5 <sup>+1.5</sup> <sub>-0.5</sub>	19.5	11	J	50
360-081-053-003C	25	M18 x 1.5	5.5 <sup>+1.0</sup> <sub>-0.5</sub>	20.5	12	E	50
360-081-053-004C	25	1/8" - 27 NPTF <sup>3</sup>	14.5 <sup>+1.5</sup> <sub>-0.5</sub>	19.5	11	B	50

<sup>1</sup> With sealing washer, captive

<sup>2</sup> Without M4 hexagonal nut

<sup>3</sup> With restrictor

<sup>4</sup> With attachment plate

\* Supplied on request – limited availability

Part Number	Measuring range	Thread	Warning contact	Dimension		Type	bar
	[PSI]		[PSI]	L1 [mm]	L2 [mm]		[max. 2 sec.]
360-081-030-020C	80	1/4" - 18 NPTF	8 ±2	23.8	15.3	A	30
360-081-030-023C	80	1/8" - 27 NPTF	6 ±2	19.5	11	A	30

#### Technical data

Rated voltage	6–24 V
Warning contact	CLOSES with falling pressure
Switching capacity of warning contact	Max. 5 W non-inductive
Operating temperature	-25 °C to +100 °C
Resistor range	10 Ω to 184 Ω