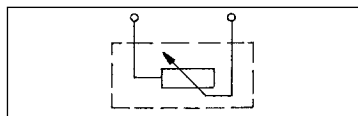
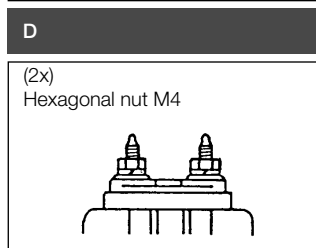
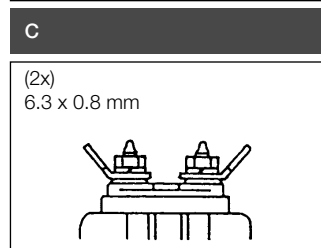
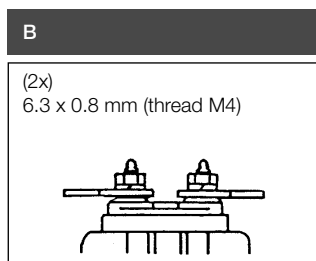
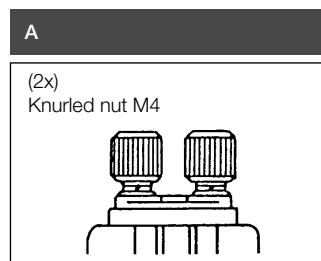


## 2.2.3 Pressure Sensors, Insulated Return

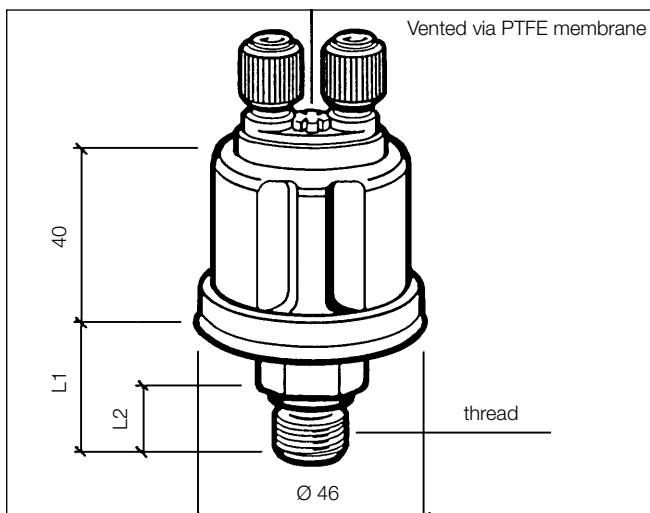
### Circuit diagram



### Type of connection



Technical data	
Rated voltage	6–24 V
Operating temperature	-25 °C to +100 °C
Resistor range	10 Ω to 184 Ω



Part Number	Measuring range [bar]	Thread	Dimension		Type	bar [max. 2 sec.]
			L1 [mm]	L2 [mm]		
360-081-032-011C	2	M12 x 1.5	20.5	12	C	30
360-081-032-025C	2	1/8" - 27 NPTF	19.5	11	C	30
360-081-032-058C	2	M18 x 1.5	20.5	12	A	30
360-081-032-001C	5	1/8" - 27 NPTF	19.5	11	A	30
360-081-032-002C	5	M10 x 1 tapered, short	19.5	11	A	30
360-081-032-007C	5	1/8" - 27 NPTF	19.5	11	B	30
360-081-032-013C	5	M18 x 1.5	20.8	12	A	30
360-081-032-016C	5	1/4" - 18 NPTF	23.8	15.3	A	30
360-081-032-059C	5	M18 x 1.5	20.5	12	D1	30
360-081-032-060C	5	M14 x 1.5	20.5	12	D1	30
360-081-032-003C	10	M10 x 1 tapered, short	19.5	11	A	30
360-081-032-004C	10	M12 x 1.5	20.5	12	A	30
360-081-032-006C	10	M14 x 1.5	20.5	12	A	30
360-081-032-008C	10	M18 x 1.5	20.5	12	A	30
360-081-032-014C	10	1/8" - 27 NPTF	19.5	11	A	30
360-081-032-053C	10	M12 x 1.5	20.5	12	A	30
360-081-032-057C	10	R1/8 DIN 2999	40	10	A	30
360-081-038-014C	16	M14 x 1.5	20.5	12	D1	30
360-081-038-001C	25	M14 x 1.5	20.5	12	D	50
360-081-038-002C	25	3/8" - 18 Dryseal NPTF	23.8	15.3	B	50
360-081-038-003C	25	1/8" - 27 NPTF	19.5	11	D	50
360-081-038-005C	25	M18 x 1.5	20.5	12	A	50
360-081-038-008C	28	1/8" - 27 NPTF	19.5	11	A	50
<b>FOR DUAL UNITS (IDENTIFIER "D")</b>						
362-081-001-001K*	5	1/8" - 27 NPTF	19.5	11	B	30
362-081-001-002C/K*	10	1/8" - 27 NPTF	19.5	11	B	30
362-081-002-001K*	25	1/8" - 27 NPTF	19.5	11	B	50
362-081-002-003C*	28	1/8" - 27 NPTF	19.5	11	A	50
362-081-002-004C*	28	1/8" - 27 NPTF	19.5	11	D	50

\* Half characteristic map values

1 Without M4 hexagonal nut