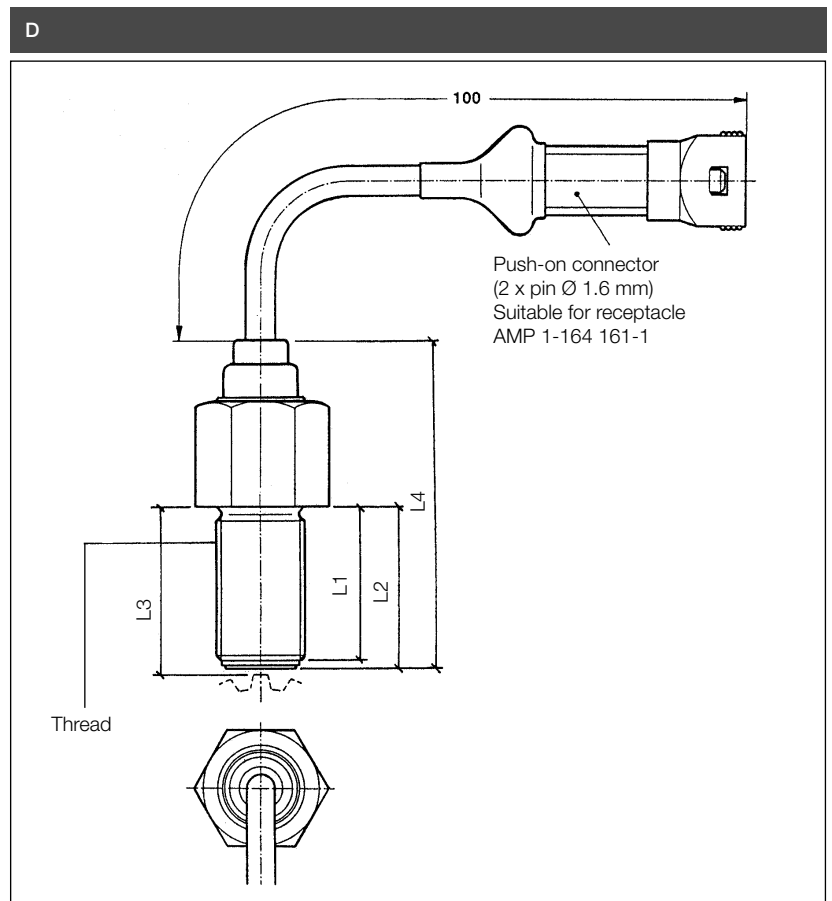
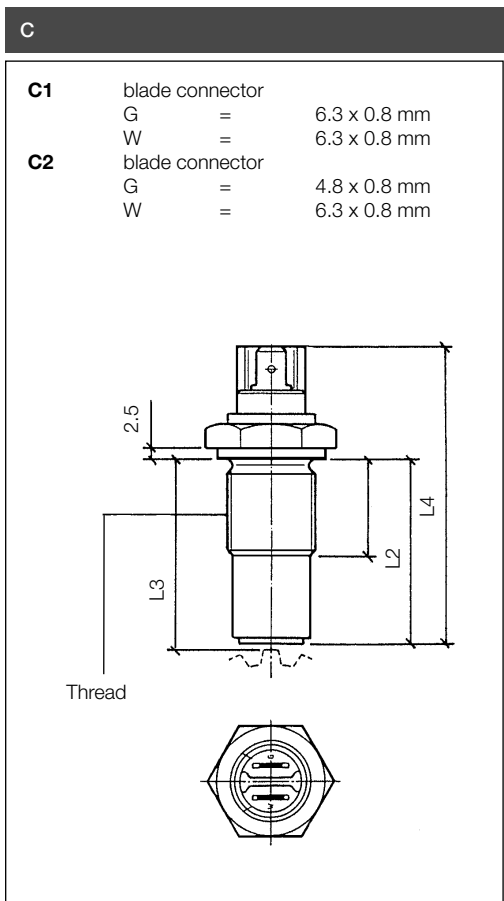
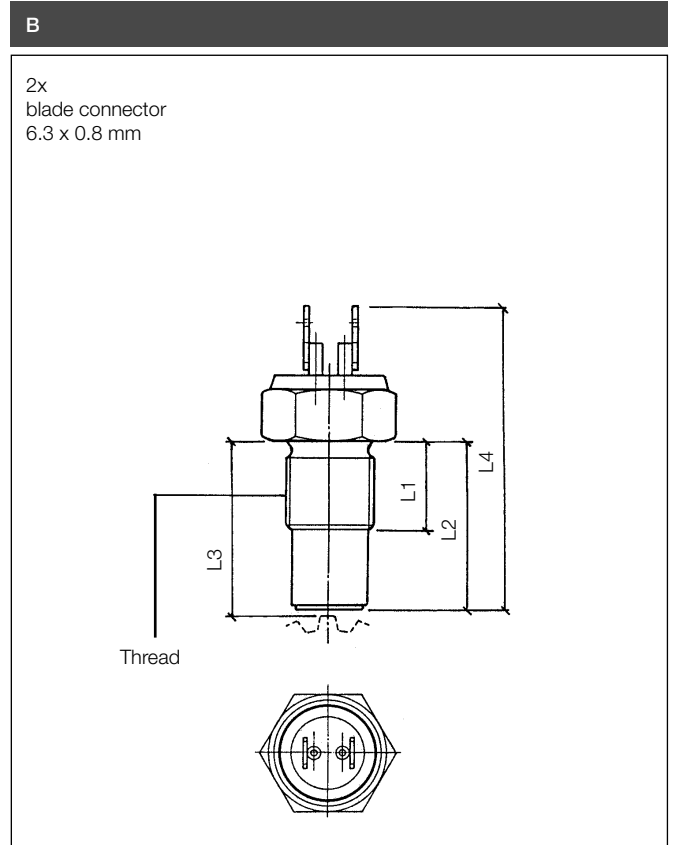
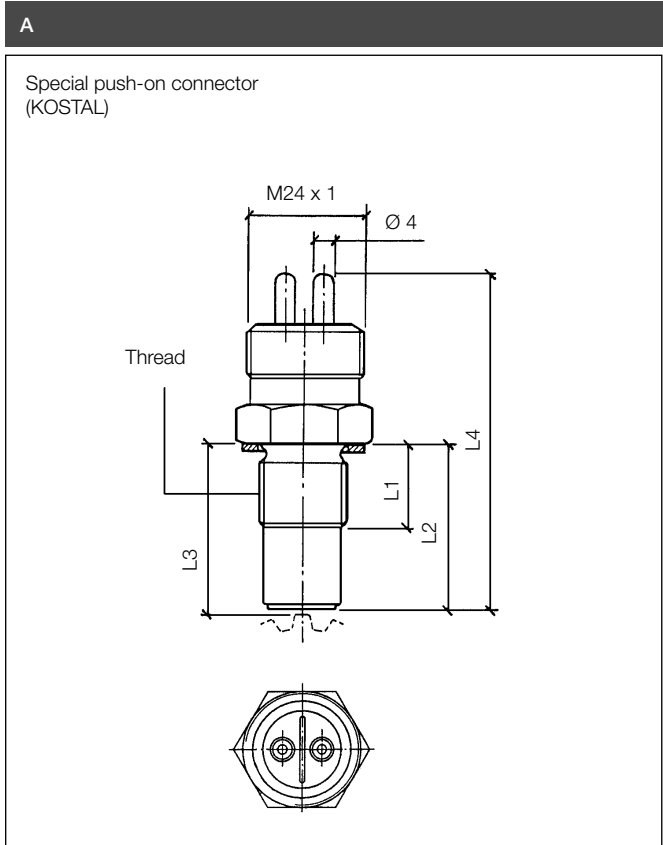


2.1.2 Inductive Sensors



Part Number	Thread	Length [mm]				Design	min. [°C]	RI [Ω]
		L1	L2	L3	L4			
340-804-005-007C	M18 x 1.5	15	35	36.1 ± 0.1	71.5	A	-25	1,050
340-804-005-001C	M18 x 1.5	18	35	36.15–35.80	71.5	A	-30	1,050
340-804-005-013A	M18 x 1.5 ¹	18	71.4	72.63–72.20	107.9	A	-30	1,050
340-804-005-015C	M18 x 1.5	18	99.1	101.15–100.55	135.6	A	-30	1,050
340-804-005-018C	M18 x 1.5 ¹	18	45.7	46.95–46.45	82.2	A	-30	1,050
340-804-005-020C*	M18 x 1.5 ¹	18	37.3	38.45–38.1	73.8	A	-30	1,050
340-804-006-002C	M18 x 1.5	18	35	36.1 ± 0.1	63.5	B	-30	1,050
340-804-007-019C	M18 x 1.5 ^{8,9}	18.2	70.7	71.8 ± 0.1	79.7	C2	-25	1,050
340-804-030-006B	M18 x 1.5	18.2	70.7	71.8 ± 0.1	93.5	D	-25	1,050
340-804-007-020C	M18 x 1.5 ^{8,9}	20	39	40.1 ± 0.1	62	C2	-25	1,050
340-804-030-005B	M18 x 1.5	23.3	25	26.1 ± 0.1	67	D	-25	1,050
340-804-005-002C	M18 x 1.5	24.9	26.5	27.65–27.30	63	A	-30	1,050
340-804-005-028C	M18 x 1.5	24.9	63.4	64.55–64.20	99.9	A	-30	1,050
340-804-005-033C	M18 x 1.5	24.9	26.5	27.5	63	A	-30	1,050
340-804-007-002A	M18 x 1.5	27.5	28.5	29.6 ± 0.1	70	C1	-25	1,050
340-804-007-004C	3/4" - 16 UNF-2A ⁸	27.5	28.5	29.6 ± 0.1	70	C1	-25	1,050
340-804-007-013C	M18 x 1.5 ⁸	27.5	28.5	29.6 ± 0.1	70	C1	-25	1,050
340-804-006-007C	M18 x 1.5	33	34	35.1 ± 0.1	62	B	-30	1,050
340-804-007-001C	M18 x 1.5 ⁹	33	34	35.1 ± 0.1 ^{+0.15 -0.2}	70	C1	-25	1,050
340-804-007-003C	M18 x 1.5	33	34	35.1 ± 0.1	64.5	B	-25	1,050
340-804-007-011C/G	M18 x 1.5	33	34	35.1 ± 0.1	70	C1	-25	1,050

1 With sealing washer, captive

8 With collar

9 With hexagonal nut M18 x 1.5

*Supplied on request – limited availability

Technical data	
Electrical connection	2-pole, insulated return
VOLTAGE INDEPENDENT	
Operating temperature	-25 °C to +140 °C
Internal resistance, Ri	1,050 Ω ± 100 Ω
TEST CONDITIONS	
Gear	36 teeth
Diametral pitch	2.75
Rotational speed	416.6 min ⁻¹
Frequency	250 Hz
Tooth width	7.5 mm
Load	47 kΩ
GEAR CENTERED	