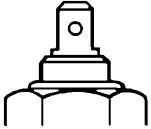
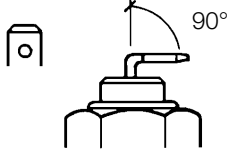
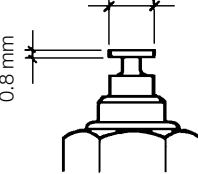
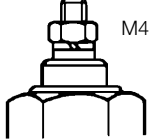
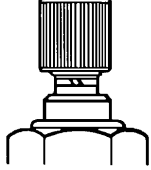
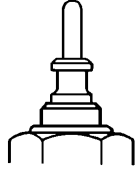
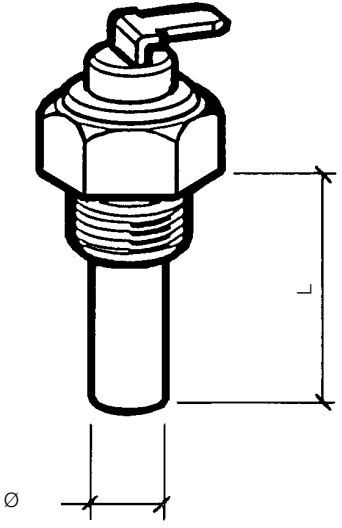


| Part Number | T max. | Thread | Type |
|--------------------|-------------------------|----------------------------|------|
| | [°C] | | |
| 323-801-001-006K/N | 120 | M14 x 1.5 | A |
| 323-801-001-007N | 120 | 3/8" - 18 NPTF | A |
| 323-801-001-008N | 120 | 5/8" - 18 UNF-3A | A |
| 323-801-001-009N | 120 | 1/4" - 18 NPTF | A |
| 323-801-001-010K/N | 120 | 1/2" - 14 NPTF | A |
| 323-801-001-022N | 120 | M18 x 1.5 | A |
| 323-801-001-026K/N | 120 | M14 x 1.5 | A |
| 323-801-001-029N | 120 | M16 x 1.5 | A |
| 323-801-001-040N | 120 | M16 x 1.5 | A |
| 323-801-001-054D | 120 | M14 x 1.5 | D |
| 323-801-001-058C | 120 | R 3/8" (DIN 2999, tapered) | E |
| 323-801-005-001D | 120 | 1/8" - 27 NPTF | C |
| 323-801-005-005D | 120 | M10 x 1 | C |
| 323-801-008-002D | 120 | M10 x 1 | D |
| 323-801-017-001K/N | 120 | M10 x 1, tapered short | A |
| 323-801-020-002D | 120 | M14 x 1.5 | F |
| 323-801-028-001C | probe: 250, hex. 150 | M14 x 1.5 | C |
| 323-801-004-002N | 150 | M14 x 1.5 | A |
| 323-801-004-003D | 150 | R 1/2 | A |
| 323-801-004-006D | 150 | 1/2" - 14 NPTF | D |
| 323-801-004-007D | 150 | 1/2" - 14 NPTF | A |
| 323-801-004-012C | 150 | M16 x 1.5 | E |
| 323-801-004-017D | 150 | 1/4" - 18 NPTF | D |
| 323-801-004-039D/K | 150 | M14 x 1.5 | B |
| 323-801-009-001D | 150 | 1/8" x 27 NPTF | C |
| 323-801-009-003D | 150 | M10 x 1, tapered short | C |
| 323-801-010-001D | 150 | M10 x 1.5 | C |
| 323-801-010-003K | 150 | M12 x 1.5 | C |
| 323-801-012-001D | 150 | M16 x 1.5 | B |
| 323-801-012-002D/K | 150 | M14 x 1.5 | B |
| 323-801-012-003D | 150 | M18 x 1.5 | B |
| 323-801-003-001D | 200 | M10 x 1.5 | C |
| 323-801-018-001D | 200 | 1/8" x 27 NPTF | C |
| 323-801-013-001D | 200 | 1/8" x 27 NPTF | C |

2.4.1 Temperature Sensors, Single-Pole, Common Ground

Type of connection

| A | B | C | D |
|--|--|---|--|
| <p>Single-Pole, common ground 6.3 x 0.8 mm</p>  | <p>Single-Pole, common ground 6.3 x 0.8 mm</p>  | <p>Single-Pole, common ground Ø 6.3 mm</p>  | <p>Single-Pole, common ground Hexagonal nut M4</p>  |
| <p>Single-Pole, common ground Knurled nut, M4</p>  | <p>Single-Pole, common ground Ø 4 mm</p>  |  | |

| Technical data | |
|---------------------------|--|
| Type | Thermistor (NTC) |
| Rated voltage | 6–24 V |
| Temperature response time | Min. 3 minutes after operating current switched on |