

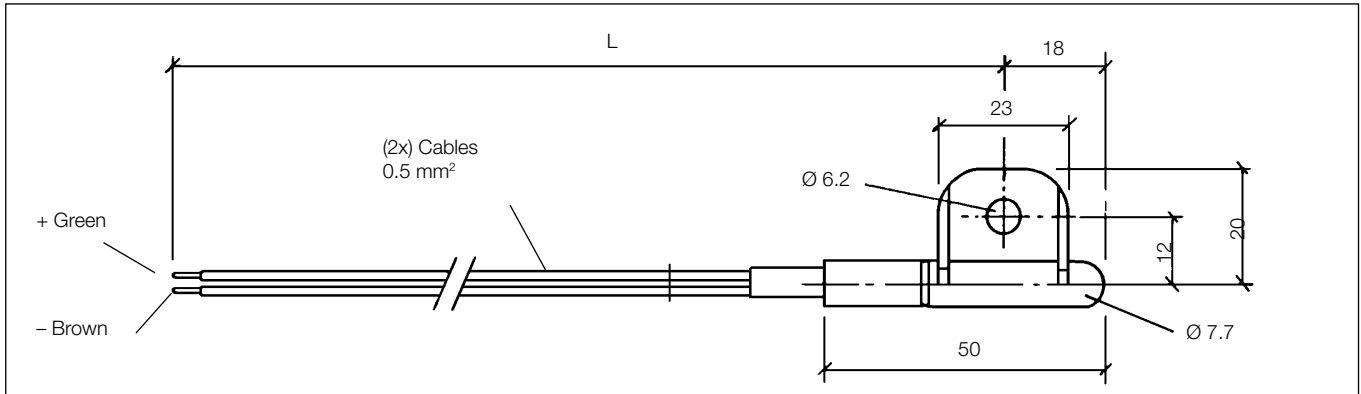
Part Number	T max.	Thread	Switch-on point	Type
	[°C]		[°C]	
323-803-001-001D	120	M14 x 1.5	100 ±3	A
323-803-001-002D	120	5/8" - 18 NF-3	98 ±3	A
323-803-001-004D	120	M14 x 1.5	90 ±3	A
323-803-001-006D	120	M14 x 1.5	96 ±3	A
323-803-001-007D	120	M14 x 1.5	110 ±3	A
323-803-001-008D	120	M14 x 1.5	110 ±3	A
323-803-001-009D	120	M14 x 1.5	102 ±3	A
323-803-001-011D	120	5/8" - 18 NF-3	95 ±3	A
323-803-001-012D	120	5/8" - 18 NF-3	100 ±3	A
323-803-001-013D	120	M14 x 1.5	106 ±3	A
323-803-001-016D	120	M14 x 1.5	94 ±3	A
323-803-001-019D	120	1/2" - 14 NPTF	95 ±3	A
323-803-001-020D	120	M14 x 1.5	115 ±3	A
323-803-001-022D	120	M14 x 1.5	118 ±3	A
323-803-001-023D	120	M14 x 1.5	80 ±3	A
323-803-001-025D	120	1/2" - 14 NPTF	103 ±3	A
323-803-001-028D	120	M14 x 1.5	98 ±3	A
323-803-001-030D	120	1/2" - 14 NPTF	100 ±3	A
323-803-001-032D	120	1/2" - 14 NPTF	108 ±3	A
323-803-001-036D	120	5/8" - 18 NF-3	103 ±3	A
323-803-001-059D	120	5/8" - 18 NF-3	105 ±3	A
323-803-001-060D	120	1/2" - 14 NPTF	105 ±3	A
323-803-001-064C	120	M14 x 1.5	112 ±3	A
323-803-004-001D	120	M14 x 1.5	100 ±2.5	B
323-803-004-002D	120	M14 x 1.5	105 ±3	B
323-803-004-003D	120	M14 x 1.5	95 ±2.5	B
323-803-004-007D	Fuel-Filter	M14 x 1.5	100 <sup>+6</sup>	B
323-803-004-011D	120	M14 x 1.5	105 ±3	A (90°)
323-803-002-002D	150	M14 x 1.5	120 ±3	A
323-803-002-007D	150	M14 x 1.5	130 ±3	A
323-803-002-010C	150	M14 x 1.5	135 ±3	A
323-803-002-016D	150	M14 x 1.5	130 ±3	A
323-803-002-017D	150	M14 x 1.5 <sup>1</sup>	120 ±3	A
323-803-002-019D	150	M14 x 1.5	135 ±3	A
323-803-002-020D	150	M14 x 1.5	110 ±3	A
323-803-006-002C	150	M14 x 1.5	130 ±4	B
323-803-014-002D	150	M14 x 1.5	130 ±3	A
323-803-014-007C	150	M14 x 1.5 <sup>1</sup>	108 ±3	D

<sup>1</sup>With sealing ring, captive

\*Supplied on request - limited availability

CONNECTION FOR TEMPERATURE SENSOR		
Part Number	Internal thread	External thread
A2C59517951	14x1.5 mm	1/2" - 14NPTF
A2C59517952	14x1.5 mm	3/8"

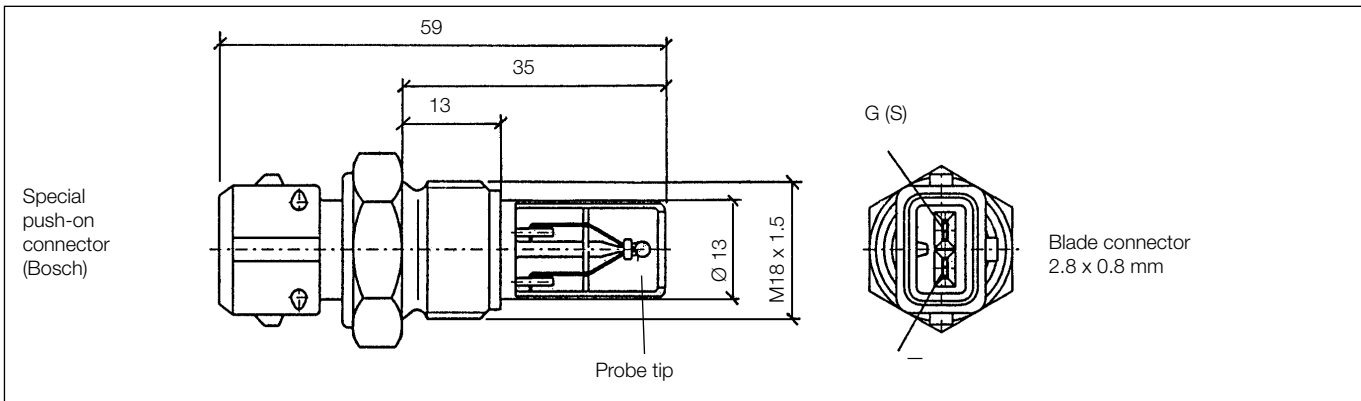
## 2.4.5 Temperature Sensors for Air Temperature



Part Number	Products
323-801-008-002D	Cable length L: 3,000 mm
323-809-010-006C	Cable length L: 4,500 mm

Technical data	
Type	Thermistor (NTC), insulated return
Rated voltage	6–24 V
Operating temperature	-40 °C to +85 °C max.
Temperature response time	Min. 3 minutes after operating current switched on

### WITH PROBE TIP



Part Number: 323-809-019-003A

Technical data	
Type	Thermistor (NTC), insulated return
Rated voltage	6–24 V
Operating temperature	-40 °C to +150 °C max. at probe tip
Temperature response time	Min. 3 minutes after operating current switched on