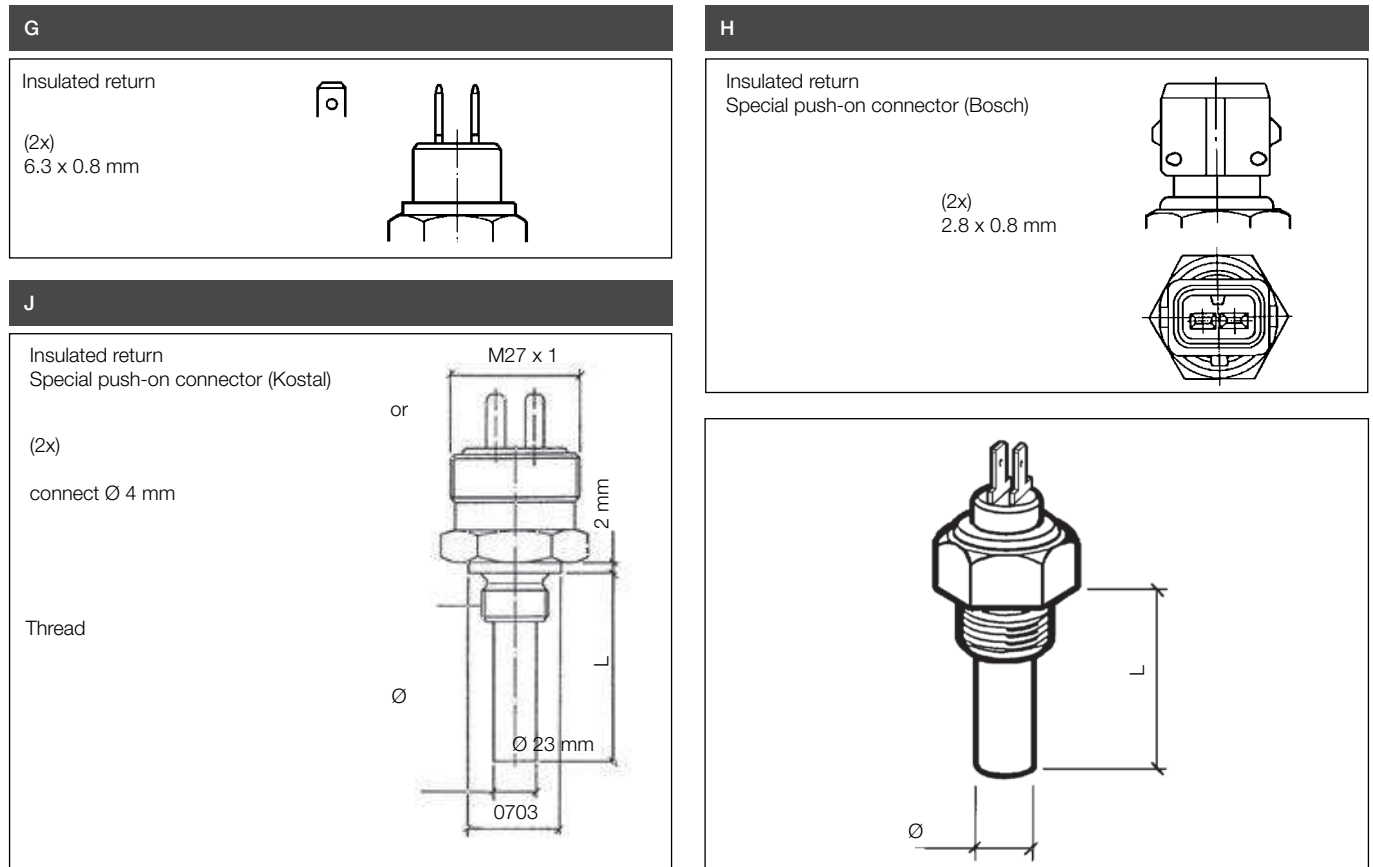


## 2.4.2 Temperature Sensors, Dual-Pole, Insulated Return

### Type of connection



Part Number	T max.	Thread	Type	L	Ø
	[°C]			[mm]	[mm]
323-805-001-001K/N	120	M14 x 1.5	G	29	11
323-805-001-002C	120	5/8" - 18 UNF-2A	G	24	11
323-805-001-004K/N	120	1/2" - 14 NPTF	G	29	11
323-805-001-005N	120	3/8" - 18 Dryseal NPTF	G	29	11
323-805-001-015N	120	M18 x 1.5	G	29	9
323-805-034-002B	120	M14 x 1.5	H	29	7.5
323-805-039-001C	120	M14 x 1.5	H	29	8.5
323-805-042-001C	120	M14 x 1.5	H	29	8.5
323-808-002-003D*	120	M14 x 1.5	A (90°)	22	9
323-805-017-002C	130	M14 x 1.5		29	8.5
323-805-003-001N	150	M14 x 1.5	G	29	11
323-805-014-001B	150	M14 x 1.5	J	38	9
323-805-003-002N	150	1/4" - 18 NPTF	G	29	11
323-805-003-003N	150	5/8" - 18 UNF-2A with sealing cone	G	29	11

\* Supplied on request - limited availability

FOR DUAL UNITS (IDENTIFIER "D")					
325-805-003-001C	120	1/4" - 18 NPTF	G	29	10.9
325-805-003-003C	120	3/8" - 18 NPTF	G	29	10.9

Technical data	
Type	Thermistor (NTC)
Rated voltage	6–24 V
Temperature response time	Min. 3 minutes after operating current switched on