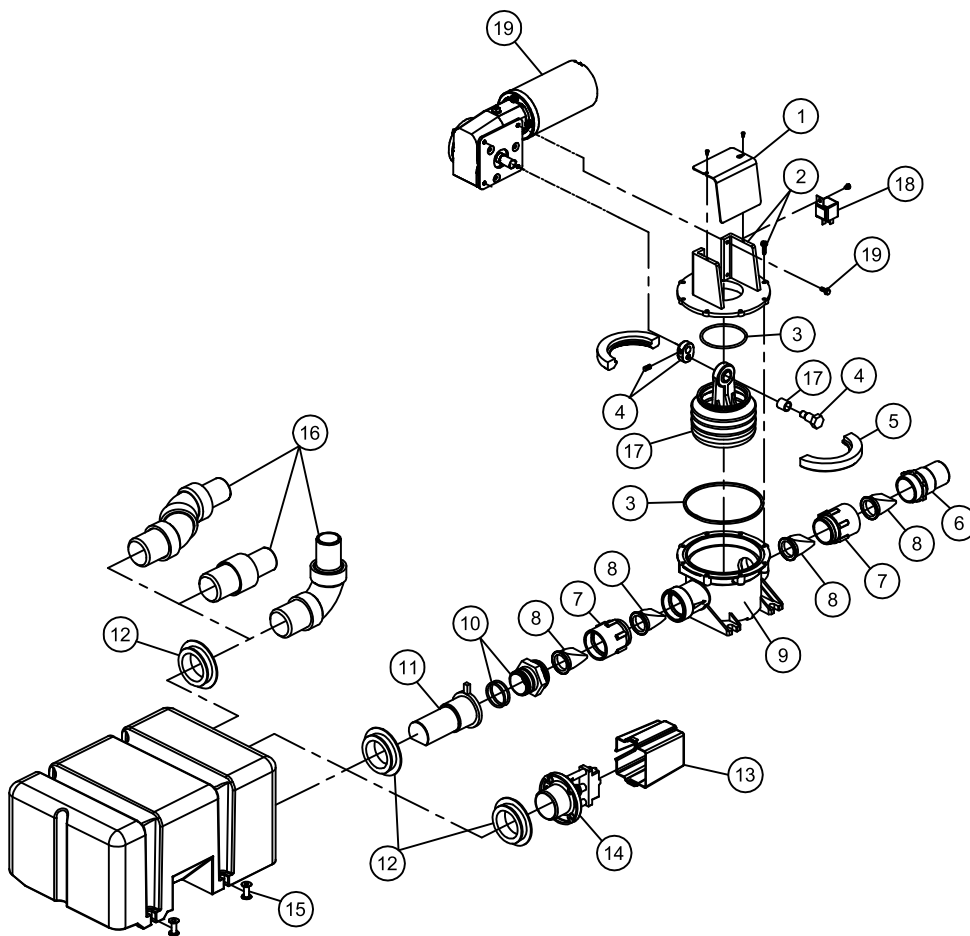


PARTS LIST: VACUUM GENERATOR LOW PROFILE 12VDC & 24VDC

ITEM	PART NO.	DESCRIPTION	ITEM	PART NO.	DESCRIPTION
1	385311323	COVER, PUMP	13	385311215	VACUUM SWITCH COVER LOW PROFILE VG
2	385311324	KIT, SPUMP TOP CLOSE W/SCREWS	14	385311436	KIT, VACUUM SWITCH (inc. item 12)
3	385310151	O'RING REPLACEMENT KIT	15	385311318	KIT, TANK MTG SPINDLE
4	385310644	KIT, ECCENTRIC/SCREW-S/T PUMP	16	385310635	INLET ELBOW ASSEMBLY
5	385311226	CLAMP, BELLOWS S/T PUMP		385310690	STRAIGHT INLET (optional)
6	385311315	KIT, NIPPLE-RH THREADS		385310787	45° INLET ELBOW (optional)
7	385311316	KIT, VALVE ADAPTER-RH THREADS	17	385230980	BELLOWS KIT (includes item 7)
8	385310076	KIT VALVE, CHECK DUCKBILL-S/T PUMP (2 EA)	18	600343053	RELAY, SPDT 12VDC 40% AMP VF4 (optional)
9	600341504	BODY,S-PUMP		600344239	RELAY, SPDT 24VDC 40% AMP VF4 (optional)
10	385311317	KIT, PUMP ADAPT TO DIPTUBE FIT	19	385311065	12VDC W MOTOR
11	385310754	KIT, DIP TUBE LOW PROFILE VG (INC. ITEM 12)		385311066	24VDC W MOTOR
12	385311111	1½" SEALING GROMMET	20	385310249	KIT, S PUMP W/O MOTOR
			N/S	385311100	KIT, LPVG SW-PUMP ASSY 24VDC
			N/S	385311595	KIT, LPVG-W-PUMP ASSY 12VDC



Dometic Systems
Dometic Corporation - Sanitation Systems
13128 State Rt. 226, P.O. Box 38
Big Prairie, OH 44611-0038 USA
Telephone: 330-496-3211
Fax: 330-496-3097
Email: sealand@dometicus.com