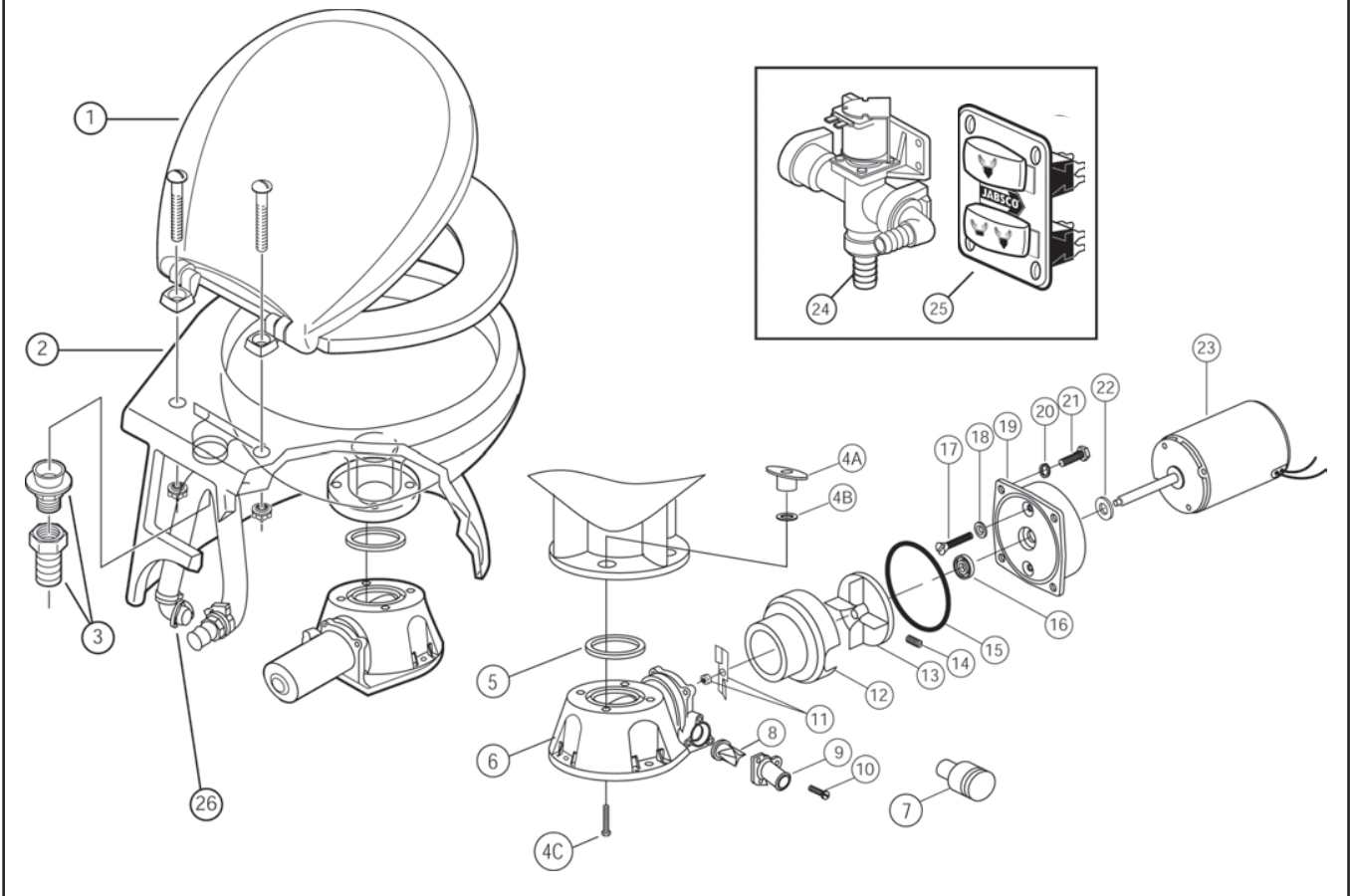


EXPLODED VIEW



PARTS LIST

Key	Qty.	Description	Part Req.	Number	Key	Qty.	Description	Part Req.	Number
1		Seat & Cover	1	37078-1000	16		Seal†	1	1040-0000
2		Bowl, Compact Size, White	1	37076-0010	17		Screw†	2	91010-0144
		Bowl, Standard Size, White	1	37076-1010	18		Washer, Plastic*†	2	35445-0000
		Bowl, Compact Size, Bone	1	37076-2010	19		Seal Housing†	1	37043-1000
		Bowl, Standard Size, Bone	1	37076-3010	20		Lock Washer #10, Stainless Steel†	4	
3		Bowl Spud and 3/4" barbed adaptor	1	18753-0609	21		Screw†	4	91027-0011
4		Bowl Installation Hardware	1	18753-0604	22		Slinger†	1	6342-0000
4A		Tee n ut**	4		23		Motor - 12 Volt EMC†	1	18753-0582
4B		Washer, Plastic**	4				Motor - 24 Volt EMC†	1	18753-0583
4C		Socket Head Screw**	4		24		Solenoid Valve/Siphon Breaker		
5		Gasket*	1	37017-0000			12 Volt EMC	1	37038-1012
6		Base Assembly**	1	37004-1000			24 Volt EMC	1	37038-1024
7		1-1/2" Adaptor, Discharge Port	1	98023-0080	25		Switch Panel	1	37047-2000
8		Joker Valve* **	1	44106-1000			Service Kit	1	90197-0000
9		1" Discharge Port**	1	37077-1000			Waste Pump Assembly		
10		Screw**	3	96050-0568			12 Volt EMC	1	37072-0092
11		Chopper Plate with Lock n ut†	1	37056-1000			24 Volt EMC	1	37072-0094
12		Macerator Housing†	1	37014-0000	26		Evacuation Loop Hose Kit	1	37087-0000
13		Centrifugal Impeller†	1	37006-0000					
14		Set Screw†	1	18753-0492					
15		O-ring*†	1	43990-0066					

* Parts supplied with Service Kit.

** Parts included with base 37004-1000.

† Parts included in Waste Pump Assembly.