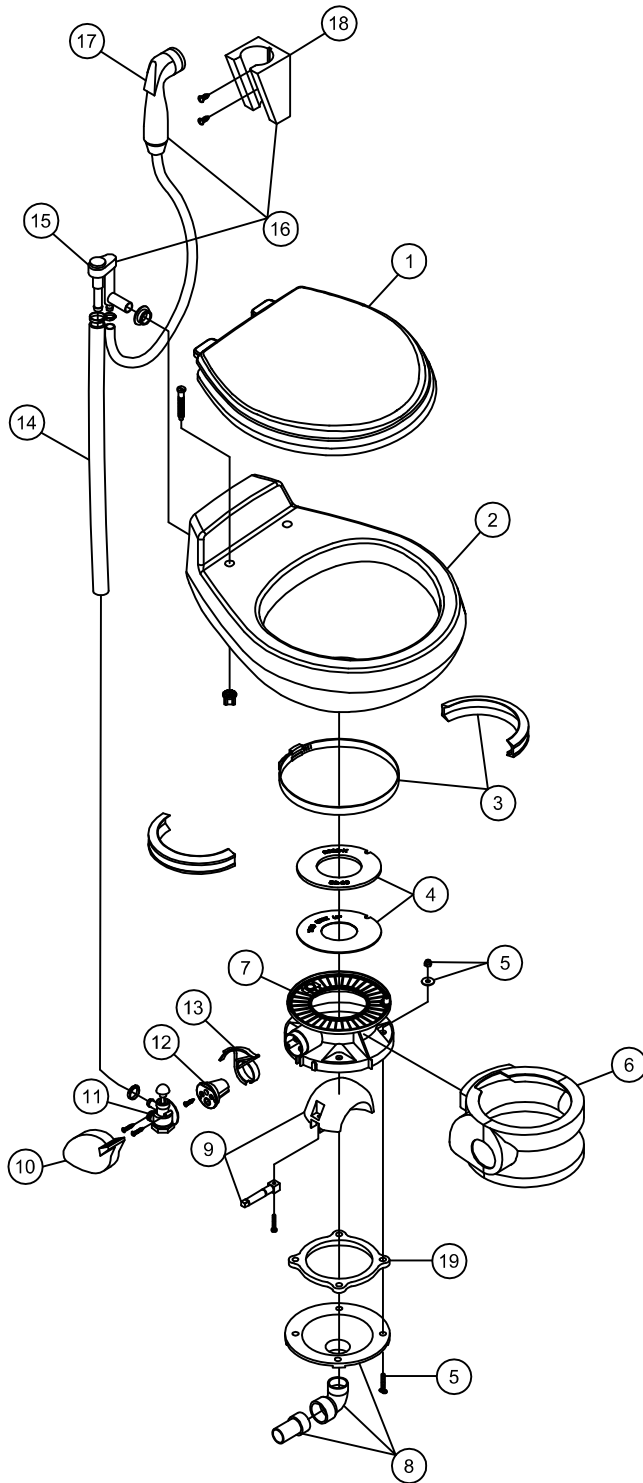


PARTS LIST: 506+



ITEM	PART NO.	DESCRIPTION
1	385343829	KIT, SEAT-CV'R 500+ - WHITE
	385343831	KIT, SEAT-CV'R 500+ - BONE
	385343897	KIT, SEAT-CV'R 500+ - PLAT
	385343901	KIT, SEAT-CV'R 500+ - EBONY
2	385310739	CHINA BOWL KIT, WHITE
	385310740	CHINA BOWL KIT, BONE
	385310741	CHINA BOWL KIT, PLATINUM
	385310742	CHINA BOWL KIT, EBONY
3	385310048	BAND AND HALF CLAMP, KIT
4	385311462	SEAL REPLACEMENT , KIT
5	385310064	MOUNTING HARDWARE
6	385310108	PEDESTAL COVER KIT , WHITE
	385310109	PEDESTAL COVER KIT , BONE
	385310110	PEDESTAL COVER KIT , PLATINUM
	385310600	PEDESTAL COVER KIT , EBONY
7	385310132	BASE KIT, WHITE (inc items 3-13 & 19)
	385310133	BASE KIT, BONE (inc items 3-13 & 19)
	385310134	BASE KIT, PLATINUM (inc items 3-13 & 19)
	385310607	BASE KIT, EBONY (inc items 3-13 & 19)
8	385318864	FUNNEL, KIT (inc. item 5 & 19)
9	385318162	KIT,BALL,SHAFT & CART, WHITE(inc. item 12)
	385310177	KIT,BALL,SHAFT & CART, EBONY(inc. item 12)
10	385310117	PEDAL COVER, WHITE
	385310118	PEDAL COVER, BONE
	385310119	PEDAL COVER, PLATINUM
	385310593	PEDAL COVER, EBONY
11	385314349	WATER VALVE, KIT
12	385236096	SPRING CARTRIDGE, KIT
13	385310579	PEDAL, CARTRIDGE, KIT (inc. item 12)
14	385340177	HOSE, SUPPLY - BONE, EBONY, PLAT
	385345377	HOSE, SUPPLY - WHITE
15	385316906	VACUUM BREAKER, KIT - WITHOUT SPRAY
	385230335	VACUUM BREAKER, KIT - WITH SPRAY
16	385319056	VACUUM BREAKER,SPR & BRK,KIT CHROME
	385319057	VACUUM BREAKER,SPR & BRK,KIT EBONY
17	385310873	HAND SPRAY, EBONY
	385310809	HAND SPRAY, CHROME
18	385311125	BRACKET, HAND SPRAY EBONY
	385311131	BRACKET, HAND SPRAY CHROME
19	385310063	FLOOR FLANGE, KIT (inc. item 5)

Dometic Corporation - Sanitation Systems
13128 State Rt, 226, P.O. Box 38
Big Prairie, OH 44611-0038 USA
Telephone: 330-496-3211
Fax: 330-496-3097
Email: sealand@dometicusa.com