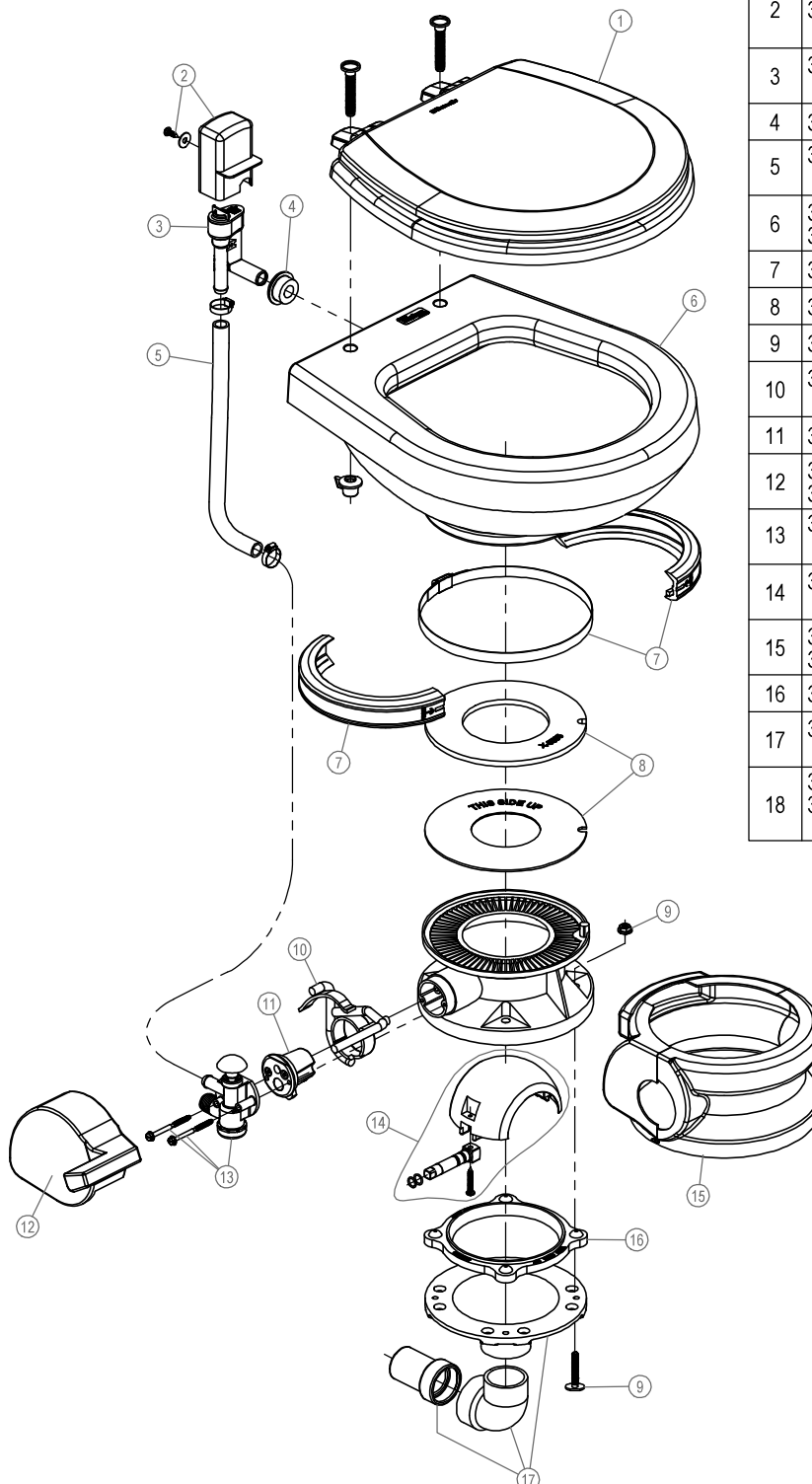


## PARTS LIST: 706 LOW-PROFILE VACUFLUSH TOILET



ITEM	PART NUMBER & DESCRIPTION
1	385344436 - SEAT/COVER - WHITE 385344437 - SEAT/COVER - BONE **Includes Mounting Hardware.
2	385310696 - VACUUM BREAKER COVER - WHITE 385310782 - VACUUM BREAKER COVER - BONE **Includes Mounting Hardware.
3	385316906 - VACUUM BREAKER KIT **Includes Item #4.
4	385311164 - 1/2" SEALING GROMMET
5	385345377 - BOWL WATER SUPPLY HOSE **Includes Hose Clamps.
6	385310676 - BOWL KIT - WHITE 385310781 - BOWL KIT - BONE
7	385310048 - BOWL/BASE CLAMP KIT - BONE
8	385311462 - FLUSH BALL SEAL REPLACEMENT KIT
9	385310064 - BASE MOUNTING HARDWARE
10	385310579 - FLUSH LEVER & SPRING CARTRIDGE KIT **Includes Item 11.
11	385236096 - SPRING CARTRIDGE KIT
12	385310117 - PEDAL COVER - WHITE 385310118 - PEDAL COVER - BONE
13	385314349 - WATER VALVE KIT **Includes Mounting Screws.
14	385318162 - FLUSH BALL, SHAFT, & CARTRIDGE KIT-WHT ** Includes Item 11.
15	385310108 - PEDESTAL COVER KIT - WHITE 385310109 - PEDESTAL COVER KIT - BONE
16	385310063 - FLOOR / BASE SEAL
17	385318864 - VACUFLUSH FUNNEL KIT **Includes Items 9 & 16.
18	385310132 - BASE KIT - WHITE 385310133 - BASE KIT - BONE **Includes Items 7 - 176C .

Dometic Corporation - Sanitation Systems  
13128 State Rt. 226, P.O. Box 38  
Big Prairie, OH 44611-0038 USA  
Telephone: 330-439-5550  
Fax: 330-496-3097  
Email: sealand@dometicusa.com