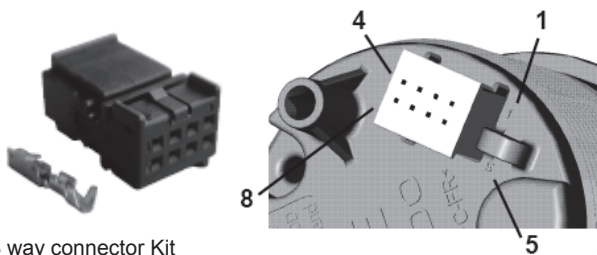
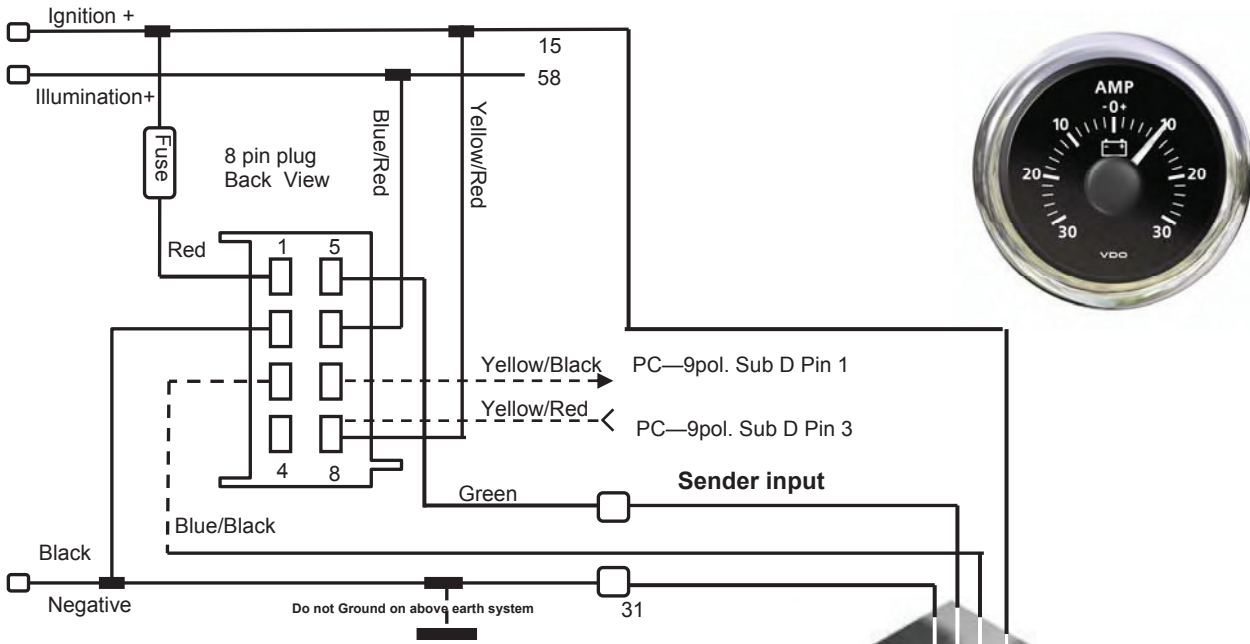
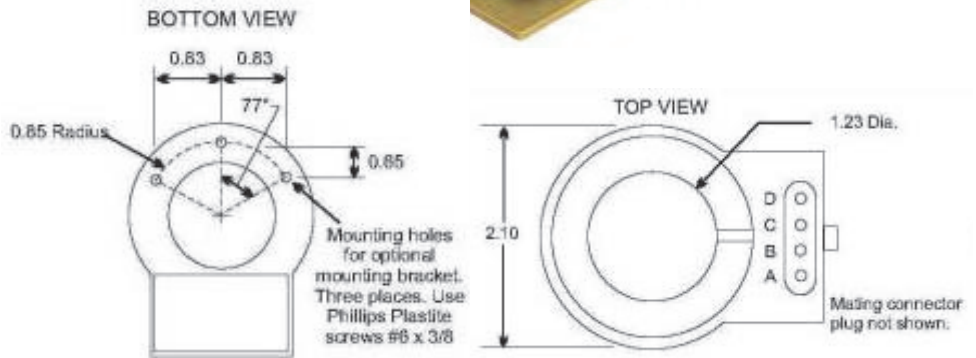
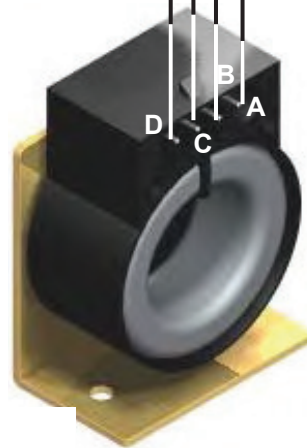


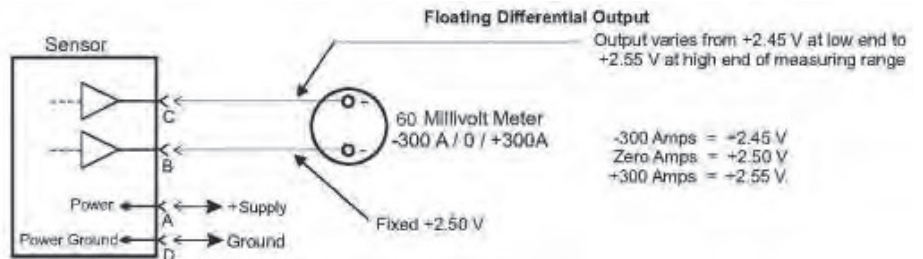
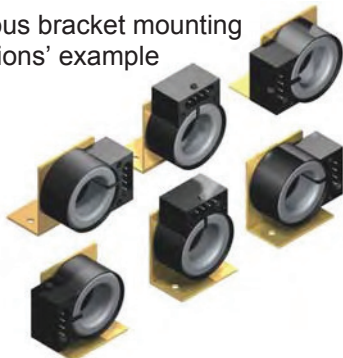
Ammeter Gauges 30, 60, 100 & 150 AMPS



8 way connector Kit
p/n A2C59510850



Various bracket mounting positions' example



P/n **UK-UE-188** Universal Mounting Bracket Kit
P/n **UK-UE-184** Contactless Shunt Harness 3m