

KOBRA

MOUNTING , OPERATION AND MAINTENANCE INSTRUCTIONS

ISTRUZIONI PER INSTALLAZIONE ,USO E MANUTENZIONE

INSTRUCTIONS DE MONTAGE, UTILISATION ET MAINTENANCE

INSTALLATIONS-,BEDIENUNGS- UND WARTUNGSHANDBUCHER
FUR BOOTEINGENTUMER

INSTRUCIONES PARA MONTAJE, USO Y MANTENIMIENTO

GB	Important additional safety information	pg.2	Installation	pg.3	Parts list	pg.17
	Warranty	pg.2	Operations	pg.4	Wiring diagram	pg.18
	Model classification	pg.2	Maintenance	pg.4	Exploded diagram	pg.19
	Electric plant	pg.2	Ordering spare parts	pg.4	Lofrans sales organization	pg.20
I	Informazioni sulla sicurezza	pg.5	Installazione	pg.6	Lista dei componenti	pg.17
	Garanzia	pg.5	Uso	pg.7	Schema elettrico	pg.18
	Identificazione del modello	pg.5	Manutenzione	pg.7	Disegno esploso	pg.19
	Impianto elettrico	pg.5	Modalità di richiesta ricambi	pg.7	Organizzazione Lofrans'	pg.20
F	Informations concernant la sécurité	pg.8	Notice d' installation	pg.9	Nomenclature des pièces	pg.17
	Garantie	pg.8	Utilisation	pg.10	Schéma électrique	pg.18
	Model classification	pg.8	Entretien	pg.10	Eclaté des pièces	pg.19
	Branchement électrique	pg.8	Commande de pièces détachées	pg.10	Distributeurs Lofrans'	pg.20
D	Wichtige zusatzinformationen	pg.11	Einbauhinweise	pg.12	Teile liste	pg.17
	Garantie	pg.11	Betriebsanleitung	pg.13	Schaltplan	pg.18
	Modellbeschreibung	pg.11	Wartung	pg.13	Ersatzteilliste	pg.19
	Elektrische verbindungen	pg.11	Ersatzteilbestellung	pg.13	Lofrans' Händlerliste	pg.20
E	Información sobre seguridad	pg.14	Montaje	pg.15	Depiezo de los molinete	pg.17
	Garantias	pg.14	Uso	pg.16	Esquema eléctrico	pg.18
	Identificación del modelo	pg.14	Mantenimiento	pg.16	Esquema de piezas	pg.19
	Instalación eléctrica	pg.14	Como pedir recambios	pg.16	Organización Lofrans'	pg.20

WARNING ! your windlass is not designed as a strong point to fasten your anchor rode (chain or rope) to when the boat is laying on it's anchor and surging. The anchor rode must be fastened to a strong point such as mooring cleat, bollard or chain storage.

WARNING ! do not exceed a pulling load more than the rating of your windlass. The vessel's engine be running and used to assist in the anchor recovery.

WARNING ! always install the properly rated circuit breaker to protect the electric plant and electric motor from overheating and damages.

WARNING ! when not in use be sure to keep the anchor windlass circuit switch in the **Off** position to prevent accidental engagement of the windlass.

WARNING ! always keep your hands, feet and fingers clear of an operating windlass. If a jam occurs use extreme caution and turn off the windlass circuit before attending to clearing the anchor rode.

WARNING ! do not use the windlass for different purposes it was designed for.

WARRANTY

Lofrans' S.r.l. warrants its products for a period of one (1) year from the date of purchase against defects in materials or workmanship , under normal use and service. Any part which proves to be defective in normal usage during that one year period will be repaired or replaced by Lofrans'. This warranty is subjected to the conditions listed below.

Lofrans' liability shall be limited to repair or replacement of the part defective in materials or workmanship.

Lofrans shall not be liable in any way for failures due to use of products in applications for which they are not intended , improper installation , misuse , incorrect maintenance , corrosion , normal wear and tear , discoloration and unauthorised alteration of the product, conditions that exceed the product 's performance specifications.

The claim of warranty must be promptly notified in writing , to Lofrans or Lofrans' authorised distributor, providing proof of purchase. Repair will be under taken upon return of the defective part , freight prepaid to Lofrans or Lofrans authorised distributor. Lofrans or its authorised distributor will not be responsible for any shipping charges or labour cost associated with any warranty claims. Lofrans shall not be liable for consequential damages to yachts , equipment or other property or persons due to use or installation of Lofrans equipment. Implied warranties are limited to the life of this warranty. All incidental and/or consequential damages are excluded from this warranty. Some states do not allow limitations on how long an implied warranty lasts or the exclusion or limitation of incidental or consequential damages , so the above limitation or exclusions may not apply to you.

Lofrans' reserves the right to disclaim the warranty in case the windlass is controlled by not suitable electric accessories and/or in case of non installation of a proper circuit breaker on the windlass electric line.

MODEL CLASSIFICATION

FOR YOUR OWN SAFETY PLEASE READ THESE INSTRUCTIONS BEFORE INSTALLING OR OPERATING YOUR WINDLASS.

Fill in this form to obtain a complete classification of the installed model.

MOTOR	700 Watt 12 Volt	<input type="checkbox"/>	700 Watt 24 Volt	<input type="checkbox"/>
	1000 Watt 12 Volt	<input type="checkbox"/>	1000 Watt 24 Volt	<input type="checkbox"/>
CHAIN AVAILABLE	∅ 6 Iso - 6 Din 766 - 1/4"	<input type="checkbox"/>	∅ 10 Iso - 10 Din 766	<input type="checkbox"/>
	∅ 7 Iso - 1/4" G40	<input type="checkbox"/>	∅ 3/8" - 3/8" Din 766	<input type="checkbox"/>
	∅ 8 Iso - 8 Din 766 - 5/16"	<input type="checkbox"/>	∅ 3/8" G40	<input type="checkbox"/>
	∅ 5/16" G40	<input type="checkbox"/>	∅ 3/8" BBB	<input type="checkbox"/>
OPTIONAL	Free Fall version	<input type="checkbox"/>		

PURCHASE DATE & PLACE

NOTES

SERIAL NUMBER

ELECTRIC PLANT

Check that the motor tension corresponds to the electric plant on board. The following table shows the suggest minimum battery feeding the windlass , the minimum suggested cable section and the proper circuit breaker to install on the power line.

MOTOR	BATTERY	CABLES SECTION		CIRCUIT BREAKER
700 Watt 12 V	100 Ah	25 mm ²	3 AWG	70 Amps
700 Watt 24 V	70 Ah	16 mm ²	4 AWG	35 Amps
1000 Watt 12 V	150 Ah	35 mm ²	2 AWG	100 Amps
1000 Watt 24 V	90 Ah	25 mm ²	3 AWG	70 Amps

If the windlass is fed by an inferior battery , the performances will be worse and the battery will be subject rapidly to wear and tear. We recommend to use excellent quality cables , insulated and heat resistant. It is important underline the cables section should be increased of 30% - 50% approx., if the length of the extended cable , positive and negative , is greater than 10 mts. or 29' length. The cables connected to the electric controls , shown on the wiring diagram as a thin line , should have a section of 1.5 mm² or 16 AWG approx.

Circuit breaker informations referring only to LOFRANS' circuit breaker so they could be incorrect for other circuit breakers.

The circuit breaker protects from very dangerous short circuits , protects the windlass motor , avoiding damages due to anomalous absorption and interrupts the tension , when desired. The circuit breaker must be installed in a dry , accessible and visible position . For safety reasons we recommend that the windlass and remote controls are isolated during navigation and reactivated when anchoring. Install the control box preferably in a dry place on board. We recommend to install at least two remote controls to drive the windlass in case one of them gets damaged.

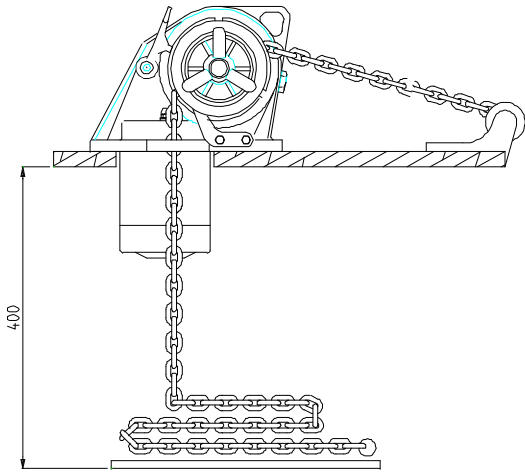
For protection of electric remote controls, it will be necessary to install a circuit breaker of 5 Ampere.

We recommend You to use original LOFRANS' components only , which are designed for sea water purpose. LOFRANS equipment conforms to European Directives, products are CE approved.

Check if the windlass is complete in every parts. If any parts is missing or damaged , please contact your dealer.

TOOLS AND MATERIALS REQUIREMENTS	Drill \varnothing 9 mm (3/8"), Spanner 10 mm A/F - 13 mm A/F Jig Saw, Power Drill , Silicone Sealant
---	---

The electric motor of the windlass is able to operate under spray conditions ; however , if submerged , it could be irreparably damaged.



Check there are no deck obstructions. Be sure there is ample room to enable you to use the handle (352). In order to facilitate maintenance operations Lofrans suggest to install the windlass on a removable panel fixed on the deck by bolts. If the deck is too thin or inadequate , it will be necessary to use a backing pad (plywood , timber) of sufficient dimensions to spread the stress imposed during recovery of chain. **To avoid electrolysis problems do not use stainless steel pad as backing pad.** For boats of steel or aluminium , it is very important insulated the windlass from the deck with the non conductive gasket.

The windlass must be placed where the chain locker has the max depth.

Ensure the chain locker is of sufficient capacity to store all the chain and leave a minimum of 400 mm (16") between underside of the deck and the top of the heaped chain.

The windlass must be located with the gipsy in line with the bow roller.

The chain must turn around the gipsy with a rotation of 90° approx.

When the position has been set , drill the holes. Fit the windlass on the deck using bolts and nuts M10 or equivalent in stainless steel.

Join the electric cables from the control box and the battery to the electric motor as the wiring diagram shows.

Introduce the chain into the gipsy , operate the "UP" switch of the foot switch or remote control and the chain will automatically be fed into your locker.

Take care to keep hands and feet well clear of incoming chain. If the windlass runs in wrong direction , change over M1 and M2 cables at the control box.

After using the windlass , we strongly recommend that the nuts are checked again to ensure they are well tightened.

WARNING ! = Do not approach with hands or feet near the gipsy and chain , when operating.

WARNING ! = When the windlass is not in use or before use the handle , turn off the windlass at the main switch .

WARNING ! = Engage the chain stopper after anchoring. Windlass must not be used as sole means securing anchor in bow fitting. Anchors should be independently secured to prevent accidental release .

WARNING ! = Be sure the clutch and the chain stopper are well engaged before boating.

Gipsy Clutch Operation

Gipsy is connected at the main shaft (329) by a clutch , items (318 and 277).

To engage the clutch insert the handle supplied into the wingnut (317) and tighten it until you cannot move the handle any more.

To disengage the clutch loose the wingnut.

Raising The Anchor

Start the engine of the boat. Be sure that the clutch is well engaged. Draw out the handle from wingnut.

Push the button "UP" of the foot switch or remote control. **Do not use the windlass to pull the boat to the anchor.**

Release the button "UP" to stop the manoeuvre.

When you haul the last metres of the chain , pay attention to the anchor, which may damage the bow of your boat.

If case the anchor be stranded and the Lofrans circuit breaker gets released , wait some minutes before put it back into service and try the manoeuvre once more. Should the circuit breaker stop again , we suggest to fix the chain to a cleats or bollard , then use the boat engine to break the anchor loose.

For your safety we strongly recommend to turn **OFF** the circuit breaker and engage the chain stopper during navigation. Reactivate the circuit breaker and disengage the chain stopper before anchoring.

Lowering The Anchor

When you wish to lower the anchor very quickly , it is necessary disengage the clutch. The gipsy may freely run on its shaft and release the chain into the water. The chain fall can be controlled tightening the gipsy cap with the handle . At the end of the operation engage the clutch.

Under usual conditions , we suggest to lower the anchor electrically , pushing the button "DOWN" placed on the remote control or foot switch.

You will have always a perfect control of the manoeuvre , which can be interrupted any moment releasing the button "DOWN" .

Once anchored , we suggest in order to reduce the windlass load , to use a chain stopper and fix the chain with a rope to a strong point as a cleat.

Use Of The Drum Independently From The Gipsy

Stop the run of the chain , fasten it to a strong point as a chain stopper or similar. Disengage the clutch. Turn clockwise around the drum with two laps of rope. Keep the end of rope. Push the button "UP" , recovering the rope at the same time. Engage the clutch at the end of the operation.

Raise The Anchor In Case Of Emergency

Insert the handle into the emergency wheel (340). Draw it forward and backwards alternatively. As there is no ratio , please keep in mind in case of deep anchoring the stress will be hard.

MAINTENANCE

WARNING ! = Before operate turn the windlass off at the main switch and remove with attention the chain from the gipsy .

A correct and periodic maintenance operation is essential for the best efficiency of your windlass. At least once every month remove the salt layer , which forms periodically on the outer casting , to avoid electrolysis problems which could prejudice the windlass performances. Wash with a fresh water and clean all the surfaces , particularly in the most hidden points , where salts deposits. We recommended , at least once every six months , to disassemble the windlass gipsy following the instructions below.

Remove (316). Using the handle unscrew (317) , remove (318) then unscrew (217) , remove (226 and 335). Remove (276) and extract (277).

Clean and check all the parts , spray all with CRC 3097 "LONG LIFE" or WD40. Watch if there are no electrolysis traces and grease the main shaft thread.

After a long inactivity period , the electric motor could run slowly. We recommend to check and clear the brushes and replace it if necessary.

We strongly recommend to separate , at least once every year , the windlass from the deck to clean and remove the salt layer under the base.

The gearbox is proper filled with SAE 90 long life oil. If there is a leak of oil from the body , it will be necessary to disassemble and replace the seals.

For this purpose , it is available a complete set of seals. At the beginning and at the end of the season , check the motor and control box, removing eventual residues and covering the terminals with grease .

ORDERING SPARE PARTS

To identify a windlass spare parts see the spare part list. When ordering spare parts , please specify for the KOBRA model the code **B.08.101** , give us a complete model classification , the serial number , the item number and the quantity.

Contact the nearest authorised LOFRANS' distributor or directly LOFRANS' S.r.l. fax + 39 (039) 2004299 .

ATTENZIONE ! il salpa-ancore non è progettato per essere utilizzato come presa di forza a bordo dell'imbarcazione. La cima o la catena devono essere fissate a punti fissi come bitte o altro.

ATTENZIONE ! non eccedere nel carico le prestazioni indicate. Vi suggeriamo di assistere il salpa-ancore durante l'operazione di recupero , dirigendo l'imbarcazione verso il punto di ancoraggio alla minima velocità.

ATTENZIONE ! installare sempre un appropriato interruttore magneto-termico per proteggere il circuito ed il motore elettrico da surriscaldamento e danni.

ATTENZIONE ! disattivare sempre il salpa-ancore quando non è in uso per prevenire azionamenti accidentali.

ATTENZIONE ! sempre tenere mani, piedi e dita lontane dal salpa-ancore quando è in azione. Se la catena si incastra , disattivare il salpa-ancore e con estrema cautela , tentare di liberare la catena.

ATTENZIONE ! non utilizzare il salpa-ancore per impieghi diversi o in modo differente rispetto a quanto previsto dal presente manuale.

GARANZIA

Lofrans' s.r.l. garantisce i propri prodotti per un periodo di un (1) anno dalla data di acquisto. La garanzia si limita alla sostituzione gratuita dei pezzi da noi riconosciuti difettosi all'origine e che dovessero pregiudicare il corretto funzionamento dell'apparecchio. La garanzia è soggetta alle condizioni sottoelencate.

La responsabilità della Lofrans' e' limitata alla riparazione o alla sostituzione del particolare difettoso.

La Lofrans' esclude da garanzia danni o rotture derivate da impropria installazione , manomissione , incorretta manutenzione , uso errato o improprio o difforme dalle avvertenze riportate sul manuale d'istruzione , corrosione , normale usura , scoloritura e sostituzione di componenti o accessori originari con altri di tipo non approvato dal costruttore , condizioni che eccedano le specifiche di prestazione del prodotto.

La chiamata di garanzia deve essere prontamente notificata per iscritto alla Lofrans' o al suo distributore autorizzato allegando la prova di acquisto.

Il particolare ritenuto difettoso deve essere consegnato in porto franco presso le nostre officine di Monza. La Lofrans' s.r.l. non e' responsabile dei costi dovuti alla manodopera e/o al trasporto del pezzo. La Lofrans' s.r.l. declina ogni responsabilità per qualsiasi conseguenza o danno , diretto o indiretto , causato a persone o cose da difetti originari o da avarie dell'apparecchiatura o conseguente all'uso o al mancato uso della stessa. La garanzia non prevede la sostituzione dell'apparecchiatura durante il periodo di riparazione.

La Lofrans' s.r.l. si riserva il diritto di riconoscere la garanzia in caso il salpa-ancore sia comandato da componenti elettrici non adeguati , e/o in caso di mancata installazione di uno specifico interruttore magneto-termico sulla linea elettrica del salpa-ancore.

Per ogni controversia e' competente il foro di Monza.

CLASSIFICAZIONE DEL MODELLO

VI PREGHIAMO DI LEGGERE ATTENTAMENTE LE ISTRUZIONI PRIMA DI INSTALLARE ED OPERARE CON IL SALPA-ANCORE.

Compilare e barrare l'apposita casella , per permettere una completa e sicura identificazione del modello installato.

MOTORE	700 Watt 12 Volt	<input type="checkbox"/>	700 Watt 24 Volt	<input type="checkbox"/>
	1000 Watt 12 Volt	<input type="checkbox"/>	1000 Watt 24 Volt	<input type="checkbox"/>
CATENE SUPPORTATE	Ø 6 Iso - 6 Din 766 - 1/4"	<input type="checkbox"/>	Ø 10 Iso - 10 Din 766	<input type="checkbox"/>
	Ø 7 Iso - 1/4" G40	<input type="checkbox"/>	Ø 3/8" - 3/8" Din 766	<input type="checkbox"/>
	Ø 8 Iso - 8 Din 766 - 5/16"	<input type="checkbox"/>	Ø 3/8" G40	<input type="checkbox"/>
	Ø 5/16" G40	<input type="checkbox"/>	Ø 3/8" BBB	<input type="checkbox"/>
OPZIONI	Free Fall	<input type="checkbox"/>		

DATA & LUOGO D'ACQUISTO

NOTE

NUMERO DI SERIE

IMPIANTO ELETTRICO

Verificare che la tensione del motore elettrico del salpa-ancore corrisponda a quella dell'impianto di bordo. La tabella seguente mostra quale deve essere la capacità minima delle batterie , la sezione minima dei cavi e l'interruttore magneto-termico appropriato da installare sulla linea di potenza.

MOTORE	BATTERIA	SEZIONE CAVI		TERMICO
700 Watt 12 V	100 Ah	25 mm ²	3 AWG	70 Amps
700 Watt 24 V	70 Ah	16 mm ²	4 AWG	35 Amps
1000 Watt 12 V	150 Ah	35 mm ²	2 AWG	100 Amps
1000 Watt 24 V	90 Ah	25 mm ²	3 AWG	70 Amps

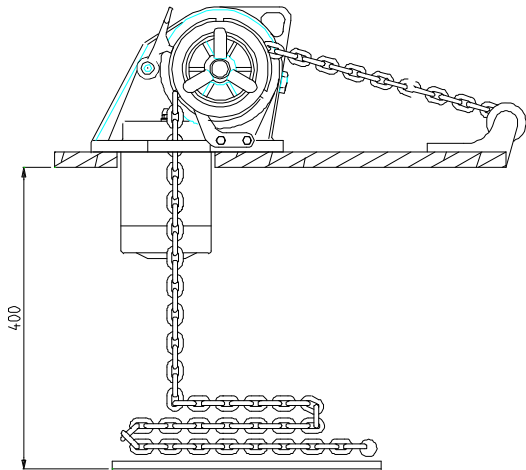
Se si alimenta il salpa-ancore con una batteria inferiore a quella espressa in tabella , può verificarsi un peggioramento delle prestazioni ed una più rapida usura della batteria. Usare cavi elettrici di buona qualità resistenti al calore. E' importante che la sezione dei cavi sia incrementata di circa il 30% - 50% qualora la lunghezza del cavo steso , negativo e positivo , superi i 10 metri di lunghezza. I cavi che alimentano i comandi elettrici , identificabili sullo schema elettrico con una linea sottile , devono avere una sezione di circa 1,5 mm². **La portata dell'interruttore magneto-termico indicata in tabella è relativa all'interruttore magneto-termico LOFRANS'. Interruttori di altra provenienza potrebbe funzionare in modo non appropriato in quanto esistono svariati tipi di curve di risposta .** L'interruttore magneto-termico protegge da correnti di corto circuito , protegge il motore del salpa-ancore da danni dovuti a un anomalo assorbimento e toglie tensione al salpa-ancore ogni volta si desidera. L'interruttore magneto-termico deve essere installato in una posizione visibile e raggiungibile in quanto per ragioni di sicurezza , è vivamente consigliabile togliere tensione al salpa-ancore quando si è in navigazione e ridarla al momento dell'ancoraggio. Installare il control box in un luogo non umido a bordo dell'imbarcazione. Si consiglia di montare almeno due tipi di comandi per azionare il salpa-ancore anche in caso di avaria di uno degli stessi. Installarne uno accanto al salpa-ancore e uno presso la timoneria. Per la protezione dei comandi elettrici installare un fusibile da 5 Ampere. **Raccomandiamo di usare esclusivamente comandi elettrici originali LOFRANS' , studiati per l'uso marino . I prodotti LOFRANS sono conformi alle direttive della comunità europea.**

Controllare che il salpa-ancore sia completo nelle sue parti. Se manca qualcosa o se qualche parte risulta danneggiata contattate subito il vostro rivenditore.

**ATTREZZI E MATERIALI E
RICHIESTI**

Punta da trapano \varnothing 9 mm , Chiavi da 10 mm A/F - 13 mm A/F
Sega Verticale , Trapano , Sigillante al Silicone

Il motore elettrico del salpa-ancore è in grado di operare sotto spruzzi e ondate d'acqua. Se sommerso ripetutamente può danneggiarsi in maniera irreparabile.



Controllare che non esistano ostacoli sopra coperta prima di installare il salpa-ancore. Assicurarsi che ci sia spazio sufficiente sulla coperta per operare con la leva. Per semplificare le operazioni di manutenzione consigliamo di installare il salpa-ancore su di un pannello removibile da fissarsi poi alla coperta della imbarcazione. Se lo spessore risulta sottile occorre rinforzare il punto in cui si desidera installare il salpa-ancore con un pannello adeguato. **Per evitare fenomeni di corrosione non usare pannelli di rinforzo in acciaio inossidabile. Su imbarcazioni costruite in acciaio o alluminio è importante che il corpo ed i prigionieri di fissaggio siano isolati dalla coperta. Usare la guarnizione fornita.**

Il salpa-ancore deve essere posizionato in corrispondenza del punto di massima profondità del gavone di prua.

Il funzionamento ottimale si ottiene quando la catena entrando nel gavone ha una caduta minima di 400 mm misurati dal sotto coperta alla cima del mucchio di catena raccolta.

Il barbotin v'è allineato col puntale di prua ; dall' imbarcazione guardando verso prua si deve vedere il barbotin sul lato destro e la campana sul lato sinistro.

La catena deve avvolgere il barbotin per un angolo di circa 90°.

Stabilita la posizione ideale , praticare i fori necessari utilizzando la dima allegata.

Fissare il salpa-ancore alla coperta usando viti e dadi M10 in acciaio inox.

Collegare i cavi provenienti dal control box e dalla batteria al motore elettrico secondo lo schema elettrico.

Introdurre la catena nel barbotin , azionare il pulsante "UP" del comando a piede o della pulsantiera e la catena sarà recuperata automaticamente nel gavone di prua.

Evitare di avvicinare le mani e/o i piedi lungo la zona di scorrimento della catena e al barbotin.

Se il salpa-ancore ruota nella direzione sbagliata invertire i cavi ai morsetti M1 con M2 del control box.

Controllare che i dadi di fissaggio siano serrati dopo i primi ancoraggi.

ATTENZIONE ! = Evitare di avvicinare le mani e/o i piedi lungo la zona di scorrimento della catena e al barbotin .

ATTENZIONE ! = Quando il salpa-ancore non è in uso o quando ci si appresta ad usare la leva , per evitare azionamenti accidentali togliere tensione alla linea elettrica collegata al salpa-ancore. Ricordarsi di ripristinare la tensione al salpa-ancore prima dell' uso .

ATTENZIONE ! = Ingaggiare il chain stopper dopo aver completato l'ancoraggio. Il salpa-ancore non deve essere usato come unico punto di presa nell' ancoraggio. L' ancora deve essere indipendentemente assicurata per prevenire rilasci accidentali.

ATTENZIONE ! = Prima di avviarsi alla navigazione serrare la frizione ed ingaggiare il chain stopper.

Uso Della Frizione

La frizione collega il barbotin all'albero principale (329) ed è composta dalle parti (318 e 277).

Per serrare la frizione inserire la leva nel volantino a tre razze (317) e avvitare finché la leva non possa muoversi ulteriormente. Per aprire la frizione allentare il volantino a tre razze.

Come Salpare

Accendere il motore dell'imbarcazione. Assicurarsi che la frizione sia serrata ed estrarre la leva. Premere il pulsante "UP" del comando a piede o della pulsantiera. Avvicinarsi con l'imbarcazione a bassa velocità verso il punto di ancoraggio per aiutare il salpa-ancore ad eseguire la manovra. **Mai e in nessun caso farsi trascinare dal salpa-ancore verso il punto di ancoraggio.** La velocità di risalita della catena sarà proporzionale al peso sollevato. Rilasciare il pulsante "UP" per arrestare la manovra. Prestare la massima attenzione agli ultimi metri di catena per evitare che l'ancora possa danneggiare la prua dell'imbarcazione.

In caso l'ancora sia incagliata e l'interruttore magneto-termico sia scattato , aspettare qualche minuto prima di riarmarlo per riprovare la manovra.

Se l'interruttore magneto-termico scatta di nuovo , consigliamo di manovrare l'imbarcazione per disincagliare l'ancora. Prima di avviarsi in navigazione isolare il salpa-ancore dall'impianto elettrico portando l'interruttore magneto-termico in posizione **OFF** e bloccare l'ancora con un gancio di sicurezza.

Come Calare

Per calare l'ancora manualmente aprire la frizione . In questo modo il barbotin sarà libero di girare sul proprio asse trascinando la catena in acqua.

La caduta della catena , può essere frenata ruotando la leva di emergenza in senso orario. Alla fine della operazione chiudere la frizione.

Per calare l'ancora elettricamente premere il pulsante "DOWN" posto sulla pulsantiera o sul comando a piede. Calando elettricamente si ha una perfetta padronanza della manovra , che può essere interrotta in ogni istante rilasciando il pulsante "DOWN". Una volta ancorati è molto importante ridurre lo sforzo sul salpa-ancore , bloccando la catena con un fermo o in alternativa legandola con una cima , ad un punto fisso.

Uso Della Campana Indipendentemente Dal Barbotin

Bloccare il movimento della catena usando un fermo o legandola con una cima ad un punto fisso. Aprire la frizione. Avvolgere la campana con due giri di cima in senso orario mantenendo in tensione l'estremo della cima non impegnato nel recupero. Premere il pulsante "UP" recuperando nel contempo la cima.

Salpare Manualmente In Caso Di Emergenza

Inserire la leva di emergenza nel volantino di emergenza (340). Azionando la leva indietro si ha la corsa utile mentre azionandola in avanti si ha la corsa di ritorno. E' da tener presente che non esistendo una riduzione lo sforzo sarà notevole nel caso di ancoraggio su fondale profondo.

MANUTENZIONE

ATTENZIONE ! = Prima di compiere operazioni di manutenzione sul salpa-ancore togliere tensione alla linea elettrica collegata al salpa-ancore e rimuovere con attenzione la catena dal barbotin.

La durata di un salpa-ancore dipende in modo rilevante da una corretta e periodica manutenzione. Almeno una volta ogni mese rimuovere lo strato di sale che si forma sulle superfici esterne del salpa-ancore , per evitare pericolosi fenomeni di corrosione che potrebbero pregiudicare l'integrità dell'apparecchio. Lavare con acqua dolce e pulire le superfici , in particolare quelle nascoste e difficilmente accessibili in cui il sale rimane imprigionato.

Almeno una volta ogni sei mesi smontare le parti esposte seguendo le istruzioni sottoelencate.

Rimuovere (316). Con la leva svitare (317) , rimuovere (318) , svitare (217) , rimuovere (226 e 335). Rimuovere (276) ed estrarre (277).

Pulire e controllare tutti i particolari affinché non presentino inizi di corrosione e ingrassare il filetto dell'albero con grasso marino.

In caso di periodi di lunga inattività del salpa-ancore si consiglia di far girare il motore a vuoto per un paio di minuti nei due sensi . Se il motore elettrico gira con difficoltà si consiglia di pulire o sostituire le spazzole. Consigliamo vivamente di separare il salpa-ancore dalla coperta almeno una volta ogni anno per rimuovere i depositi salini che si formano sotto la base. Nel caso trafile olio dal corpo, a causa del deteriorarsi delle guarnizioni , è necessario smontare il riduttore per sostituire le guarnizioni. E' disponibile , a tale scopo , un kit completo di guarnizioni di ricambio. Rabboccare il corpo riduttore con olio tipo SAE 90. Controllare periodicamente lo stato dei morsetti del motore elettrico e del control box , rimuovendo eventuali depositi e cospargendo i morsetti con del grasso.

PARTI DI RICAMBIO

Per riconoscere e identificare un particolare del salpa-ancore da sostituire esaminare il disegno esploso. All'atto dell'ordine specificare per il KOBRA il codice esploso **B.08.101** , dare una completa identificazione del modello , il numero di serie , il numero del particolare da sostituire e la quantità.

In caso di difficoltà contattare il più vicino distributore Lofrans' o direttamente la Lofrans' al numero di fax (039) 2004299.

AVERTISSEMENT ! Votre guindeau ne doit pas être utilisé comme attache pour votre chaîne ou corde d' ancrage quand le bateau est au mouillage. Toujours utiliser une attache tel que taquet, bitte d' amarrage ou un point d' attache dans le puits de chaîne.

AVERTISSEMENT ! Ne pas dépasser la capacité nominale traction du guindeau. Nous vous conseillons d'utiliser le moteur du bateau comme aide a remonter l'ancre.

AVERTISSEMENT ! Toujours utiliser un disjoncteur de la bonne valeur, pour protéger les câbles électriques et le moteur électrique du guindeau.

AVERTISSEMENT ! Pour éviter l'utilisation accidentel du guindeau, toujours débrancher le guindeau sur le tableau électrique.

AVERTISSEMENT ! Par mesure de sécurité, éloigner les mains , pieds et doigts d'un guindeau en utilisation. En cas de blocage, agir avec attention et débrancher le guindeau avant d' intervenir sur celui-ci.

AVERTISSEMENT ! Ne pas utiliser le guindeau pour autre utilisation que celle prévues.

GARANTIE

Lofrans' s.r.l. garantit ses produits pour une durée de un an (**1 an**) à compter de la date d'achat, contre tous défaut matériel ou de fabrication, dans des conditions normales d'utilisation et entretien. Toute pièce avérant défectueuse lors d'un usage normal pendant cette période d'un an sera réparée ou remplacée par Lofrans'. Cette garantie est soumise aux conditions ci-dessous.

La responsabilité de Lofrans sera limitée à la réparation ou au remplacement des parties présentant un défaut matériel ou de fabrication.

Lofrans ne sera responsable d' aucune panne résultant de une utilisation des produits dans des applications pour lesquelle ils n'ont pas été prévus, une installation défectueuse, un mauvais usage ou un entretien incorrect, une modification non autorisée du produit, la corrosion , l' usure normale , la décoloration et une utilisation dans des conditions excédant les performances spécifiées pour le produit. La réclamation en garantie doit être notifiée rapidement et par écrit à Lofrans' ou à ses distributeurs autorisés Lofrans' et accompagnée de la preuve de l' achat. La réparation sera prise en charge dès retour de la pièce défectueuse, en port payé, au distributeur Lofrans' autorisé. Lofrans' ou ses distributeurs autorisés ne supporteront aucun frais de transport ou coût de main d'oeuvre liés à la demande en garantie. Lofrans' ne pourra être tenu responsable des dommages consécutifs survenant aux yachts, équipements ou autres biens ou personnes, du fait de l'utilisation ou de l'installation d'équipements Lofrans'. Les garanties tacites sont limitées à la durée de vie de la présente garantie. Tous les dommages incidents et/ou consécutifs sont exclus de la présente garantie. Certains Etats n'autorisant pas de telles limitations des durée des garanties tacites, ni l'exclusion ou la limitation des dommages incidents et/ou consécutifs ; les présentes limitations ou exclusions peuvent, dans ce cas, ne pas vous être applicables. **Lofrans' se réserve le droit de rejeter la demande en garantie si le guindeau est commandé par des accessoires électriques non conformes et/ou en cas de non installation du disjoncteur adapté sur l' alimentation électrique du guindeau.**

MODÈLE ET CLASSIFICATION

POUR VOTRE SÉCURITÉ, LISEZ ATTENTIVEMENT LA NOTICE AVANT L' INSTALLATION OU UTILISATION DE VOTRE GUINDEAU.

Remplissez ce document pour avoir la classification du guindeau installé

MOTEUR	700 Watt 12 Volt <input type="checkbox"/>	700 Watt 24 Volt <input type="checkbox"/>
	1000 Watt 12 Volt <input type="checkbox"/>	1000 Watt 24 Volt <input type="checkbox"/>
CHAÎNE	Ø 6 Iso - 6 Din 766 - 1/4" <input type="checkbox"/>	Ø 10 Iso - 10 Din 766 <input type="checkbox"/>
DISPONIBLE	Ø 7 Iso - 1/4" G40 <input type="checkbox"/>	Ø 3/8" - 3/8" Din 766 <input type="checkbox"/>
	Ø 8 Iso - 8 Din 766 - 5/16" <input type="checkbox"/>	Ø 3/8" G40 <input type="checkbox"/>
	Ø 5/16" G40 <input type="checkbox"/>	Ø 3/8" BBB <input type="checkbox"/>
OPTIONS	Libre Chute version <input type="checkbox"/>	

LIEU ET DATE D'ACHAT -----

NOTES -----

NUMÉRO DE SÉRIE -----

BRANCHEMENT ÉLECTRIQUE

Vérifier que le voltage du moteur correspond à celui du système électrique à bord. Les tableaux ci-dessous indiquent les capacités minimales des batteries du guindeau , les sections de câbles minimales conseillées et les disjoncteur d' installer sur l' alimentation.

MOTEUR	CAPACITÉ	SECTION CÂBLES		CALIBRE
700 Watt 12 V	100 Ah	25 mm ²	3 AWG	70 Amps
700 Watt 24 V	70 Ah	16 mm ²	4 AWG	35 Amps
1000 Watt 12 V	150 Ah	35 mm ²	2 AWG	100 Amps
1000 Watt 24 V	90 Ah	25 mm ²	3 AWG	70 Amps

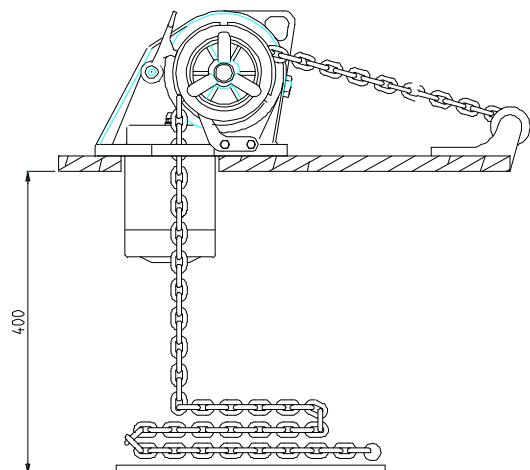
Si la batterie qui alimente le guindeau a une capacité moindre qu' indiqué dans les tableaux les performances seront dégradées et la batterie déchargera très rapidement. Nous conseillons l' utilisation de câbles électriques bonne qualité, isolés et résistants aux températures. Les valeurs de les sections de câbles devront être augmentées de 30% à 50% si le câbles positif et négatif sont rallongés plus de 10 mts. Les câbles de branchement des contrôles, indiqués dans le schéma de branchement doivent avoir une section de 1.5 mm² . **Les valeurs concernent uniquement les disjoncteurs LOFRANS et sont données à titre indicatif pour les disjoncteurs d' autres fabricants.** Le disjoncteur protège contre des courts-circuits dangereux , protège le moteur contre des dégâts dus aux consommations de courant anormales et coupe l' arrivée électrique du guindeau. Le disjoncteur doit être installé dans un endroit sec, accesible et être visible. Pour des raisons de sécurité nous conseillons que le guindeau et les organes de contrôles soient isolés pendant que le navire et ne soient activés qu' en cas de besoin. Le boîtier de contrôle composé de deux relais dans un boîtier spécial, doit être installé dans un endroit de préférences sec. Le boîtier a été conçu de façon a permettre le branchement rapide et simple des câbles électriques. Nous conseillons l' utilisation de deux commandes à distance en cas de panne sur un des contrôles du guindeau doivent être protégés par un disjoncteur de 5 ampères. **Pous tous contrôles a distance, nous vous suggérons l' utilisation de pièces d' origine LOFRANS uniquement, ces pièces étant conçues pour utilisation marine. Le matériel de LOFRANS se conforme à CE .**

Vérifier que le guindeau est complet. S' il manque des pièces ou si des pièces sont endommagées, contacter votre distributeur.

**OUTILLAGE NÉCESSAIRE À
L'INSTALLATION**

Mèche de \varnothing 9 mm , Clés de 10 mm et 13 mm
Scie sauteuse , Perceuse électrique , Mastic

Le moteur électrique du guindeau fonctionne même sous les embruns. En revanche, toute immersion l'endommagera de manière irréversible.



S' assurer que rien ne gêne sur le pont, qu'il y a suffisamment de place et que la manivelle (352) pourra être utilisée facilement. Afin de faciliter l'entretien du guindeau, Lofrans' conseille d'installer le guindeau sur une planche amovible qui est fixée sur le pont à l'aide de boulons/écrous. Si le pont n'est pas assez épais ou pas assez solide il sera nécessaire d'utiliser une contre-plaque (contre-plaqué ou bois) de taille suffisante pour étaler la charge pendant la remontée de la chaîne.

Ne jamais utiliser de l'inox car cela pourrait provoquer de l'électrolyse.

Dans le cas de bateaux en inox ou en aluminium, le corps et les éléments de fixation doivent être isolés du pont à l'aide de joints non conducteurs et d'isolateurs.

Le guindeau doit être placé où le puits à la chaîne a la profondeur maximum.

S' assurer que le puits à la chaîne a une capacité suffisante pour stocker la chaîne tout en laissant 400 mm au minimum entre le dessous du pont et le point le plus haut de la chaîne.

Le guindeau doit être placé avec le barbotin en corformité avec le rouleau de chaîne.

La chaîne doit tourner autour du barbotin avec une rotation de 90° approximativement.

Lorsque la position du guindeau a été définie , forez les trous.

Adaptez le guindeau sur le pont en utilisant les boulons et écrous inoxydable type M10 ou équivalent.

Joignez les câbles venant du le control box et la batterie au le moteur électrique comme le diagramme de câblage montre.

Introduire la chaîne dans le barbotin, actionner le poussoir "UP" et le cordage/ chaîne rentrera automatiquement dans le puits à chaîne. Faites attention de garder les pieds et le mains à l'écart de la chaîne en mouvement. Si le guindeau tourne dans le mauvais sens, inverser les câbles sur les bornes M1 et M2. Après les premières utilisations il est fortement conseillé de vérifier que les boulons/écrous de fixation sont bien serrés.

AVERTISSEMENT! = Pendant l'utilisation ne jamais approcher les mains et le pieds du barbotin ou de la chaîne.

AVERTISSEMENT! = Quand le guindeau n'est pas utilisé ou lors d'un remontée manuelle, couper l'alimentation électrique au disjoncteur.

AVERTISSEMENT! = Après avoir remonté l'ancre, toujours utiliser un bloquer de chaîne. Le guindeau ne doit jamais être utilisé comme le seul moyen de rétention de ancre dans le davier. Pour éviter de perdre l'ancre accidentellement, l'ancre doit être retenue indépendamment.

AVERTISSEMENT! = Embrayer le barbotin et activé le bloquer de la chaîne pendant la navigation.

Embrayage Du Barbotin

Le barbotin est entraîné par l'axe (329) et par un embrayage (318 et 277).

Pour embrayer, mettre la manivelle (352) dans le écrou papillon (317) et serrer en tournant dans le sens des aiguilles d'une montre jusqu'à ce que le manivelle ne puisse plus bouger. Pour débrayer, tourner le écrou papillon.

Remontée De L' Ancre

Démarrer le moteur du bateau. S'assurer que l'embrayage est enclenché. Retirer la manivelle. Appuyer sur la commande "UP" du poussoir à pied ou autre commande. **Ne jamais utiliser le guindeau pour tirer le bateau vers l'ancre.** Pour arrêter la montée de l'ancre relâcher le bouton.

Quand vous remontez les derniers mètres de chaîne, soyez attentif à l'ancre car elle pourrait endommager la proue du bateau.

Si l'ancre est coincée le disjoncteur se déclenchera; attendre quelques minutes avant de réarmer le disjoncteur et d'essayer à nouveau de remonter l'ancre. Si le disjoncteur déclanche à nouveau, nous vous conseillons d'attacher la chaîne à un taquet ou bitte d'amarage et d' utiliser le moteur du bateau pour libérer l'ancre. Pour votre sécurité nous vous conseillons de couper l'alimentation électrique du guindeau et de bloquer la chaîne pendant la navigation. Alimenter le guindeau et débloquent la chaîne uniquement pendant les phases de mouillage.

Descente De L' Ancre

Quand vous voulez descendre l'ancre rapidement il est nécessaire de débrayer le barbotin. De cette façon, le barbotin tourne librement sur l'axe et laisse courir la chaîne dans l'eau. La descente de la chaîne peut être contrôlée en resserrant progressivement la cloche avec la manivelle. Une fois la chaîne sortie, resserrer la cloche pour embrayer. En temps normal nous vous conseillons de descendre l'ancre électriquement en appuyant sur le bouton "DOWN" des commandes. De cette façon, vous gardez le contrôle de la descente de l'ancre que vous pouvez interrompre à tout moment simplement en relâchant le bouton. Une fois mouillé, nous vous conseillons de bloquer la chaîne avec un cordage soit sur un taquet, soit sur une bitte d'amarage, afin de réduire la charge sur le guindeau.

Utilisation De La Poupée Indépendamment Du Barbotin

Avant d'utiliser la poupée de cette façon, il est nécessaire d'arrêter la course de la chaîne. Desserrer l'embrayage, et passer deux tours de corde autour de la poupée et serrer l'extrémité libre du cordage. Presser le bouton "UP" tout en récupérant le cordage. Resserrer l'embrayage à la fin de l'opération.

Remontée de l'ancre en cas d'urgence

Insérant la poignée de secours dans le volant (340) et en l'actionnant alternativement vers l'avant et vers l'arrière. Dans la mesure où aucune démultiplication n'a lieu, l'effort sera important en cas d'amarage profond.

ENTRETIEN

AVERTISSEMENT! = Avant d'intervenir sur le guindeau, couper l'alimentation électrique au disjoncteur et enlever la chaîne du barbotin.

Une bon entretien périodique est essentiel pour que votre guindeau reste efficace. Au moins une fois par mois enlever les dépôts de sel qui se forment sur le guindeau car cela peut créer de l'électrolyse et dégrader les performances du guindeau. Laver à l'eau douce toutes les surfaces en particulier les recoins où le sel se dépose. Nous vous conseillons de démonter le barbotin au moins une fois tous les six mois en suivant les instructions suivantes.

Enlever (316). A l'aide de la manivelle dévisser le pièces (317), enlever (318), dévisser (217) et enlever (226, 335). Retirer (276 et 277).

Nettoyer et vérifier tous les pièces, asperger avec un produit tel que CRC 3097 "Longlife" ou WD40. Vérifier qu'il n'y a pas de traces d'électrolyse sur l'arbre et graisser le pas de vis. Si après une longue période d'inactivité le moteur tourne lentement nous vous conseillons de vérifier les charbons et de les remplacer si nécessaire. Il est fortement recommandé d'enlever le guindeau du pont au moins une fois par an et d'enlever les dépôts de sel qui se trouvent en dessous de la base. La carcasse est remplie d'huile SAE 90 - longue durée. S'il y a une fuite d'huile de la base il sera nécessaire d'enlever les joints et de les remplacer. Il existe un kit complet de joints pour chaque modèle. Au début et à la fin de chaque saison, vérifier le moteur et le boîtier de commande, enlever tous les résidus et couvrir les bornes avec de la graisse.

POUR COMMANDER DES PIÈCES DÉTACHÉES

Pour identifier les pièces détachées du guindeau, se rapporter à la liste des pièces détachées. Quand vous commandez les pièces détachées, spécifier modèle KOBRA code **B.08.101** et nous donner le type exact du modèle, son numéro de série, le numéro de la pièce et la quantité.

Contactez votre distributeur agréé LOFRANS' le plus proche, ou directement à LOFRANS' Srl fax +39 (039) 2004299.

WARNUNG ! Die Winde ist nicht dazu geeignet , die Ankerkette zu halten , wenn das Boot vor Anker liegt. Sichern Sie die Kette an einer starken Belegklampe und nehmen die Last von der Ankerwinde.

WARNUNG ! Beim Aufholen des Ankers empfehlen wir, Maschine zu Hilfe zu nehmen. Ziehen Sie sich nicht mit der Ankerwinde an den Anker heran !

WARNUNG ! Bauen Sie eine geeignete Sicherung ein , um die Elektrokabel und den elektrischen Motor vor Überhitzung und Beschädigung zu schützen.

WARNUNG ! Wenn die Winde nicht in Gebrauch ist, sollten Sie sicherstellen daß der **On/Off-Schalter** der Ankerwinde auf **Off** steht , um ein versehentliches Starten der Winde zu verhindern.

WARNUNG ! Halten Sie stets Füße, Hände und Finger von einer laufenden Ankerwinde fern. Falls sich Seil verknottet, ist extreme Vorsicht geboten. Sie sollten zunächst die Sicherung der Ankerwinde ausschalten, bevor Sie die Ankerkette wieder klarieren. Benutzen Sie die Winde nicht für andere Zwecke als für die sie entwickelt wurde.

GARANTIE

Lofrans' s.r.l. gewärt Garantie gegen Material- und Verarbeitungsfehler bei normaler Benutzung und Beanspruchung für ein (1) Jahr ab Kaufdatum. Jedes Teil ,das innerhalb eines Jahres bei normaler Benutzung und Beanspruchung defekt ist, wird von Lofrans' repariert oder ausgetauscht. Für diese Garantie gelten die untenstehenden Bedingungen :

Lofrans' Haftung ist auf die Reparatur oder Ersatz des mit Material- oder Verarbeitungsfehler behafteten Teils beschränkt.

Lofrans übernimmt keinerlei Haftung für Fehler durch Benutzung von Produkten in Anwendungen , für die sie nicht vorgesehen wurden ,falsche installation , Mißbrauch , nicht korrekte Wartung , Korrosion , Verschleiß , Verfärbung , unerlaubte Änderungen dieses Produktes, Bedingungen , die Leistungsfähigkeit des Produktes übersteigen.

Die Garantieansprüche müssen Lofrans oder Ihrem Händler umgehend schriftlich unter Vorlage der Quittung angezeigt werden. Die Reparatur wird nach ausreichend frankierter Rücksendung an Lofrans' oder Ihrem Händler vorgenommen. Lofrans' oder Ihrem Händler übernimmt keinerlei Versandkosten oder Arbeitskosten, die mit Garantieansprüchen zusammenhängen. Lofrans' übernimmt keine Haftung für Schäden an Yachten, Ausrüstung oder anderem Eigentum oder an Personen, die aus dem Einbau oder der Benutzung von Lofrans' Ausrüstungen resultieren. Eingeschlossene Leistungen gelten längstens für die Dauer dieser Garantie. Alle Folgeschäden sind von dieser Garantie ausgeschlossen.

Lofrans' behält sich vor , die Gewährleistung für den Fall abzulehnen daß die Winde mit nicht geeignetem Zubehör betrieben wird und/oder für den Fall, daß keine ausreichende elektrische Absicherung eingebaut wird.

MODELLBESCHREIBUNG

Zu Ihrer eigenen Sicherheit lesen Sie bitte vor dem Einbau und der Benutzung Ihrer Winde diese Informationen.

Füllen Sie bitte dieses Formblatt aus , um eine komplette Beschreibung des verwendeten Modells zu haben.

MOTOR	700 Watt 12 Volt	<input type="checkbox"/>	700 Watt 24 Volt	<input type="checkbox"/>
	1000 Watt 12 Volt	<input type="checkbox"/>	1000 Watt 24 Volt	<input type="checkbox"/>
KETTE	∅ 6 Iso - 6 Din 766 - 1/4"	<input type="checkbox"/>	∅ 10 Iso - 10 Din 766	<input type="checkbox"/>
	∅ 7 Iso - 1/4" G40	<input type="checkbox"/>	∅ 3/8" - 3/8" Din 766	<input type="checkbox"/>
	∅ 8 Iso - 8 Din 766 - 5/16"	<input type="checkbox"/>	∅ 3/8" G40	<input type="checkbox"/>
	∅ 5/16" G40	<input type="checkbox"/>	∅ 3/8" BBB	<input type="checkbox"/>
OPTIONAL	Frefallversion	<input type="checkbox"/>		

DATUM UND ORT DES KAUFES -----

BEMERKUNGEN -----

SERIENNUMMER -----

ELEKTRISCHE VERBINDUNGEN

Prüfen Sie, ob die Motorspannung der Winde zu der Spannung auf Ihrer Boot paßt. Die folgende Übersicht zeigt die Mindestleistung der Windenbatterie , Kabelquerschnitt und Sicherung.

MOTOR	BATTERIE	KABELQUERSCHNITT		SICHERUNG
700 Watt 12 V	100 Ah	25 mm ²	3 AWG	70 Amps
700 Watt 24 V	70 Ah	16 mm ²	4 AWG	35 Amps
1000 Watt 12 V	150 Ah	35 mm ²	2 AWG	100 Amps
1000 Watt 24 V	90 Ah	25 mm ²	3 AWG	70 Amps

Wenn die Winde mit einer schwächeren Batterie als hier angegeben betrieben wird, ist die Leistung geringer und der Verschleiß größer. Wir empfehlen den Gebrauch bester Qualitäts-kabel, die isolieren und hitzebeständig sind. Der Kabelquerschnitt sollten um 30% - 50% erhöht werden, falls die Länge der Kabel , positiv un negativ , mehr als 10 Meter beträg. Die Kabel ,die mit elektrischen Schaltern verbunden sind (dargestellt durch dünne Linien im Schaltplan), sollten einen Durchmesser von ca.1.5 mm² haben. **Diese Leistungen beziehen sich nur auf Lofrans'-Sicherungen und treffen auf andere Sicherungen möglicherweise nicht zu.** Die Sicherung hat drei Funktionen , sie schützt vor gefährlichen Kurzschlüssen , sie schützt den Windenmotor vor Schäden durch übermäßige Stromaufnahme und sie unterbricht die Spannung zur Winde falls gewünscht. Die Sicherung muß an einem trockenen, zugänglichen und sichtbaren Platz installiert werden. Aus Sicherheitsgründen empfehlen wir, daß die Winde und die Fernbedienung während der Fahrt voneinander getrennt und während des Ankermanövers wieder miteinander verbunden werden. Sie sollten die Kontrollbox möglichst an einem trockenen Platz an Bord installieren. Wir empfehlen , mindestens zwei Fernbedienungen einzubauen , um die Ankerwinde auch dann noch steuern zu können , wenn eine von ihnen beschädigt werden sollte. Zum Schutz der elektrischen Fernbedienungen ist es notwendig , eine Sicherung von 5 Ampere einzubauen.

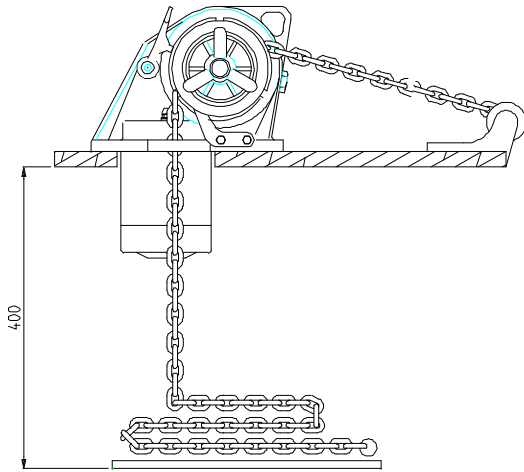
Bezüglich elektrischer Fernbedienungen empfehlen wir Ihnen , ausschließlich Original Lofrans'-Komponenten zu verwenden, die für die Benutzung auf See entwickelt wurden Lofrans-Produkte entsprechen den EG-Normen und sind CE-geprüft.

Überprüfen Sie, ob die Winde komplett geliefert wurde. Sollten Teile fehlen oder beschädigt sein, wenden Sie sich bitte an Ihren Händler.

**BENÖTIGTES WERKZEUG
UND MATERIAL**

Bohrer \varnothing 9 mm , Schraubenschlüssen
Stichsäge , elektrischer Bohrer , Silikonversiegelung

Der Elektromotor verträgt Spritzwasser ; wird er jedoch unter Wasser gesetzt, ist er irreparabel beschädigt.



Achten Sie darauf daß das Deck keine Unebenheiten aufweist Sorgen Sie dafür , daß Sie ausreichend Platz für die Benutzung der Handkurbel haben (Teil 352).

Um die spätere Wartung der Winde zu vereinfachen , empfiehlt Lofrans Ihnen , die Winde auf einem beweglichen Paneel zu montieren , das durch Bolzen am Deck fixiert wird.

Um Elektrolyseprobleme zu vermeiden , sollten Sie keine Unterlage aus Edelstahl verwenden.

Die Befestigungsschrauben müssen elektrisch isoliert vom Schiffskörper angebracht werden.

Die Ankerwinde muß plaziert werden, wo das Kettenschließfach die maximale Tiefe hat.

Beachten Sie, daß der Kettenkasten ausreichend groß dimensioniert ist, um die Kette aufnehmen zu können. Vergewissern Sie sich , daß der Ankerkasten groß genug ist um die gesamte Kette aufzunehmen und dabei noch eine Mindesthöhe von 400 mm zwischen Decksunterseite und der aufgestapelten Kette frei bleibt.

Die Winde muß so installiert werden , daß Kettenuß und Bugrolle eine gerade Linie bilden. Die Kette muß um die Kettenuß mit einer Drehung von etwa 90° laufen.

Wenn Sie die korrekte Position der Ankerwinde festgelegt haben bohren Sie die entsprechenden Löcher anhand der mitgelieferten Schablone Die mitgelieferte Dichtung gehört unter die den Sockel der Winde.

Plazieren und Fixieren Sie die Ankerwinde mit Schraubbolzen und Muttern M10.

Verbinden Sie die Kabel zur Batterie wie im Schaltplan gezeigt. Führen Sie das Seil/die Kette in die. Kettenuß ein , betätigen Sie den "UP"-Schalter des Fußschalters oder der Fernbedienung.

Die Kette wird dann automatisch in Ihren Ankerkasten geführt Achten Sie darauf , Hände und Füße von der laufenden Kette fernzuhalten. Sollte die Winde in die falsche Richtung laufen , tauschen Sie die Kabel M1 und M2 an der Kontrollbox. Nach Benutzung der Ankerwinde empfehlen wir dringend die Muttern zu kontrollieren und gegebenenfalls nachzuziehen.

ACHTUNG ! = Halten Sie Hände und Füße von Kettenuß und Kette fern, wenn die Winde in Betrieb ist.

ACHTUNG! = Wenn die Winde nicht benutzt wird oder per Handkurbel bedient wird, unterbrechen Sie die Stromzufuhr durch Ausschalten der Sicherung.

ACHTUNG! = Betätigen Sie den Kettenstopper nach dem Ankern. Die Ankerwinde darf nicht als einziges Mittel zur Sicherung des Ankers im Bugbeschlag benutzt werden. Anker sollten unabhängig voneinander gesichert werden, um versehentliches Losmachen zu verhindern.

ACHTUNG! = Bevor Die Schiffantr Anzulassen, Die Kupplung Verschließen und das Kettenstopper in Dienst nehmen.

Benutzung Der Kettenuß-Kupplung

Die Kettenuß wird durch eine Konenkupplung (teilen 318 und 277) beklemmt und mit der Hauptwelle (teil 329) verbunden. Um die Kupplung zu verschließen, die Handkurbel in Muttern (teil 317) einfügen, und im Uhrzeigersinn einschrauben, bis die Handkurbel nicht sich verschieben kann. Um die Kupplung zu öffnen Muttern lockern.

Heben Des Ankers

Starten Sie den Motor Ihres Schiffes. Vergewissern Sie sich, daß die Kupplung angezogen ist und ziehen Sie den Notgriff aus der Mutter. Betätigen Sie den "UP"-Schalter Ihrer Fernbedienung. **Benutzen Sie die Winde nicht, um das Boot an den Anker zu ziehen.**

Die Aufholgeschwindigkeit paßt sich an das zu hebende Gewicht an. Lassen Sie den "UP"-Schalter los, um das Manöver zu beenden. Wenn Sie die letzten Meter der Kette hochziehen, reduzieren Sie die Geschwindigkeit der Winde und achten Sie auf den Anker. Falls der Anker zu schnell hochgezogen wird, könne er den Bug Ihres Bootes beschädigen. Für den Fall daß der Anker auf Grund sitzt und die Lofrans-Sicherung ausgelöst wird, empfehlen wir, einige Minuten zu warten, bevor Sie wieder einschalten und das Manöver nochmals versuchen. Sollte der Motor wieder stoppen, empfehlen wir, daß Sie die Kette am Stopper oder einem Poller festmachen und den Bootsmotor benutzen um den Anker zu lösen.

Aus Sicherheitsgründen empfehlen wir Ihnen dringend, des Sicherheitsschalter auf **OFF** zu schalten und den Kettenstopper während der Fahrt einzuschalten. Während des Anker-manövers schalten Sie den Stromunterbrecher wieder ein und den Kettenstopper aus.

Herunterlassen Des Ankers

Wenn Sie den Anker sehr schnell herunterlassen möchten, ist es nötig auszukuppeln. Auf diese Art kann die Kettenuß auf der Welle frei laufen und die Kette ins Wasser lassen. Der Fall der Ankerkette kann durch Drehen des Notgriffes im Uhrzeigersinn gestoppt werden. Am Ende dieses Vorgangs kuppeln Sie ein. Unter normalen Umständen empfehlen wir, den Anker elektrisch herunterzulassen, indem der DOWN-Schalter der Fernbedienung oder des Fußschalters benutzt wird. Wenn Sie den Anker auf diese Weise herunterlassen, haben Sie größtmögliche Kontrolle über Ihr Manöver, da Sie es jederzeit durch Loslassen des DOWN-Schalters unterbrechen können. Wenn Sie von Anker gegangen sind, empfehlen wir Ihnen einen Kettenstopper zu benutzen und die Kette mit einem Seil an einer Klampe oder einem Poller festzumachen, um die Last der Winde zu nehmen.

Gebrauch der Trommel

Stoppen Sie den Durchlauf der Kette, befestigen Sie ihn an einem starken Punkt als Kettenstopper oder ähnlich. Lösen Sie die Kupplung. Drehen Sie nach rechts um die Trommel mit zwei Schößen des Seils. Halten Sie das Ende de Seils. Betätigen Sie die Taste "UP" und das Seil gleichzeitig wiederherstellen. Rasten Sie die Kupplung am Ende der Operation ein.

Heben Sie Den Anker Im Notfall An

Setzen Sie den Handkurbel in das manuelle Notrad (teil 340) ein. Zeichnen Sie es vorwärts und rückwärts wechselweise. Da es kein Verhältnis gibt, halten Sie bitte im Verstand, falls von tief befestigen der Druck hart ist.

WARTUNG

WARNUNG ! = Von allen Wartungsarbeiten an der Winde unterbrechen Sie die Stromzufuhr, indem Sie den Stromunterbrecher auf OFF stellen und entfernen Sie vorsichtig die Kette von der Kettenuß und das Tau von der Trommel.

Eine korrekte und regelmäßige Wartung ist unabdingbar für die volle Leistungsfähigkeit Ihrer Winde. Entfernen Sie die Salzschiicht, die sich regelmäßig auf dem äußeren Gehäuse absetzt, mindestens einmal im Monat, um Elektrolyseprobleme zu vermeiden. Reinigen Sie die Oberflächen-vor allem die schwer zugänglichen Stellen, an denen sich Salz ablagert-mit klarem Wasser. Wir empfehlen, mindestens alle sechs Monate die Kettenuß und die Trommel wie folgt auseinander zu bauen.

Lösen Sie Teil 316. Schrauben Sie Teil 317 los, entfernen Sie Teil 318. Lösen Sie Teil 217 entfernen Sie Teil 226 und 335 entfernen Sie Teil 276 und 277.

Reinigen und überprüfen Sie alle Teile und sprühen Sie anschließend mit CRC 3097 "LONG LIFE" oder WD40 ein.

Achten Sie darauf, daß keine Elektrolyse-Spuren vorhanden sind und fetten Sie das Gewinde der Hauptwelle. Falls der Elektromotor nach längerer Zeit der Nichtbenutzung langsam läuft, empfehlen wir, die Kohlebürsten zu kontrollieren und, wenn nötig auszutauschen. Falls die Getriebebox und der Elektromotor in der feuchten Umgebung eines Kettenkastens installiert sind, empfehlen wir Ihnen dringend, mindestens einmal jährlich die Unterdeckeinheit zu demontieren und gründlich zu reinigen, um Salzablagerungen von der Getriebebox und vom Sockel zu entfernen.

Das Getriebegehäuse ist gefüllt mit SAE 90 long life öl. Falls aus der Getriebebox öl ausläuft muß diese auseinander gebaut werden und die Dichtungen müssen ausgetauscht werden. Komplette Dichtungssätze sind zu diesem Zweck verfügbar. Zu Beginn und zum Ende der Saison untersuchen Sie den Motor und die Kontrollbox entfernen Sie eventuell vorhandene Ablagerungen und fetten Sie die Klemmen ein.

ERSATZTEILBESTELLUNG

Sehen Sie in die Ersatzteilliste um Windenersatzteile zu bestimmen. Wenn Sie Ersatzteile bestellen, nennen Sie für das Modell KOBRA unbedingt den Code **B.08.101**. Nennen Sie uns eine komplette Modellbeschreibung, die Seriennummer, die gewünschten Teile und die Anzahl. Falls Sie Fragen haben, wenden Sie sich bitte an Ihren Händler oder direkt an Lofrans S.r.l. Fax +39 (039) 2004299.

ATENCIÓN ! Su molinete no ha sido diseñado como punto de amarre de su ancla (cadena o cabo) cuando está anclado. El ancla debe sujetarse a una cornamusa , bita, etc.

ATENCIÓN ! No exceder la capacidad nominal de carga de molinete. Aconsejamos utilizar el motor de la embarcación como ayada para recuperar el ancla.

ATENCIÓN ! Utilizar siempre un magnetotermo apropiado para proteger los cables eléctricos y el motor.

ATENCIÓN ! Para evitar la puesta en marcha accidental , desconectar siempre el molinete.

ATENCIÓN ! Por razones de seguridad no acercar las manos , dedos y pies al molinete cuando esté en funcionamiento. En caso de bloqueo desconectar el molinete antes de intentar repararlo.

ATENCIÓN ! No debe utilizarse el molinete para trabajos distintos del que fue diseñado.

CONDICIONES DE GARANTÍA

Lofrans' s.r.l. garantiza todos sus productos por un periodo de un (1) año desde la fecha de compra. La garantía se limita a la sustitución de la pieza defectuosa de origen y no al incorrecto uso del aparato. La garantía está supeditada a las condiciones siguientes.

La responsabilidad de Lofrans' se limitará a la reparación o cambio de la pieza defectuosa.

Lofrans' no garantiza la rotura o avería debidas a instalación defectuosa, mal trato , mala consevación , uso incorrecto o impropio al especificado en el manual de instrucciones , corrosión , cambio de componentes o accesorios no autorizados por el constructor , condiciones que excedan las prestaciones del producto.

La reclamación deberá comunicarse de inmediato por escrito a Lofrans' o al distributor autorizado. Lofrans' o su distributor no serán responsables de los gastos de envío o mano de obra de la reclamación de garantía.

Lofrans' declina cualquier responsabilidad por los daños, por el uso o instalación de sus productos causados sobre personas , embarcaciones o cosas. Todas las responsabilidades estarán limitadas al tiempo de validez de la garantía.

Lofrans' s.r.l. se reserva el derecho de reconsiderar la garantía en el supuesto que los componentes eléctricos no sean los adecuados o por la falta del magnetotermo en la instalación eléctrica.

IDENTIFICATION DE MODELO

Leer estas instrucciones antes de iniciar la instalación y puesta en marcha. Llenar este formulario para tener el detalle completo del modelo instalado.

MOTOR	700 Watt 12 Volt	<input type="checkbox"/>	700 Watt 24 Volt	<input type="checkbox"/>
	1000 Watt 12 Volt	<input type="checkbox"/>	1000 Watt 24 Volt	<input type="checkbox"/>
CADENA DISPONIBLE	∅ 6 Iso - 6 Din 766 - 1/4"	<input type="checkbox"/>	∅ 10 Iso - 10 Din 766	<input type="checkbox"/>
	∅ 7 Iso - 1/4" G40	<input type="checkbox"/>	∅ 3/8" - 3/8" Din 766	<input type="checkbox"/>
	∅ 8 Iso - 8 Din 766 - 5/16"	<input type="checkbox"/>	∅ 3/8" G40	<input type="checkbox"/>
	∅ 5/16" G40	<input type="checkbox"/>	∅ 3/8" BBB	<input type="checkbox"/>
OPCIONAL	Version caida libre	<input type="checkbox"/>		

LUGAR&FECHA DE COMPRA

NOTAS

NUMERO DE SERIE

PLANO ELECTRICO

Comprobar que la tensión del motor corresponde a la de abordo. Las baterías , las seccion cable mínimas y el disyuntor son :

MOTOR	BATERIA	SECCION CABLE		DISYUNTOR
700 Watt 12 V	100 Ah	25 mm ²	3 AWG	70 Amps
700 Watt 24 V	70 Ah	16 mm ²	4 AWG	35 Amps
1000 Watt 12 V	150 Ah	35 mm ²	2 AWG	100 Amps
1000 Watt 24 V	90 Ah	25 mm ²	3 AWG	70 Amps

Si el molinete se alimenta de una batería inferior, su funcionamiento será defectuoso y la batería se estropeará rapidamente. Aconsejamos instalar cables de gran calidad , aislantes y resistentes al calor. Es importante si la distancia de los cables es mayor de 10 mts. (29') estos valores se incrementarán dell 30% - 50%. Los cables conectados a los mandos eléctricos que aparecen en el esquema con una raya fina , deberán ser de 1.5 mm² ó 16 AWG aprox.

Estos valores se refieren solamente a los disyuntores Lofrans' y pueden no ser correctos para otros disyuntores.

El disyuntor debe instalarse en un lugar seco , y de fácil acceso. Por razones de seguridad le aconsejamos que el circuito esté desconectado durante la travesía y conectado de nuevo para fondear. Instalar la caja de control preferemente en un lugar seco. Aconsejamos instalar dos mandos a distancia para poder accionar el molinete en caso de avería de uno de ellos. Como protección del mando a distancia es necesario instalar un disyuntor de 5 Amps. Para todos los mandos a distancia aconsejamos instalar solamente componentes originales Lofrans' pues han sido diseñados para ambiente marino.

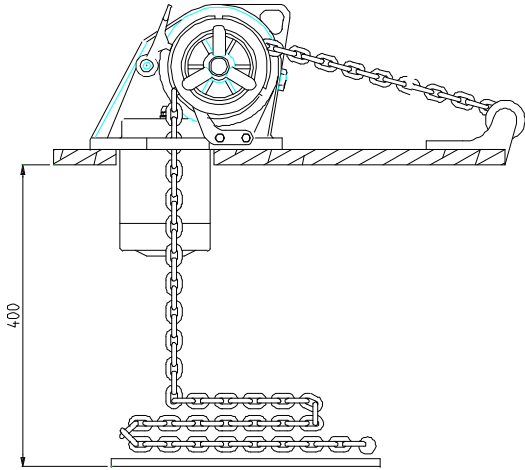
Todos los productos Lofrans' cumplen las Directrices Europeas y tienen la certificación CE.

Comprobar que el molinete está completo. Si falta alguna pieza o alguna está defectuosa , deben reclamar a su proveedor.

**HERRAMIENTAS Y MATERIALES
NECESARIOS**

Broca Ø 9 mm , Llave 13 mm
Sierra , Taladro , Silicona

El motor eléctrico puede trabajar con salpicaduras , pero si se sumerge quedará irreparable.



Asegurarse que no haya obstáculos bajo cubierta y espacio suficiente para mover la palanca (352). Comprobar que hay suficiente espacio para utilizar la palanca. Con el fin de facilitar su mantenimiento , Lofrans' sugiere instalar el molinete sobre una base desmontable, fijada sobre la cubierta con pernos. En el supuesto de una cubierta muy delgada , será necesario poner una placa que pueda soportar el esfuerzo que realiza el molinete al levar el ancla. **Para evitar el problema de la electrolisis , no deben utilizarse placas de acero inox bajo cubierta.**

Para cascos de acero o aluminio es muy importante que el molinete sea aislados de la cubierta con un ajunta no conductiva y con aisladores.

Colocar el molinete sobre cubierta de manera que el barboten quede en línea con la puntera. La cadena debe girar sobre el barboten 90° aprox.

Comprebar que la caja de cadena tiene capacidad suficiente para almacenar toda la cadena y quede un espacio mínimo de 400 mm , entre la cubierta y la parte superior de la cadena estibada.

Cuando se ha elegido el lugar a instalar el molinete , hacer los agujeros con la plantilla que se facilita. Colocar la junta bajo la base del molinete.

Fijar el molinete con los pernos M10 in acero inoxidable.

Conectar los cables da la batería al motor electrico según el esquema eléctrico. Colocar el cabo/cadena en el barboten y apretar el interruptor "UP" y la cadena caerá en la caja de la cadena. No acercar las manos ni los pies a la cadena cuando funciona.

Si el molinete gira en sentido contrario , cambiar los cablos M1 y M2 en la caja de control. Después de utilizar el molinete aconsejamos verificar que las tuercas están fijas.

ATENCIÓN ! = No acercar los pies ni las manos al barboten o cadena cuando esté en funcionamiento.

ATENCIÓN ! = Cuando no se utilice el molinete o se haga manualmente debe desconectarse el magnetotermo.

ATENCIÓN ! = Fijar la cadena despues de fondear. El molinete no debe ser el único seguro del ancla sobre la puntera. El ancla debe asegurarse independientemente para prevenir la caída accidental.

ATENCIÓN ! = Fijar la cadena durante la travesía.

Funcionamiento Del Embrague Del Barboten

El barbotén está conectado al eje principal (329) a través del embrague (318 y 277) . Para embragar colocar la palanca en la tuerca (317) y girar en sentido de las agujas del reloj hasta que no pueda más. Para desembragar girar al revés.

Levar El Ancla

Poner en marcha el motor de la embarcación. Asegurarse que esté bien embragado. Sacar la palanca de la tuerca del barboten. Pulsar "UP" del interruptor o del mando a distancia. **No debe utilizarse el molinete para acercar la embarcación al ancla.** Soltar el botón "UP" para detener la maniobra. Cuando leve los últimos metros de cadena , vigilar el ancla que puede dañar la proa de la embarcación. Si el ancla se para y el magnetotermo se desconecta esperar algunos minutos antes de conectarlo de nuevo y probar la maniobra otra vez. Si el magnetotermo salta , sugerimos fijar la cadena a una bita y utilizar el motor de la embarcación para recuperar el ancla. Para su seguridad le aconsejamos encarecidamente desconectar el molinete y fijar la cadena durante la travesía.

Conectar de nuevo el magnetotermo y liberar la cadena antes de fondear.

Bajar EL Ancla

Para largar el ancla muy deprisa , es necesario desembragar y el barbotén girará libremente y dejará caer la cadena en el agua. La caída puede ser controlada apretando la tuerca del barbotén con la palanca. Al acabar el fondeo , embragar de nuevo: En condiciones normales aconsejamos fondear eléctricamente , pulsando "DOWN" del interruptor o del mando a distancia, teniendo así un control perfecto de la maniobra y poder parar en cualquier momento , dejando el mando "DOWN". Una vez fondeado , sugerimos fijar la cadena para reducir el esfuerzo del molinete.

Como Utilizar La Campana Independientemente Del Barbotin

Fijar la cadena al retenedor , bita y desembregar. Colocar dos vueltas de cabo en la campana y accionaria tirando del extremo del cabo. Pulsar "UP" cobrando el cabo al mismo tiempo. Embragar de nuevo al acabar la maniobra.

Levar El Ancla En Caso De Emergencia

Colocar la palanca en la rueda de emergencia (340). Trácela adelante y al revés alternativamente. Como no hay reductora , recordar que en fondeos profundos el esfuerzo será grande.

MANTENIMIENTO

ATENCIÓN ! = Antes de empezar , desconectar el molinete y sacar con cuidado la cadena del barboten.

Un mantenimiento periódico del molinete es esencial para su perfecto funcionamiento: Al menos una vez al mes debe sacarse la sal que se adhiere a la carcasa , para evitar la electrolisis que podría perjudicar su conservación. Lavar con agua dulce todas las superficies , en especial los rincones donde se deposita la sal. Recomendamos desmontar el barboten , al menos una vez cada seis meses , siguiendo las instrucciones.

Sacar (316). Con la maneta aflojar (317) y sacar (318) . Aflojar (217) y sacar (226 y 335). Sacar (276 y 277).

Limpiar y comprobar todas las piezas y rociarlas con CRC o WD40. Verificar si existen evidencias de electrolisis y engrasar la rosca del eje principal.

Si después de un largo periodo de inactividad el motor funciona lentamente , recomendamos comprobar y limpiar las escobillas o cambiarlas si es preciso.

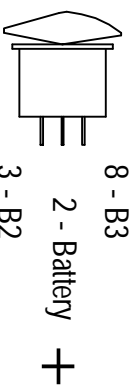
Aconsejamos desmontar el molinete de la cubierta , al menos una vez cada año, para limpiar la sal de la base. El molinete contiene aceite SAE 90 de larga vida. Si hay una fuga en el cuerpo , deberá desmontarse y cambiar los rotenes. Para ello estación , comprobar el motor y la caja de control , limpiar cualquier residuo y engrasar los bornes.

COMO PEDIR RECAMBIOS

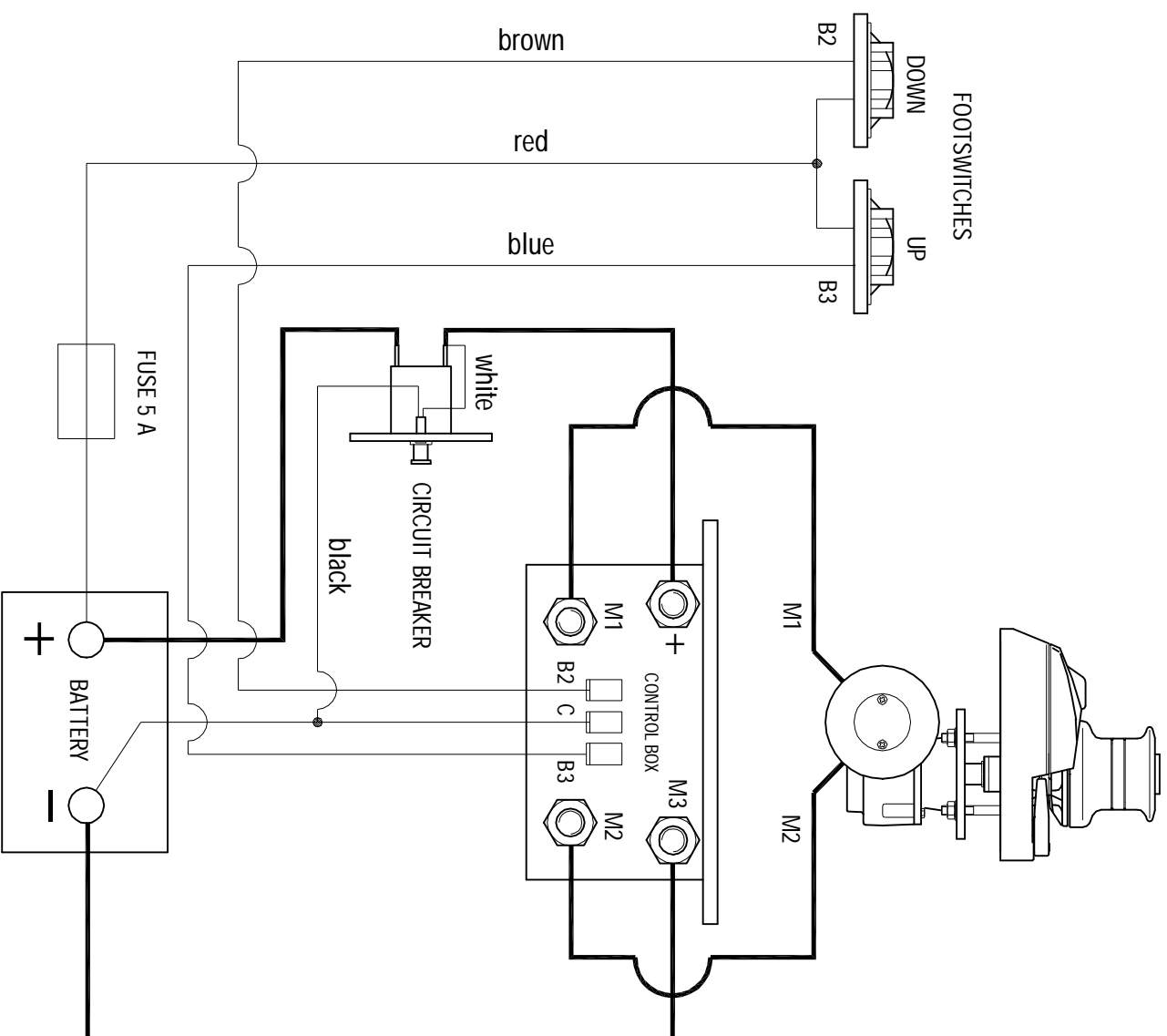
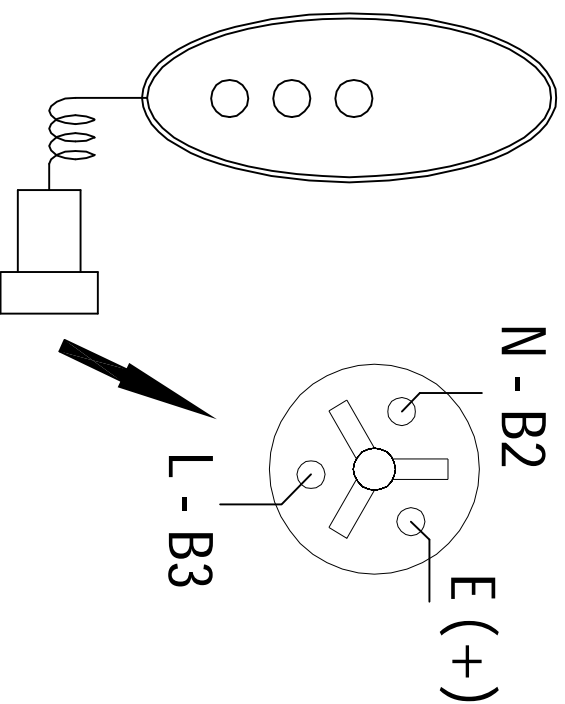
Consultar la lista de recambios para identificarlos. Al pedir recambios deberán especificar para el modelo KOBRA clave **B.08.101** indicando exactamente el modelo , número de serie , el número del recambio y la cantidad. Consultar al distributor o directamente a Lofrans' s.r.l. fax +39 (039) 2004299.

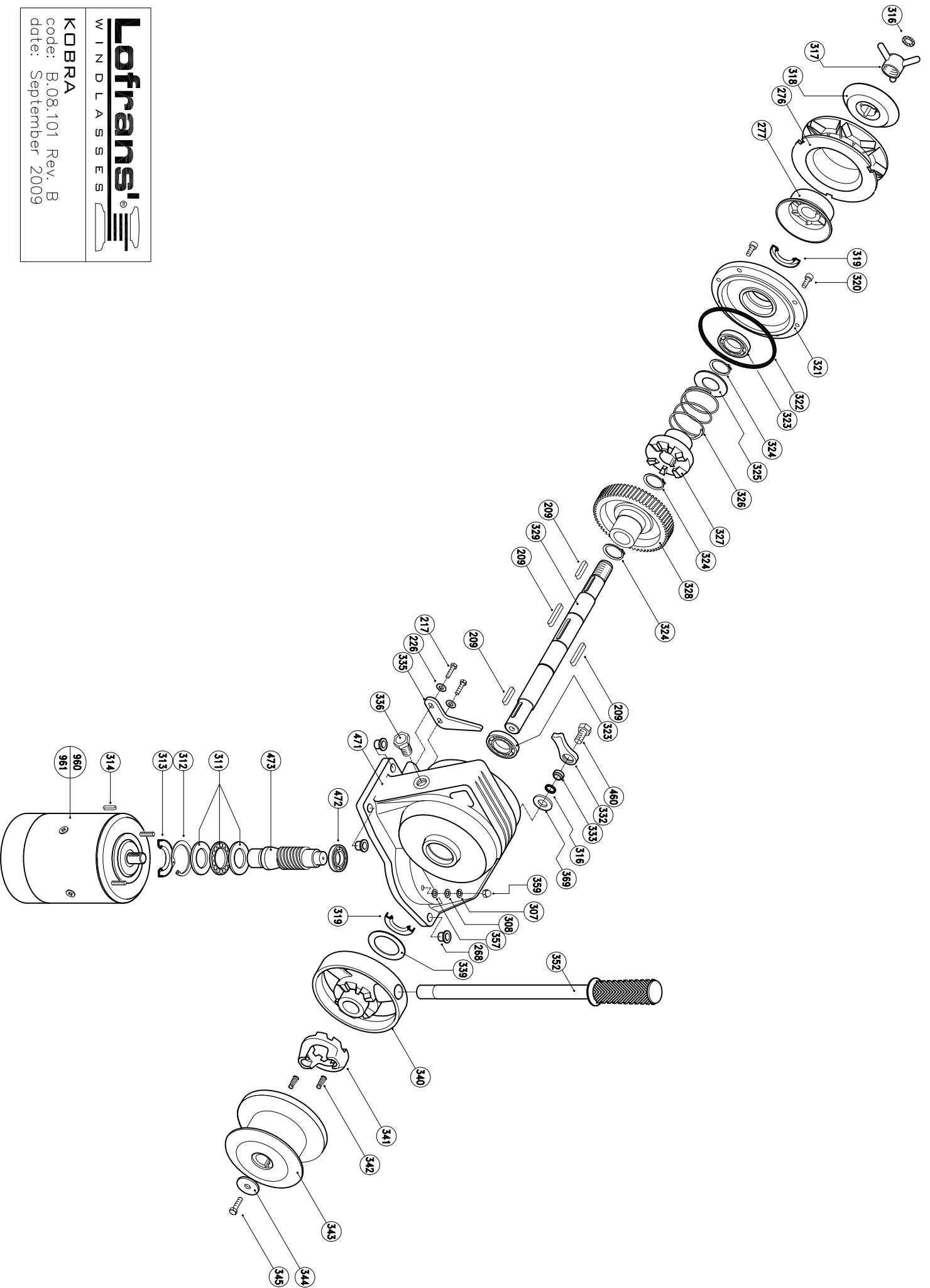
WIRING DIAGRAM - 2 TERMINALS ELECTRIC MOTOR

ROCKER SWITCH TYPE C



HAND HELD REMOTE CONTROL GALAXY 103





Lofransi®
W I N D L A S S E S

KOBRA
code: B.08.101 Rev. B
date: September 2009

