

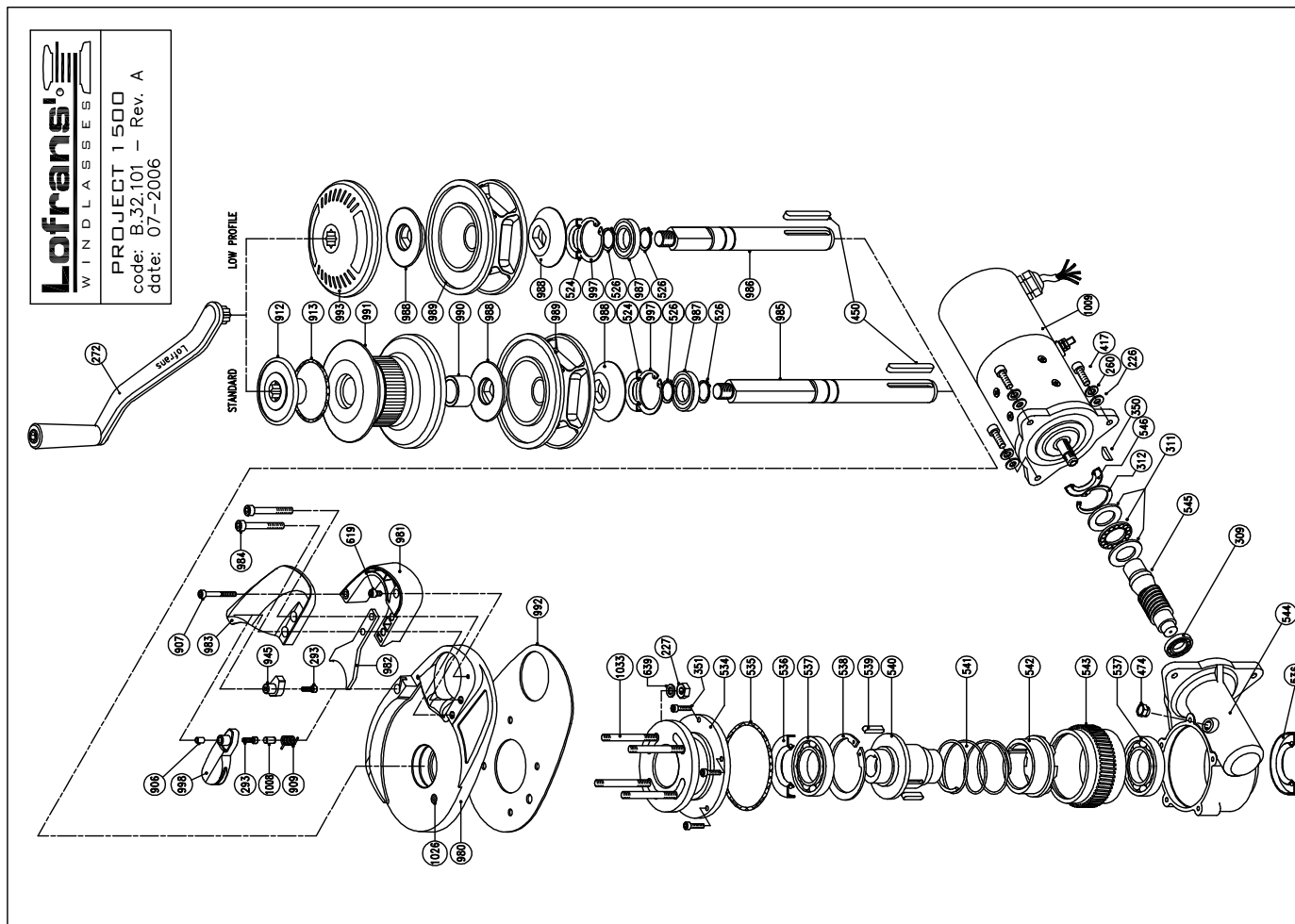
9 LISTA PARTI

9 PART LIST

9 LISTE DE PIECES

9 LISTA PARTI

9 LISTA PARTI



9 LISTA PARTI

9 PART LIST

9 LISTE DE PIECES

9 LISTA PARTI

9 LISTA PARTI

**PROJECT 1500**

Item	Description	Kit	Qty	Item	Description	Kit	Qty
226	Washer for screw M6	Kit B	3	KA32101	Kit A - Seals		1
227	Nut - M8	Kit B	4	KB32101	Kit B - Screw&Nuts		1
260	Spring washer for screw M8	Kit B	3	KC06101	Kit C - Keys		1
272	Handle		1	KD06101	Kit D - Circlips		1
293	Hd cap screw - M6x16	Kit F	1	KF32101	Kit F - Finger		1
309	Bearing - 6203		1	KF32102	Kit F - S/S Finger (option)		1
311	Thrust bearing - 51105		1				
312	Circlip - 43 Din 472	Kit D	1				
350	Round key - 4x6,5	Kit C	1				
351	Hd cap screw - M6x20	Kit B	6				
417	Hex hd screw - M8x30	Kit B	3				
450	Key - 8x7x80	Kit C	1				
474	Oil plug 1/4"		1				
524	Seal - 30x55x10	Kit A	1				
526	Circlip - 30 DIN 471	Kit D	2				
534	Gearcase - upper		1				
535	O Ring - 4500	Kit A	1				
536	Seal - 45x60x7	Kit A	2				
537	Bearing - 16009		2				
538	Circlip - 100 DIN 472	Kit D	1				
539	Key - 8x7x35	Kit C	2				
540	Sleeve		1				
541	Spring		1				
542	Dog clutch		1				
543	Wormwheel		1				
544	Gearcase - lower		1				
545	Worm		1				
546	Seal - 25x45x10	Kit A	1				
619	Hd cap screw - M6x10	Kit B	1				
639	Washer for screw M6	Kit B	4				
906	Spacer	Kit F	1				
907	Hd cap screw - M6x50	Kit B	1				
909	Spring	Kit F	1				
912	Clutch nut		1				
913	O Ring - 32x87	Kit A	1				
945	Cap	Kit F	1				
980a	Base		1				
981	Support		1				
982	Stripper		1				
983a	Cover		1				
984	Hd cap screw - M8x50	Kit B	2				
985	Sld main shaft		1				
986	LP main shaft		1				
987	Stainless steel bearing - 6006 2RS		1				
988	Clutch cone		2				
989a	Gipsy - 8 Iso		1				
989b	Gipsy 10 Iso - 3/8" G40		1				
989c	Gipsy 10 Din766		1				
989d	Gipsy 12 Iso - 13 Din766		1				
990	Spacer		1				
991a	Drum		1				
992	Gasket		1				
993a	Gipsy cap		1				
997	Circlip - 55 DIN 472	Kit D	1				
998a	Finger	Kit F	1				
998b	Stainless steel finger (option)	Kit F	1				
1008	Pivot 8x14	Kit F	1				
1008a	Electric motor 1500W 12V		1				
1008b	Electric motor 1500W 24V		1				
1026	Plastic cap for sensor		1				
1033	Stud - M8x105		4				

B.32.101 Rev. A - Date: 07-2006

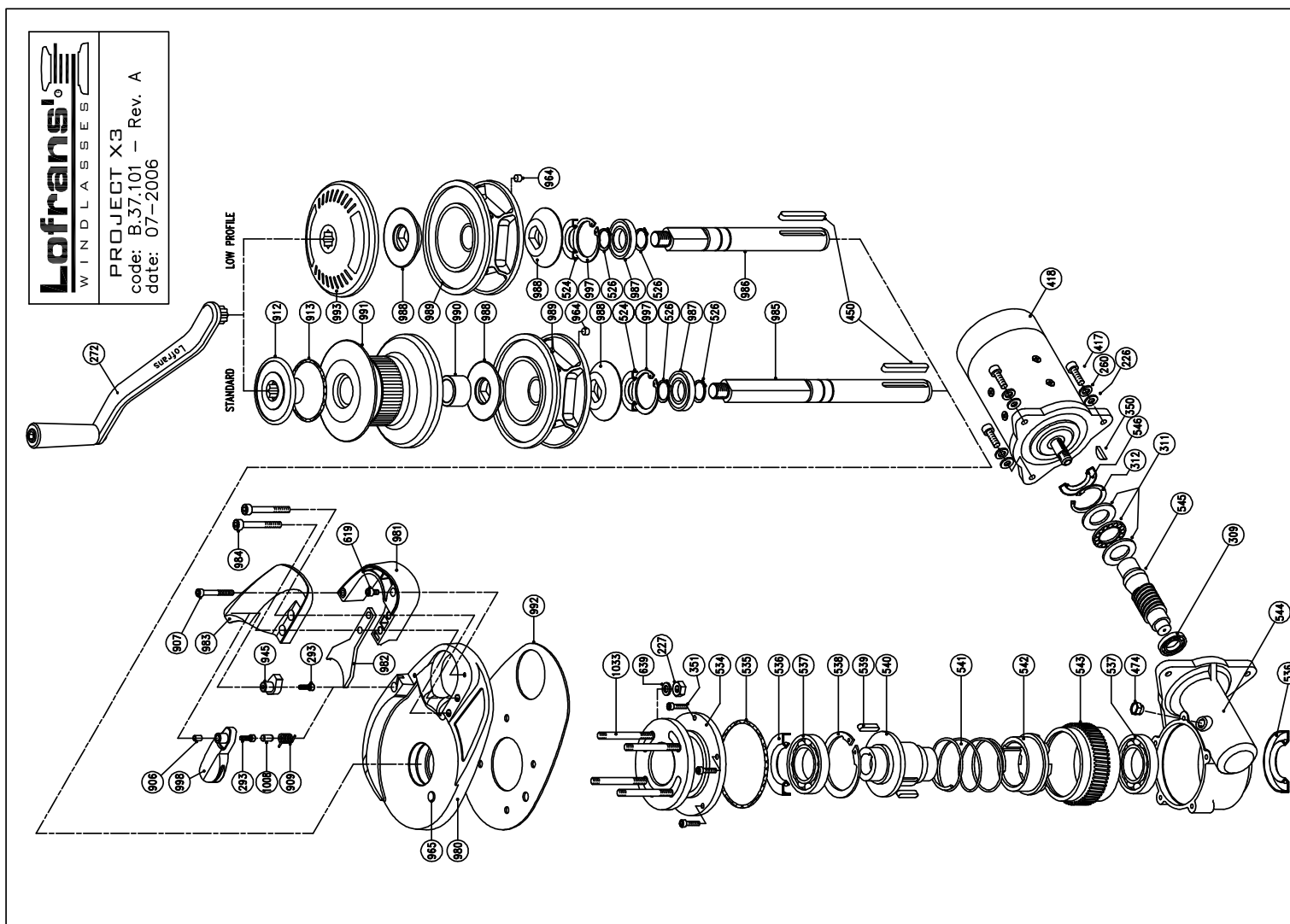
9 LISTA PARTI

9 PART LIST

9 LISTE DE PIECES

9 LISTA PARTI

9 LISTA PARTI



**PROJECT X3**

9 LISTA PARTI

9 PART LIST

9 LISTE DE PIECES

9 LISTA PARTI

9 LISTA PARTI

Item	Description	Kit	Qty	Item	Description	Kit	Qty
226	Washer for screw M8	Kit B	3	KA32101	Kit A - Seals		1
227	Nut - M8	Kit B	4	KB32101	Kit B - Screw&Nuts		1
260	Sprling washer for screw M8	Kit B	3	KD06101	Kit C - Keys		1
272	Handle		1	KF32101	Kit D - Circlips		1
293	Hi cap screw - M5x16	Kit F	1	KF32101	Kit F - Finger		1
309	Bearing - 6203		1	KF32102	Kit F - S/S Finger (option)		1
311	Thrust bearing - 51105		1	KS36101	Kit S - Sensor&magnet		1
312	Circlip - 43 Din 472		1				
350	Round key - 4x6.5	Kit D	1				
351	Hi cap screw - M6x20	Kit B	7				
417	Hex Hd screw - M8x30	Kit B	3				
418a	Electric motor 1200W 12V		1				
418b	Electric motor 1200W 24V		1				
418c	Electric motor 1500W 12V		1				
418d	Electric motor 1500W 24V		1				
450	Key - 8x7x80	Kit C	1				
474	Oil plug 1/4"		1				
524	Seal - 30x55x10	Kit A	1				
526	Circlip - 30 DIN 471	Kit D	2				
534	Gearcase - upper		1				
535	O Ring - 4500	Kit A	1				
536	Seal - 45x60x7	Kit A	2				
537	Bearing - 16109		2				
538	Circlip - 100 DIN 472	Kit D	1				
539	Key - 8x7x35	Kit C	2				
540	Sleeve		1				
541	Spring		1				
542	Dog clutch		1				
543	Warmwheel		1				
544	Gearcase - lower		1				
545	Worm		1				
546	Seal - 25x45x10	Kit A	1				
619	Hi cap screw - M6x10	Kit B	1				
639	Washer for screw M8	Kit B	4				
906	Spacer	Kit F	1				
907	Hi cap screw - M6x50	Kit B	1				
909	Spring	Kit F	1				
912	Clutch nut		1				
913	O Ring - 3287	Kit A	1				
945	Cap	Kit F	1				
964	Magnet	Kit S	1				
965	Sensor	Kit S	1				
980a	Base		1				
981	Support		1				
982	Stripper		1				
983a	Cover		1				
984	Hi cap screw - M8x50	Kit B	2				
985	Std main shaft		1				
986	LP main shaft		1				
987	Stainless steel bearing - 6006 2RS		1				
988	Clutch cone		2				
989a	Gipsy - 8 Iso		1				
989b	Gipsy - 10 Iso - 3/8" G40		1				
989c	Gipsy - 10 Din766		1				
989d	Gipsy - 12 Iso - 13 Din766		1				
990	Spacer		1				
991a	Drum		1				
992	Gasket		1				
993a	Gipsy cap		1				
997	Circlip - 55 DIN 472	Kit D	1				
998a	Finger	Kit F	1				
998b	Stainless steel finger (option)	Kit F	1				
1008	Pivot 8x14	Kit F	1				
1033	Stud - M8x105		4				

B.37.101 Rev. A - Date: 07-2006

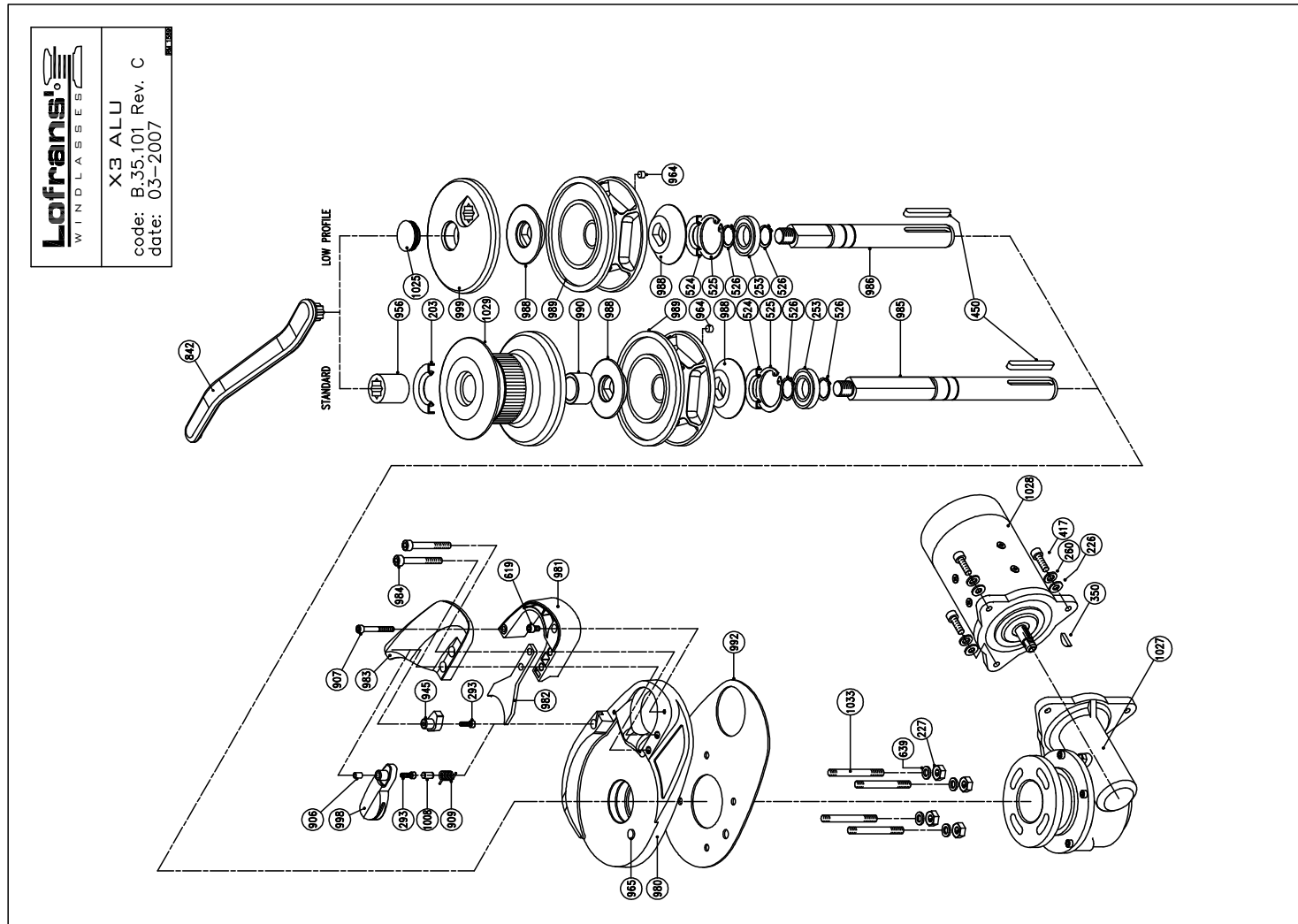
9 LISTA PARTI

9 PART LIST

9 LISTE DE PIECES

9 LISTA PARTI

9 LISTA PARTI



9 LISTA PARTI

9 PART LIST

9 LISTE DE PIECES

9 LISTA PARTI

9 LISTA PARTI

**X3 ALU**

Item	Description	Kit	Q.ty	Item	Description	Kit	Q.ty
203	Seal - 35x45x7	Kit A	1	KA32101	Kit A - Seals		1
226	Washer for screw M8	Kit B	3	KB32101	Kit B - Screw&Nuts		1
227	Nut - M8	Kit B	4	KC06101	Kit C - Keys		1
253	Bearing - 6006		1	KD06101	Kit D - Circlips		1
260	Spring washer for screw M8	Kit B	3	KF32101	Kit F - Finger		1
350	Hd cap screw - M5x16	Kit F	1	KS36101	Kit S - Sensor&magnet.		1
417	Hex hd screw - M8x30	Kit C	1				
450	Key - 8X7X60	Kit B	3				
524	Seal - 30x55x10	Kit C	1				
526	Circlip - 55 DIN 472	Kit A	1				
526	Circlip - 30 DIN 471	Kit D	2				
619	Hd cap screw - M6x10	Kit D	2				
639	Washer for screw M8	Kit B	4				
842	Handle	Kit B	4				
906	Spacer	Kit F	1				
907	Hd cap screw - M6x50	Kit F	1				
909	Spring	Kit B	1				
945	Cap	Kit F	1				
956	Clutch nut		1				
964	Magnet	Kit S	1				
965	Sensor	Kit S	1				
980b	Base	Kit S	1				
981	Support		1				
982	Stripper		1				
983b	Cover		1				
984	Hd cap screw - M8x50	Kit B	2				
985	Sld main shaft		1				
986	LP main shaft		1				
988	Clutch cone		2				
988a	Gipsy 8 Iso	Kit F	1				
989b	Gipsy 10 Iso - 3/8" G40		1				
989c	Gipsy 10 Din766		1				
989d	Gipsy 12 Iso - 13 Din766		1				
990	Straker		1				
992	Gasket		1				
998	Finger	Kit F	1				
999a	Gipsy cap		1				
1008	Pivot 8x14	Kit F	1				
1025	Cap		1				
1027	Gearbox		1				
1028a	Electric motor 1600W 12V		1				
1028b	Electric motor 1600W 24V		1				
1029	Drum		1				
1033	Stud - M8x105		4				

B.35.101 Rev. C - Date: 03-2007