

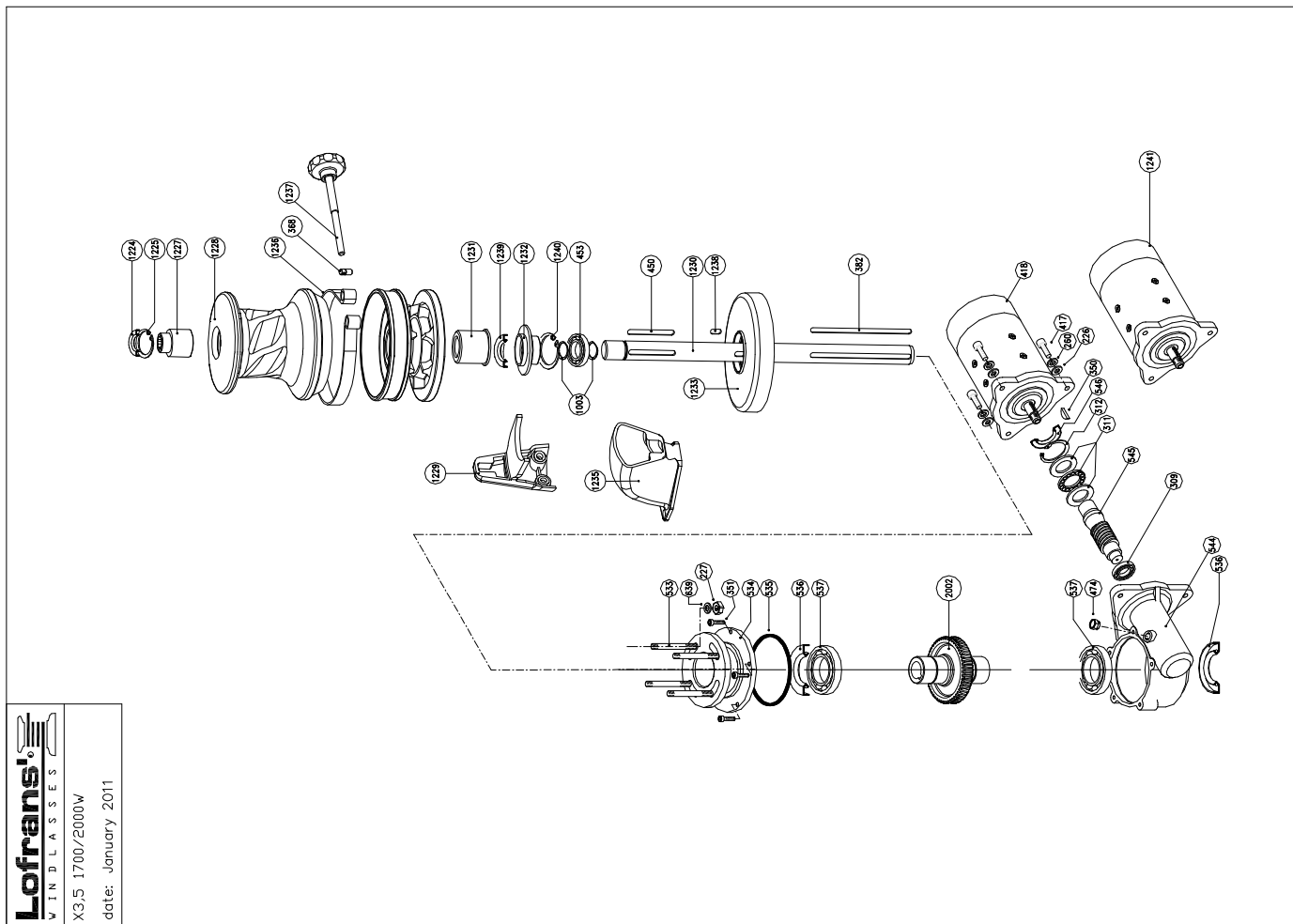
9 LISTA PARTI

9 PART LIST

9 LISTE DE PIÈCES

9 LISTA PARTI

9 LISTA PARTI



Lofrans!
WINDLASSES
X3.5 1700/E000W
date: January 2011

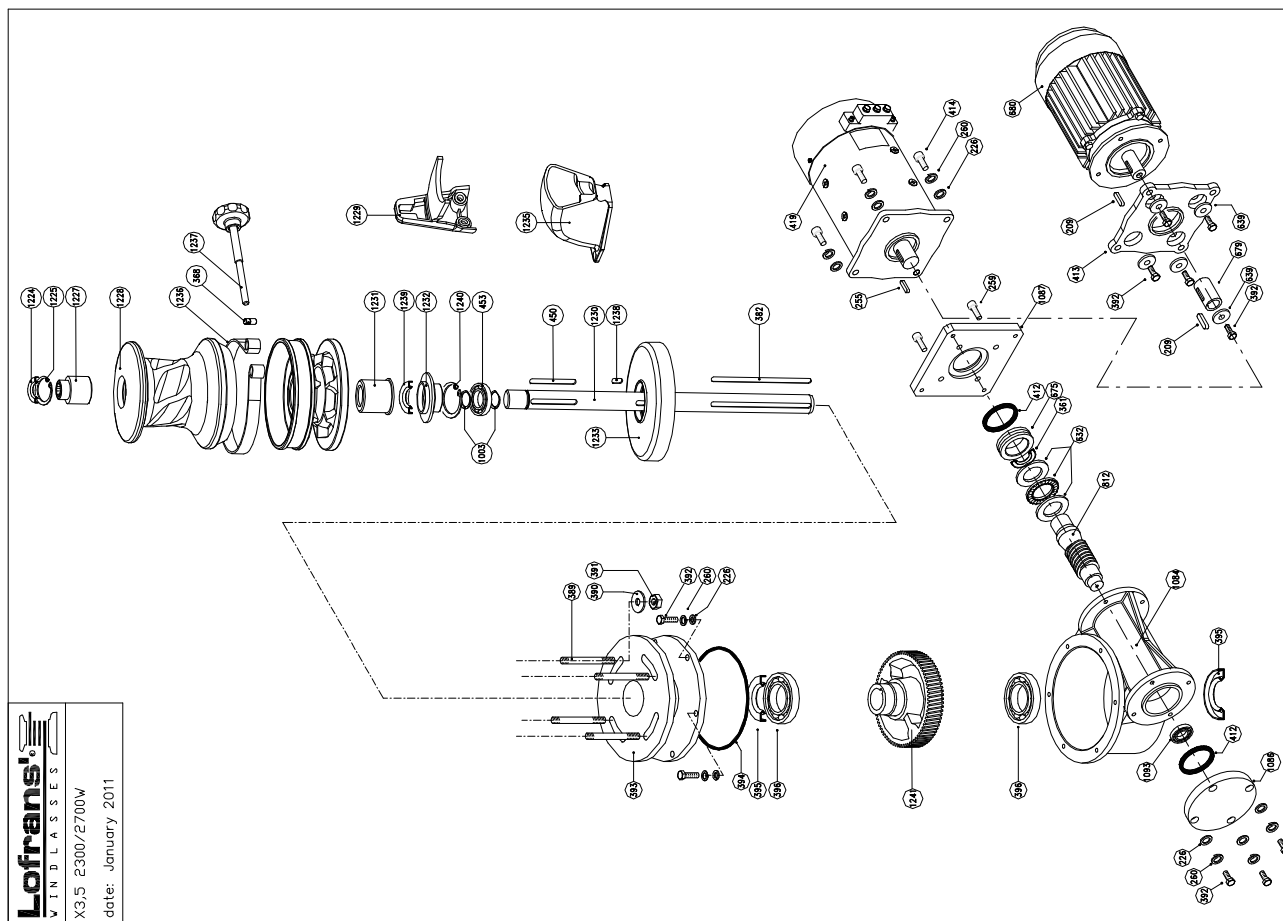
9 LISTA PARTI

9 PART LIST

9 LISTE DE PIECES

9 LISTA PARTI

9 LISTA PARTI



Lofrans!
WINDLASSES
X3,5 2300/2700V
date: January 2011

X 3,5 1700/2000W

Item	Description	Kit	Q.ty
226	Washer for M8 screw	Kit B	3
227	Nut M8	Kit B	4
260	Spring washer for M8 screw	Kit B	3
309	Bearing 6203		1
311	Bearing 51105		1
312	Circlip 43 Din 472	Kit D	1
350	Round key 4x6,5x15	Kit C	1
351	Hd cap screw M6x20	Kit B	5
368	Pivot		1
382	Key - 8x7x160		1
417	Hd cap screw M8x30	Kit B	3
450	Key - 8x7x80		1
453	Bearing 6206		1
534	Gearcase - upper		1
535	Ring seal - 4500	Kit A	1
536	Seal 45-60-7	Kit A	2
537	Bearing 16009		2
544	Gearcase - lower		2
544	Worm		1
546	Seal 25-45-10	Kit A	1
639	Washer	Kit B	4
830	Seal 30-45-8	Kit A	1
1003	Spiral reating ring		2
1224	Seal 30x52x7		1
1225	Circlip - 45 Din 472		1
1227	Clutch nut		1
1228	Drum		1
1229	Stripper		1
1230	Main shaft		1
1231	Barbotin Guide		1
1232	Clutch cone - inner		1
1233	Base		1
1235	Chain guide		1
1236	Band brake		1
1237	Brake shaft		1
1238	Key - 8x7x18		1
1239	Seal 30x45x8		1
1240	Circlip - 62 Din 472		1
2002	Wormwheel		1
418c	Electric motor 1700W 12V		1
418d	Electric motor 1700W 24V		1
533a	Stud M8x110		4

X 3,5 2300/2700W

Item	Description	Kit	Q.ty
209	Key - 6x6x30	Kit C	2
226	Washer for M8 screw	Kit B	14
255	Key - 6x6x25	Kit C	1
259	Hd cap screw - M8x16	Kit B	4
260	Spring wascher for M screw	Kit B	14
361	Seal - 40x50x5	Kit A	1
368	Pivot		1
382	Key - 8x7x160		1
390	Washer for M8 screw	Kit B	4
391	Nut - M10	Kit B	4
392	Hex hd screw - M8x25	Kit B	15
393	Gearcase - upper		1
394	O ring seal - 4625	Kit A	1
395	Seal - 50x70x10	Kit A	2
396	Bearing - 16010		2
412	O ring seal - 153	Kit A	2
413	Motor flange AC motor		1
450	Key - 8x7x80		1
453	Bearing 6206		1
639	Washer	Kit B	5
812	Worm		1
1003	Spiral reating ring		2
1084	Gearcase		1
1086	Sighglass Flange		1
1087	Motor flange DC motor		1
1224	Seal 30x52x7		1
1225	Circlip - 45 Din 472		1
1227	Clutch nut		1
1228	Drum		1
1229	Stripper		1
1230	Main shaft		1
1231	Barbotin Guide		1
1232	Clutch cone - inner		1
1233	Base		1
1235	Chain guide		1
1236	Band brake		1
1237	Brake shaft		1
1238	Key - 8x7x18		1
1239	Seal 30x45x8		1
1240	Circlip - 62 Din 472		1
389a	Stud - M10x140		4
632b	Bearing - 51108		1