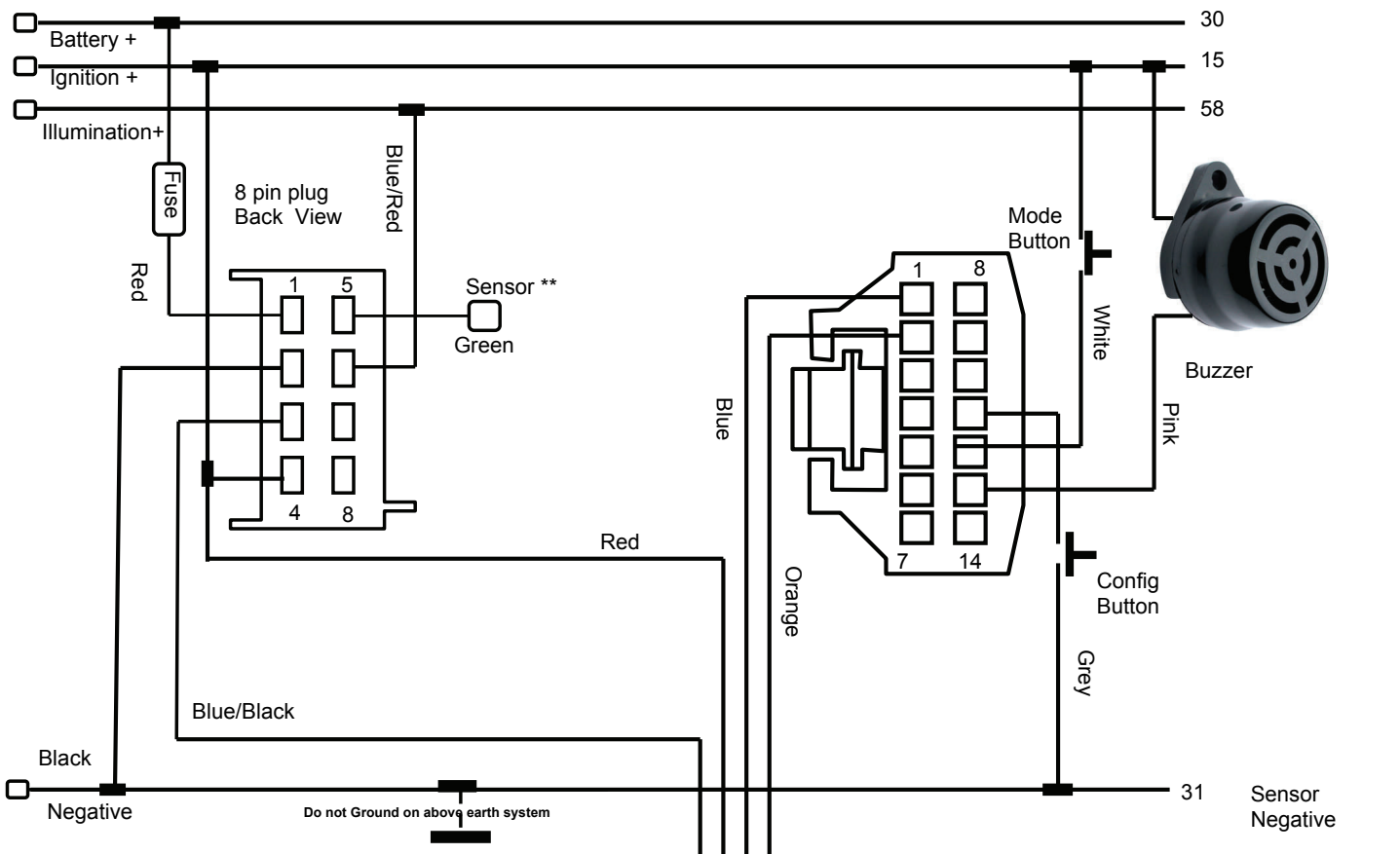


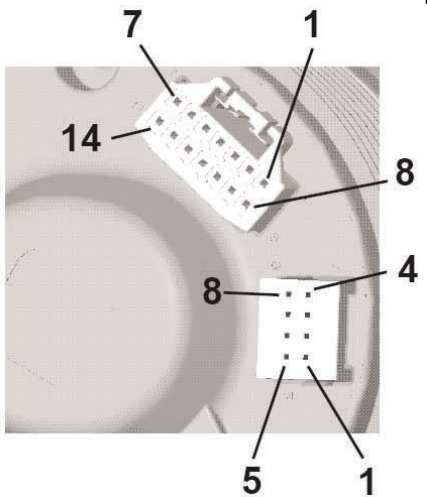
Sumlog electrical diagram



A2C59513503
Sensor to Sumlog, Loom



8 way connector Kit
p/n A2C59510850



Connector Kit 14-pin -
p/n A2C59510851



NMEA0183 Sensor *



Through-Hull Kit



Transom Kit

See page 72 for calibration procedures

Note: * Set input calibration to NMEA0183 (No pulse calibration needed)
 ** Terminal 5 used only for Hall Effect Output Sensors