



**TECMA COMPACT LINE
SPARE PARTS LIST & ACCESSORIES**



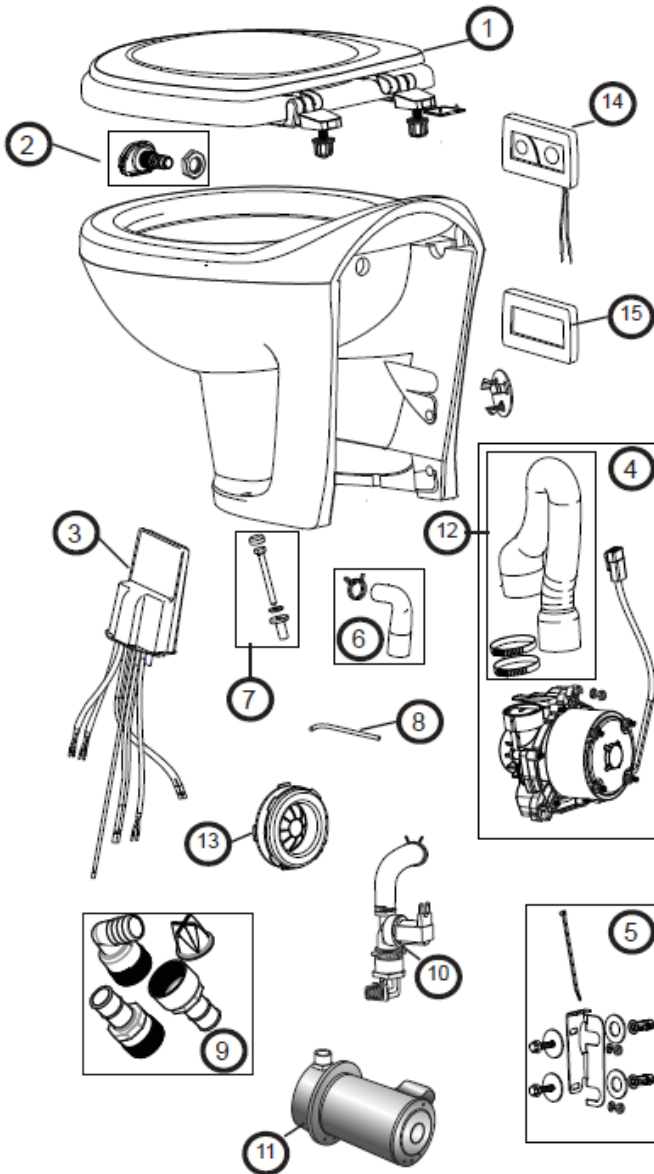
SPARE PARTS LIST COMPACT LINE

MODEL:

- **EASYFIT (PREMIUM PLUS, ECO)**

SPARE PARTS LIST COMPACT LINE

EASYFIT PREMIUM PLUS

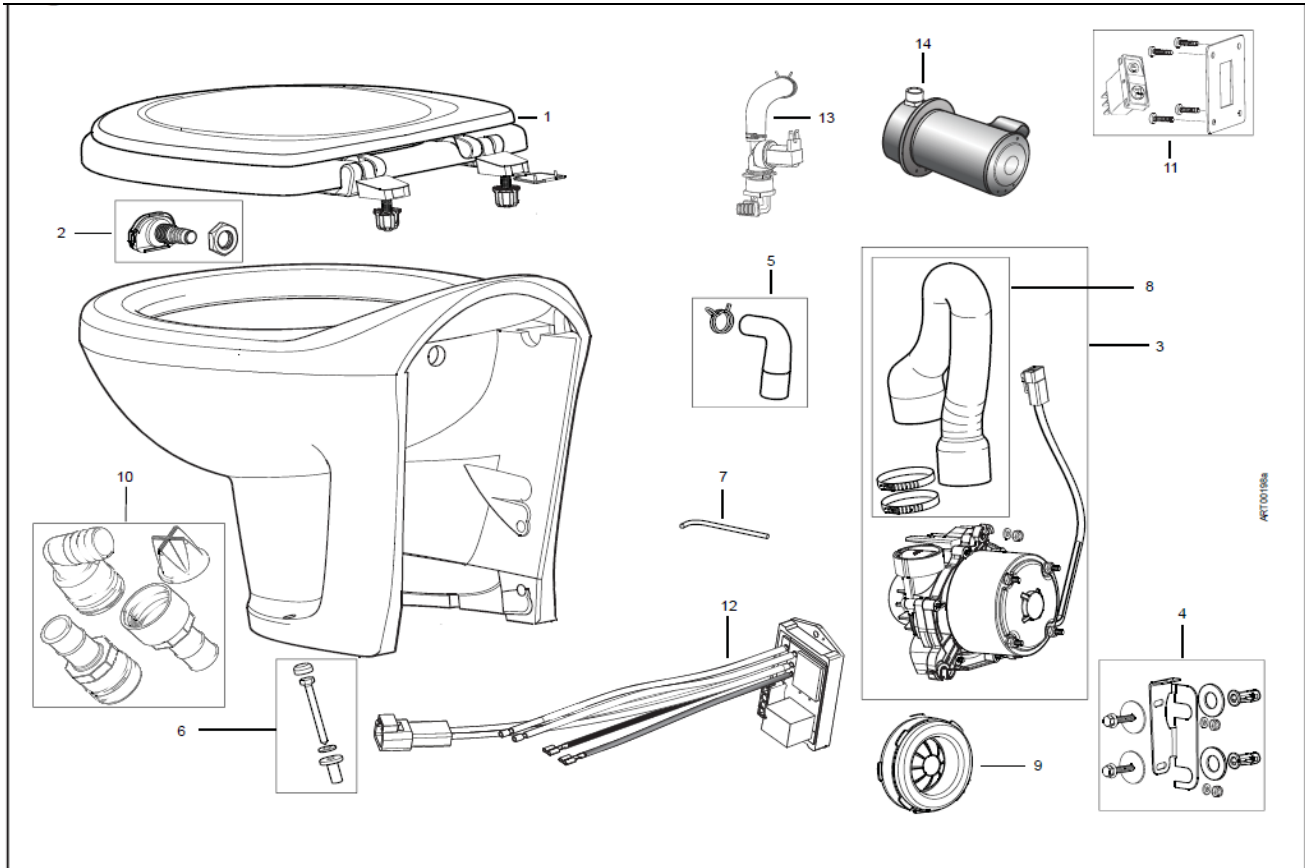


T000030A

No./N°/ N.	DESCRIPTION/DESCRIPTION/ DESCRIPCIÓN
1	Seat and Cover Assembly – White or Bone Ensemble de siège et couvercle – Blanc ou Os Juego de tapa y asiento, color blanco o hueso
2	Nozzle – White or Bone Embout – Blanc ou Os Boquilla, color blanco o hueso
3	Controller Kit Ensemble de contrôleur Juego de controlador
4	Motor Pump – 12V Kit or 24V Kit Pompe à moteur – ens. 12 V ou ens. 24 V Bomba de motor, juego de 12 V o de 24 V
5	Motor Bracket Kit Ensemble de support de moteur Juego de soporte de motor
6	Water Inlet Tube Kit Ensemble de tube d'arrivée d'eau. Juego de tubo de entrada de agua
7	Floor Mount Hardware Kit Quincaillerie de fixation au plancher Juego de componentes de montaje en el piso
8	J Bolt Kit Ensemble de boulon en J Juego de perno en J
9	Lower Discharge Check Valve Kit (Straight or Elbow) Clapet antirefoulement d'évacuation inférieure (orientation verticale ou coudée) Juego de válvula de retención de descarga inferior (recta o codo)
10	Solenoid 12V or 24V Électrovanne 12 V ou 24 V Solenoides, 12 V o 24 V
11	Water Pump Kit 12V or 24V Ensemble de pompe 12 V ou 24 V Juego de bomba de agua, 12 V o 24 V
12	Discharge Tube Kit Ensemble de tuyau d'évacuation Juego de tubo de descarga
13	Grommet Kit Ensemble de bague en plastique Juego de anillo
14	Wall Switch Kit Ensemble d'interrupteur mural Juego de interruptor de pared
15	Wall Switch Frame – Bone or Black Cadre d'interrupteur mural – Os ou Noir Marco de interruptor de pared: color hueso o negro

SPARE PARTS LIST COMPACT LINE

1. EASYFIT ECO



No./ N°/ N.º	Description / Description / Descripción
1	Seat & Cover / Siège et couvercle / Asiento y tapa
2	Nozzle / Embout / Boquilla
3	Pump & Discharge Tube / Pompe et tuyau d'évacuation / Bomba y tubo de descarga
4	Motor Bracket / Support de moteur / Soporte del motor
5	Water Inlet / Prise d'eau / Entrada de agua
6	Floor Mount Hardware / Quincaillerie de fixation au plancher / Herraje de montaje en el piso
7	J-Bolt / Boulon en J / Perno "J"
8	Discharge Tube / Tuyau d'évacuation / Tubo de descarga
9	Grommet / Bague en plastique / Anillo
10	Lower Discharge Check Valve / Clapet antirefoulement pour l'évacuation inférieure / Válvula de retención inferior de descarga
11	Rocker Switch & Bezel / Interrupteur à bascule et plaque / Interruptor oscilante y marco
12	Relay Module / Module de relais / Módulo de relé
13	Solenoid (12V) / Électrovanne (12V) / Solenoide (12 V)
14	Water Pump Kit / Ensemble de pompe à eau / Juego de la bomba de agua



SPARE PARTS LIST COMPACT LINE CODES

EASYFIT ECO & EASYFIT PREMIUM PLUS

REF. ECO	REF Premium Plus	DESCRIPTION	VOLTAGE	CODE
1	1	WHITE SEAT AND COVER REPLACING KIT - EASYFIT		T-PF.PE03
1	1	BONE SEAT AND COVER REPLACING KIT - EASYFIT		T-PF.PE04
2	2	WHITE WATER INLET NOZZLE KIT / RAW WATER PREMIUM PLUS FITTING KIT		T-PF.P03/B
2	2	PERGAMON WATER INLET NOZZLE KIT / RAW WATER PREMIUM PLUS FITTING KIT		T-PF.P03/P
	3	CONTROLLER PREMIUM PLUS		T-PF.PE07
12		CONTROLLER ECO	12 volts	T- CONTROLLER ECO24
12		CONTROLLER ECO	24 volts	T- CONTROLLER ECO12
3	4	MACERATOR PUMP KIT MAC4 12v (L) (WITH LONG DISCHARGE HOSE)	12 volts	T-PF.PE09
3	4	MACERATOR PUMP KIT MAC4 24V (L) (WITH LONG DISCHARGE HOSE)	24 volts	T-PF.PE10
7	8	J-BOLT KIT - EASYFIT		T.PF.PE14
6	7	FLOOR MOUNTING HARDWARE - EASYFIT		T.PF.PE17
5	6	WATER INLET TUBE KIT		T.PF.PE16
4	5	MOTOR BRACKET KIT - EASYFIT		T-PF.PE11
10	9	LOWER DISCHARGE CHECK VAL VE (DOUBLE DUCK-BILL)		T-PF.P86
13	10	SOLENOID COMPACT LINE	12 volts	T-614
13	10	SOLENOID COMPACT LINE	24 volts	T-615
14	11	RAW WATER INLET PUMP	12 volts	T-PF.P27
14	11	RAW WATER INLET PUMP	24 volts	T-PF.P28
8	12	LONG DISCHARGE TUBE KIT		T-PF.PE08
8	12	SHORT DISCHARGE TUBE KIT		T-786
9	13	GROMMET KIT		T-PF.PE15
11+13		ECO CONTROL PANEL KIT (SOLENOID kit + ROCKER SWITCH W/HARNESS) 12V	12 volts	T-PF.PE21
11+13		ECO CONTROL PANEL KIT (SOLENOID kit ++ ROCKER SWITCH W/HARNESS)) 24V	24 volts	T-PF.PE22
	14	PREMIUM PLUS CONTROL PANEL		T-PF.PE13
	15	CONTROL PANEL FRAME - PREMIUM PLUS BONE		T-PF.PE01
	15	CONTROL PANEL FRAME - PREMIUM PLUS BLACK		T-PF.PE02
NOT SHOWN		ECO CONTROL PANEL KIT RAW WATER (HARNESS + ROCKER SWITCH) 12V		T-PF.PE23
NOT SHOWN		ECO CONTROL PANEL KIT RAW WATER (HARNESS + ROCKER SWITCH) 24		T-PF.PE24
NOT SHOWN		TANK SENSOR FULL TANK KIT		T-PF.PE18



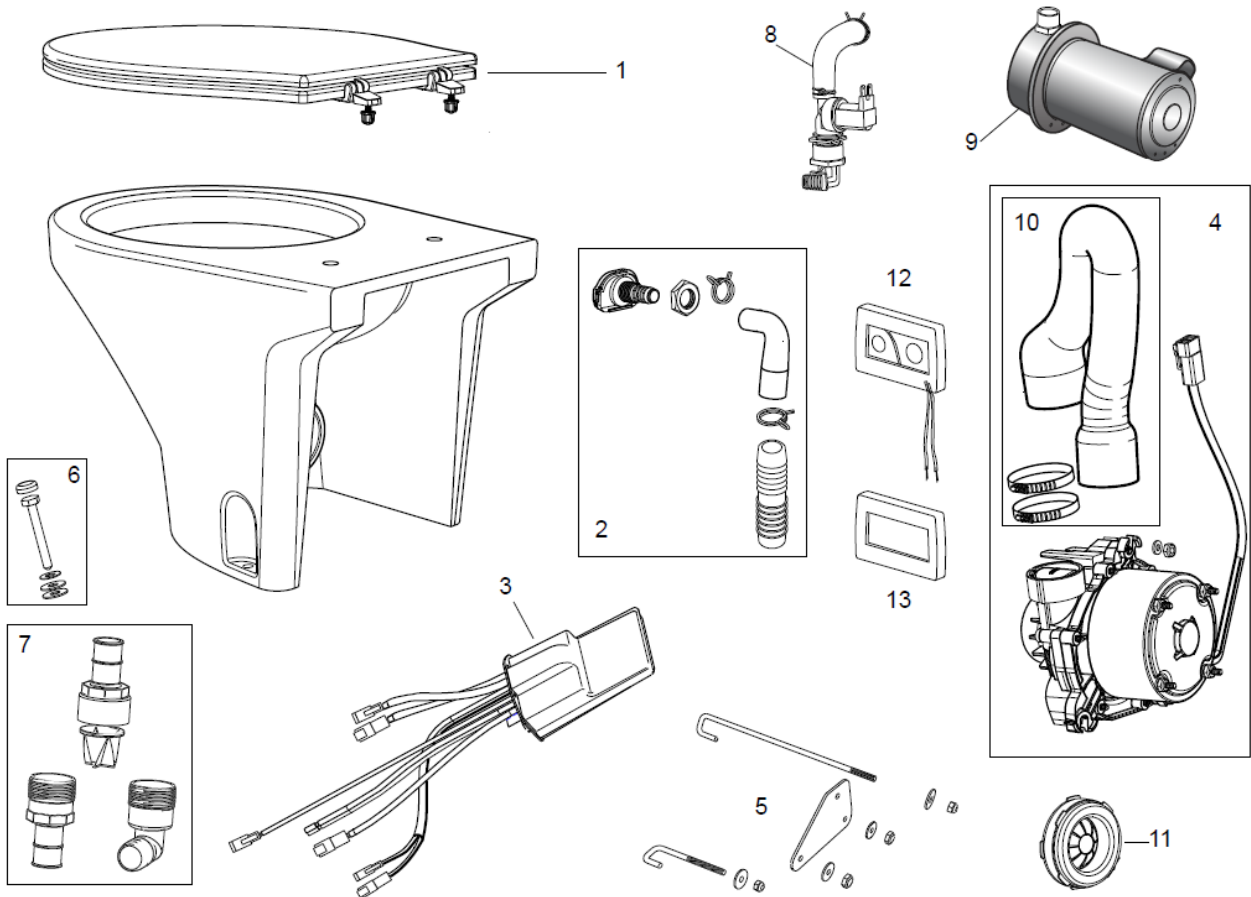
SPARE PARTS LIST COMPACT LINE

MODELS:

- **COMPASS (PREMIUM PLUS, ECO)**
- **NANO (PREMIUM PLUS, ECO)**

SPARE PARTS LIST COMPACT LINE

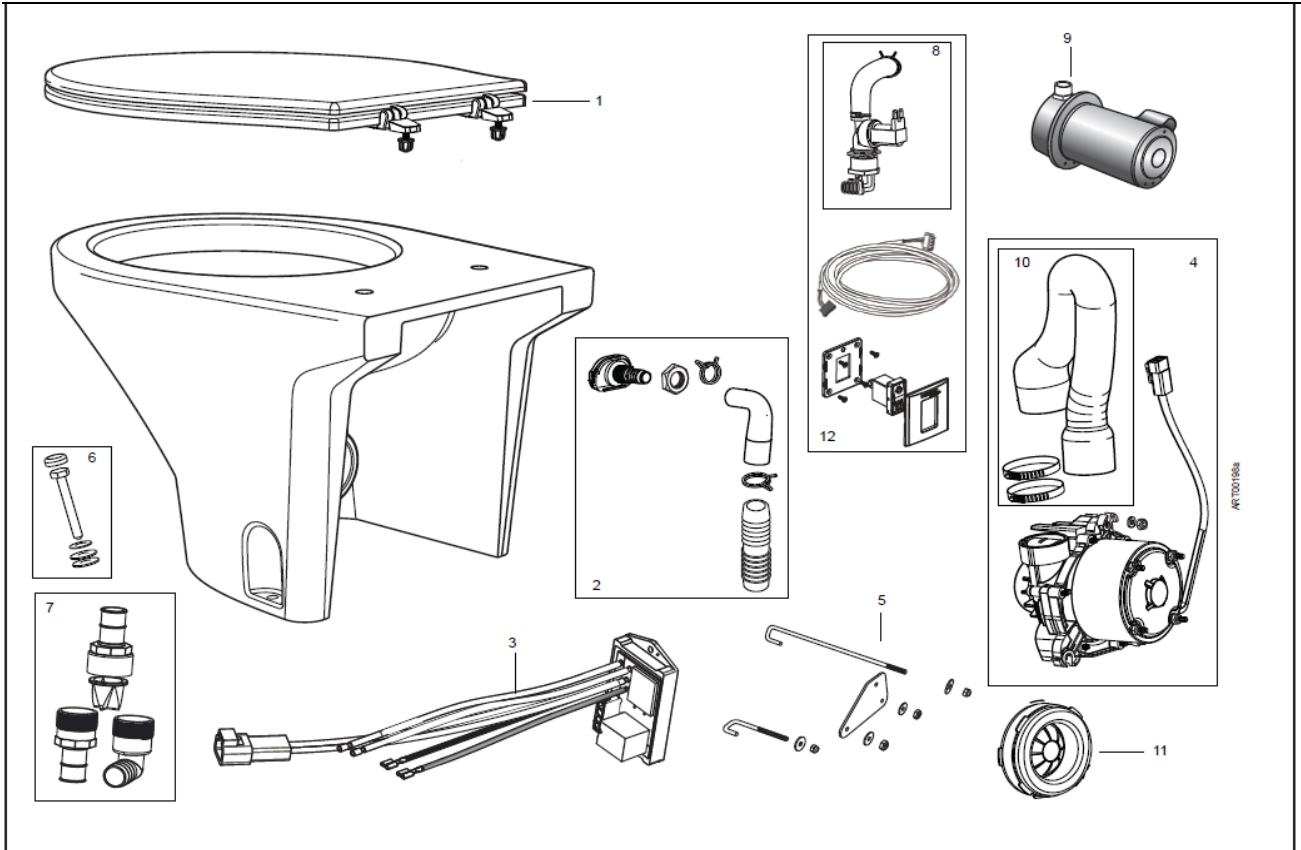
1. COMPASS PREMIUM PLUS



No./	Description
1	Seat & Cover
2	Inlet Nozzle Kit
3	Controller Premium
4	Motor Pump kit (S)
5	J-Bolt kit
6	Floor Mount Hardware
7	Lower Discharge Check Valve (Double Duck Bill)
8	Invensys Solenoid 12V/ 24V
9	Raw Water Pump 12V/24V
10	Short Discharge Tube Kit
11	Grommet
12	Wall Switch Kit
13	Wall Switch Kit

SPARE PARTS LIST COMPACT LINE

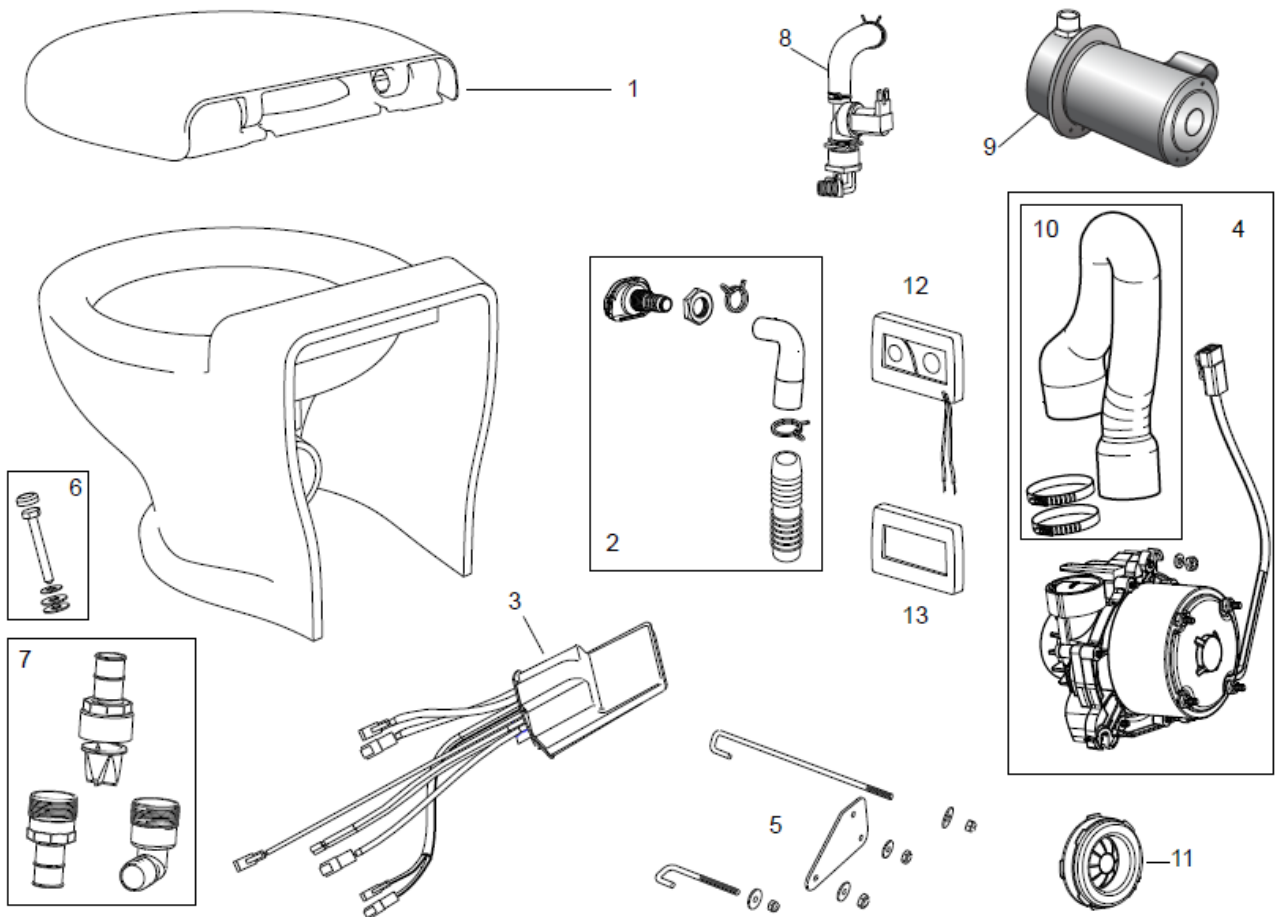
2. COMPASS ECO



No./	Description
1	Seat & Cover
2	Inlet Nozzle Kit
3	Controller Eco
4	Motor Pump kit (S)
5	J-Bolt kit
6	Floor Mount Hardware
7	Lower Discharge Check Valve (Double Duck Bill)
8	Invensys Solenoid 12V/ 24V
9	Raw Water Pump 12V/24V
10	Short Discharge Tube Kit
11	Grommet
12	ECO Solenoid/Rocker Switch Kit

SPARE PARTS LIST COMPACT LINE

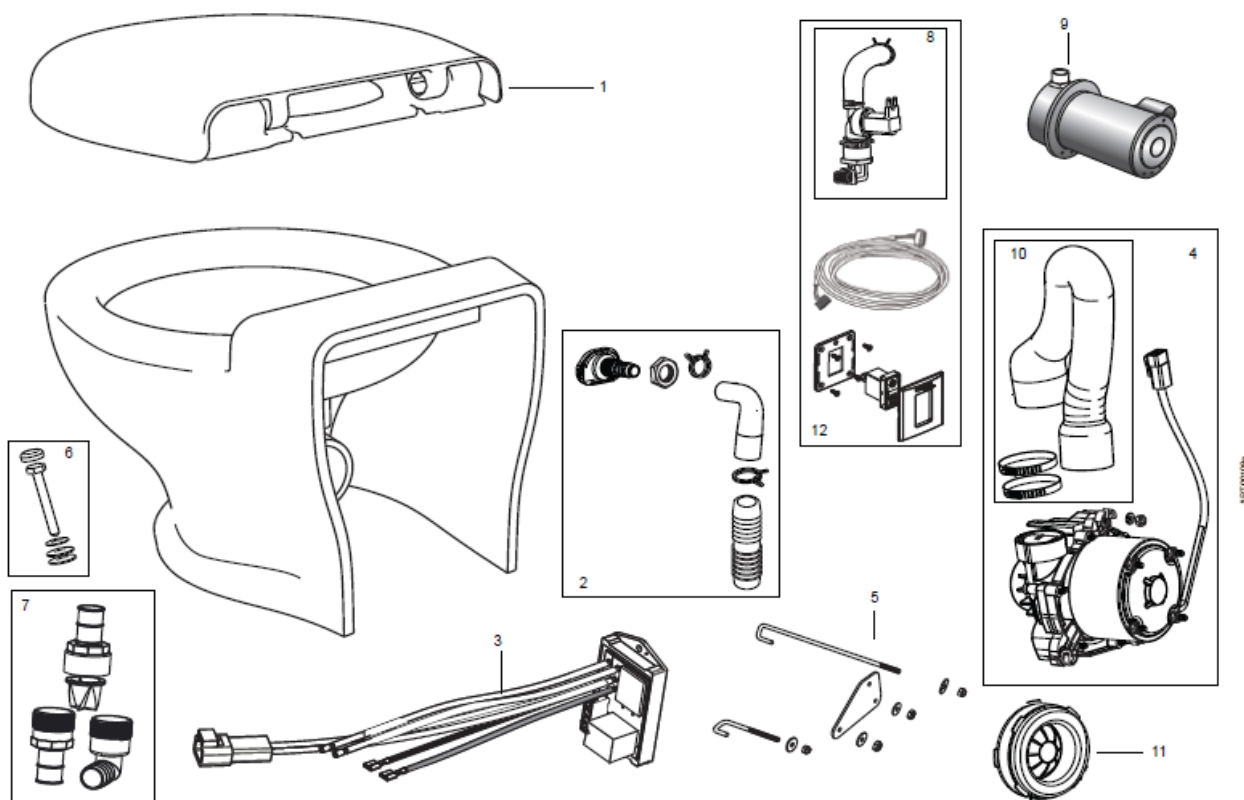
3. NANO PREMIUM PLUS



No./	Description
1	Seat & Cover
2	Inlet Nozzle Kit
3	Controller Premium
4	Motor Pump kit (S)
5	J-Bolt kit
6	Floor Mount Hardware
7	Lower Discharge Check Valve (Double Duck Bill)
8	Invensys Solenoid 12V/ 24V
9	Raw Water Pump 12V/24V
10	Short Discharge Tube Kit
11	Grommet
12	Wall Switch Kit
13	Wall Switch Kit

SPARE PARTS LIST COMPACT LINE

4. NANO ECO



No./	Description
1	Seat & Cover
2	Inlet Nozzle Kit
3	Controller Eco
4	Motor Pump kit (S)
5	J-Bolt kit
6	Floor Mount Hardware
7	Lower Discharge Check Valve (Double Duck Bill)
8	Invensys Solenoid 12V/ 24V
9	Raw Water Pump 12V/24V
10	Short Discharge Tube Kit
11	Grommet
12	ECO Solenoid/Rocker Switch Kit



SPARE PARTS LIST COMPACT LINE CODES:

- **NANO ECO & NANO PREMIUM PLUS**
- **COMPASS ECO & COMPASS PREMIUM PLUS**

REF. ECO	REF Premium Plus	DESCRIPTION	VOLTAGE	CODE
1	1	WHITE SEAT AND COVER SOFT CLOSING REPLACING KIT - COMPASS		T-781TBFR
1	1	WHITE SEAT AND COVER SOFT CLOSING REPLACING KIT - NANO		T-236TB
2	2	WHITE WATER INLET NOZZLE KIT / RAW WATER PREMIUM PLUS FITTING KIT		T-PF.P03/B
2	2	PERGAMON WATER INLET NOZZLE KIT / RAW WATER PREMIUM PLUS FITTING KIT		T-PF.P03/P
3	3	CONTROLLER PREMIUM PLUS		T-PF.PE07
3	3	CONTROLLER ECO	12 volts	T- CONTROLLER ECO24
3	3	CONTROLLER ECO	24 volts	T- CONTROLLER ECO12
4	4	MACERATOR PUMP KIT MAC4 12V (S) (WITH SHORT DISCHARGE HOSE T-786)	12 volts	T-PF.P01C
4	4	MACERATOR PUMP KIT MAC4 24V (S) (WITH SHORT DISCHARGE HOSE T-786)	24 volts	T-PF.P01D
5	5	J-BOLT / MOTOR BRACKET KIT - NANO / COMPASS		T-PF.P88
6	6	FLOOR MOUNTING HARDWARE - COMPASS/NANO		T.PF.P80
7	7	LOWER DISCHARGE CHECK VAL VE (DOUBLE DUCK-BILL)		T-PF.P86
8	8	SOLENOID COMPACT LINE 12V	12 volts	T-614
8	8	SOLENOID COMPACT LINE 24V	24 volts	T-615
9	9	RAW WATER INLET PUMP 12V	12 volts	T-PF.P27
9	9	RAW WATER INLET PUMP 24V	24 volts	T-PF.P28
10	10	SHORT DISCHARGE TUBE KIT		T-786
11	11	GROMMET KIT		T-PF.PE15
12		ECO CONTROL PANEL KIT (SOLENOID kit +HARNESS + ROCKER SWITCH) 12V	12 volts	T-PF.PE21
12		ECO CONTROL PANEL KIT (SOLENOID kit +HARNESS + ROCKER SWITCH) 24V	24 volts	T-PF.PE22
	12	PREMIUM PLUS CONTROL PANEL		T-PF.PE13
	13	CONTROL PANEL FRAME - PREMIUM PLUS BONE		T-PF.PE01
	13	CONTROL PANEL FRAME - PREMIUM PLUS BLACK		T-PF.PE02
NOT SHOWN		ECO CONTROL PANEL KIT RAW WATER (HARNESS + ROCKER SWITCH) 12V		T-PF.PE23
NOT SHOWN		ECO CONTROL PANEL KIT RAW WATER (HARNESS + ROCKER SWITCH) 24V		T-PF.PE24
NOT SHOWN		TANK SENSOR FULL TANK KIT		T-PF.PE18



SPARE PARTS LIST ACCESSORIES CODES:

- **ACCESSORIES**

DESCRIPTION	ITEM	CODE
INVENSYS ADAPTER FOR TOILET EMBEDDED SOLUTION	PLUMBING	T-PF.P89
INLET SIPHON BREAK	PLUMBING	T-PF.P08
OUTLET SIPHON BREAK	PLUMBING	T-PF.P04
MID TANK SENSOR / FOR COMPACT RANGE	WIRING	T-PF.PE19